

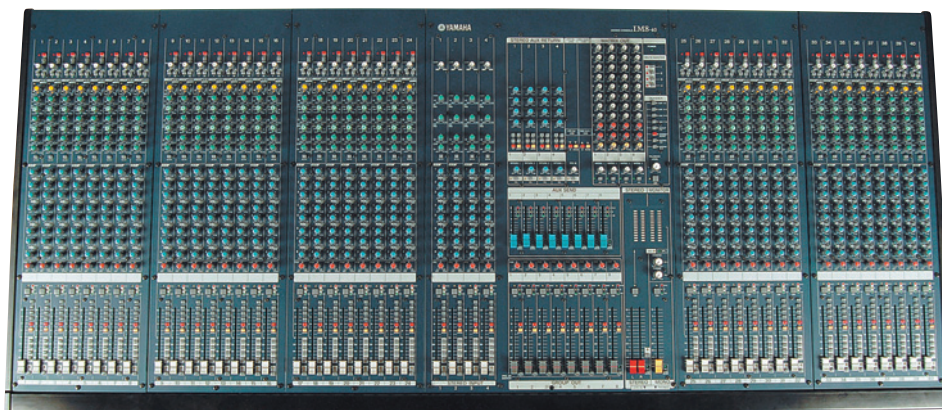
MIXING CONSOLE

IM8-40/IM8-32/IM8-24

SERVICE MANUAL

OPTION (オプション)

- POWER SUPPLY
PW8
- POWER SUPPLY LINK CABLE
PSL1010



IM8-40 Please refer to the page 3 and page 4 for products photos.
本体写真は、本文 P3 と P4 を参照ください。

■ CONTENTS (目次)

SPECIFICATIONS (総合仕様)	5
PANEL LAYOUT (パネルレイアウト)	9
DIMENSIONAL DIAGRAM (寸法図)	16
CIRCUIT BOARD LAYOUT (ユニットレイアウト)	18
DISASSEMBLY PROCEDURE (分解手順)	20
LSI PIN DESCRIPTION (LSI 端子機能表)	45
IC BLOCK DIAGRAM (IC ブロック図)	46
CIRCUIT BOARDS (シート基板図)	47
INSPECTIONS (検査)	103/114
PARTS LIST	
BLOCK DIAGRAM (ブロックダイアグラム)	
OVERALL CONNECTOR CIRCUIT DIAGRAM (総コネクタ接続回路図)	
CIRCUIT DIAGRAM (回路図)	

PA 011911

IM8-24: 200807 オープンブライズ
IM8-32: 200807 オープンブライズ
IM8-40: 200807 オープンブライズ

PW8: 200807 オープンブライズ
PSL1010: 200807 オープンブライズ

 **YAMAHA**

HAMAMATSU, JAPAN

Copyright (c) Yamaha Corporation. All rights reserved. PDF KM 08.07

IMPORTANT NOTICE

This manual has been provided for the use of authorized Yamaha Retailers and their service personnel. It has been assumed that basic service procedures inherent to the industry, and more specifically Yamaha Products, are already known and understood by the users, and have therefore not been restated.

WARNING : Failure to follow appropriate service and safety procedures when servicing this product may result in personal injury, destruction of expensive components and failure of the product to perform as specified. For these reasons, we advise all Yamaha product owners that all service required should be performed by an authorized Yamaha Retailer or the appointed service representative.

IMPORTANT : This presentation or sale of this manual to any individual or firm does not constitute authorization certification, recognition of any applicable technical capabilities, or establish a principal-agent relationship of any form.

The data provided is believed to be accurate and applicable to the unit(s) indicated on the cover. The research engineering, and service departments of Yamaha are continually striving to improve Yamaha products. Modifications are, therefore, inevitable and changes in specification are subject to change without notice or obligation to retrofit. Should any discrepancy appear to exist, please contact the distributor's Service Division.


WARNING : Static discharges can destroy expensive components. Discharge any static electricity your body may have accumulated by grounding yourself to the ground bus in the unit (heavy gauge black wires connect to this bus.)

IMPORTANT : Turn the unit OFF during disassembly and parts replacement. Recheck all work before you apply power to the unit.

WARNING: This product contains chemicals known to the State of California to cause cancer, or birth defects or other reproductive harm. DO NOT PLACE SOLDER, ELECTRICAL/ELECTRONIC OR PLASTIC COMPONENTS IN YOUR MOUTH FOR ANY REASON WHAT SO EVER! Avoid prolonged, unprotected contact between solder and your skin! When soldering, do not inhale solder fumes or expose eyes to solder/flux vapor!

If you come in contact with solder or components located inside the enclosure of this product, wash your hands before handling food.

■ WARNING

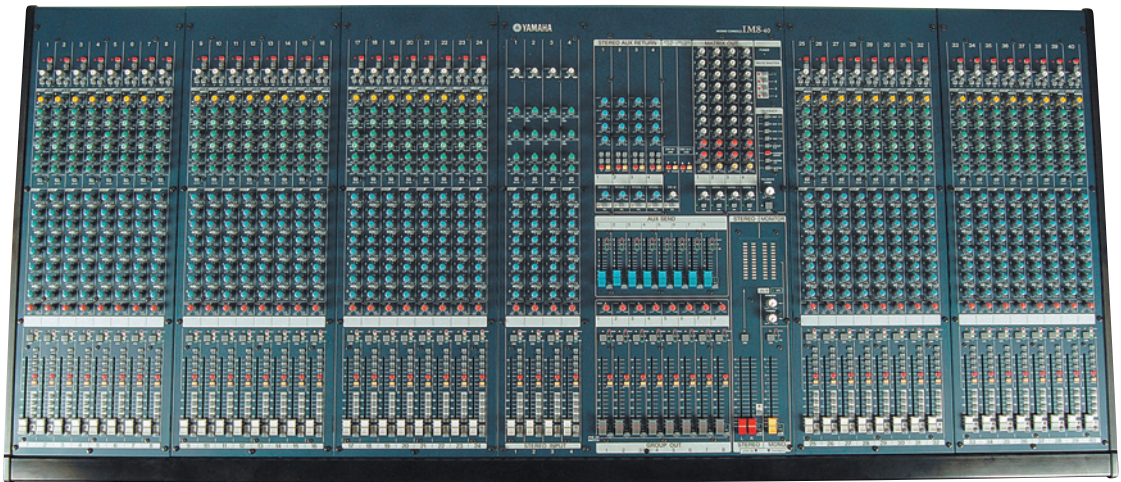
Components having special characteristics are marked  and must be replaced with parts having specification equal to those originally installed.

 印の部品は、安全を維持するために重要な部品です。交換する場合は、安全のために必ず指定の部品をご使用ください。

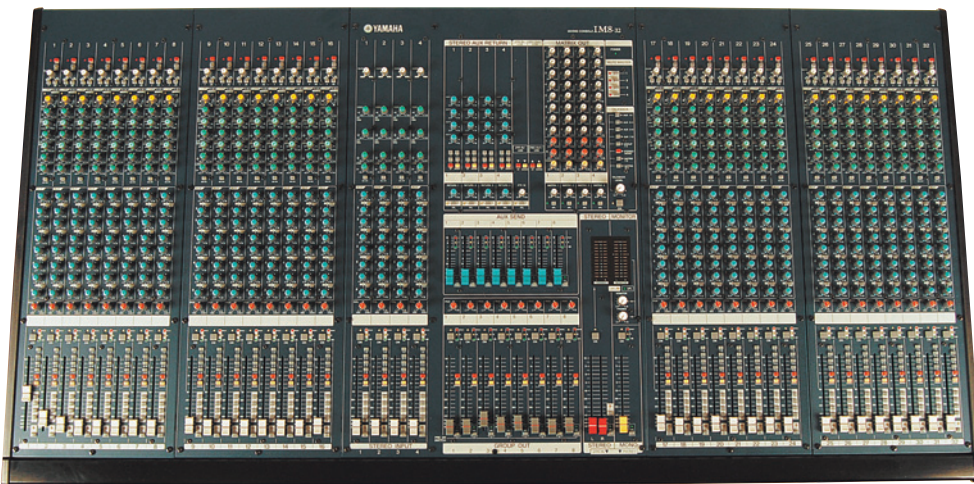


Take care not to trap your fingers.

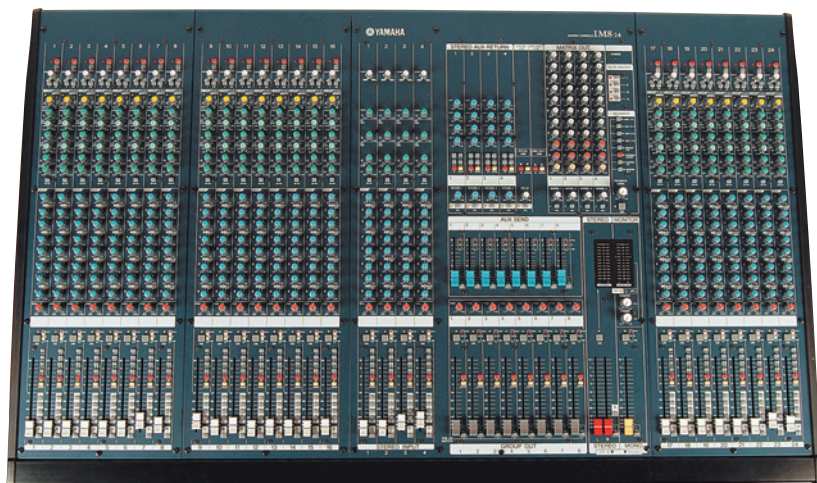
(作業中は指を挟まない様に注意してください。)



IM8-40



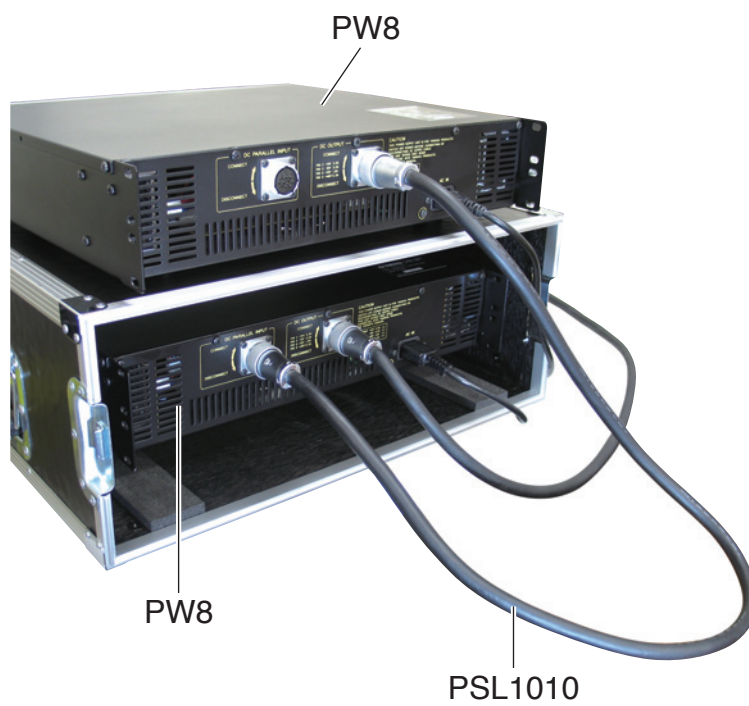
IM8-32



IM8-24



PW8



PW8

PW8

PSL1010

SPECIFICATIONS (総合仕様)

Electrical Specifications

			MIN	TYP	MAX	UNIT
Frequency Response	STEREO OUT	GAIN: min (MONO CH INPUT*, ST CH INPUT 1-4) 20 Hz-20 kHz Nominal output level @ 1 kHz Input: MONO CHs*, ST CHs 1-4, AUX RETURN, 2TR IN	-3.0	0.0	1.0	dB
	GROUP OUT AUX SEND MONITOR OUT REC OUT					
Total Harmonic Distortion (THD + N)	STEREO OUT	+14 dBu @ 20 Hz-20 kHz, GAIN: min			0.1	%
Hum & Noise Hum & Noise are measured with a 6 dB/octave filter @ 12.7 kHz; equivalent to a 20 kHz filter with infinite dB/octave attenuation.	MONO CH INPUT*	EIN (Equivalent Input Noise) Rs = 150 Ω, GAIN: max			-128	dBu
	STEREO OUT GROUP OUT	STEREO OUT, GROUP OUT faders at nominal level and all CH assign switches off.			-80	dBu
	AUX SEND	AUX SEND faders at nominal level and all CH AUX controls at minimum.			-75	dBu
	STEREO OUT GROUP OUT	STEREO OUT, GROUP OUT faders and one CH fader at nominal level.			-64	dBu
	STEREO OUT	Residual output noise			-98	dBu
Crosstalk (1 kHz)	Adjacent Input	MONO CH INPUT*, GAIN: min			-70	dB
	Input to Output	STEREO OUT L/R, MOMO CH INPUT*, PAN: panned hard left or right			-70	dB
Maximum Voltage Gain (1 kHz) All faders and controls are maximum when measured. PAN/BAL: panned hard left or hard right.	Rs = 150 Ω INPUT GAIN: max From MONO CH INPUT*	INSERT OUT (MONO CH)		60		dB
		DIRECT OUT (MONO CH)		60		dB
		INSERT OUT (STEREO, GROUP, MONO)		70		dB
		STEREO OUT		84		dB
		GROUP OUT				
		MATRIX OUT		90		dB
		REC OUT		62.2		dB
		MONO OUT		84		dB
		MONITOR OUT		70		dB
		PHONES OUT		79		dB
		AUX SEND, PRE		80		dB
		AUX SEND, POST		90		dB
		INSERT OUT (AUX), PRE		66		dB
		INSERT OUT (AUX), POST		76		dB
	Rs = 150 Ω INPUT GAIN: max From ST CH INPUT 1-4	STEREO OUT		58		dB
		GROUP OUT				
		AUX SEND, PRE		51		dB
		AUX SEND, POST		61		dB
	From AUX RETURN	STEREO OUT		16		dB
		GROUP OUT				
		AUX SEND			13	
	From 2TR IN	STEREO OUT		27.8		dB
From TALKBACK MIC IN	STEREO OUT		70		dB	
	GROUP OUT					
	AUX OUT					

All faders are nominal when measured. (The nominal position is 10 dB lower than the maximum position.)

Output impedance of signal generator: 150 ohms

* IM8-40: 1-40, IM8-32: 1-32, IM8-24: 1-24

General Specifications

Input HPF	MONO CH INPUT*	80 Hz, 12 dB/oct
Input Equalization (+15, -15 dB maximum) Turn over/roll-off frequency of shelving: 3 dB below maximum variable level.	MONO CH INPUT*	HIGH: 10 kHz (shelving) Hi-MID: 400 Hz-8 kHz (peaking) LO-MID: 80 Hz-1.6 kHz (peaking) LOW: 100 Hz (shelving)
	ST CH INPUT	HIGH: 10 kHz (shelving) Hi-MID: 3 kHz (peaking) LO-MID: 800 Hz (peaking) LOW: 100 Hz (shelving)
LAMP IM8-40: 3 pcs, IM8-32/24: 2 pcs	XLR-4-31 type, The LAMP voltage is 12 V DC between 3 and 4 pins of XLR-4-31 connectors. Each lamp can use 5 W max.	
Signal Indicator	MONO CH INPUT* ST CH INPUT 1-4 INSERT OUT	3 points LED meter (PEAK, 0, -20 dB) PEAK lights if the signal reaches 3 dB below the clipping level.
	GROUP OUT, AUX SEND, MONO OUT	
LED Level Meter	Post STEREO OUT fader Pre MONITOR control	4 x 12 points LED meters (PEAK, +10, +6, +3, 0, -3, -6, -10, -15, -20, -25, -30 dB)
USB Audio	USB IN/OUT	Sampling Frequency = 44.1/48 kHz (depending on the PC application)
Compressor	MONO CH INPUT*	Control x 1 (gain/threshold/ratio)
Dimensions	Height: 219 mm, Depth: 739 mm, Width: 1716 mm (IM8-40), 1471.5 mm (IM8-32), 1227 mm (IM8-24)	
Net Weight	51.5 kg (IM8-40), 44.4 kg (IM8-32), 37.8 kg (IM8-24)	

All faders are nominal when measured. (The nominal position is 10 dB lower than the maximum position.)

Output impedance of signal generator: 150 ohms

* IM8-40: 1-40, IM8-32: 1-32, IM8-24: 1-24

Analog Input Specifications

Input Connectors	PAD	GAIN	Input Impedance	Appropriate Impedance	Sensitivity*	Nominal Level	Max. before clipping	Connector Specifications
INPUT A (MONO CHs) IM8-40: 1-40 IM8-32: 1-32 IM8-40: 1-24	0	-60 dB	3 kΩ	50-600 Ω Mics	-80 dBu (0.078 mV)	-60 dBu (0.775 mV)	-40 dBu (7.75 mV)	XLR-3-31type (balanced [1=GND, 2=HOT, 3=COLD])
		-16 dB			-36 dBu (12.3 mV)	-16 dBu (123 mV)	+4 dBu (1.23 V)	
	26 dB	-34 dB			-54 dBu (1.55 mV)	-34 dBu (15.5 mV)	-14 dBu (155 mV)	
		+10 dB			-10 dBu (245 mV)	+10 dBu (2.45 V)	+30 dBu (24.5 V)	
INPUT B (MONO CHs) IM8-40: 1-40 IM8-32: 1-32 IM8-40: 1-24	0	-60 dB	10 kΩ	600 Ω Mics/Lines	-80 dBu (0.078 mV)	-60 dBu (0.775 mV)	-40 dBu (7.75m V)	TRS phone jack (balanced [Tip = HOT, Ring = COLD, Sleeve = GND])
		-16 dB			-36 dBu (12.3 mV)	-16 dBu (123 mV)	+4 dBu (1.23 V)	
	26 dB	-34 dB			-54 dBu (1.55 mV)	-34 dBu (15.5 mV)	-14 dBu (155 mV)	
		+10 dB			-10 dBu (245 mV)	+10 dBu (2.45 V)	+30 dBu (24.5 V)	
INPUT A/B (ST CHs)	-	-34 dB	10 kΩ	600 Ω Lines	-54 dBu (1.55 mV)	-34 dBu (15.5 mV)	-14 dBu (155 mV)	Phone jack (unbalanced) RCA pin jack
		+10 dB			-10 dBu (245 mV)	+10 dBu (2.45 V)	+30 dBu (24.5 V)	
INSERT IN (MONO CHs) IM8-40: 1-40 IM8-32: 1-32 IM8-40: 1-24	-	-	10 kΩ	600 Ω Lines	-20 dBu (77.5 mV)	0 dBu (0.775 V)	+20 dBu (7.75 V)	TRS phone jack (unbalanced [Tip = Out, Ring = In, Sleeve = GND])
INSERT IN (AUX, GROUP, STEREO, MONO)	-	-	10 kΩ	600 Ω Lines	-10 dBu (245 mV)	0 dBu (0.775 V)	+10 dBu (2.45 V)	TRS phone jack (unbalanced [Tip = Out, Ring = In, Sleeve = GND])
AUX RETURN 1-4	-	-	10 kΩ	600 Ω Lines	-12 dBu (195 mV)	+4 dBu (1.23 V)	+24 dBu (12.3 V)	Phone jack (unbalanced)
2TR IN L/R	-	-	10 kΩ	600 Ω Lines	-26 dBV (50.1 mV)	-10 dBV (0.316 V)	+10 dBV (3.16 V)	RCA pin jack
								3.5 DIA stereo phone jack
TALKBACK MIC IN	-	-	10 kΩ	600 Ω Lines	-66 dBu (0.389 mV)	-50 dBu (2.45 mV)	-30 dBu (24.5 mV)	XLR-3-31 type (unbalanced)

Where 0 dBu = 0.775 Vrms and 0 dBV = 1 Vrms

* Sensitivity is the lowest level that will produce an output of +4dB (1.23 V), or the nominal output level when the unit is set to the maximum level. (All faders and level controls are at their maximum positions.)

Analog Output Specifications



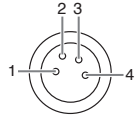
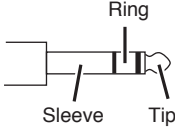
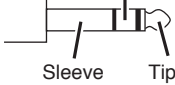
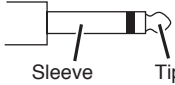
Output Connectors	Output Impedance	Appropriate Impedance	Nominal Level	Max. before clipping	Connector Specifications
STEREO OUT L/R	75 Ω	600 Ω Lines	+4 dBu (1.23 V)	+24 dBu (12.3 V)	XLR-3-32 type (balanced [1 = GND, 2 = HOT, 3 = COLD])
GROUP OUT 1-8	150 Ω	10 k Ω Lines	+4 dBu (1.23 V)	+20 dBu (7.75 V)	TRS phone jack (impedance balanced [Tip = HOT, Ring = COLD, Sleeve = GND])
AUX SEND 1-8	75 Ω	600 Ω Lines	+4 dBu (1.23 V)	+24 dBu (12.3 V)	XLR-3-32 type (balanced [1 = GND, 2 = HOT, 3 = COLD])
MATRIX OUT 1-8	150 Ω	10 k Ω Lines	+4 dBu (1.23 V)	+20 dBu (7.75 V)	TRS phone jack (impedance balanced [Tip = HOT, Ring = COLD, Sleeve = GND])
MONO OUT	75 Ω	600 Ω Lines	+4 dBu (1.23 V)	+24 dBu (12.3 V)	XLR-3-32 type (balanced [1 = GND, 2 = HOT, 3 = COLD])
INSERT OUT (MONO CHs)	150 Ω	10 k Ω Lines	0 dBu (0.775 V)	+20 dBu (7.75 V)	Phone jack (unbalanced [Tip: Out, Ring = In, Sleeve = GND])
INSERT OUT (AUX, GROUP, STEREO, MONO)	150 Ω	10 k Ω Lines	0 dBu (0.775 V)	+20 dBu (7.75 V)	Phone jack (unbalanced [Tip: Out, Ring = In, Sleeve = GND])
DIRECT OUT (MONO CHs)	150 Ω	10 k Ω Lines	0 dBu (0.775 V)	+20 dBu (7.75 V)	TRS phone jack (impedance balanced [Tip = HOT, Ring = COLD, Sleeve = GND])
REC OUT L/R	600 Ω	10 k Ω Lines	-10 dBV (0.3016 V)	+10 dBV (3.16 V)	RCA pin jack
MONITOR OUT L/R	150 Ω	10 k Ω Lines	+4 dBu (1.23 V)	+20 dBu (7.75 V)	TRS phone jack (impedance balanced [Tip = HOT, Ring = COLD, Sleeve = GND])
PHONES	100 Ω	40 Ω Phones	3 mW	75 mW	Stereo phone jack

Where 0 dBu = 0.775 Vrms and 0 dBV = 1 Vrms

Digital Input/Output Specifications

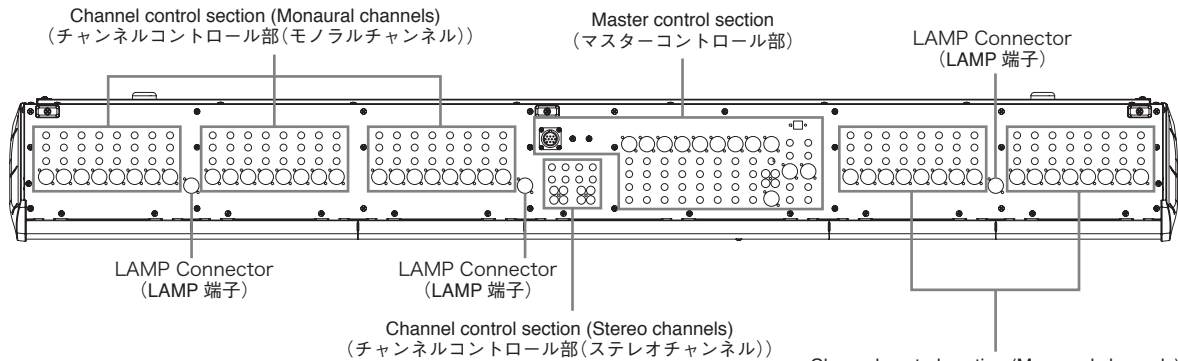
Connector	Format	Data Length	Connector Specifications
USB	USB AUDIO 1.1	16 bit	USB B type

Jack List

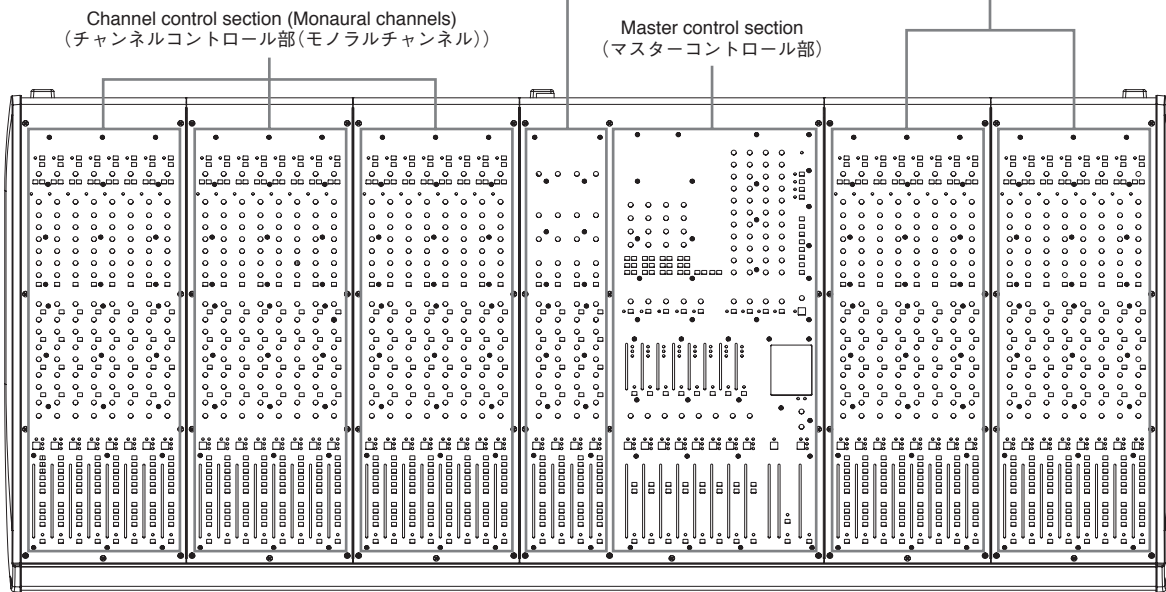
Input/Output Jacks	Polarities	Configurations
INPUT A (Monaural channels), AUX SEND, STEREO OUT, MONO OUT, TALKBACK	Pin 1: Ground Pin 2: Hot (+) Pin 3: Cold (-)	<div style="display: flex; justify-content: space-around;"> <div style="text-align: center;"> <p>INPUT</p>  </div> <div style="text-align: center;"> <p>OUTPUT</p>  </div> </div> <p style="text-align: center;">XLR-3-31/XLR-3-32 Jack</p>
LAMP	Pin 1: NC Pin 2: NC Pin 3: Ground Pin 4: +12 V	 <p style="text-align: center;">XLR-4-31 Jack</p>
INPUT B (Monaural channels), GROUP OUT, MATRIX OUT, MONITOR OUT	Tip: Hot (+) Ring: Cold (-) Sleeve: Ground	
CH INSERT, AUX INSERT, GROUP INSERT, STEREO INSERT, MONO INSERT, DIRECT OUT	Tip: Output Ring: Input Sleeve: Ground	
PHONES	Tip: L Ring: R Sleeve: Ground	<p style="text-align: center;">TRS Phone Jack</p>
INPUT A (Stereo channels), AUX RETURN	Tip: Hot Sleeve: Ground	 <p style="text-align: center;">Phone Jack</p>

PANEL LAYOUT (パネルレイアウト)

Rear Panel (リアパネル)



Top Panel (トップパネル)

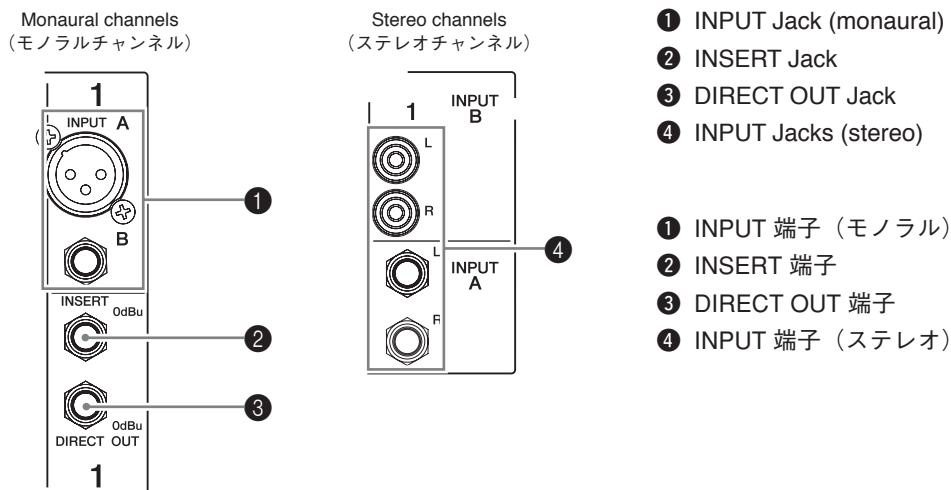


※This illustration shows IM8-40. The channel control part (monaural channel) and the number and location of the LAMP terminals of IM8-32/24 are different from those of IM8-40.

※このイラストはIM8-40です。IM8-32/24はチャンネルコントロール部(モノラルチャンネル)とLAMP端子の数と位置が違います。

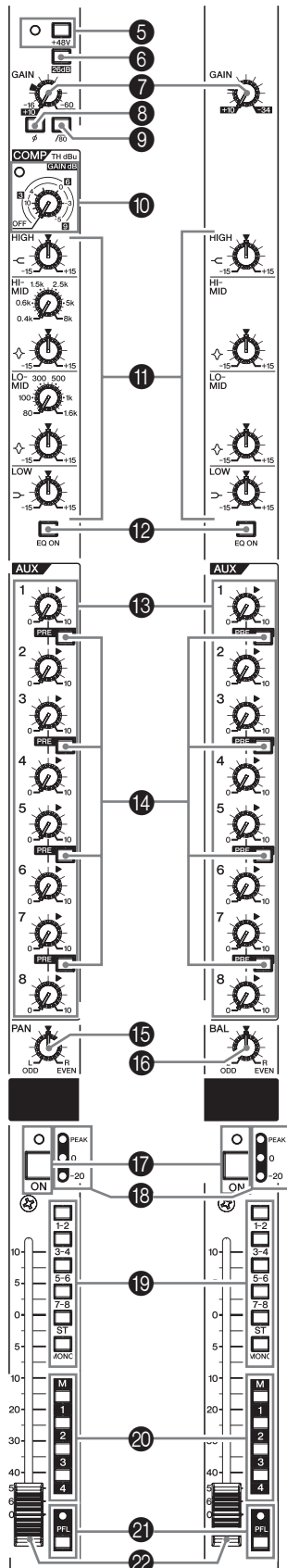
● Channel control section (チャンネルコントロール部)

・ Rear Panel (リアパネル)



・ Top Panel (トップパネル)

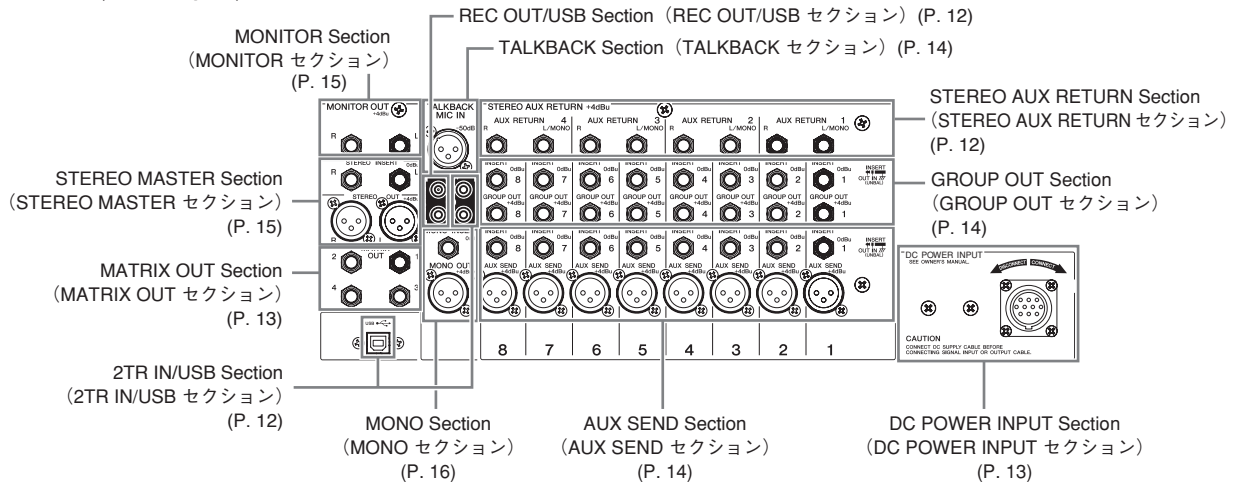
Monaural channels (モノラルチャンネル) Stereo channels (ステレオチャンネル)



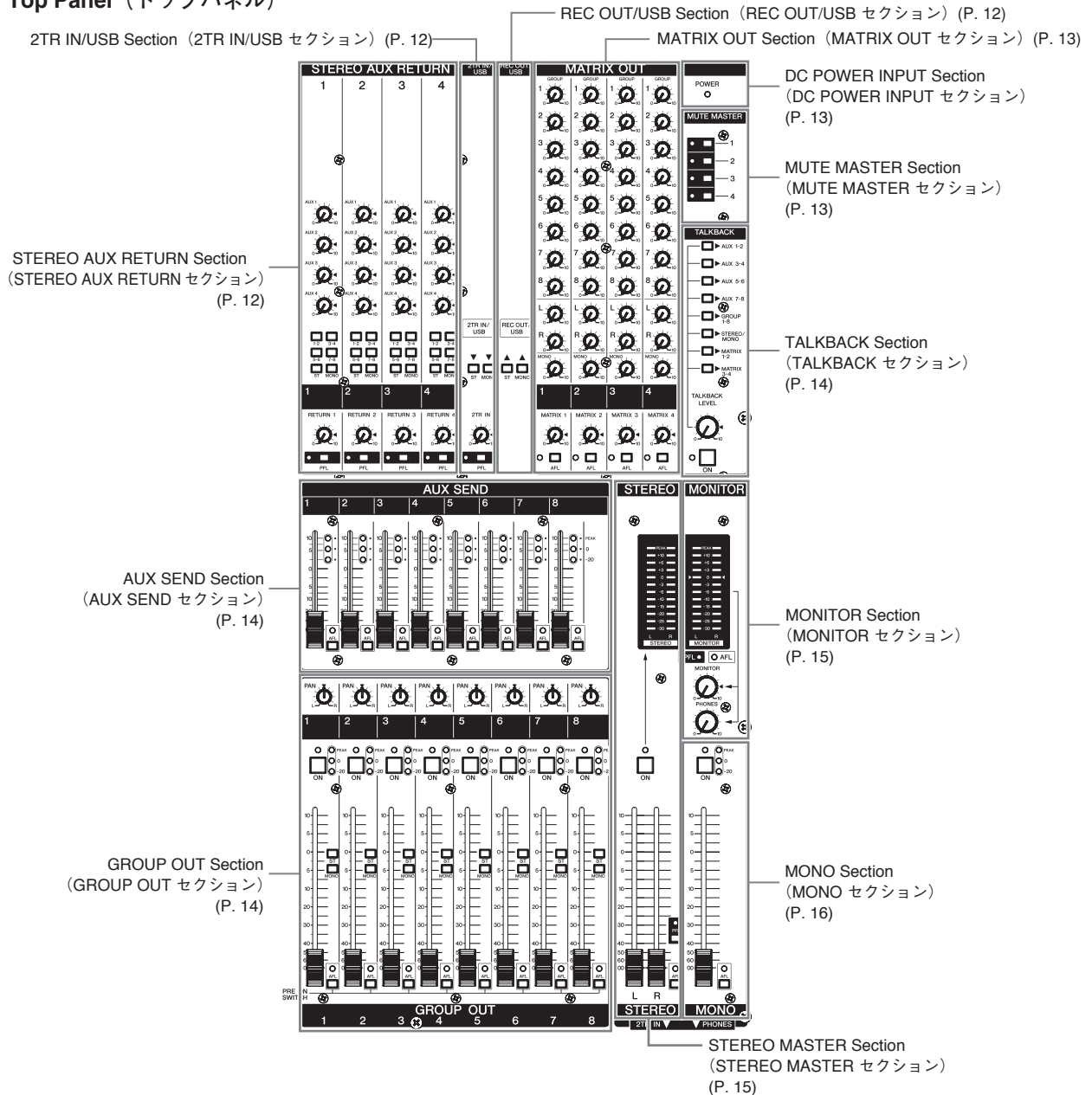
- ⑤ +48V Switch/Indicator
 - ⑥ 26 dB (PAD) Switch
 - ⑦ GAIN Control
 - ⑧ ϕ (Phase) Switch
 - ⑨ $\sqrt{80}$ (High Pass Filter) Switch
 - ⑩ COMP Control/Indicator
 - ⑪ EQ (Equalizer): HIGH, HI-MID, LO-MID, LOW
 - ⑫ EQ ON Switch
 - ⑬ AUX Controls (1-8)
 - ⑭ PRE Switches
 - ⑮ PAN Control
 - ⑯ BAL Control
 - ⑰ ON Switch/Indicator
 - ⑱ Input Meter
 - ⑲ Bus Assign Switches
 - ⑳ MUTE Switches (1-4)
 - ㉑ PFL Switch/Indicator
 - ㉒ Channel Fader
-
- ⑤ +48V スイッチ/インジケータ
 - ⑥ 26 dB (PAD) スイッチ
 - ⑦ GAIN コントロール
 - ⑧ ϕ (Phase) スイッチ
 - ⑨ $\sqrt{80}$ (ハイパスフィルター) スイッチ
 - ⑩ COMP コントロール/インジケータ
 - ⑪ EQ (イコライザ: HIGH, HI-MID, LO-MID, LOW)
 - ⑫ EQ ON スイッチ
 - ⑬ AUX コントロール (1 ~ 8)
 - ⑭ PRE スイッチ
 - ⑮ PAN コントロール
 - ⑯ BAL コントロール
 - ⑰ ON スイッチ/インジケータ
 - ⑱ インプットメータ
 - ⑲ バスアサインスイッチ
 - ⑳ MUTE スイッチ (1 ~ 4)
 - ㉑ PFL スイッチ/インジケータ
 - ㉒ チャンネルフェーダ

● Master control section (マスターコントロール部)

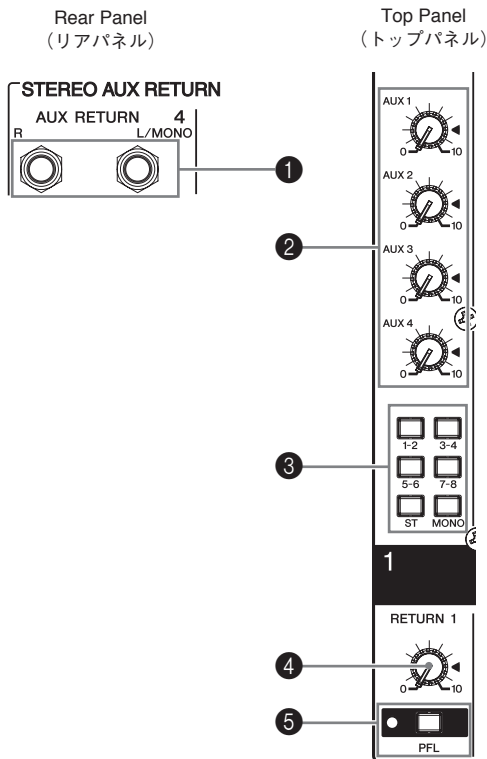
Rear Panel (リアパネル)



Top Panel (トップパネル)



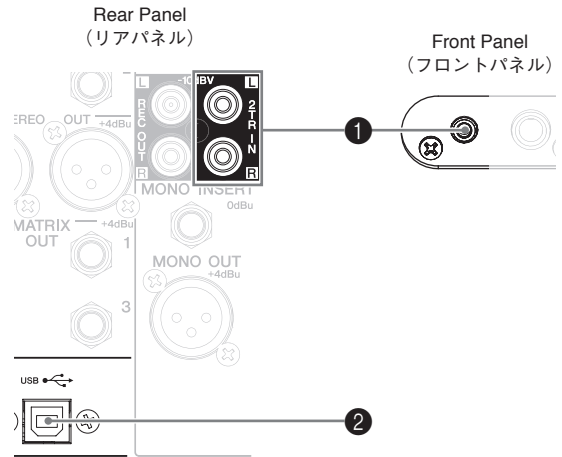
STEREO AUX RETURN Section
(STEREO AUX RETURN セクション)



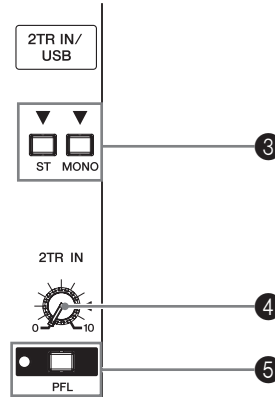
- ❶ AUX RETURN Jacks
- ❷ AUX Controls (1-4)
- ❸ Bus Assign Switches
- ❹ RETURN Control
- ❺ PFL Switch/Indicator

- ❶ AUX RETURN 端子
- ❷ AUX コントロール (1 ~ 4)
- ❸ バスアサインスイッチ
- ❹ RETURN コントロール
- ❺ PFL スイッチ / インジケータ

2TR IN/USB Section
(2TR IN/USB セクション)



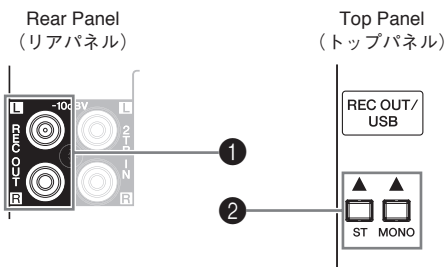
Top Panel (トップパネル)



- ❶ 2TR IN Jacks
- ❷ USB Connector
- ❸ Bus Assign Switches
- ❹ 2TR IN/USB Control
- ❺ PFL Switch/Indicator

- ❶ 2TR IN 端子
- ❷ USB 端子
- ❸ バスアサインスイッチ
- ❹ 2TR IN/USB コントロール
- ❺ PFL スイッチ / インジケータ

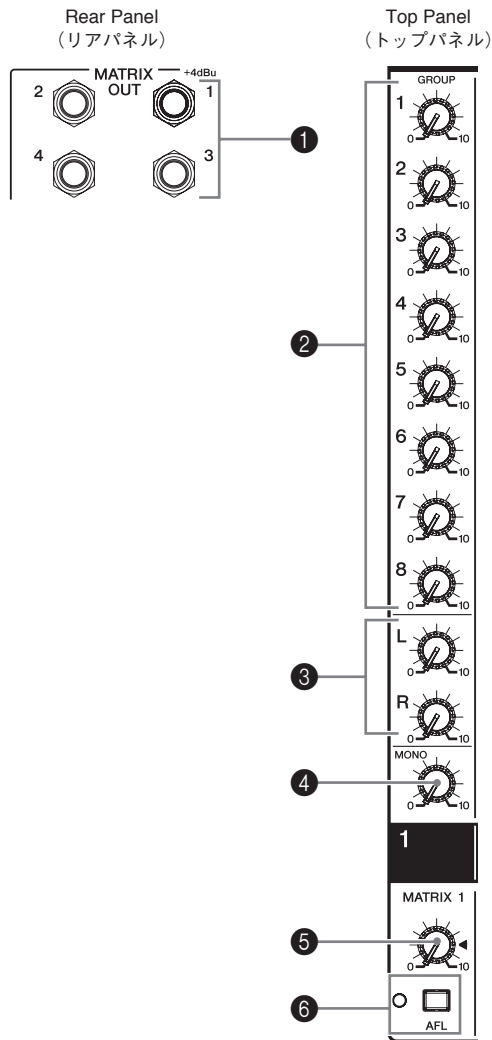
REC OUT/USB Section
(REC OUT/USB セクション)



- ❶ REC OUT Jacks
- ❷ Bus Assign Switches

- ❶ REC OUT 端子
- ❷ バスアサインスイッチ

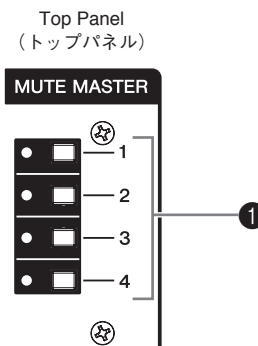
MATRIX OUT Section
(MATRIX OUT セクション)



- ① MATRIX OUT Jack
- ② GROUP Controls (1-8)
- ③ ST Controls (L, R)
- ④ MONO Control
- ⑤ MATRIX master Control
- ⑥ AFL Switch/Indicator

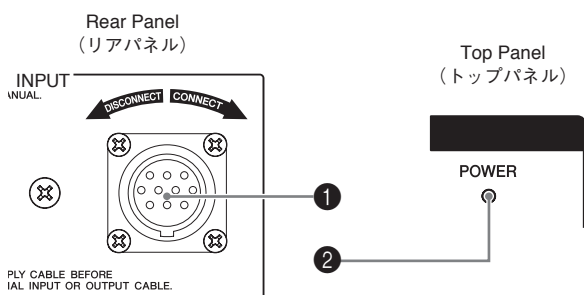
- ① MATRIX OUT 端子
- ② GROUP コントロール (1 ~ 8)
- ③ ST コントロール (L, R)
- ④ MONO コントロール
- ⑤ MATRIX マスターコントロール
- ⑥ AFL スイッチ/インジケーター

MUTE MASTER Section
(MUTE MASTER セクション)



- ① MUTE Master Switches/Indicators (1-4)
- ① MUTE マスタースイッチ/インジケーター (1 ~ 4)

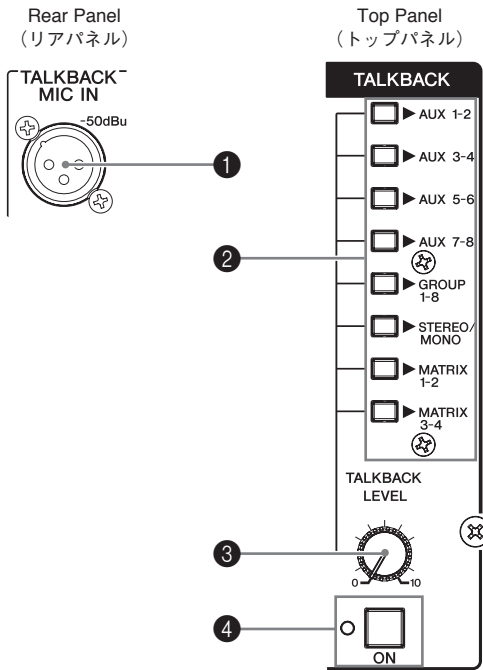
DC POWER INPUT Section
(DC POWER INPUT セクション)



- ① DC POWER INPUT Connector
- ② POWER Indicator

- ① DC POWER INPUT 端子
- ② POWER インジケーター

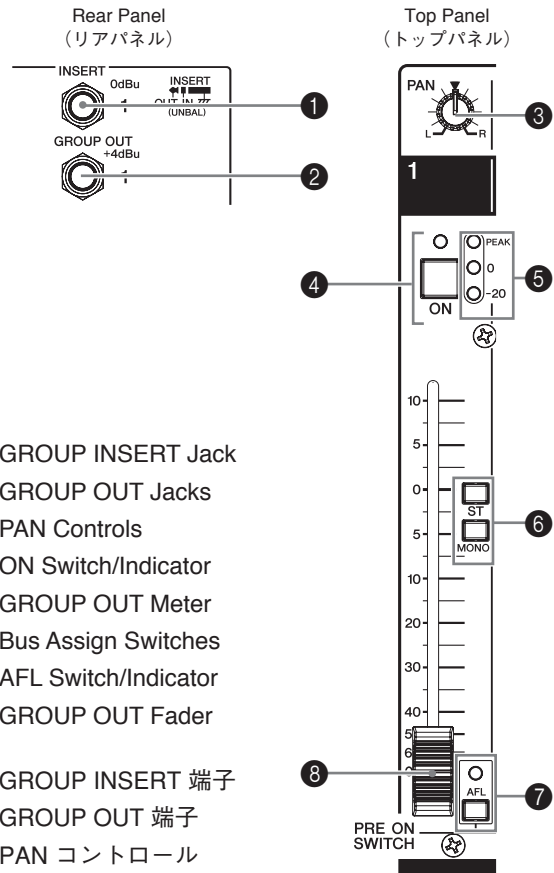
TALKBACK Section
(TALKBACK セクション)



- ① TALKBACK MIC IN Jack
- ② Bus Assign Switches
- ③ TALKBACK LEVEL Control
- ④ ON Switch/Indicator

- ① TALKBACK MIC IN 端子
- ② バスアサインスイッチ
- ③ TALKBACK LEVEL コントロール
- ④ ON スイッチ/インジケータ

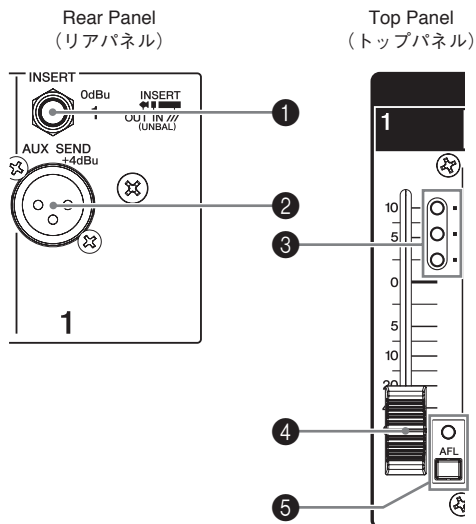
GROUP OUT Section
(GROUP OUT セクション)



- ① GROUP INSERT Jack
- ② GROUP OUT Jacks
- ③ PAN Controls
- ④ ON Switch/Indicator
- ⑤ GROUP OUT Meter
- ⑥ Bus Assign Switches
- ⑦ AFL Switch/Indicator
- ⑧ GROUP OUT Fader

- ① GROUP INSERT 端子
- ② GROUP OUT 端子
- ③ PAN コントロール
- ④ ON スイッチ/インジケータ
- ⑤ GROUP OUT メーター
- ⑥ バスアサインスイッチ
- ⑦ AFL スイッチ/インジケータ
- ⑧ GROUP OUT フェーダー

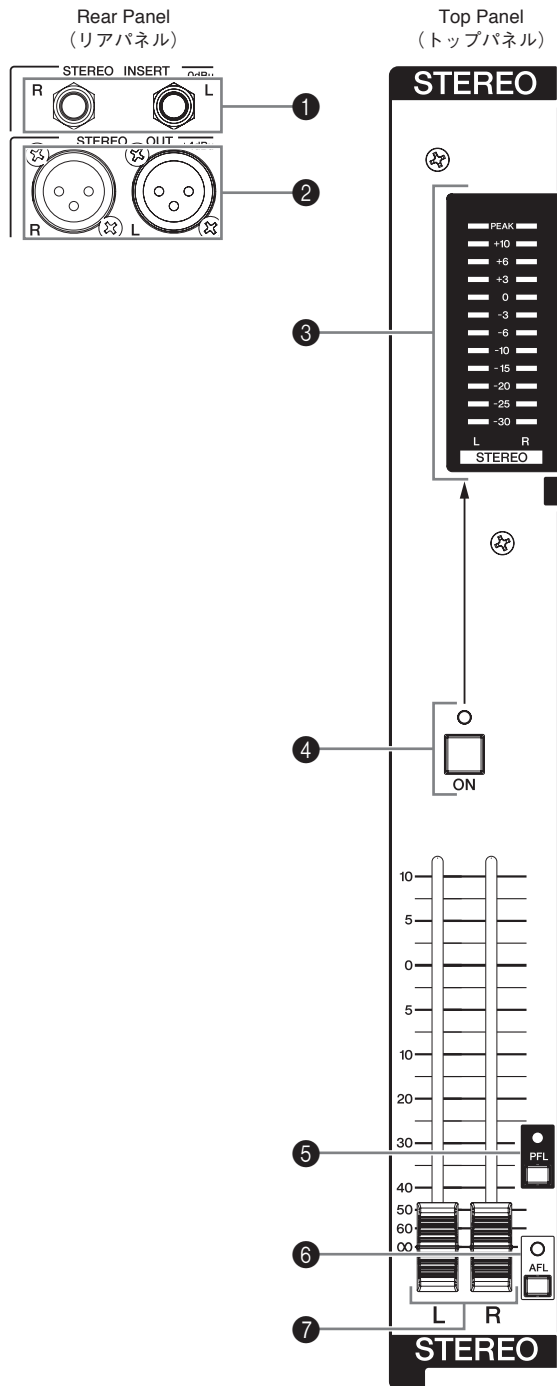
AUX SEND Section
(AUX SEND セクション)



- ① AUX INSERT Jack
- ② AUX SEND Jacks
- ③ AUX SEND Meter
- ④ AUX SEND Fader
- ⑤ AFL Switch/Indicator

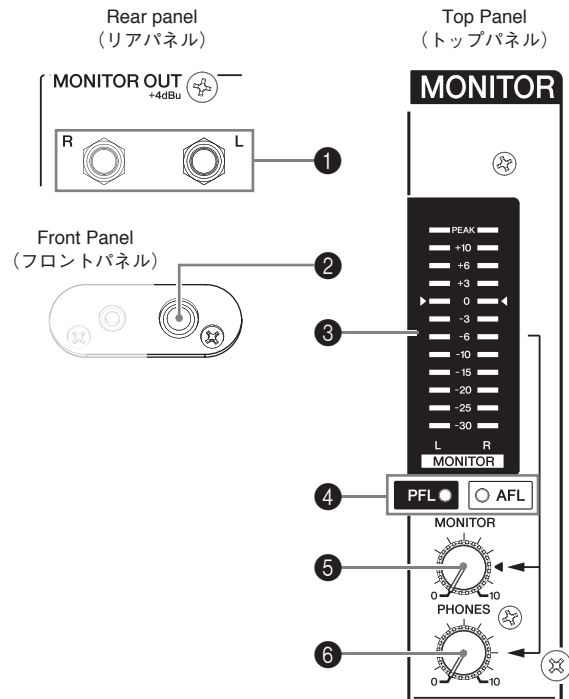
- ① AUX INSERT 端子
- ② AUX SEND 端子
- ③ AUX SEND メーター
- ④ AUX SEND フェーダー
- ⑤ AFL スイッチ/インジケータ

STEREO MASTER Section
(STEREO MASTER セクション)



- ① STEREO INSERT Jack
- ② STEREO OUT Jacks
- ③ STEREO Level Meter
- ④ ON Switch/Indicator
- ⑤ PFL Switch/Indicator
- ⑥ AFL Switch/Indicator
- ⑦ STEREO OUT Master Faders

MONITOR Section
(MONITOR セクション)



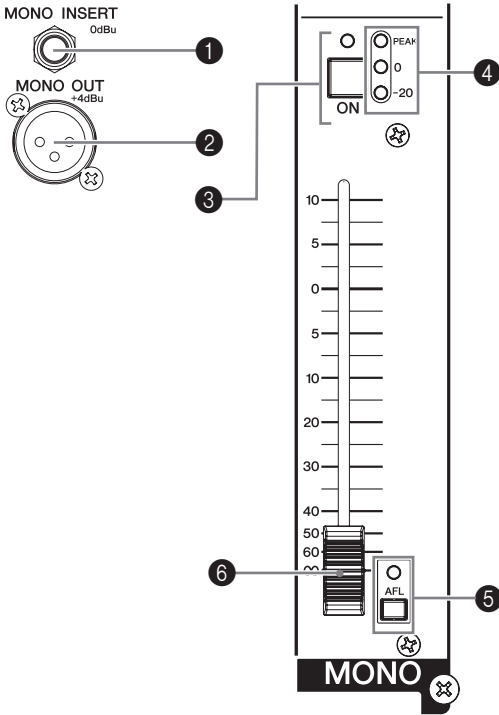
- ① MONITOR OUT Jacks
 - ② PHONES Jack
 - ③ MONITOR Level Meter
 - ④ PFL/AFL Indicator
 - ⑤ MONITOR Control
 - ⑥ PHONES Control
-
- ① MONITOR OUT 端子
 - ② PHONES 端子
 - ③ MONITOR レベルメーター
 - ④ PFL/AFL インジケーター
 - ⑤ MONITOR コントロール
 - ⑥ PHONES コントロール

- ① STEREO INSERT 端子
- ② STEREO OUT 端子
- ③ STEREO レベルメーター
- ④ ON スイッチ/インジケーター
- ⑤ PFL スイッチ/インジケーター
- ⑥ AFL スイッチ/インジケーター
- ⑦ STEREO OUT マスターフェーダー

MONO Section
(MONO セクション)

Rear Panel
(リアパネル)

Top Panel
(トップパネル)

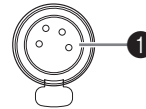


- ① MONO INSERT Jack
- ② MONO OUT Jack
- ③ ON Switch/Indicator
- ④ MONO Level Meter
- ⑤ AFL Switch/Indicator
- ⑥ MONO Fader

- ① MONO INSERT 端子
- ② MONO OUT 端子
- ③ ON スイッチ/インジケータ
- ④ MONO レベルメータ
- ⑤ AFL スイッチ/インジケータ
- ⑥ MONO フェーダ

LAMP Connector
(LAMP 端子)

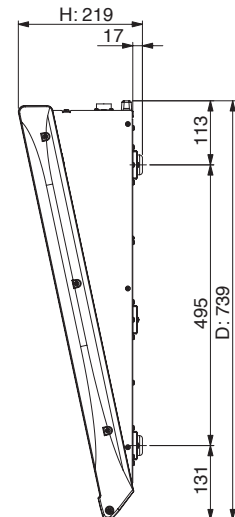
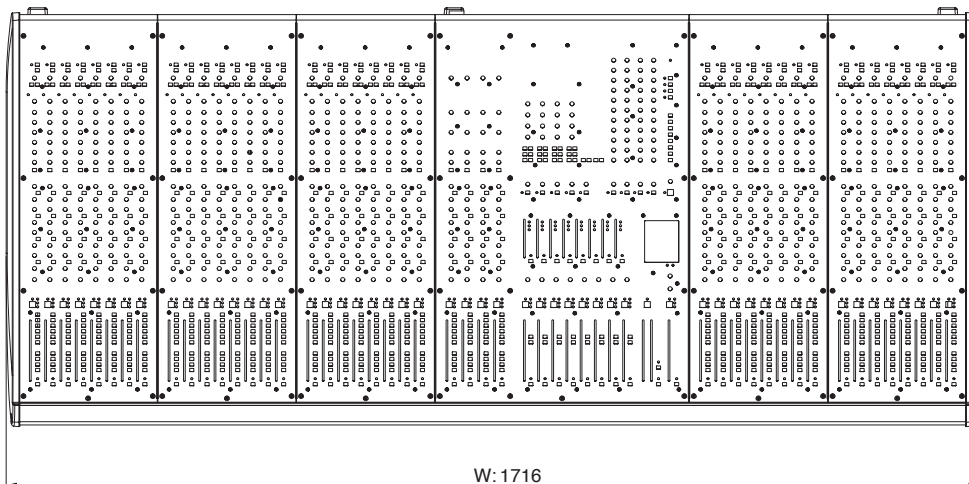
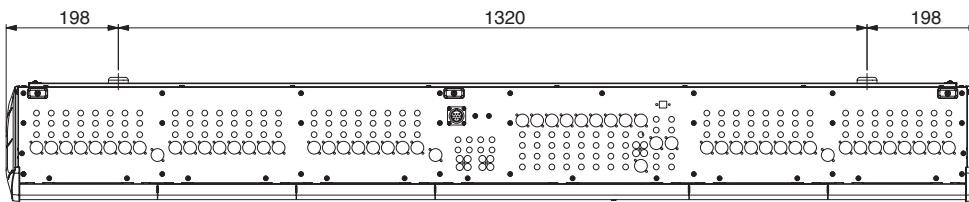
Rear Panel
(リアパネル)



- ① LAMP Connector
- ① LAMP 端子

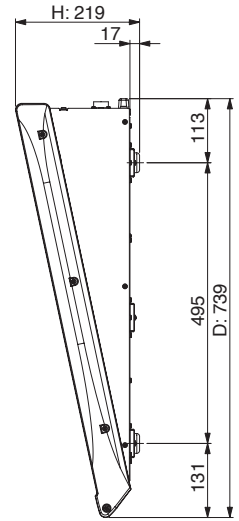
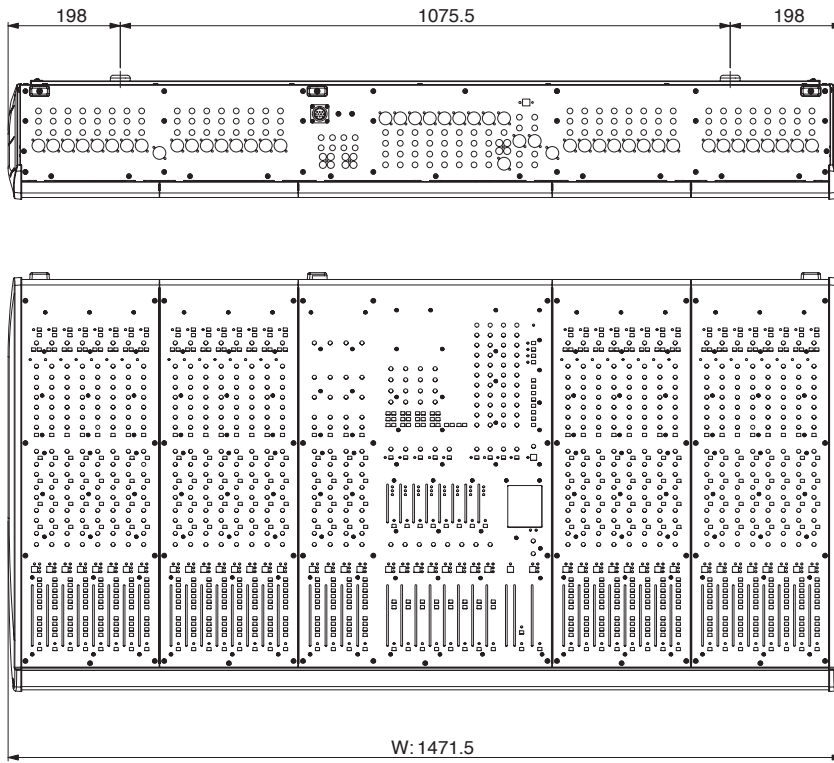
DIMENSIONAL DIAGRAM (寸法図)

• IM8-40



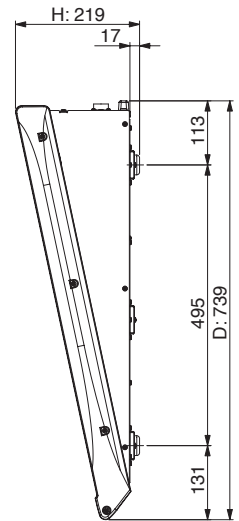
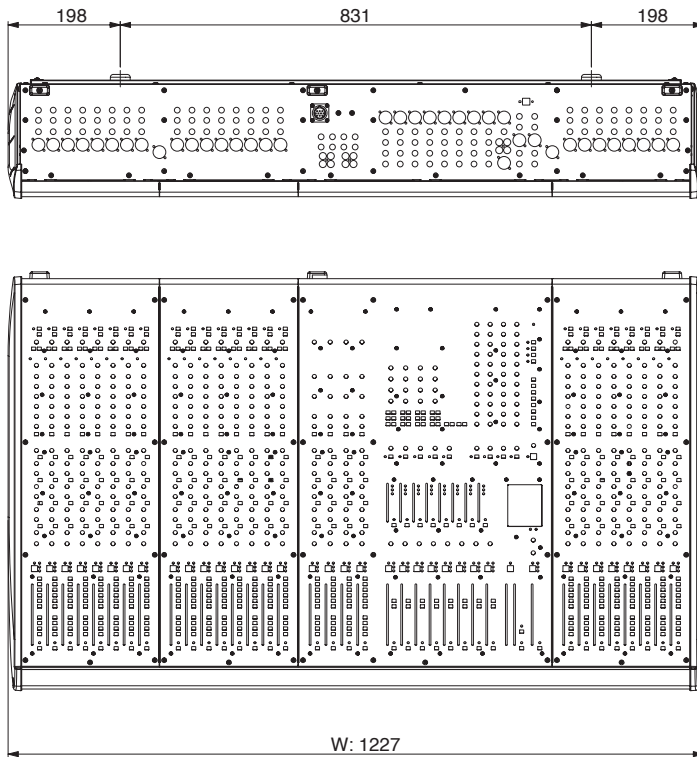
Units: mm
(単位)

• IM8-32



Units: mm
(単位)

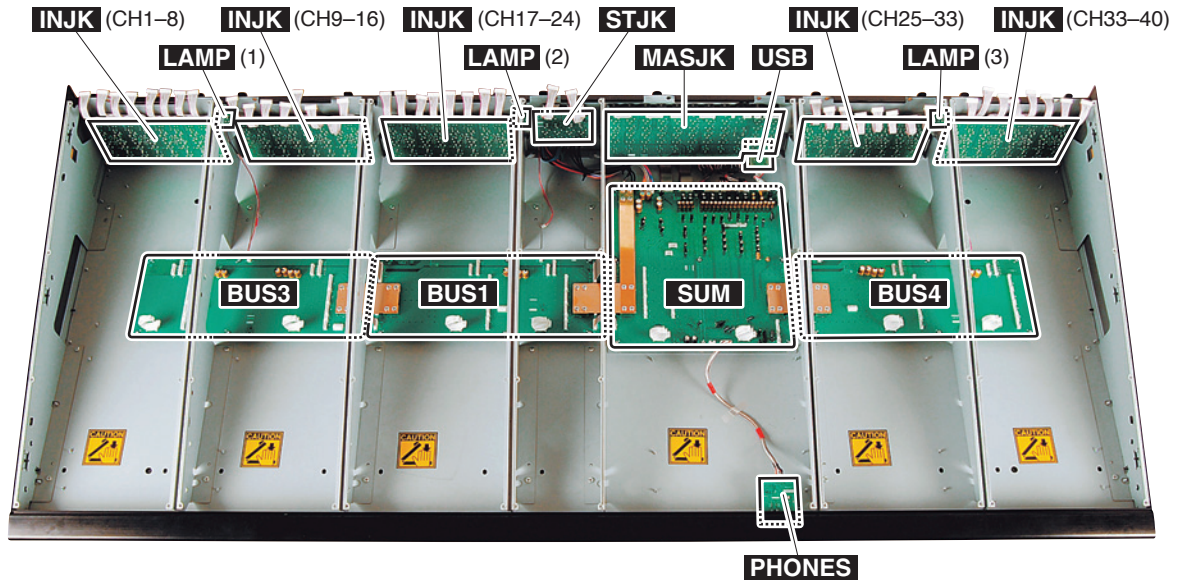
• IM8-24



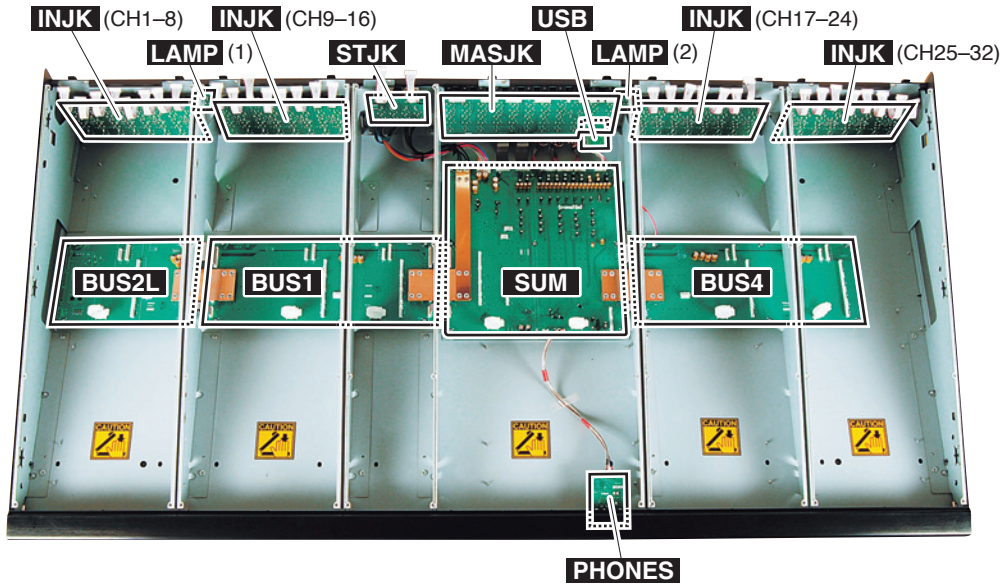
Units: mm
(単位)

CIRCUIT BOARD LAYOUT (ユニットレイアウト)

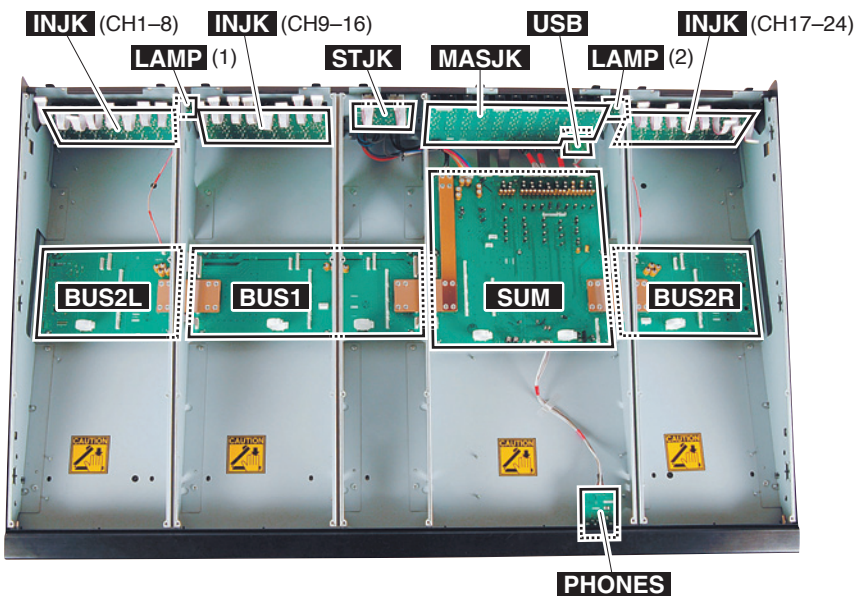
• IM8-40



• IM8-32



• IM8-24

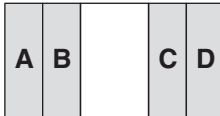


• **PANEL ASSEMBLY, IN8** (パネル IN8 Ass'y)

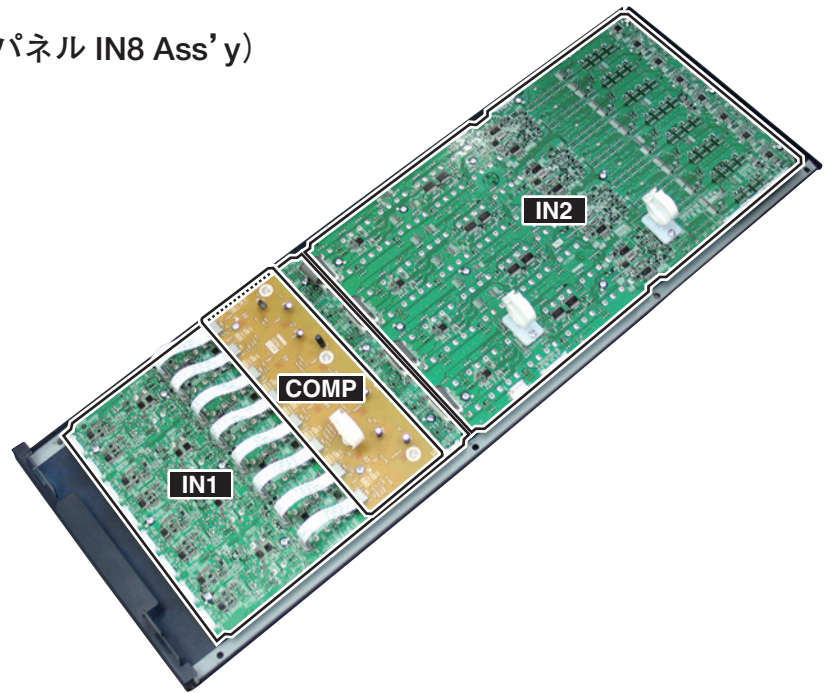
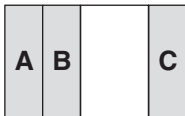
• IM8-40



• IM8-32



• IM8-24



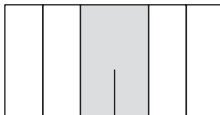
• **PANEL ASSEMBLY, MASTER** (パネル MAS Ass'y)

• IM8-40



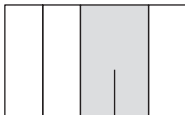
PANEL ASSEMBLY, MASTER 40
(パネル MAS40Ass'y)

• IM8-32

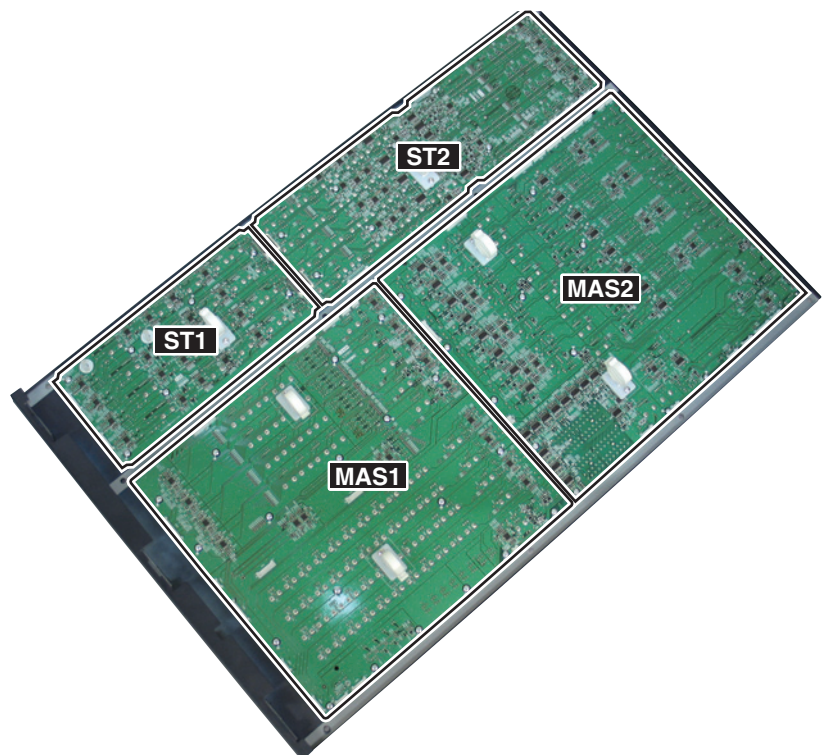


PANEL ASSEMBLY, MASTER 32
(パネル MAS32Ass'y)

• IM8-24



PANEL ASSEMBLY, MASTER 24
(パネル MAS24Ass'y)



DISASSEMBLY PROCEDURE (分解手順)

Caution:



Take care not to trap your fingers.

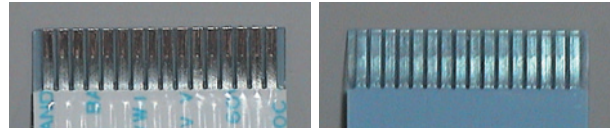
- * Be sure to attach the removed filament tape just as it was before removal.
- * Pay attention not to insert and install the cable to the connector inversely. (Photo 1)

注意事項



作業中は指を挟まない様に注意してください。

- ※ フィラメントテープ、取り外す前と同じように取り付けてください。
- ※ フラットケーブルの表・裏を逆に差し込まないように注意して取り付けてください。(写真1)



Front Side (Printed Side)
表面 (印刷面)

Back Side
裏面

Photo 1 (写真 1)

1. SIDE PAD L, SIDE PAD R (サイドパッド L、サイドパッド R)	21
2. IN8 PANEL ASSEMBLY (パネル IN8 Ass'y)	21
3. MASTER PANEL ASSEMBLY (パネル MAS Ass'y)	24
4. INJK CIRCUIT BOARDS (INJK シート)	26
5. MASJK CIRCUIT BOARD (MASJK シート)	26
6. STJK CIRCUIT BOARD (STJK シート)	27
7. LAMP CIRCUIT BOARDS (LAMP シート)	27
8. USB CIRCUIT BOARD (USB シート)	28
9. PHONES CIRCUIT BOARD (PHONES シート)	29
10. DCIN WIRING ASSEMBLY (DCIN 束線)	29
A. BOTTOM ASSEMBLY SECTION DISASSEMBLY PROCEDURE (ボトム Ass'y 部の分解)	
A-2 SUM CIRCUIT BOARDS (SUM シート)	31
A-3 BUS1 CIRCUIT BOARDS (BUS1 シート)	32
A-4 BUS3 CIRCUIT BOARDS (IM8-40) (BUS3 シート (IM8-40))	33
A-5 BUS4 CIRCUIT BOARDS (IM8-40, IM8-32) (BUS4 シート (IM8-40, IM8-32))	34
A-6 BUS2L CIRCUIT BOARDS (IM8-32, IM8-24) (BUS2L シート (IM8-32, IM8-24))	35
A-7 BUS2R CIRCUIT BOARDS (IM8-24) (BUS2R シート (IM8-24))	35
A-8 FRONT PAD (フロントパッド)	36
B. IN8 PANEL ASSEMBLY DISASSEMBLY PROCEDURE (パネル IN8 Ass'y の分解)	
B-2 COMP CIRCUIT BOARDS (COMP シート)	37
B-3 IN1 CIRCUIT BOARDS (IN1 シート)	38
B-4 IN2 CIRCUIT BOARDS (IN2 シート)	38
C. MASTER PANEL ASSEMBLY DISASSEMBLY PROCEDURE (パネル MAS Ass'y の分解)	
C-2 ST1 CIRCUIT BOARDS (ST1 シート)	40
C-3 ST2 CIRCUIT BOARDS (ST2 シート)	41
C-4 MAS1 CIRCUIT BOARDS (MAS1 シート)	42
C-5 MAS2 CIRCUIT BOARDS (MAS2 シート)	43

1. Side Pad L, Side Pad R
(Time required: About 1 minute each)

1-1 Side pad L

1-1-1 Remove the four (4) screws marked [190A]. The side pad L can then be removed. (Photo 2)

1-2 Side pad R

1-2-1 Remove the four (4) screws marked [210]. The side pad R can then be removed. (Photo 2)

2. IN8 Panel Assembly
(Time required: About 1 minute each)

* **Prepare the support jig (control panel stay IM8) in advance. (Fig. 1)**

2-1 Remove the side pad L or side pad R as necessary.
(See procedure 1.)

1. サイドパッド L、サイドパッド R
(所要時間：各約 1 分)

1-1 サイドパッド L

1-1-1 [190A] のネジ 4 本を外して、サイドパッド L を外します。(写真 2)

1-2 サイドパッド R

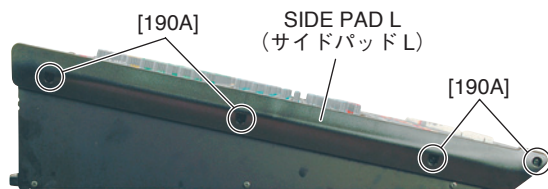
1-2-1 [210] のネジ 4 本を外して、サイドパッド R を外します。(写真 2)

2. パネル IN8 Ass'y (所要時間：約 2 分)

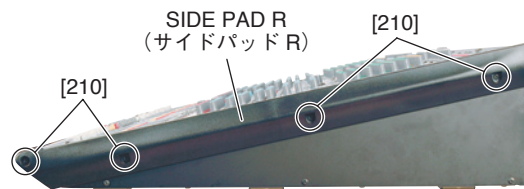
※ あらかじめ、サポート治具 (コンパネステー IM8) を用意してください。(図 1 治具のイラスト)

2-1 必要に応じてサイドパッド L、サイドパッド R を外します。(1 項参照)

• LEFT SIDE VIEW



• RIGHT SIDE VIEW



[190]: BIND HEAD TAPPING SCREW-B (B タイト+B I N D) 4.0X16 MFZN2B3 (WE99840R)
[210]: BIND HEAD TAPPING SCREW-B (B タイト+B I N D) 4.0X16 MFZN2B3 (WE99840R)

Photo 2 (写真 2)

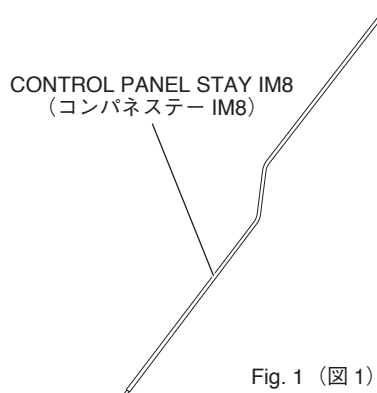


Fig. 1 (図 1)

2-2 Remove the screws corresponding to the panel assemblies. (Photo 3)

IN8 Panel Assembly A	[80] x 8, [170A] x 2
IN8 Panel Assembly B	[100A] x 8, [170A] x 2
IN8 Panel Assembly C	[120A] x 8, [170A] x 2
IN8 Panel Assembly D	[140A] x 8, [170A] x 2
IN8 Panel Assembly E	[160A] x 8, [170A] x 2

* **Don't forget to remove the screws marked [170A].**

2-3 Loosen the screw marked [130A]. (Photo 3)

2-2 それぞれに対応したネジを外します。(写真3)

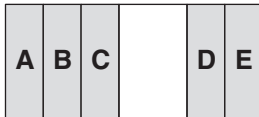
パネル IN8A Ass'y	[80] x 8, [170A] x 2
パネル IN8B Ass'y	[100A] x 8, [170A] x 2
パネル IN8C Ass'y	[120A] x 8, [170A] x 2
パネル IN8D Ass'y	[140A] x 8, [170A] x 2
パネル IN8E Ass'y	[160A] x 8, [170A] x 2

※ [170A] のネジを忘れずに取り外してください。

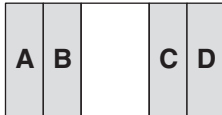
2-3 [130A] のネジ 1 本を緩めます。(写真3)

• IN8 PANEL ASSEMBLY (パネル IN8 Ass'y)

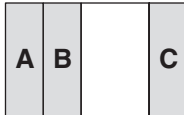
• IM8-40



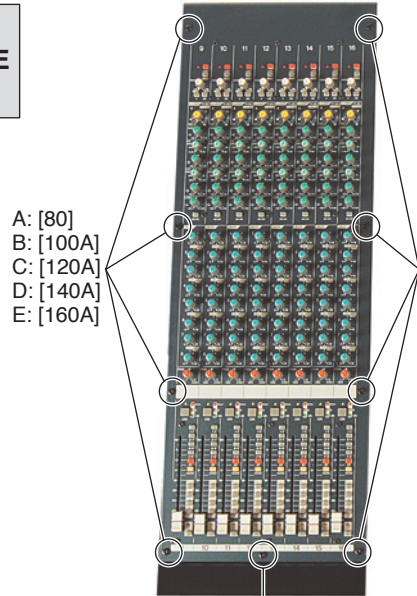
• IM8-32



• IM8-24

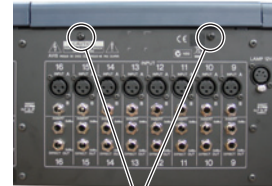


• TOP VIEW



A: [80]
B: [100A]
C: [120A]
D: [140A]
E: [160A]

• REAR VIEW



A: [80]
B: [100A]
C: [120A]
D: [140A]
E: [160A]

[130A]

- [80]: BIND HEAD SCREW-B (小ネジ+BIN D) 4.0X8 MFZN2B3 (WE969000)
- [100]: BIND HEAD SCREW-B (小ネジ+BIN D) 4.0X8 MFZN2B3 (WE969000)
- [120]: BIND HEAD SCREW-B (小ネジ+BIN D) 4.0X8 MFZN2B3 (WE969000)
- [130]: BIND HEAD SCREW-B (小ネジ+BIN D) 4.0X16 MFZN2B3 (WE968600)
- [140]: BIND HEAD SCREW-B (小ネジ+BIN D) 4.0X8 MFZN2B3 (WE969000)
- [160]: BIND HEAD SCREW-B (小ネジ+BIN D) 4.0X8 MFZN2B3 (WE969000)
- [170]: BIND HEAD SCREW-B (小ネジ+BIN D) 4.0X8 MFZN2B3 (WE969000)

Photo 3 (写真3)

- 2-4 Lift the IN8 panel assembly a little by picking up the head of the loosened screw marked [130A], insert your fingers into the gap thus made, and lift the IN8 panel assembly toward the rear side. (Photo 4)
- 2-5 Secure the lifted IN8 panel assembly with the control panel stay. (Photo 5)
- * **Insert the control panel stay into the screw hole of the IN8 panel assembly and into the hole for the jig on the bottom side. The hole for the jig on the bottom side is located closer to the middle of the instrument than the screw hole of the IN8 panel assembly. Be careful of the direction of the jig.**
- * **To remove the IN8 panel assembly, disconnect the wiring assembly and lift the panel assembly.**
- * **To install the IN8 panel assembly, tighten the screws 1 and 2 shown in Fig. 2 in numerical order and then tighten the other screws. (Fig. 2)**

- 2-4 緩めた [130A] のネジの頭をつまんで少し持ち上げ、できた隙間に指をかけてパネル IN8 Ass'y をリア側に持ち上げます。(写真4)
- 2-5 持ち上げたパネル IN8 Ass'y をコンパネステーで固定します。(写真5)
- ※ パネル IN8 Ass'y にあるネジ穴とボトム側にある治具用の穴にコンパネステーを挿入してください。ボトム側にある治具用の穴はパネル IN8 Ass'y にあるネジ穴よりも内側にあります。治具の向きに注意してください。
- ※ パネル IN8 Ass'y を取り外す場合は、束線を外し持ち上げて外します。
- ※ パネル IN8 Ass'y を取り付ける際は、図2に示す1、2のネジを順に締めてから他のネジを締めてください。(図2)

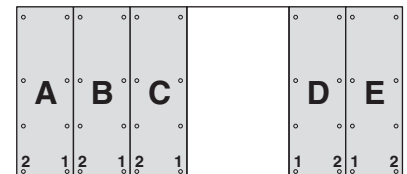


[130]: BIND HEAD SCREW-B (小ネジ+ B I N D) 4.0X16 MFZN2B3 (WE968600)

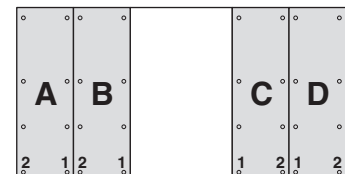
Photo 4 (写真4)

• IN8 PANEL ASSEMBLY
(パネル IN8 Ass'y)

• IM8-40



• IM8-32



• IM8-24

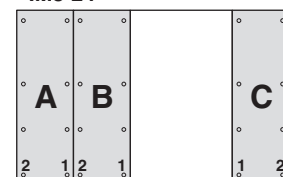
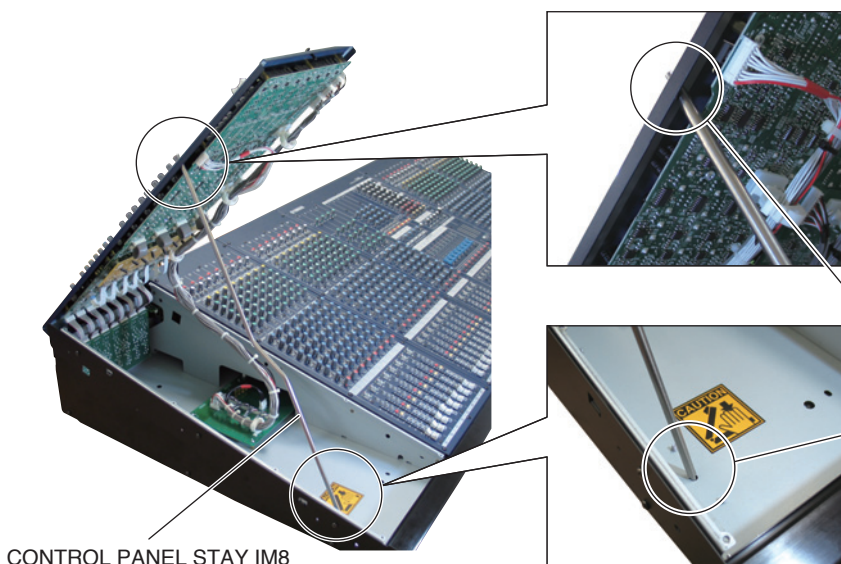


Fig. 2 (図2)



CONTROL PANEL STAY IM8
(コンパネステー IM8)

Photo 5 (写真5)

Insert into the hole to secure.
(穴に差し込んで固定します。)

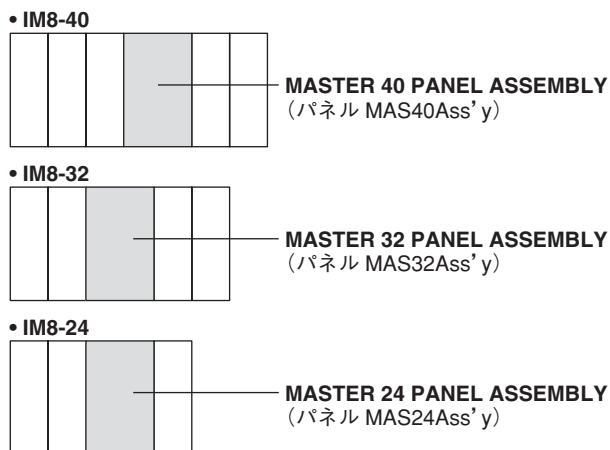
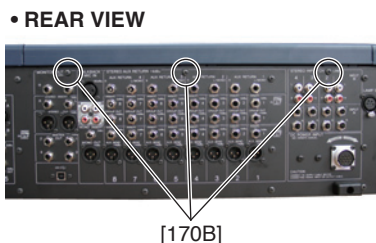
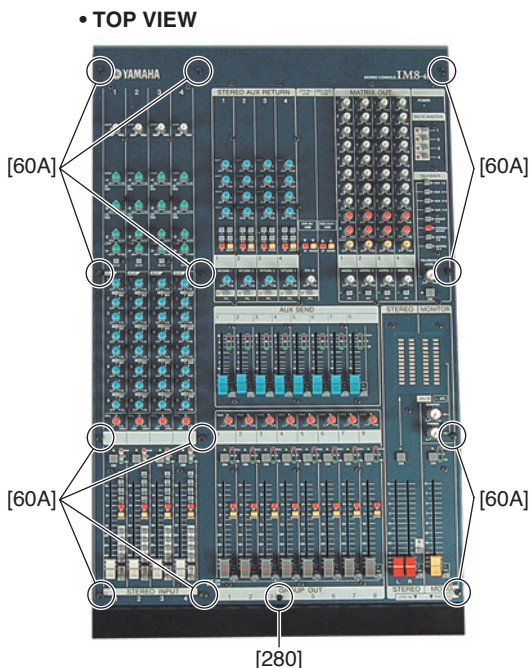
3. MASTER Panel Assembly
(Time required: About 3 minutes)

- 3-1 Remove the twelve (12) screws marked [60A] and three (3) screws marked [170B]. (Photo 6)
- 3-2 Loosen the screw marked [280]. (Photo 6)
- 3-3 Lift the MASTER panel assembly a little by picking up the head of the loosened screw marked [280], insert your fingers into the gap thus made, and lift the MASTER panel assembly toward the rear side. (Photo 7)

3. パネル MAS Ass'y (所要時間：約3分)

- 3-1 [60A]のネジ12本と[170B]のネジ3本を外します。(写真6)
- 3-2 [280]のネジ1本を緩めます。(写真6)
- 3-3 緩めた[280]のネジの頭をつまんで少し持ち上げ、できた隙間に指をかけてパネル MAS Ass'y をリア側に持ち上げます。(写真7)

• MASTER PANEL ASSEMBLY (パネル MAS Ass'y)



- [60]: BIND HEAD SCREW-B (小ネジ+BIND) 4.0X8 MFZN2B3 (WE969000)
- [170]: BIND HEAD SCREW-B (小ネジ+BIND) 4.0X8 MFZN2B3 (WE969000)
- [280]: BIND HEAD SCREW-B (小ネジ+BIND) 4.0X16 MFZN2B3 (WE968600)

Photo 6 (写真6)

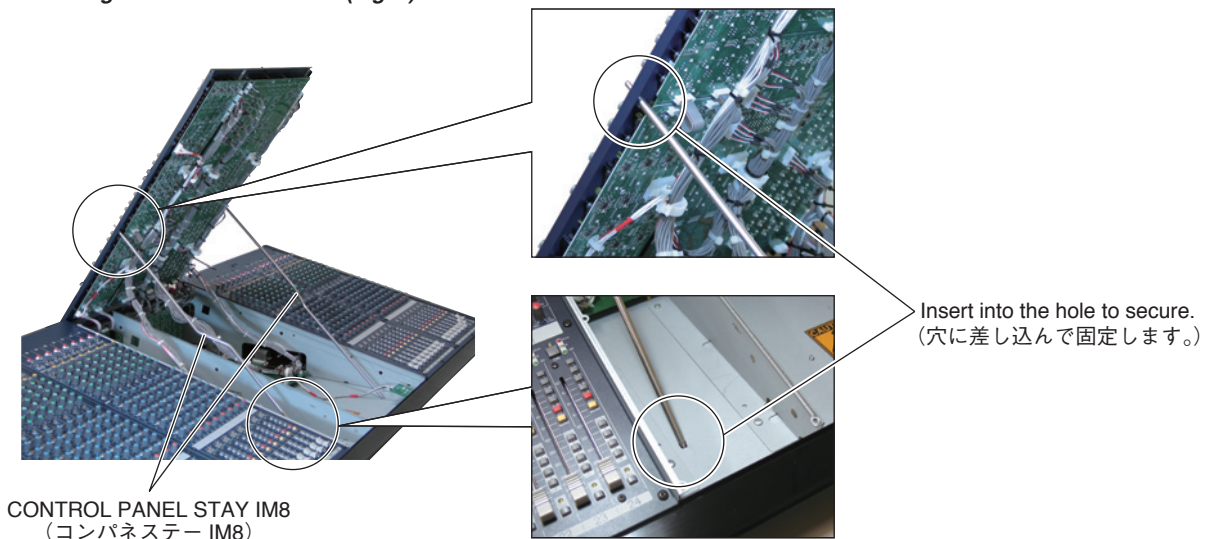


- [280]: BIND HEAD SCREW-B (小ネジ+BIND) 4.0X16 MFZN2B3 (WE968600)

Photo 7 (写真7)

- 3-4 Secure the lifted MASTER panel assembly with the two (2) control panel stays. (Photo 8)
- * **Insert the control panel stays into the screw hole of the MASTER panel assembly and into the hole for the jig on the bottom side. The holes for the jig on the bottom side are located closer to the middle of the instrument than the screw holes of the MASTER panel assembly. Be careful of the direction of the jigs.**
 - * **Be sure to secure the MASTER panel assembly with the two control panel stays on the right and left.**
 - * **To remove the MASTER panel assembly, disconnect the wiring assembly and lift the panel assembly.**
 - * **To install the MASTER panel assembly, tighten the screws 1 and 2 shown in Fig. 3 in numerical order and then tighten the other screws. (Fig. 3)**

- 3-4 持ち上げたパネル MAS Ass'y をコンパネステー 2 本で固定します。(写真 8)
- ※ パネル MAS Ass'y があるネジ穴とボトム側にある治具用の穴にコンパネステーを挿入してください。ボトム側にある治具用の穴はパネル MAS Ass'y があるネジ穴よりも内側にあります。治具の向きに注意してください。
 - ※ パネル MAS Ass'y は必ず左右 2 本のコンパネステーで固定してください。
 - ※ パネル MAS Ass'y を取り外す場合は、束線を外し持ち上げて外します。
 - ※ パネル MAS Ass'y を取り付けの際は、図 3 に示す 1、2 のネジを順に締めてから他のネジを締めてください。(図 3)

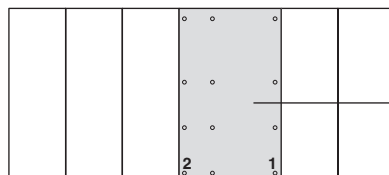


CONTROL PANEL STAY IM8
(コンパネステー IM8)

Photo 8 (写真 8)

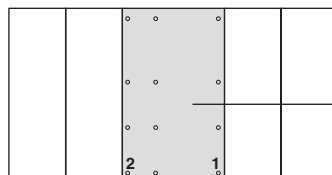
• MASTER PANEL ASSEMBLY (パネル MAS Ass'y)

• IM8-40



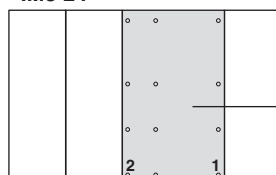
MASTER 40 PANEL ASSEMBLY
(パネル MAS40Ass'y)

• IM8-32



MASTER 32 PANEL ASSEMBLY
(パネル MAS32Ass'y)

• IM8-24



MASTER 24 PANEL ASSEMBLY
(パネル MAS24Ass'y)

Fig. 3 (図 3)

4. INJK Circuit Board
(Time required: About 8 minutes)

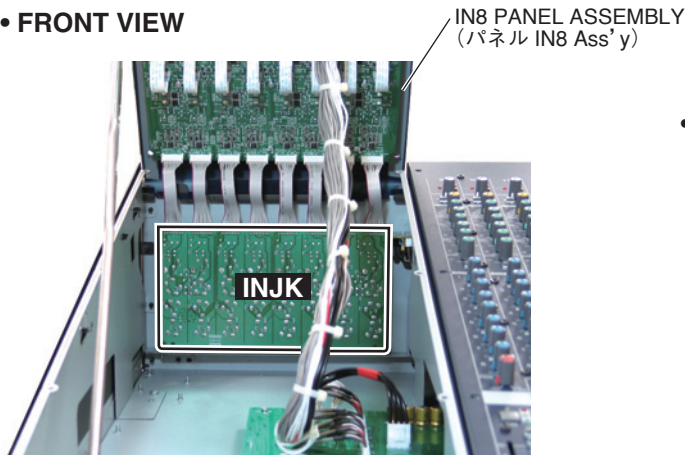
* *One INJK circuit board is installed per 8 channels.*

- 4-1 Remove the IN8 panel assembly corresponding to the INJK circuit board to be removed and secure with the control panel stay. (See procedure 2.)
- 4-2 Remove the sixteen (16) screws marked [120B] and twenty-four (24) hexagon nuts marked [150A]. The INJK circuit board can then be removed. (Photo 9)

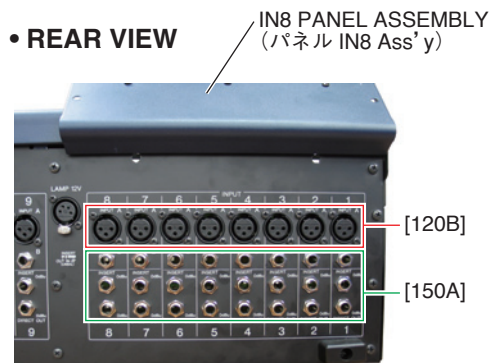
4. INJK シート (所要時間: 約 8 分)

- ※ INJK シートは 8 CH ごとに 1 枚ずつ取り付けられています。
- 4-1 取り外したい INJK シートに対応するパネル IN8 Ass'y を外し、コンパネステーで固定します。(2 項参照)
- 4-2 [120B] のネジ 16 本と [150A] の六角ナット 24 個を外して、INJK シートを外します。(写真 9)

• FRONT VIEW



• REAR VIEW



[120]: BIND HEAD TAPPING SCREW-B (B タイト+B I N D) 3.0X8 MFZN2B3 (WE774400)
[150]: HEXAGON NUT (特殊六角ナット) M9.0X12X2 MFNI33G (VP034300)

Photo 9 (写真 9)

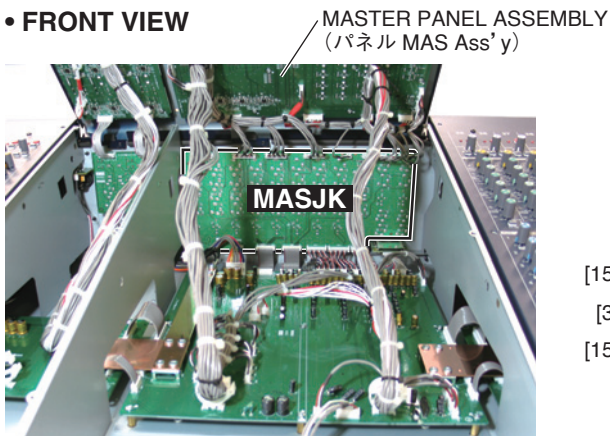
5. MASJK Circuit Board
(Time required: About 13 minutes)

- 5-1 Remove the MASTER panel assembly and secure with the control panel stays. (See procedure 3.)
- 5-2 Remove the twenty-five (25) screws marked [30A] and forty-one (41) hexagon nuts marked [150B]. The MASJK circuit board can then be removed. (Photo 10)

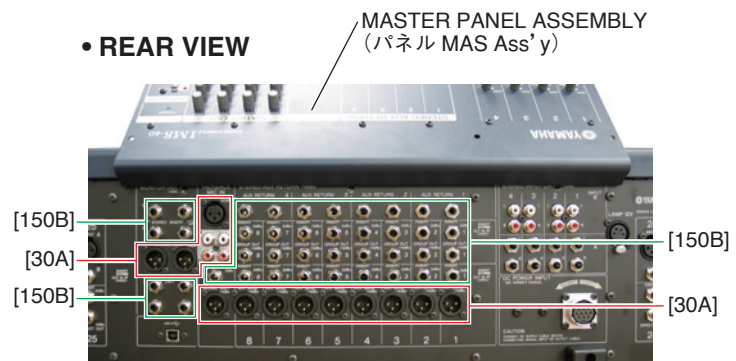
5. MASJK シート (所要時間: 約 13 分)

- 5-1 パネル MAS Ass'y を外し、コンパネステーで固定します。(3 項参照)
- 5-2 [30A] のネジ 25 本と [150B] の六角ナット 41 個を外して、MASJK シートを外します。(写真 10)

• FRONT VIEW



• REAR VIEW



[30]: BIND HEAD TAPPING SCREW-B (B タイト+B I N D) 3.0X8 MFZN2B3 (WE774400)
[150]: HEXAGON NUT (特殊六角ナット) M9.0X12X2 MFNI33G (VP034300)

Photo 10 (写真 10)

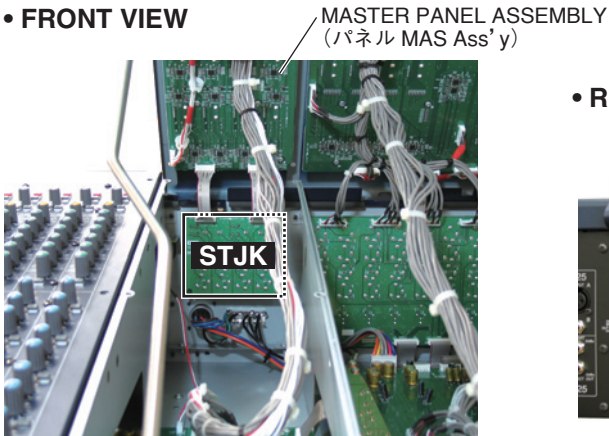
6. STJK Circuit Board
(Time required: About 4 minutes)

- 6-1 Remove the MASTER panel assembly and secure with the control panel stays. (See procedure 3.)
- 6-2 Remove the two (2) screws marked [70A] and eight (8) hexagon nuts marked [150C]. The STJK circuit board can then be removed. (Photo 11)

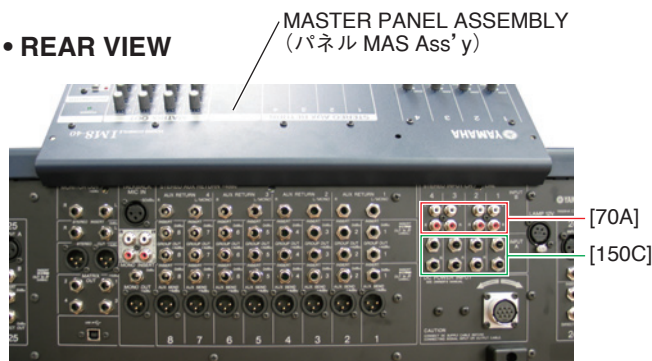
6. STJK シート (所要時間: 約 4 分)

- 6-1 パネル MAS Ass'y を外し、コンパネステーで固定します。(3 項参照)
- 6-2 [70A] のネジ 2 本と [150C] の六角ナット 8 個を外して、STJK シートを外します。(写真 11)

• FRONT VIEW



• REAR VIEW



[70]: BIND HEAD TAPPING SCREW-B (B タイト+B I N D) 3.0X8 MFZN2B3 (WE774400)
 [150]: HEXAGON NUT (特殊六角ナット) M9.0X12X2 MFN133G (VP034300)

Photo 11 (写真 11)

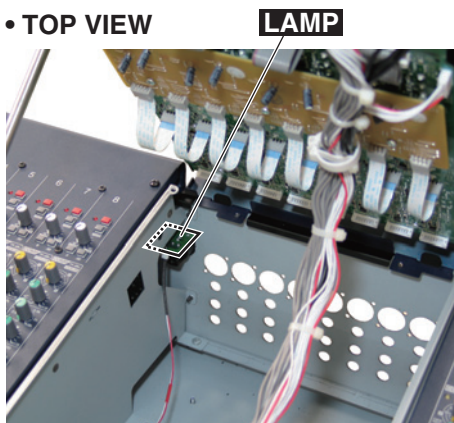
7. LAMP Circuit Board
(Time required: About 9 minutes)

- 7-1 Remove the IN8 panel assembly or MASTER panel assembly corresponding to the LAMP circuit board to be removed and secure with the control panel stay. (See procedures 2 and 3)
- 7-2 Remove the INJK circuit board, MASJK circuit board or STJK circuit board as necessary. (See procedures 4, 5 and 6)
- 7-3 Remove the two (2) screws marked [140B]. The LAMP circuit board can then be removed. (Photo 12)

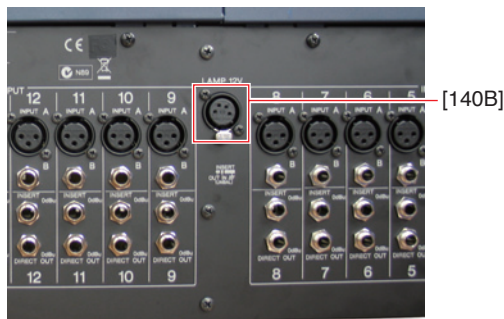
7. LAMP シート (所要時間: 約 9 分)

- 7-1 取り外したい LAMP シートに対応するパネル IN8 Ass'y またはパネル MAS Ass'y を外し、コンパネステーで固定します。(2 項、3 項参照)
- 7-2 状況に応じて INJK シートまたは MASJK シート、STJK シートのいずれかを外します。(4 項、5 項、6 項参照)
- 7-3 [140B] のネジ 2 本を外して、LAMP シートを外します。(写真 12)

• TOP VIEW



• REAR VIEW



[140]: BIND HEAD TAPPING SCREW-B (B タイト+B I N D) 3.0X8 MFZN2B3 (WE774400)

Photo 12 (写真 12)

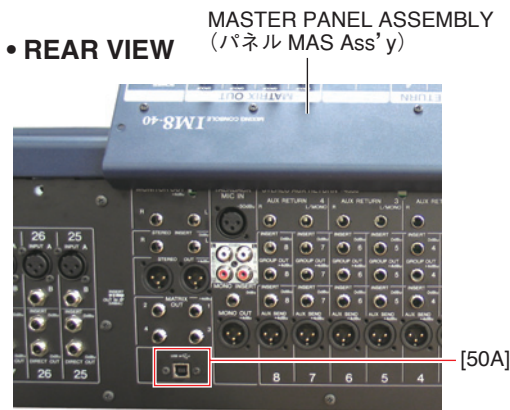
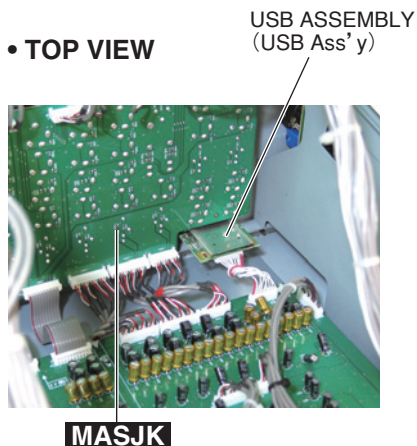
**8. USB Circuit Board
(Time required: About 3 minutes)**

- 8-1 Remove the MASTER panel assembly and secure with the control panel stays. (See procedure 3.)
- 8-2 Remove the two (2) screws marked [50A]. The USB assembly can then be removed. (Photo 13)
- 8-3 Turn the hooks at four (4) positions until they are in the same direction as the holes of the circuit board. (As the hooks at the two (2) positions are soldered, unsolder them before turning the hooks.) (Photo 14)
- 8-4 The USB circuit board and the shield USB can be separated. (Photo 14)

* **The shield USB is not part of the USB circuit board. When replacing the USB circuit board, remove the shield USB and attach it to the new USB circuit board. (Photo 14)**

8. USB シート (所要時間：約3分)

- 8-1 パネル MAS Ass'y を外し、コンパネステーで固定します。(3項参照)
 - 8-2 [50A] のネジ 2 本を外して、USB Ass'y を外します。(写真 13)
 - 8-3 4箇所 のフックを、基板の穴と同じ向きになるようにひねります。(2箇所 のフックは半田付けされているので、半田を外してからひねります。)(写真 14)
 - 8-4 USB シートとシールド USB が分離できます。(写真 14)
- ※ シールド USB は USB シートの構成部品ではありません。USB シートを交換する場合は、シールド USB を取り外して新しい USB シートに取り付けてください。(写真 14)



[50]: BIND HEAD TAPPING SCREW-B (B タイ ト + B I N D) 3.0X8 MFZN2B3 (WE774400)

Photo 13 (写真 13)

• USB Assembly

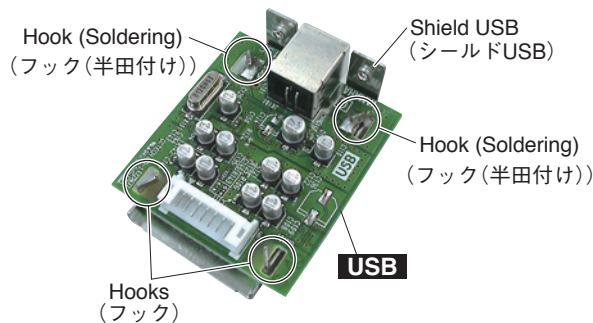


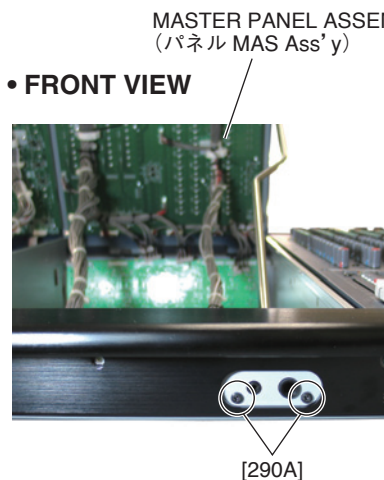
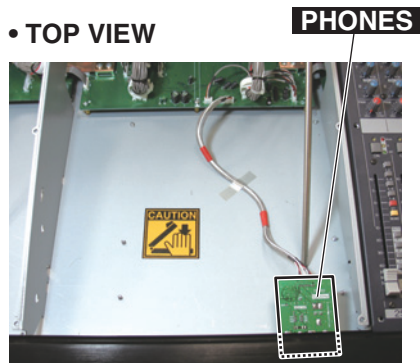
Photo 14 (写真 14)

9. PHONES Circuit Board
(Time required: About 4 minutes)

- 9-1 Remove the MASTER panel assembly and secure with the control panel stays. (See procedure 3.)
- 9-2 Remove the two (2) screws marked [290A]. The PHONES circuit board can then be removed. (Photo 15)

9. PHONES シート (所要時間: 約 4 分)

- 9-1 パネル MAS Ass'y を外し、コンパネステーで固定します。(3 項参照)
- 9-2 [290A] のネジ 2 本を外して、PHONES シートを外します。(写真 15)



[290]: BOND HEAD TAPPING SCREW-B (B タイト+B I N D) 3.0X8 MFZN2B3 (WE774100)

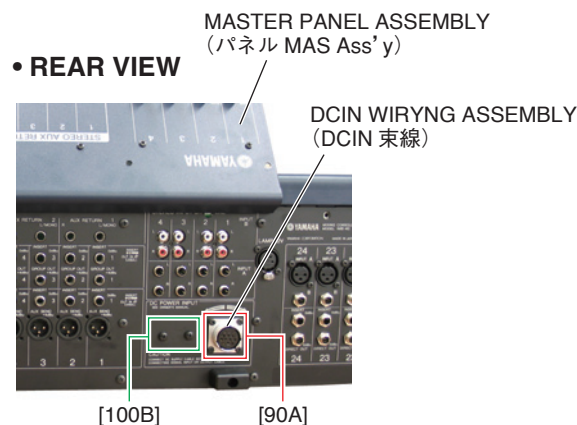
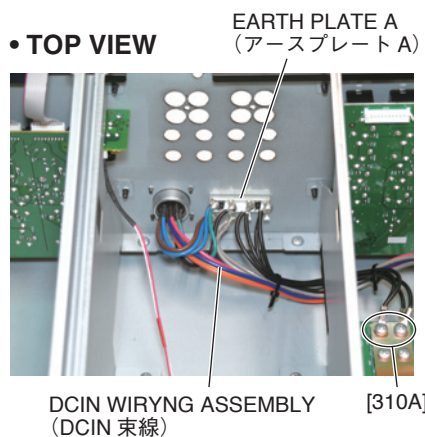
Photo 15 (写真 15)

10. DCIN Wiring Assembly
(Time required: About 5 minutes)

- 10-1 Remove the MASTER panel assembly. (See procedure 3.)
- 10-2 Remove the STJK circuit board. (See procedure 6.)
- 10-3 Remove the four (4) screws marked [90A], two (2) screws marked [100B], and two (2) screws marked [310A]. The DCIN wiring assembly can then be removed. (Photo 16)

10. DCIN 束線 (所要時間: 約 5 分)

- 10-1 パネル MAS Ass'y を外します。(3 項参照)
- 10-2 STJK シートを外します。(6 項参照)
- 10-3 [90A] のネジ 4 本と [100B] のネジ 2 本、[310A] のネジ 2 本を外して、DCIN 束線を外します。(写真 16)



[90]: BIND HEAD TAPPING SCREW-B (B タイト+B I N D) 3.0X8 MFZN2B3 (WE774400)
 [100]: BIND HEAD SCREW (小ネジ+B I N D) 4.0X8 MFZN2B3 IT (WE99710R)
 [310]: BIND HEAD SCREW (小ネジ+B I N D) 4.0X6 MFZN2W3 (WF10580R)

Photo 16 (写真 16)

A. BOTTOM ASSEMBLY SECTION DISASSEMBLY PROCEDURE (ボトム Ass'y 部の分解)

* Handle the following connectors with care when disconnecting them. (Photo 17)

CIRCUIT BOARD	CONNECTOR
SUM	CN501, CN502
BUS1	CN401, CN402
BUS2R (IM8-24)	CN601, CN602
BUS4 (IM8-40, IM8-32)	CN601, CN602

* **The locking clamp is not part of any one of the circuit boards. When replacing a circuit board, remove the locking clamp and install it to a new circuit board. (Photo 18)**

A-1 Remove the panel assembly corresponding to the part to be removed and secure with the control panel stay or remove. (See procedures 2 and 3)

The following table shows corresponding panel assemblies.

Remove the connector at the side with the protruding portion.

(凸部がある側のコネクタを外します。)

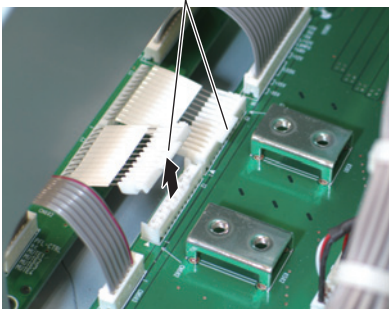


Photo 17 (写真 17)

※ 以下のコネクタの外し方に注意してください。(写真 17)

CIRCUIT BOARD	CONNECTOR
SUM	CN501, CN502
BUS1	CN401, CN402
BUS2R (IM8-24)	CN601, CN602
BUS4 (IM8-40, IM8-32)	CN601, CN602

※ いずれのシートも、ロックングクランプはシートの構成部品ではありません。シートを交換する際はロックングクランプを取り外し、新しいシートに取り付けてください。(写真 18)

A-1 取り外す部品に対応するパネル Ass'y を外し、コンパネステーで固定、または外します。

(2 項、3 項参照)

対応するパネル Ass'y は下表の通りです。

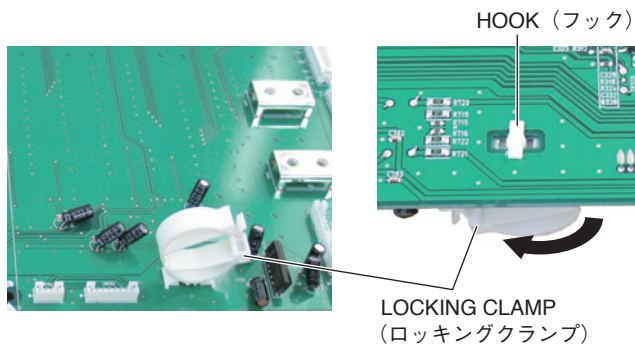


Photo 18 (写真 18)

CIRCUIT BOARD	MODEL	Panel assembly to be secured (固定するパネル Ass'y)	Panel assembly to be removed (取り外すパネル Ass'y)
SUM	IM8-40	MASTER 40 PANEL ASSEMBLY (パネル MAS40Ass'y) IN8 PANEL ASSEMBLY D (パネル IN8D Ass'y)	
	IM8-32	MASTER 32 PANEL ASSEMBLY (パネル MAS32Ass'y) IN8 PANEL ASSEMBLY C (パネル IN8C Ass'y)	
	IM8-24	MASTER 24 PANEL ASSEMBLY (パネル MAS24Ass'y) IN8 PANEL ASSEMBLY C (パネル IN8C Ass'y)	
BUS1	IM8-40	IN8 PANEL ASSEMBLY B (パネル IN8B Ass'y) IN8 PANEL ASSEMBLY C (パネル IN8C Ass'y)	MASTER 40 PANEL ASSEMBLY (パネル MAS40Ass'y)
	IM8-32	IN8 PANEL ASSEMBLY A (パネル IN8A Ass'y) IN8 PANEL ASSEMBLY B (パネル IN8B Ass'y)	MASTER 32 PANEL ASSEMBLY (パネル MAS32Ass'y)
	IM8-24	IN8 PANEL ASSEMBLY A (パネル IN8A Ass'y) IN8 PANEL ASSEMBLY B (パネル IN8B Ass'y)	MASTER 24 PANEL ASSEMBLY (パネル MAS24Ass'y)
BUS3	IM8-40	IN8 PANEL ASSEMBLY B (パネル IN8B Ass'y)	IN8 PANEL ASSEMBLY A (パネル IN8A Ass'y) IN8 PANEL ASSEMBLY C (パネル IN8C Ass'y)
BUS4	IM8-40	MASTER 40 PANEL ASSEMBLY (パネル MAS40Ass'y) IN8 PANEL ASSEMBLY D (パネル IN8D Ass'y)	IN8 PANEL ASSEMBLY E (パネル IN8E Ass'y)
	IM8-32	MASTER 32 PANEL ASSEMBLY (パネル MAS32Ass'y) IN8 PANEL ASSEMBLY C (パネル IN8C Ass'y)	IN8 PANEL ASSEMBLY D (パネル IN8D Ass'y)
BUS2L	IM8-32	IN8 PANEL ASSEMBLY A (パネル IN8A Ass'y)	
	IM8-24	IN8 PANEL ASSEMBLY B (パネル IN8B Ass'y)	
BUS2R	IM8-24	MASTER 24 PANEL ASSEMBLY (パネル MAS24Ass'y) IN8 PANEL ASSEMBLY C (パネル IN8C Ass'y)	

A-2 SUM Circuit Board
(Time required: About 9 minutes)

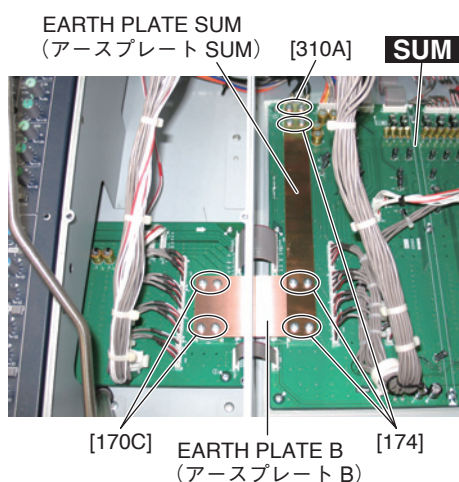
- A-2-1 Remove the corresponding panel assembly and secure with the control panel stay. (See procedure A-1.)
- A-2-2 Remove the four (4) screws marked [170C], six (6) screws marked [174] and two (2) screws marked [310A]. The earth plate SUM and earth plate B can then be removed. (Photo 19)
- A-2-3 Remove the eight (8) screws marked [170D]. The earth plate C can then be removed. (Photo 20)
- A-2-4 Remove the nine (9) screws marked [30B]. The SUM circuit board can then be removed. (Photo 21)
- A-2-5 Remove the two (2) locking clamps from the SUM circuit board. (Photo 18)

* **When installing the SUM circuit board, tighten the screws 1 and 2 shown in Fig. 4 in numerical order and when installing the earth plate SUM, tighten the screws (1) and (2) in numerical order, and then tighten the other screws. (Fig. 4)**

A-2 SUM シート (所要時間：約 9 分)

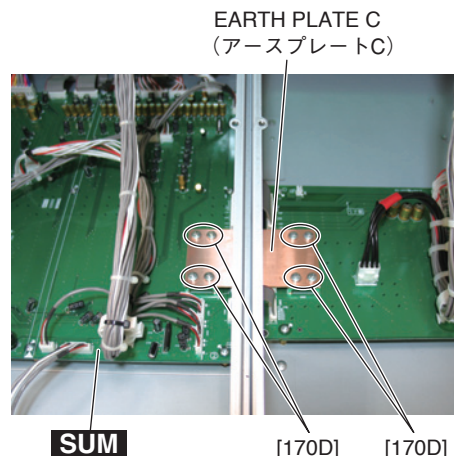
- A-2-1 対応するパネル Ass'y を外し、コンパネステーで固定します。(A-1 項参照)
- A-2-2 [170C] のネジ 4 本と [174] のネジ 6 本、[310A] のネジ 2 本を外して、アースプレート SUM とアースプレート B を外します。(写真 19)
- A-2-3 [170D] のネジ 8 本を外してアースプレート C を外します。(写真 20)
- A-2-4 [30B] のネジ 9 本を外して、SUM シートを外します。(写真 21)
- A-2-5 SUM シートからロッキングクランプ 2 個を外します。(写真 18)

※ SUM シートを取り付ける際は、図 4 に示す 1、2 のネジを、アースプレートを取り付ける際は (1)、(2) のネジを順に締めてから他のネジを締めてください。(図 4)



- [170]: BIND HEAD SCREW (小ネジ+B I N D)
4.0X6 MFZN2W3 (WF10580R)
- [174]: BIND HEAD SCREW (小ネジ+B I N D)
4.0X6 MFZN2W3 (WF10580R)
- [310]: BIND HEAD SCREW (小ネジ+B I N D)
4.0X6 MFZN2W3 (WF10580R)

Photo 19 (写真 19)



- [170]: BIND HEAD SCREW (小ネジ+B I N D)
4.0X6 MFZN2W3 (WF10580R)

Photo 20 (写真 20)

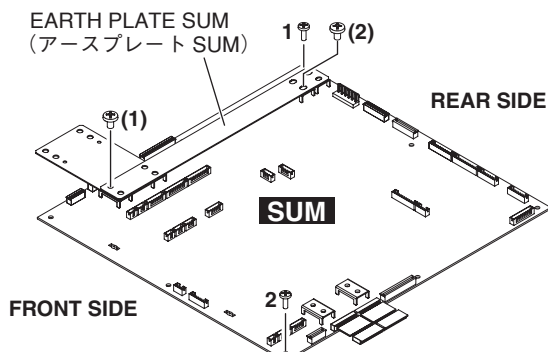
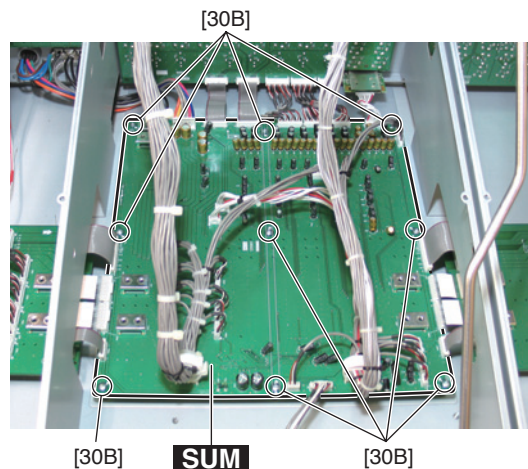


Fig. 4 (図 4)



- [30]: BIND HEAD SCREW (小ネジ+B I N D)
3.0X6 MFZN2W3 (WE774000)

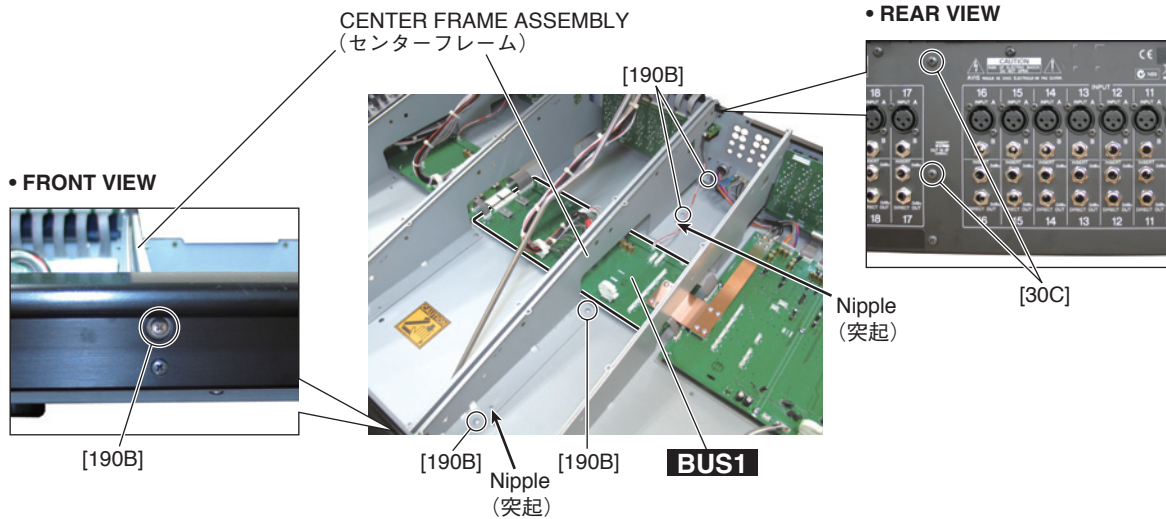
Photo 21 (写真 21)

A-3 BUS1 Circuit Board
(Time required: About 11 minutes)

- A-3-1 Remove the corresponding panel assembly and secure with the control panel stay or remove.
(See procedure A-1.)
- A-3-2 Remove the STJK circuit board. (See procedure 6) (IM8-40 only)
- A-3-3 Remove the two (2) screws marked [30C] and five (5) screws marked [190B]. The center frame assembly over the BUS1 circuit board can then be removed. (Photo 22)
- * **Other center frame assemblies described later can be removed in the same way. To install the center frame assembly, tighten the screws with the two (2) nipples for positioning fitted into the holes of the center frame assembly.**
- A-3-4 Remove the earth plate SUM and earth plate B.
(See procedure A-2-2)
- A-3-5 Remove the eight (8) screws marked [170E]. The earth plate D can then be removed. (Photo 23)
- A-3-6 Remove the six (6) screws marked [50B]. The BUS1 circuit board can then be removed. (Photo 24)

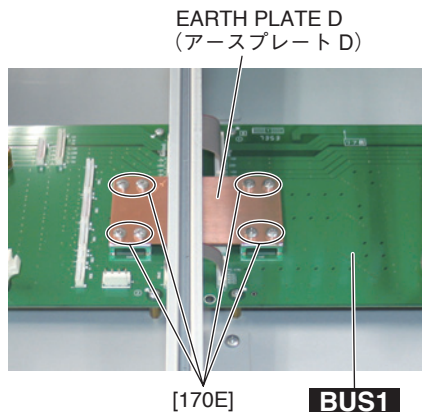
A-3 BUS1 シート (所要時間: 約 11 分)

- A-3-1 対応するパネル Ass'y を外し、コンパネステーで固定、または外します。(A-1 項参照)
- A-3-2 STJK シートを外します。(6 項参照) (IM8-40 のみ)
- A-3-3 [30C] のネジ 2 本と [190B] のネジ 5 本を外して、BUS1 シートにまたがるセンターフレームを外します。(写真 22)
- ※ 以降のセンターフレームも同様に外すことができます。尚、センターフレームは位置決め突起 2 箇所とセンターフレームの穴を合わせてからネジ止めしてください。
- A-3-4 アースプレート SUM とアースプレート B を外します。(A-2-2 参照)
- A-3-5 [170E] のネジ 8 本を外してアースプレート D を外します。(写真 23)
- A-3-6 [50B] のネジ 6 本を外して、BUS1 シートを外します。(写真 24)



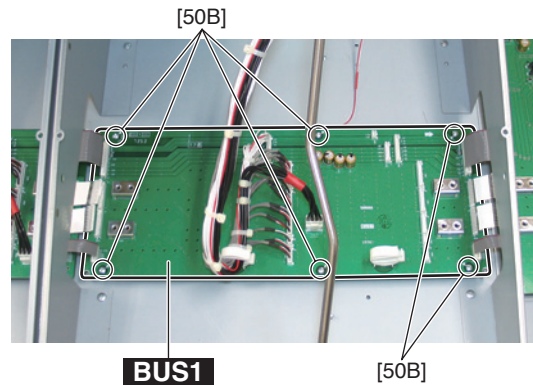
[30]: BIND HEAD TAPPING SCREW-B (B タイト+B I N D) 4.0X10 MFZN2B3 (WE97230R)
 [190]: BIND HEAD TAPPING SCREW-B (B タイト+B I N D) 4.0X8 MFZN2W3 (WE97460R)

Photo 22 (写真 22)



[170]: BIND HEAD SCREW (小ネジ+B I N D) 4.0X6 MFZN2W3 (WF10580R)

Photo 23 (写真 23)



[50]: BIND HEAD SCREW (小ネジ+B I N D) 3.0X6 MFZN2W3 (WE774000)

Photo 24 (写真 24)

- A-3-7 Remove the two (2) locking clamps from the BUS1 circuit board. (Photo 18)
- * **When installing the BUS1 circuit board, tighten the screws 1 and 2 shown in Fig. 5 in numerical order and then tighten the other screws.**

- A-3-7 BUS1シートからロックングクランプ2個を外します。(写真18)
- ※ BUS1シートを取り付ける際は、図5に示す1、2のネジを順に締めてから他のネジを締めてください。

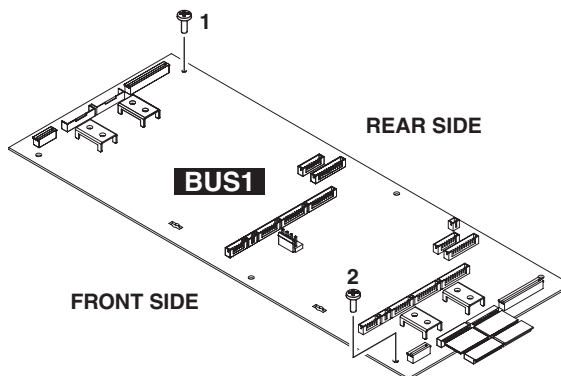


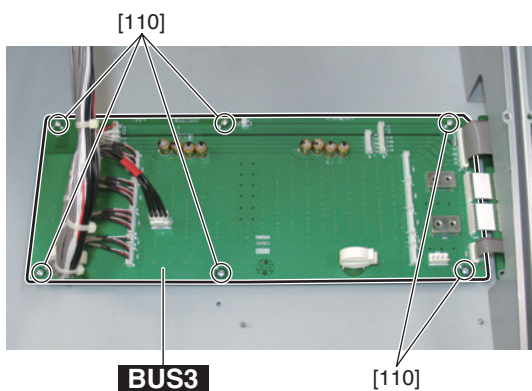
Fig. 5 (図5)

**A-4 BUS3 Circuit Board (IM8-40)
(Time required: About 3 minutes)**

- A-4-1 Remove the corresponding panel assembly and secure with the control panel stay or remove. (See procedure A-1.)
- A-4-2 Remove the INJK circuit board (9 – 16 CH). (See procedure 4.)
- A-4-3 Remove the center frame assembly over the BUS3 circuit board (See procedure A-3-3)
- A-4-4 Remove the earth plate D. (See procedure A-3-5)
- A-4-5 Remove the six (6) screws marked [110]. The BUS3 circuit board can then be removed. (Photo 25)
- A-4-6 Remove the two (2) locking clamps from the BUS3 circuit board. (Photo 18)
- * **When installing the BUS3 circuit board, tighten the screws 1 and 2 shown in Fig. 6 in numerical order and then tighten the other screws.**

A-4 BUS3シート (IM8-40) (所要時間：約3分)

- A-4-1 対応するパネル Ass'y を外し、コンパネステーで固定、または外します。(A-1 項参照)
- A-4-2 INJKシート (9-16 CH) を外します。(4 項参照)
- A-4-3 BUS3シートにまたがるセンターフレームを外します。(A-3-3 参照)
- A-4-4 アースプレート D を外します。(A-3-5 参照)
- A-4-5 [110] のネジ 6 本を外して、BUS3シートを外します。(写真25)
- A-4-6 BUS3シートからロックングクランプ2個を外します。(写真18)
- ※ BUS3シートを取り付ける際は、図6に示す1、2のネジを順に締めてから他のネジを締めてください。



[110]: BIND HEAD SCREW (小ネジ+B I N D) 3.0X6 MFZN2W3 (WE774000)

Photo 25 (写真25)

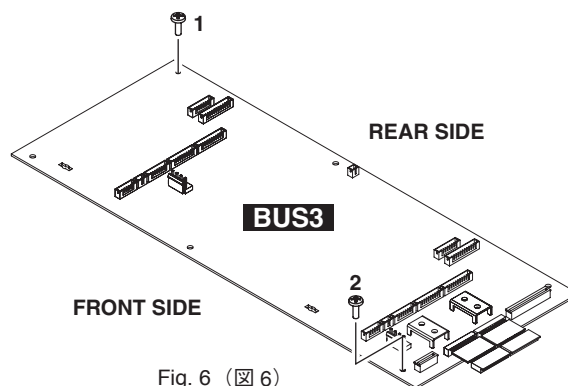


Fig. 6 (図6)

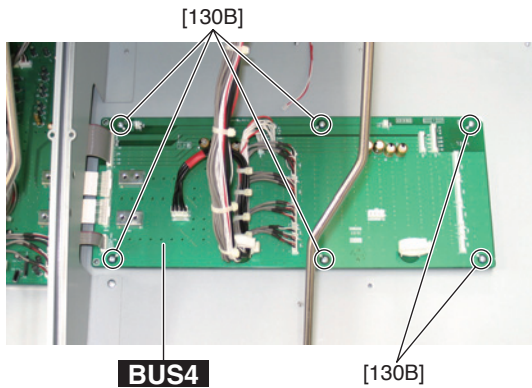
A-5 BUS4 Circuit Board (IM8-40, IM8-32)
(Time required: About 3 minutes)

- A-5-1 Remove the corresponding panel assembly and secure with the control panel stay or remove.
 (See procedure A-1.)
- A-5-2 Remove the INJK circuit board. (See procedure 4.)
 IM8-40: INJK Circuit Board (33 – 40 CH)
 IM8-32: INJK Circuit Board (25 – 32 CH)
- A-5-3 Remove the center frame assembly over the BUS4 circuit board (See procedure A-3-3)
- A-5-3 Remove the earth plate C. (See procedure A-2-3)
- A-5-4 Remove the six (6) screws marked [130B]. The BUS4 circuit board can then be removed. (Photo 26)
- A-5-5 Remove the two (2) locking clamps from the BUS4 circuit board. (Photo 18)

* **When installing the BUS4 circuit board, tighten the screws 1 and 2 shown in Fig. 7 in numerical order and then tighten the other screws.**

A-5 BUS4 シート (IM8-40, IM8-32)
(所要時間：約3分)

- A-5-1 対応するパネル Ass'y を外し、コンパネステーで固定、または外します。(A-1 項参照)
 - A-5-2 INJK シートを外します。(4 項参照)
IM8-40: INJK シート (33 – 40 CH)
IM8-32: INJK シート (25 – 32 CH)
 - A-5-3 BUS4 シートにまたがるセンターフレームを外します。(A-3-3 参照)
 - A-5-3 アースプレート C を外します。(A-2-3 参照)
 - A-5-4 [130B] のネジ 6 本を外して、BUS4 シートを外します。(写真 26)
 - A-5-5 BUS4 シートからロックングクランプ 2 個を外します。(写真 18)
- ※ BUS4 シートを取り付ける際は、図 7 に示す 1、2 のネジを順に締めてから他のネジを締めてください。



[130]: BIND HEAD SCREW (小ネジ+ B I N D) 3.0X6 MFZN2W3 (WE774000)
 Photo 26 (写真 26)

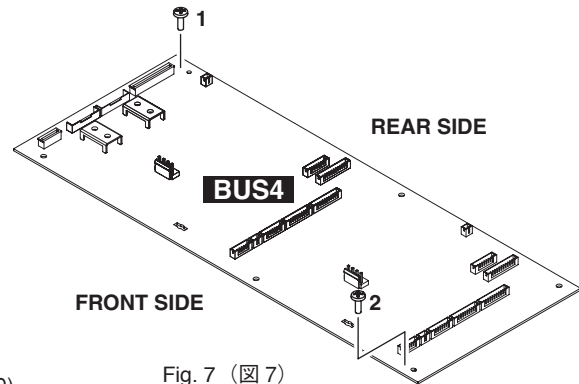
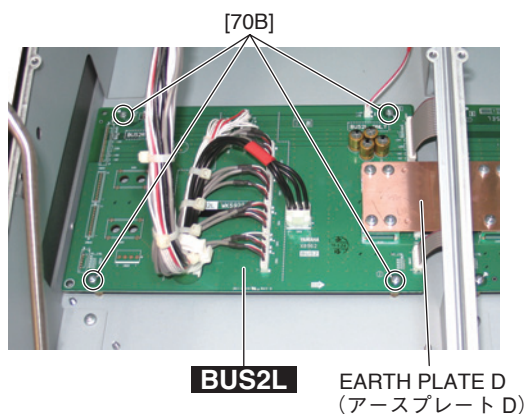


Fig. 7 (図 7)

A-6 BUS2L Circuit Board (IM8-32, IM8-24) (Time required: About 3 minutes)

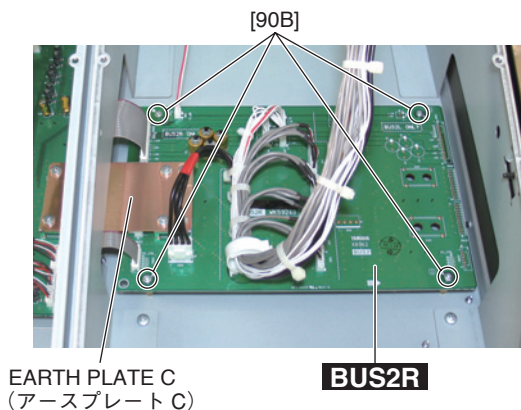
- A-6-1 Remove the corresponding panel assembly and secure with the control panel stay. (See procedure A-1.)
- A-6-2 Remove the earth plate D. (See procedure A-3-5)
- A-6-3 Remove the four (4) screws marked [70B]. The BUS2L circuit board can then be removed. (Photo 27)
- A-6-4 Remove the locking clamp from the BUS2L circuit board. (Photo 18)
- * **When installing the BUS2L circuit board, tighten the screws 1 and 2 shown in Fig. 8 in numerical order and then tighten the other screws.**



[70]: BIND HEAD SCREW (小ネジ+B I N D) 3.0X6 MFZN2W3 (WE774000)
Photo 27 (写真 27)

A-7 BUS2R Circuit Board (IM8-24) (Time required: About 3 minutes)

- A-7-1 Remove the corresponding panel assembly and secure with the control panel stay. (See procedure A-1.)
- A-7-2 Remove the earth plate C. (See procedure A-2-3)
- A-7-3 Remove the four (4) screws marked [90B]. The BUS2R circuit board can then be removed. (Photo 28)
- A-7-4 Remove the locking clamp from the BUS2R circuit board. (Photo 18)
- * **When installing the BUS2R circuit board, tighten the screws 1 and 2 shown in Fig. 9 in numerical order and then tighten the other screws.**



[90]: BIND HEAD SCREW (小ネジ+B I N D) 3.0X6 MFZN2W3 (WE774000)
Photo 28 (写真 28)

A-6 BUS2L シート (IM8-32, IM8-24) (所要時間: 約 3 分)

- A-6-1 対応するパネル Ass'y を外し、コンパネステーで固定します。(A-1 項参照)
- A-6-2 アースプレート D を外します。(A-3-5 参照)
- A-6-3 [70B] のネジ 4 本を外して、BUS2L シートを外します。(写真 27)
- A-6-4 BUS2L シートからロッキングクランプ 1 個を外します。(写真 18)
- ※ BUS2L シートを取り付ける際は、図 8 に示す 1、2 のネジを順に締めてから他のネジを締めてください。

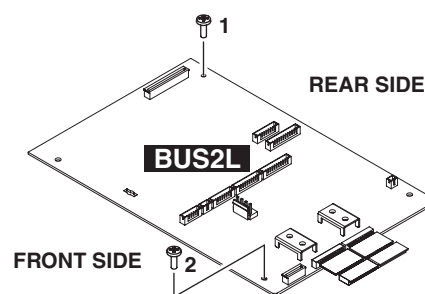


Fig. 8 (図 8)

A-7 BUS2R シート (IM8-24) (所要時間: 約 3 分)

- A-7-1 対応するパネル Ass'y を外し、コンパネステーで固定します。(A-1 項参照)
- A-7-2 アースプレート C を外します。(A-2-3 参照)
- A-7-3 [90B] のネジ 4 本を外して、BUS2R シートを外します。(写真 28)
- A-7-4 BUS2R シートからロッキングクランプ 1 個を外します。(写真 18)
- ※ BUS2R シートを取り付ける際は、図 9 に示す 1、2 のネジを順に締めてから他のネジを締めてください。

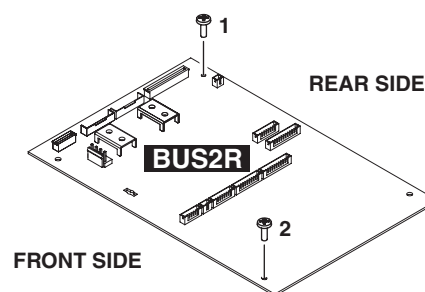


Fig. 9 (図 9)

A-8 Front Pad (Time required: About 3 minutes)

A-8-1 Remove all the panel assemblies and secure with the control panel stays or remove. (See procedures 2 and 3)

A-8-2 Remove the screws marked [270A]. The front pad can then be removed. The number of screws to be removed differs among products. (Photo 29)

IM8-40: [270A] x 14

IM8-32: [270A] x 12

IM8-24: [270A] x 10

* **When installing the front pad, tighten the screw 1 shown in Photo 29 and then tighten the other screws. (Photo 29)**

A-8 フロントパッド (所要時間: 約3分)

A-8-1 全てのパネル Ass'y を外し、コンパネステーで固定、または外します。(2項、3項参照)

A-8-2 [270A] のネジを外して、フロントパッドを外します。モデルによって外すネジの本数が違います。(写真 29)

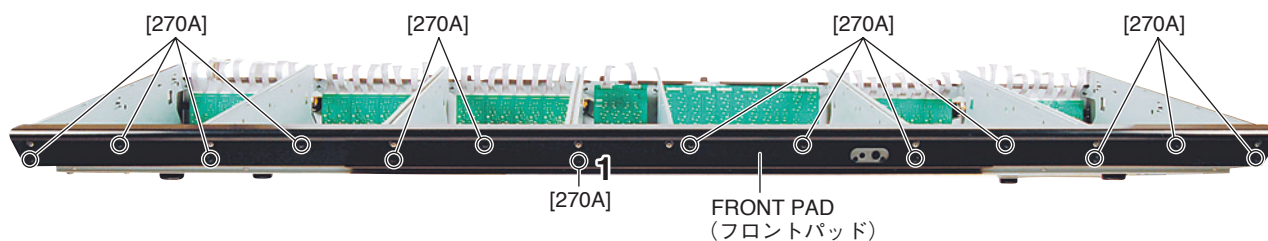
IM8-40: [270A] x 14

IM8-32: [270A] x 12

IM8-24: [270A] x 10

※ フロントパッドを取り付ける際は、写真 29 に示す 1 のネジを締めてから他のネジを締めてください。(写真 29)

• FRONT VIEW



[270]: BIND HEAD TAPPING SCREW-B (B タイト+B I N D) 4.0X10 MFZN2B3 (WE97230R)

Photo 29 (写真 29)

B. IN8 PANEL ASSEMBLY DISASSEMBLY PROCEDURE (パネル IN8 Ass'y の分解)

B-1 Remove the IN8 panel assembly. (See procedure 2.)

B-1 パネル IN8 Ass'y を外します。(2項参照)

B-2 COMP Circuit Board (Time required: About 9 minutes)

B-2 COMP シート (所要時間: 約9分)

B-2-1 Remove the three (3) screws marked [270B]. The COMP circuit board can then be removed. (Photo 30)

B-2-1 [270B] のネジ 3 本を外し、COMP シートを外します。(写真 30)

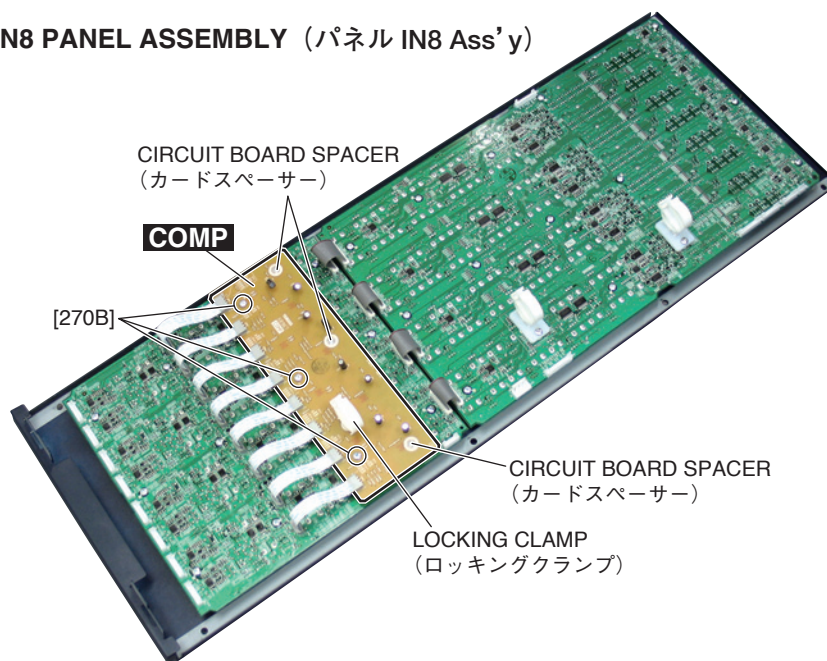
B-2-2 Remove the locking clamp and three (3) circuit board spacers from the COMP circuit board. (Photo 30)

B-2-2 COMP シートからロッキングクランプ 1 個とカードスペーサー 3 個を外します。(写真 30)

* **The locking clamp and circuit board spacers are not part of the COMP circuit board. When replacing the COMP circuit board, remove the locking clamp and circuit board spacers and install them to the new circuit board.**

※ ロッキングクランプとカードスペーサーは COMP シートの構成部品ではありません。COMP シートを交換する際はロッキングクランプとカードスペーサーを取り外し、新しいシートに取り付けてください。

• IN8 PANEL ASSEMBLY (パネル IN8 Ass'y)



[270]: BIND HEAD SCREW (小ネジ+B I N D) 3.0X6 MFZN2W3 (WE774000)

Photo 30 (写真 30)

B-3 IN1 Circuit Board
(Time required: About 9 minutes)

- B-3-1 Remove the knobs in the portion A shown in Photo 31 from the control panel surface. (Photo 31)
- B-3-2 Remove the COMP circuit board. (See procedure B-2.)
- B-3-3 Remove the nine (9) screws marked [30D] and three (3) hexagon spacers. The IN1 circuit board can then be removed. (Photo 32)

* **The IN1 circuit board contains the following buttons. (Photo 33)**

- [140C] Button HPF (D-GRAY/WHITE) 32 pcs.
- [150D] Button HPF RED (RED) 8 pcs.

The buttons are not part of the IN1 circuit board. When replacing the IN1 circuit board, remove the buttons from the IN1 circuit board and install them to the new circuit board.

B-4 IN2 Circuit Board
(Time required: About 9 minutes)

- B-4-1 Remove the knobs in the portion B shown in Photo 31 from the control panel surface. (Photo 31)
- B-4-2 Remove the screw marked [100C] and remove the spacer clamp and locking clamp together. (Photo 32) Two (2) spacer clamps and locking clamps are installed.
- B-4-3 Remove the thirteen (13) screws marked [70C]. The IN2 circuit board can then be removed. (Photo 32)

* **The IN2 circuit board contains the following buttons. (Photo 34)**

- [140D]: Button HPF (D-GRAY/WHITE) 104 pcs.
- [150E]: Button HPF RED (RED) 8 pcs.
- [160B]: Button HPF (YELLOW/WHITE) 8 pcs.
- [170F]: Button TAP (D-GRAY) 8 pcs.

The buttons are not part of the IN2 circuit board. When replacing the IN2 circuit board, remove the buttons from the IN2 circuit board and install them to the new circuit board.

B-3 IN1 シート (所要時間: 約 9 分)

- B-3-1 コントロールパネル面より、写真 31 に示す A 部のノブを外します。(写真 31)
- B-3-2 COMP シートを外します。(B-2 項参照)
- B-3-3 [30D] のネジ 9 本と六角スペーサー 3 個を外し、IN1 シートを外します。(写真 32)

※ IN1 シートには次のボタンがついています。(写真 33)
 [140C] ボタン HPF (D-GRAY/WHITE) 32 個
 [150D] ボタン HPF RED (RED) 8 個
 これらのボタンは、IN1 シートの構成部品ではありません。IN1 シートを交換する際は IN1 シートからボタンを取り外し、新しいシートに取り付けてください。

B-4 IN2 シート (所要時間: 約 9 分)

- B-4-1 コントロールパネル面より、写真 31 に示す B 部のノブを外します。(写真 31)
- B-4-2 [100C] のネジ 1 本を外して、スペーサ CLAMP とロッキングクランプを共に外します。(写真 32) スペーサ CLAMP とロッキングクランプは 2 個取り付けられています。
- B-4-3 [70C] のネジ 13 本を外して、IN2 シートを外します。(写真 32)

※ IN2 シートには次のボタンがついています。(写真 34)
 [140D]: ボタン HPF (D-GRAY/WHITE) 104 個
 [150E]: ボタン HPF RED (RED) 8 個
 [160B]: ボタン HPF (YELLOW/WHITE) 8 個
 [170F]: ボタン TAP (D-GRAY) 8 個
 これらのボタンは、IN2 シートの構成部品ではありません。IN2 シートを交換する際は IN2 シートからボタンを取り外し、新しいシートに取り付けてください。

• IN8 PANEL ASSEMBLY
(パネル IN8 Ass'y)

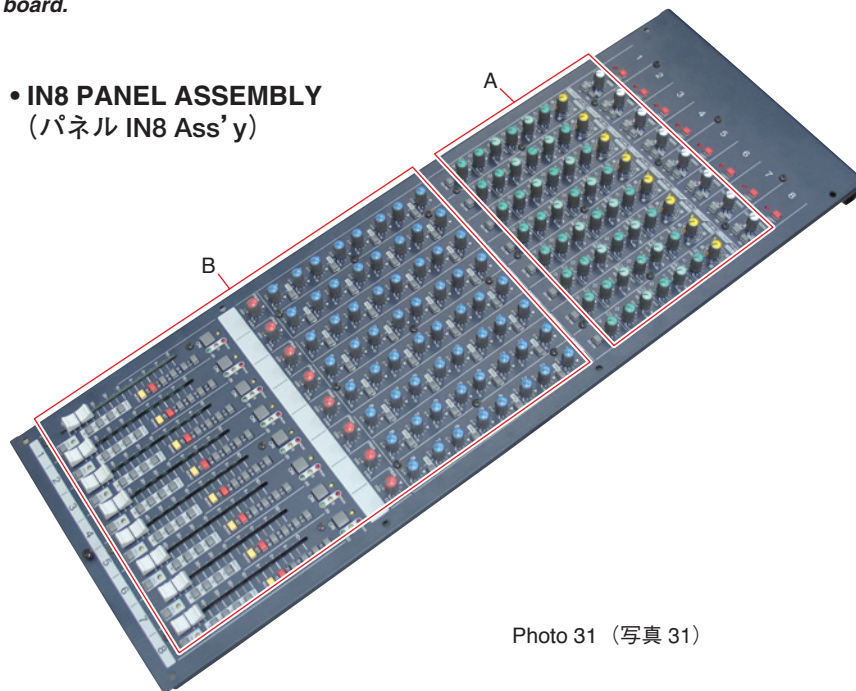
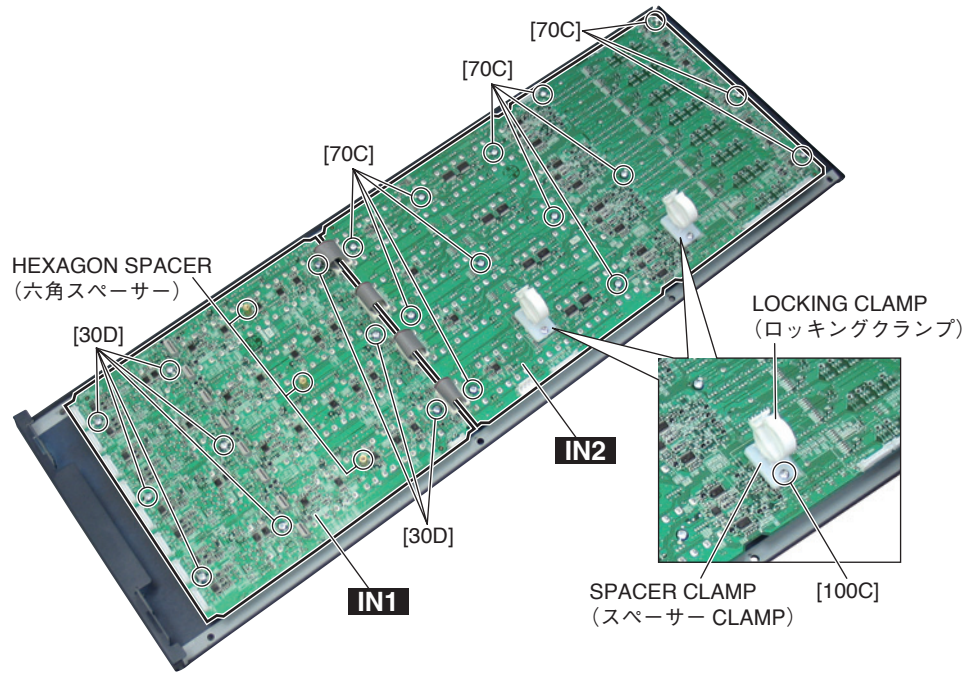


Photo 31 (写真 31)

• IN8 PANEL ASSEMBLY (パネル IN8 Ass'y)



- [30]: BIND HEAD SCREW (小ネジ+B I N D) 3.0X6 MFZN2W3 (WE774000)
- [70]: BIND HEAD SCREW (小ネジ+B I N D) 3.0X6 MFZN2W3 (WE774000)
- [100]: BIND HEAD SCREW (小ネジ+B I N D) 3.0X12 MFZN2W3 (WE953000)

Photo 32 (写真 32)

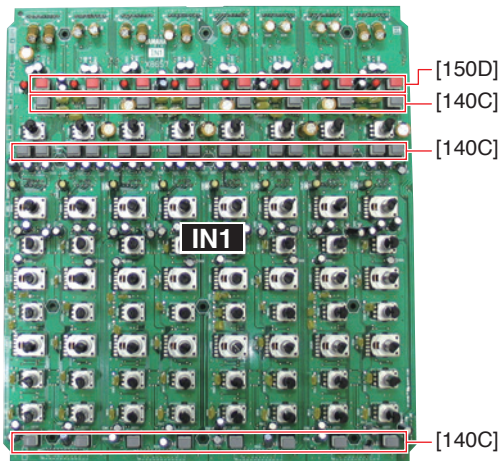


Photo 33 (写真 33)

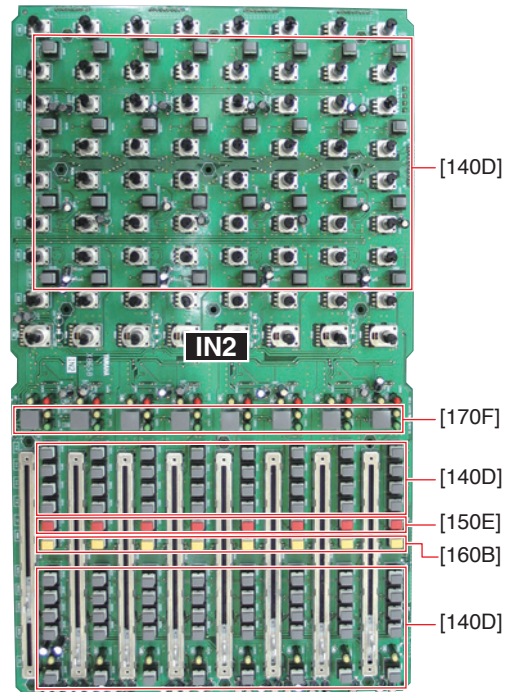


Photo 34 (写真 34)

C. MASTER PANEL ASSEMBLY DISASSEMBLY PROCEDURE (パネル MAS Ass'y の分解)

C-1 Remove the MASTER panel assembly.
(See procedure 3.)

C-1 パネル MAS Ass'y を外します。(3項参照)

C-2 ST1 Circuit Board (Time required: About 9 minutes)

C-2 ST1 シート (所要時間: 約9分)

- C-2-1 Remove the knobs in the portion C shown in Photo 35 from the control panel surface. (Photo 35)
- C-2-2 Remove the screw marked [60B] and remove the spacer clamp and locking clamp together. (Photo 36)
- C-2-3 Remove the seven (7) screws marked [30E]. The ST1 circuit board can then be removed. (Photo 36)

C-2-1 コントロールパネル面より、写真 35 に示す C 部のノブを外します。(写真 35)

C-2-2 [60B] のネジ 1 本を外して、スペーサ CLAMP とロッキングクランプを共に外します。(写真 36)

C-2-3 [30E] のネジ 7 本を外して、ST1 シートを外します。(写真 36)

* **Two (2) mini clamps and the following buttons are mounted on the ST1 circuit board.**
(Photo 36, Photo 37)

※ ST1 シートにはミニクランプ 2 個と次のボタンがついています。(写真 36、写真 37)

[290B]: Button HPF (D-GRAY/WHITE) 4 pcs.

[290B]: ボタン HPF (D-GRAY/WHITE) 4 個
ミニクランプとこのボタンは、ST1 シートの構成部品ではありません。ST1 シートを交換する際は ST1 シートからミニクランプとボタンを取り外し、新しいシートに取り付けてください。

The mini clamps and buttons are not part of the ST1 circuit board. When replacing the ST1 circuit board, remove the mini clamps and buttons from the ST1 circuit board and install them to the new circuit board.

• MASTER 40 PANEL ASSEMBLY (パネル MAS40Ass'y)

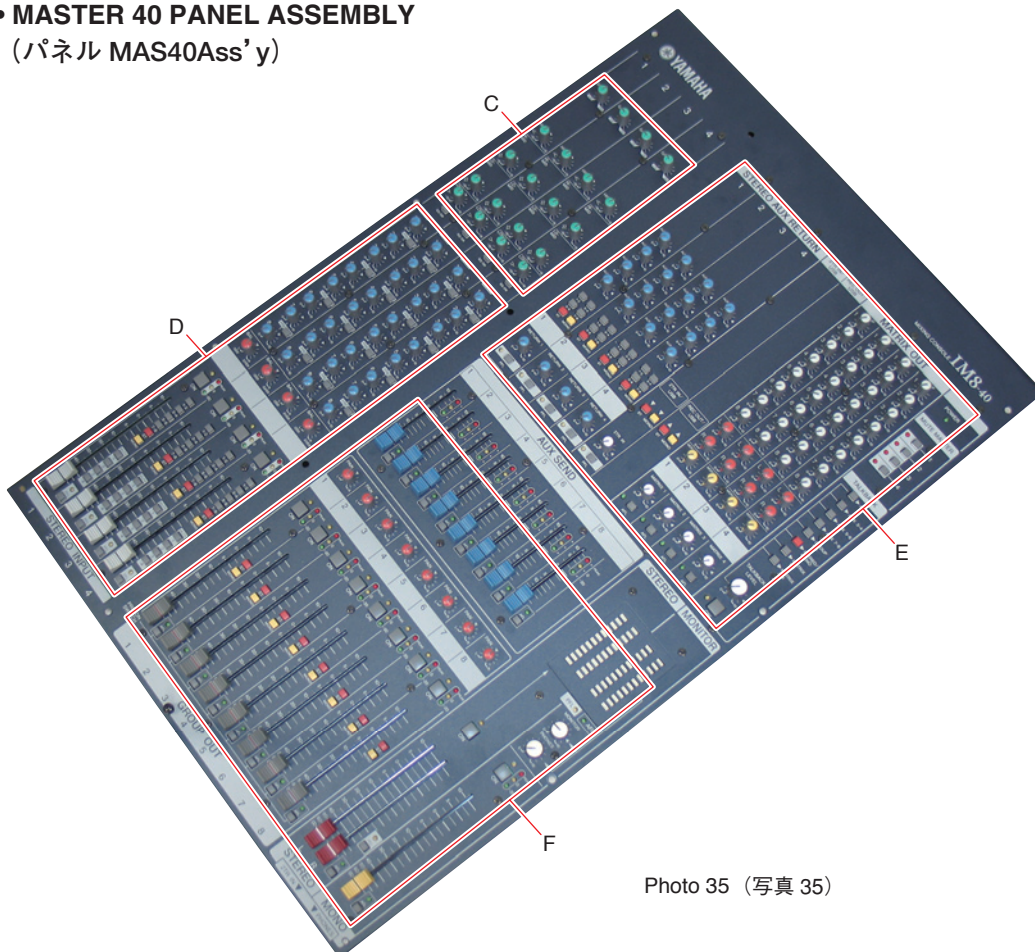


Photo 35 (写真 35)

C-3 ST2 Circuit Board (Time required: About 9 minutes)

- C-3-1 Remove the knobs in the portion D shown in Photo 35 from the control panel surface. (Photo 35)
- C-3-2 Remove the screw marked [130C] and remove the spacer clamp and locking clamp together. (Photo 36)
- C-3-3 Remove the nine (9) screws marked [100D]. The ST2 circuit board can then be removed. (Photo 36)

* **The ST2 circuit board contains the following buttons. (Photo 38)**

[290C] Button HPF (D-GRAY/WHITE) 52 pcs.

[300A] Button HPF RED (RED) 4 pcs.

[310B] Button HPF (YELLOW/WHITE) 4 pcs.

[320A] Button TAP (D-GRAY) 4 pcs.

The buttons are not part of the ST2 circuit board. When replacing the ST2 circuit board, remove the buttons from the ST2 circuit board and install them to the new circuit board.

C-3 ST2 シート (所要時間: 約 9 分)

C-3-1 コントロールパネル面より、写真 35 に示す D 部のノブを外します。(写真 35)

C-3-2 [130C] のネジ 1 本を外して、スペーサ CLAMP とロッキングクランプを共に外します。(写真 36)

C-3-3 [100D] のネジ 9 本を外して、ST2 シートを外します。(写真 36)

※ ST2 シートには次のボタンがついています。(写真 38)

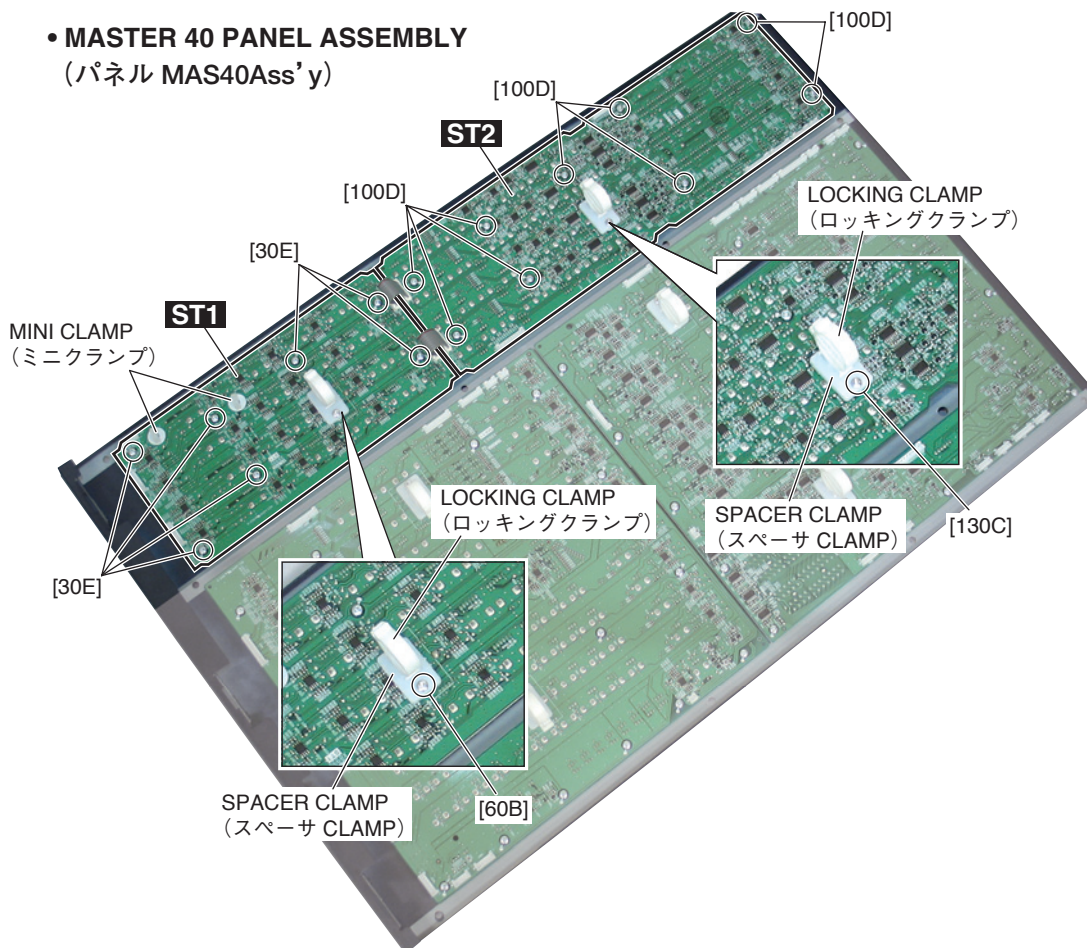
[290C] ボタン HPF (D-GRAY/WHITE) 52 個

[300A] ボタン HPF RED (RED) 4 個

[310B] ボタン HPF (YELLOW/WHITE) 4 個

[320A] ボタン TAP (D-GRAY) 4 個

これらのボタンは、ST2 シートの構成部品ではありません。ST2 シートを交換する際は ST2 シートからボタンを取り外し、新しいシートに取り付けてください。



[30]: BIND HEAD SCREW (小ネジ+B I N D) 3.0X6 MFZN2W3 (WE774000)

[60]: BIND HEAD SCREW (小ネジ+B I N D) 3.0X12 MFZN2W3 (WE953000)

[100]: BIND HEAD SCREW (小ネジ+B I N D) 3.0X6 MFZN2W3 (WE774000)

[130]: BIND HEAD SCREW (小ネジ+B I N D) 3.0X12 MFZN2W3 (WE953000)

Photo 36 (写真 36)

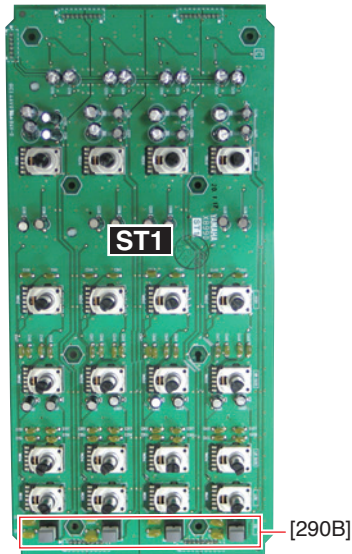


Photo 37 (写真 37)

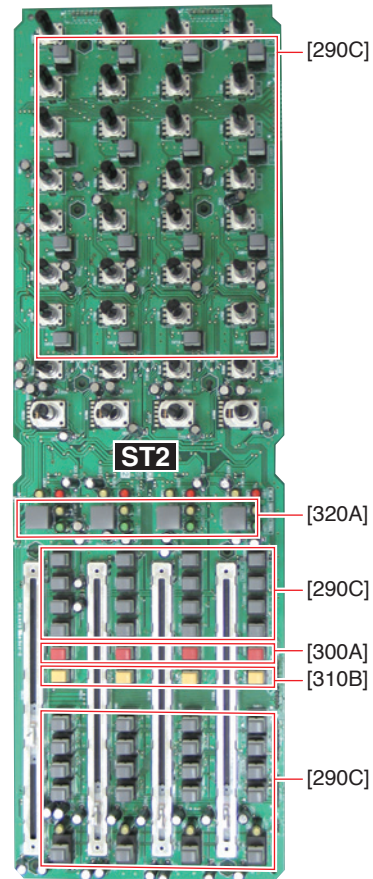


Photo 38 (写真 38)

C-4 MAS1 Circuit Board (Time required: About 9 minutes)

- C-4-1 Remove the knobs in the portion E shown in Photo 35 from the control panel surface. (Photo 35)
- C-4-2 Remove the screw marked [190C] and remove the spacer clamp and locking clamp together. (Photo 39)
Two (2) spacer clamps and locking clamps are installed.
- C-4-3 Remove the nineteen (19) screws marked [160C]. The MAS1 circuit board can then be removed. (Photo 39)

* **The MAS1 circuit board contains the following buttons. (Photo 40)**

- [290D] Button HPF (D-GRAY/WHITE) 36 pcs.
- [300B] Button HPF RED (RED) 7 pcs.
- [310C] Button HPF (YELLOW/WHITE) 6 pcs.
- [320B] Button TAP (D-GRAY) 1 pc.

The buttons are not part of the MAS1 circuit board. When replacing the MAS1 circuit board, remove the buttons from the MAS1 circuit board and install them to the new circuit board.

C-4 MAS1 シート (所要時間：約 9 分)

- C-4-1 コントロールパネル面より、写真 35 に示す E 部のノブを外しておきます。(写真 35)
- C-4-2 [190C] のネジ 1 本を外して、スペーサ CLAMP とロッキングクランプを共に外します。(写真 39)
スペーサ CLAMP とロッキングクランプは 2 個取り付けられています。
- C-4-3 [160C] のネジ 19 本を外して、MAS1 シートを外します。(写真 39)

※ MAS1 シートには次のボタンがついています。(写真 40)

- [290D] ボタン HPF (D-GRAY/WHITE) 36 個
- [300B] ボタン HPF RED (RED) 7 個
- [310C] ボタン HPF (YELLOW/WHITE) 6 個
- [320B] ボタン TAP (D-GRAY) 1 個

これらのボタンは、MAS1 シートの構成部品ではありません。MAS1 シートを交換する際は MAS1 シートからボタンを取り外し、新しいシートに取り付けてください。

C-5 MAS2 Circuit Board
(Time required: About 9 minutes)

- C-5-1 Remove the knobs in the portion F shown in Photo 35 from the control panel surface. (Photo 35)
- C-5-2 Remove the screw marked [250] and remove the spacer clamp and locking clamp together. (Photo 39)
 Two (2) spacer clamps and locking clamps are installed.
- C-5-3 Remove the sixteen (16) screws marked [220]. The MAS2 circuit board can then be removed. (Photo 39)

* **The MAS2 circuit board contains the following buttons. (Photo 41)**

- [290E] Button HPF (D-GRAY/WHITE) 19 pcs.
- [300C] Button HPF RED RED 8 pcs.
- [310D] Button HPF (YELLOW/WHITE) 8 pcs.
- [320C] Button TAP (D-GRAY) 10 pcs.

The buttons are not part of the MAS2 circuit board. When replacing the MAS2 circuit board, remove the buttons from the MAS2 circuit board and install them to the new circuit board.

C-5 MAS2 シート (所要時間: 約 9 分)

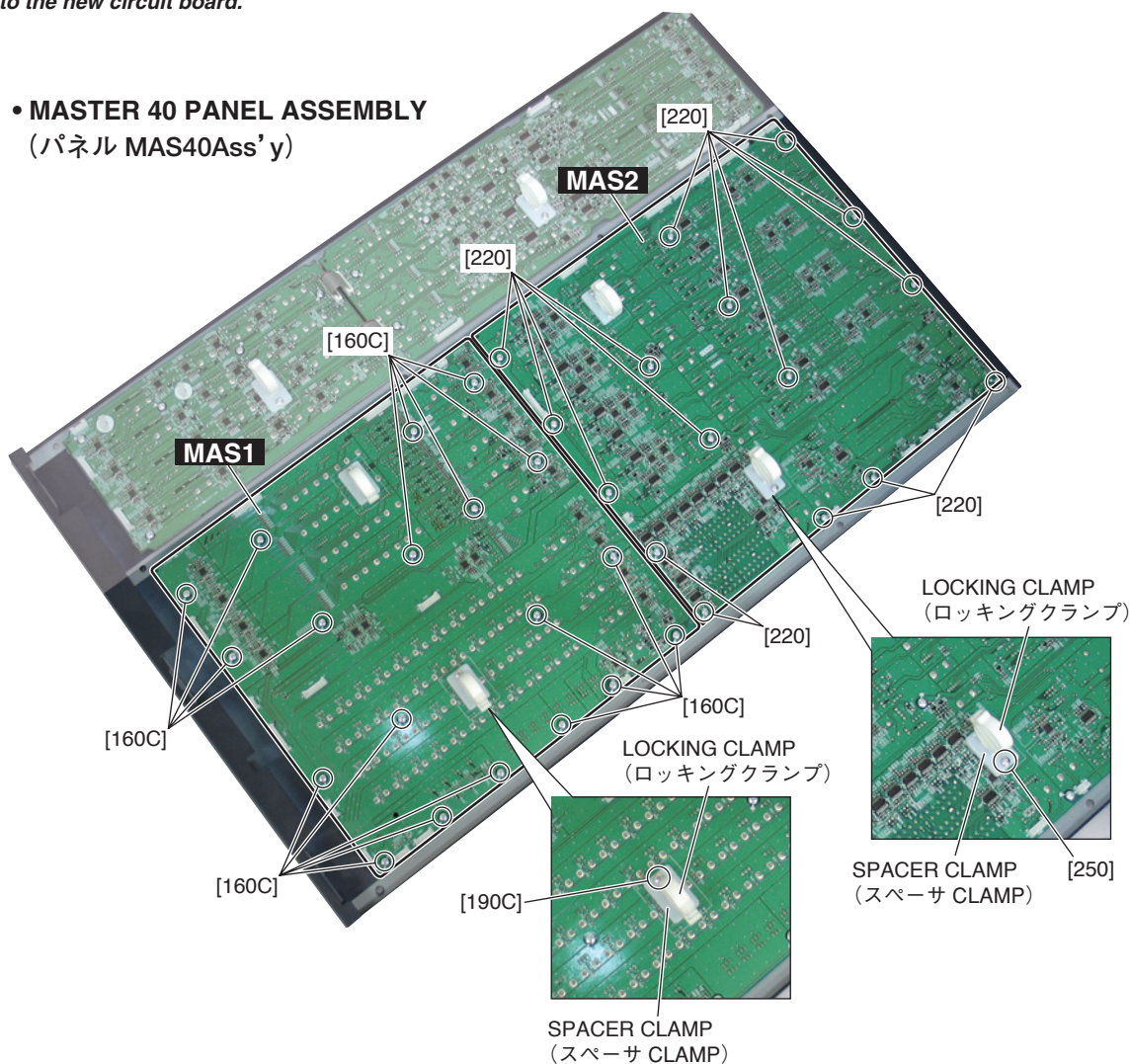
- C-5-1 コントロールパネル面より、写真 35 に示す F 部のノブを外しておきます。(写真 35)
- C-5-2 [250] のネジ 1 本を外して、スペーサ CLAMP とロッキングクランプを共に外します。(写真 39)
 スペーサ CLAMP とロッキングクランプは 2 個取り付けられています。
- C-5-3 [220] のネジ 16 本を外して、MAS2 シートを外します。(写真 39)

※ MAS2 シートには次のボタンがついています。(写真 41)

- [290E] ボタン HPF (D-GRAY/WHITE) 19 個
- [300C] ボタン HPF RED (RED) 8 個
- [310D] ボタン HPF (YELLOW/WHITE) 8 個
- [320C] ボタン TAP (D-GRAY) 10 個

これらのボタンは、MAS2 シートの構成部品ではありません。MAS2 シートを交換する際は MAS2 シートからボタンを取り外し、新しいシートに取り付けてください。

• MASTER 40 PANEL ASSEMBLY
(パネル MAS40Ass'y)



- [160]: BIND HEAD SCREW (小ネジ+B I N D) 3.0X6 MFZN2W3 (WE774000)
- [190]: BIND HEAD SCREW (小ネジ+B I N D) 3.0X12 MFZN2W3 (WE953000)
- [220]: BIND HEAD SCREW (小ネジ+B I N D) 3.0X6 MFZN2W3 (WE774000)
- [250]: BIND HEAD SCREW (小ネジ+B I N D) 3.0X12 MFZN2W3 (WE953000)

Photo 39 (写真 39)

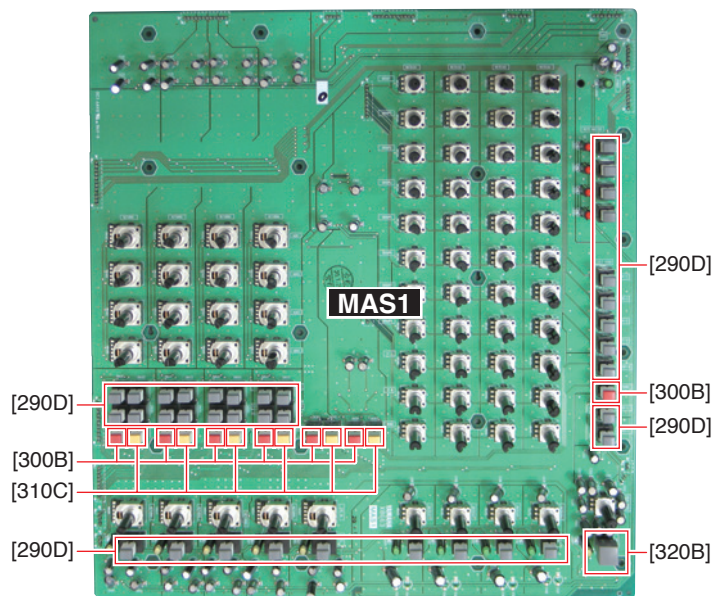


Photo 40 (写真 40)

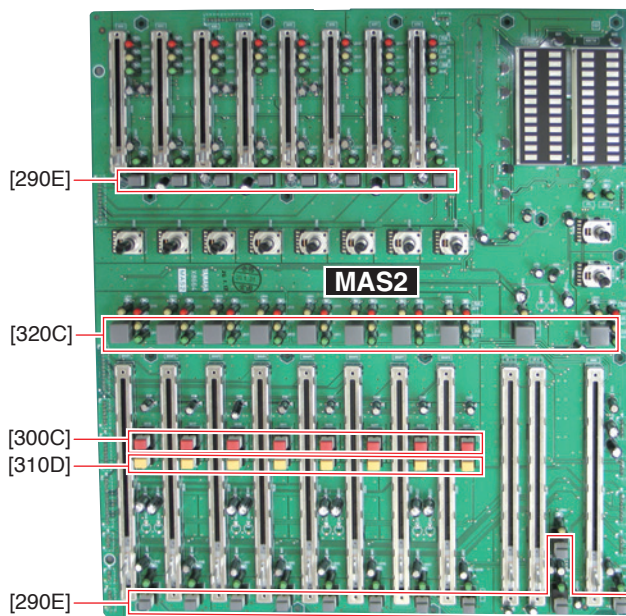


Photo 41 (写真 41)

LSI PIN DESCRIPTION (LSI 端子機能表)

● PCM2900E/2K (X7143A00) USB PROTOCOL CONTROLLER

USB: IC101

PIN NO.	NAME	I/O	FUNCTION	PIN NO.	NAME	I/O	FUNCTION
1	D+	I/O	USB differential input/output plus	15	VOUTR	O	DAC analog output for R-channel
2	D-	I/O	USB differential input/output minus	16	VOUTL	O	DAC analog output for L-channel
3	VBUS	-	Connect to USB power (VBUS)	17	VCCP1I	-	Internal analog power supply for PLL
4	DGNDU	-	Digital ground for USB transceiver	18	AGNDP	-	Analog ground for PLL
5	HID0	I	HID key state input(mute), active high	19	VCCP2I	-	Internal analog power supply for PLL
6	HID1	I	HID key state input(volume up),active high	20	XTO	O	Crystal oscillator output
7	HID2	I	HID key state input(volume down),active high	21	XTI	I	Crystal oscillator input
8	SEL0	I	Must be set to high	22	AGNDX	-	Analog ground for oscillator
9	SEL1	I	Must be set to high	23	VCCXI	-	Internal analog power supply for oscillator
10	VCCCI	-	Internal analog power supply for codec	24	TEST0	I	Test pin, must be connected to GND
11	AGNDC	-	Analog ground for codec	25	TEST1	O	Test pin, must be left open
12	VINL	I	ADC analog input for L-channel	26	DGND	-	Digital ground
13	VINR	I	ADC analog input for R-channel	27	VDDI	-	Internal digital power supply
14	VCOM	-	Common for ADC/DAC(VCCCI/2)	28	$\overline{\text{SSPND}}$	O	Suspend flag, active low (Low: suspend, High: operational)

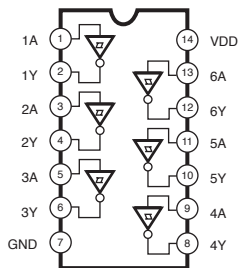
IC BLOCK DIAGRAM (IC ブロック図)

● **TC74VHC14F(EL, K, F)** (XW876B00)

IN2: IC102, IC302, IC502, IC702

ST2: IC511, IC711

Hex Inverter

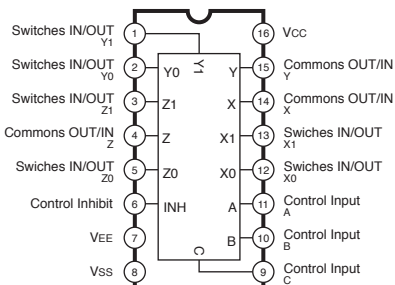


● **TC74HC4053AF(EL, F)** (XY879A00)

IN2: IC101, IC301, IC501, IC701

ST2: IC510, IC610, IC710, IC810

Triple 2-Channel
Multiplexer/Demultiplexer



● **BA10339F-E2** (X6266A0R)

IN2: IC105, IC202, IC305, IC402,

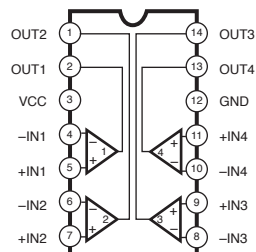
IC505, IC602, IC705, IC802

MAS2: IC105-108, IC205-208, IC305-308,

IC405-408, IC506, IC603-614

ST2: IC513, IC612, IC713, IC812

Comparator

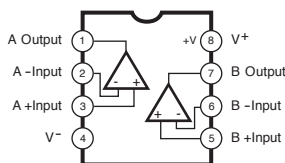


● **NJM072BM-E(TE1)** (X4543A01)

IN1: IC101, IC201, IC301, IC401,

IC501, IC601, IC701, IC801

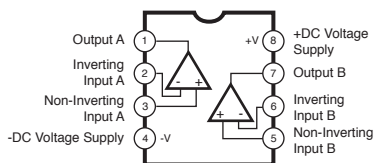
Dual Operational Amplifier



● **NJM4580M-D(TE2)** (X5025A0R)

SUM: IC401-411

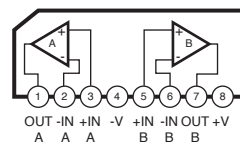
Dual Operational Amplifier



● **NJM4556AL** (XP844A00)

SUM: IC701

Dual Operational Amplifier



● **BA4560RF-E2** (X6897A00)

COMP: IC102, IC302, IC502, IC702

IN2: IC103, IC303, IC503, IC703

MAS2: IC103, IC104, IC203, IC204,

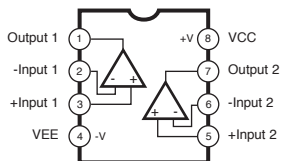
IC303, IC304, IC403, IC404,

IC601, IC602

ST2: IC512, IC611, IC712, IC811

SUM: IC304, IC305

Dual Operational Amplifier



● **NJM2068M-D(TE2)** (X3505A00)

COMP: IC101, IC201, IC301, IC401, IC501, IC601, IC701, IC801

IN1: IC102-108, IC302-308, IC502-508, IC702-708

IN2: IC104, IC106, IC201, IC304, IC306, IC401,

IC504, IC506, IC601, IC704, IC706, IC801

MAS1: IC101-104, IC301-306, IC401-404, IC501-504

MAS2: IC101, IC102, IC201, IC202, IC301, IC302, IC401, IC402,

IC501, IC504, IC507

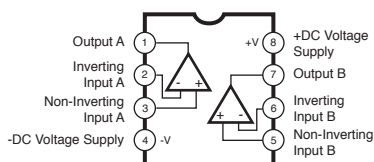
ST1: IC110-114, IC210-214, IC310-314, IC410-414

ST2: IC514-518, IC613-616, IC714-718, IC813-816

SUM: IC101-119, IC301-303

USB: IC103, IC104

Dual Operational Amplifier



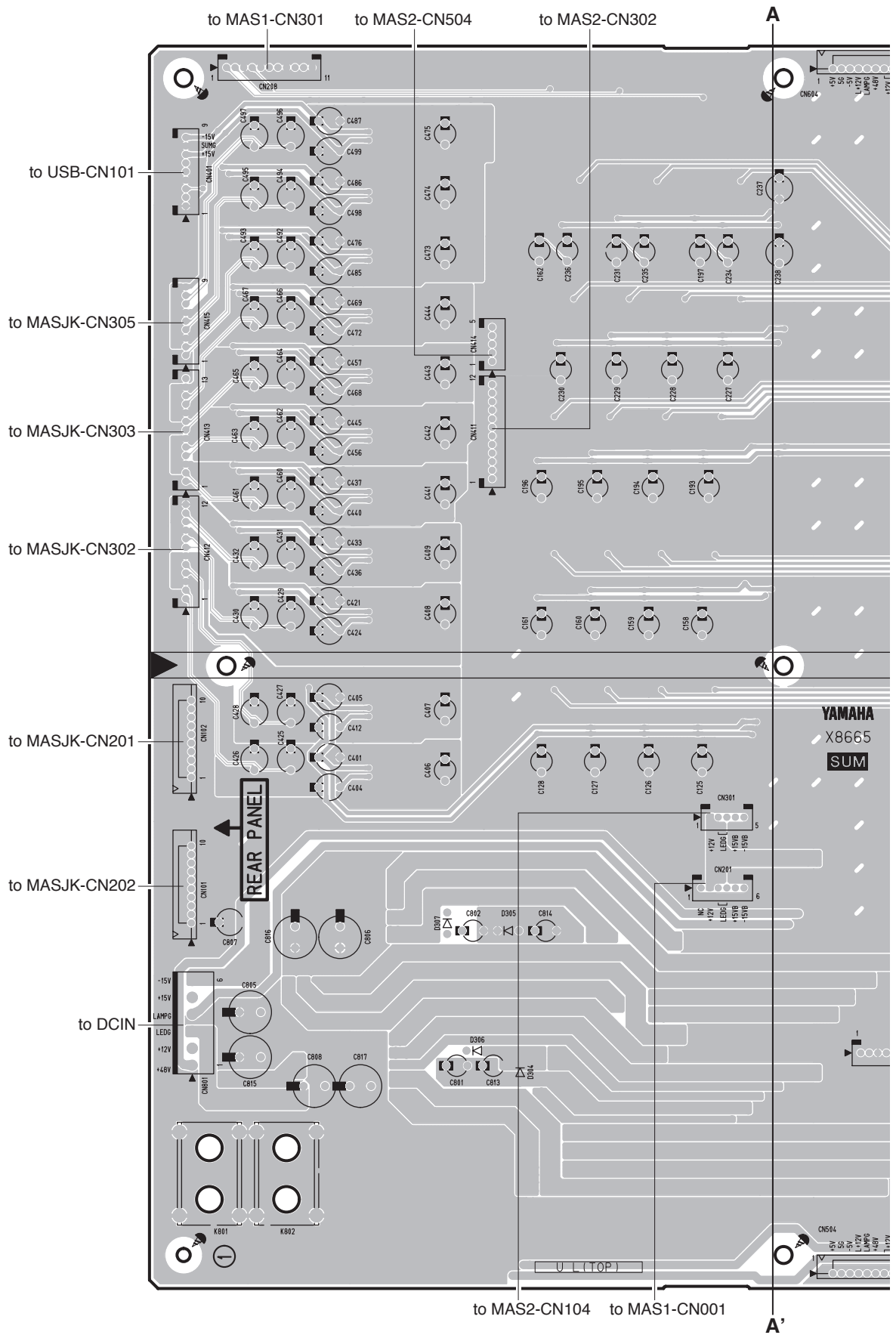
■ CIRCUIT BOARDS (シート基板図)

BUS1 Circuit Board (X8961C0)	52/54
BUS2L Circuit Board (X8962C0)	64/66
BUS2R Circuit Board (X8962C0)	64/66
BUS3 Circuit Board (X8963C0)	56/58
BUS4 Circuit Board (X9191C0)	60/62
COMP Circuit Board (X8967C0)	87
IN1 Circuit Board (X8657D0)	82/84/86
IN2 Circuit Board (X8658E0)	88/90/92
INJK Circuit Board (X8656B0)	80/81
LAMP Circuit Board (X8968B0)	102
MAS1 Circuit Board (X8663C0)	72/74
MAS2 Circuit Board (X8664C0)	76/78
MASJK Circuit Board (X8662C0)	68/70
PHONES Circuit Board (X8990D0)	102
ST1 Circuit Board (X8990D0)	94/96
ST2 Circuit Board (X8990D0)	98/100
STJK Circuit Board (X8990D0)	93
SUM Circuit Board (X8665C0)	48/50
USB Circuit Board (X7196C0)	102

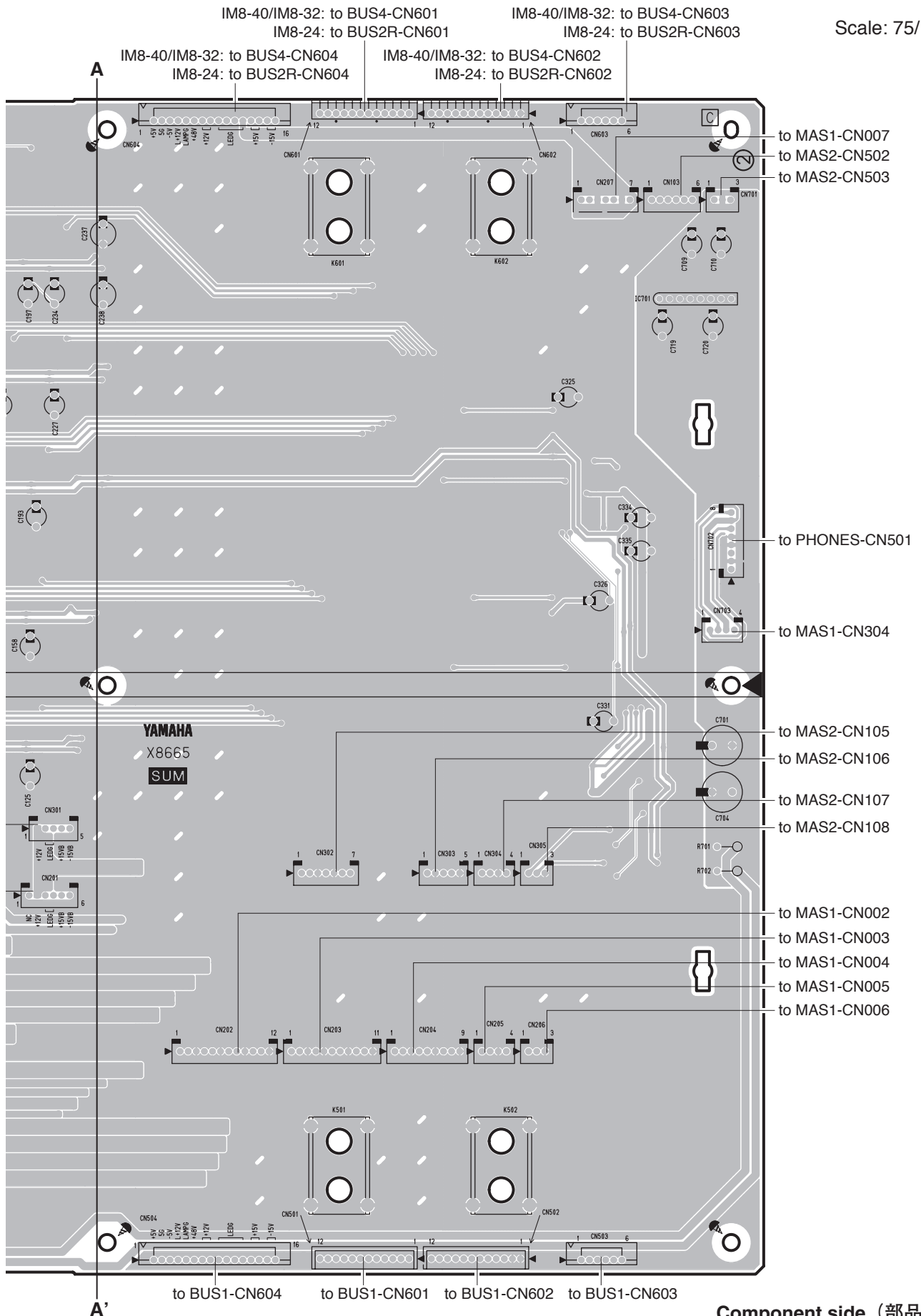
Note: See parts list for details of circuit board component parts.

注： シートの部品詳細はパーツリストをご参照ください。

● SUM Circuit Board



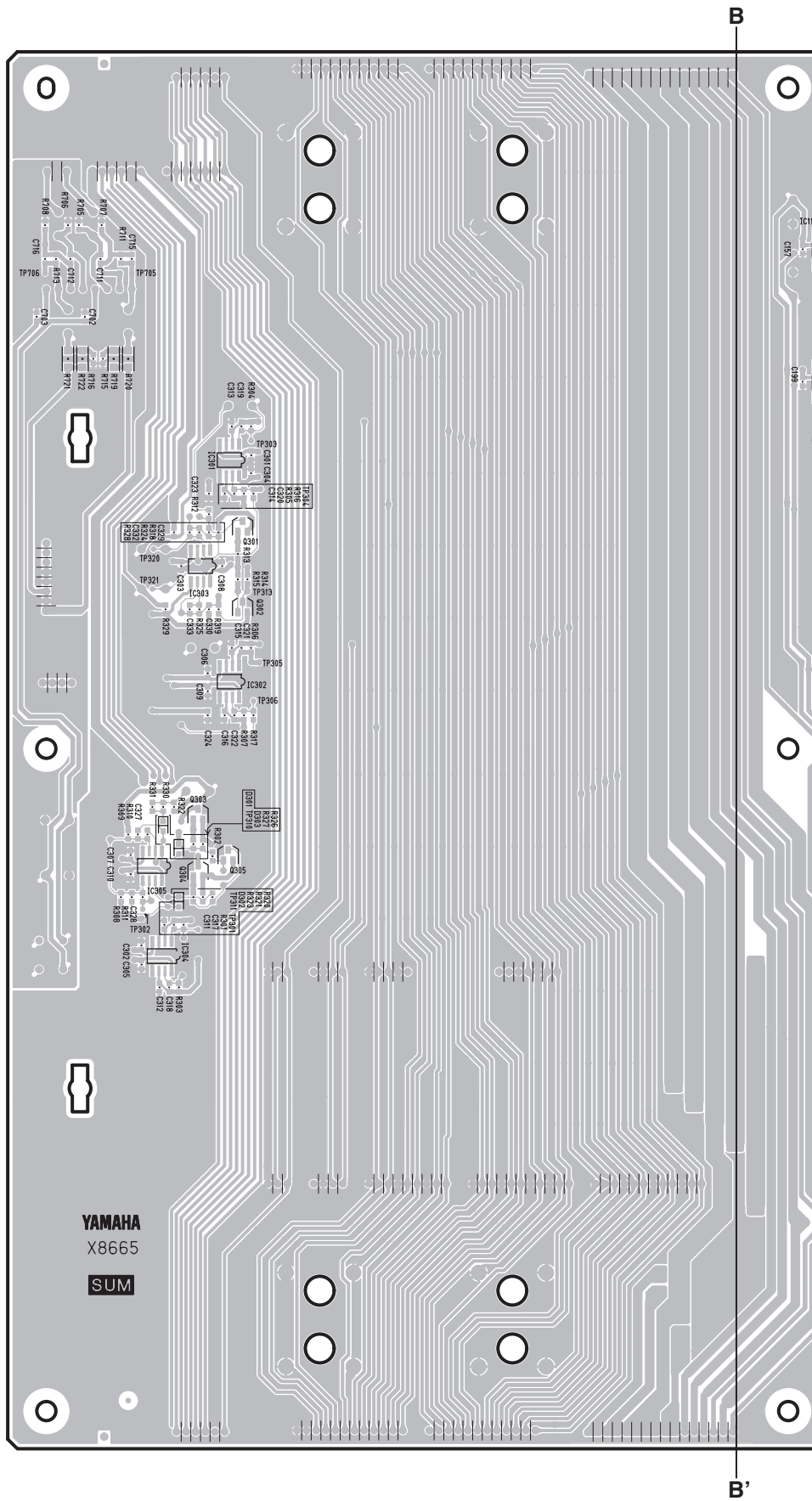
SUM: 2NA-WJ98650-1



SUM: 2NA-WJ98650-1

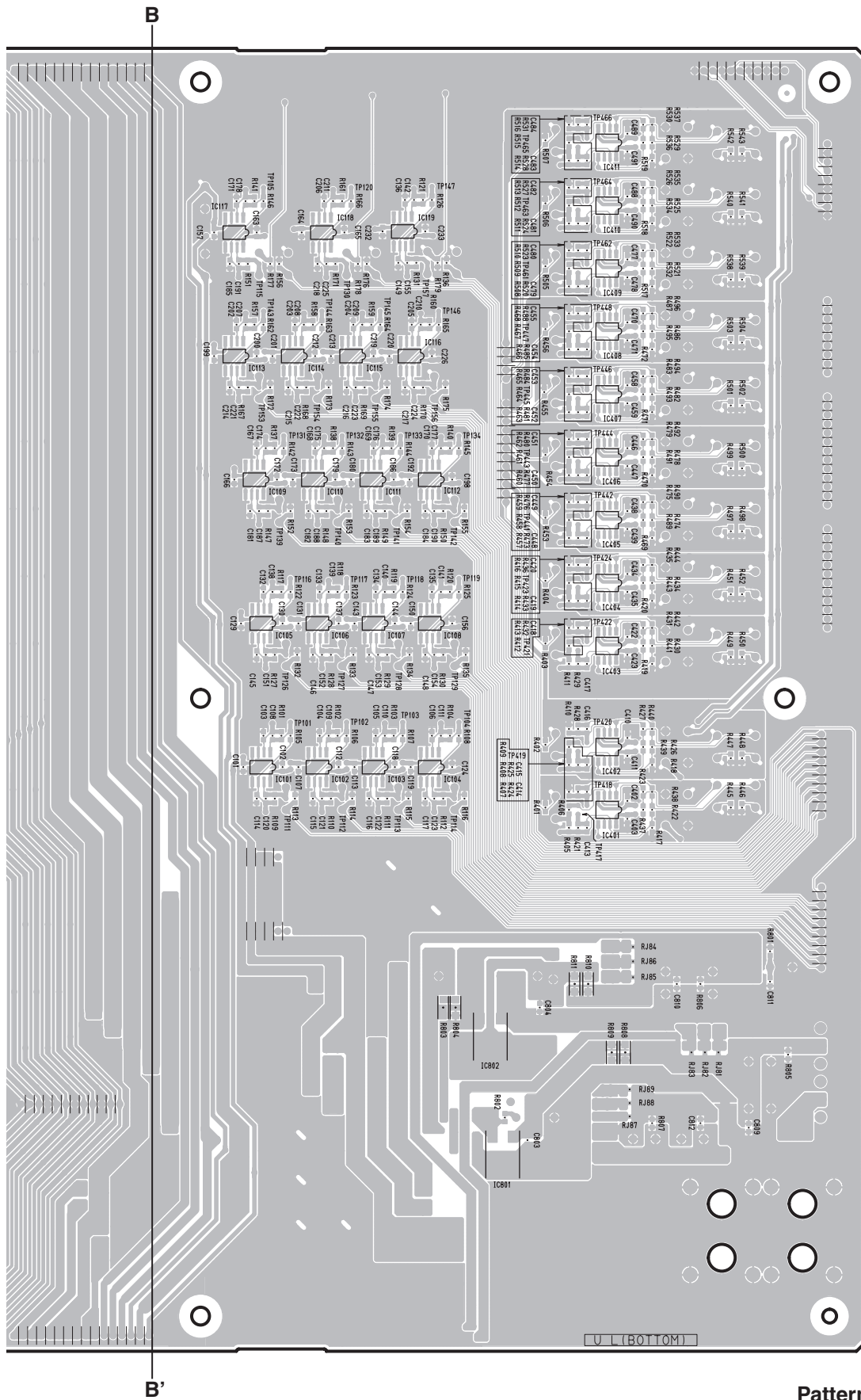
Component side (部品側)

● SUM Circuit Board



YAMAHA
X8665

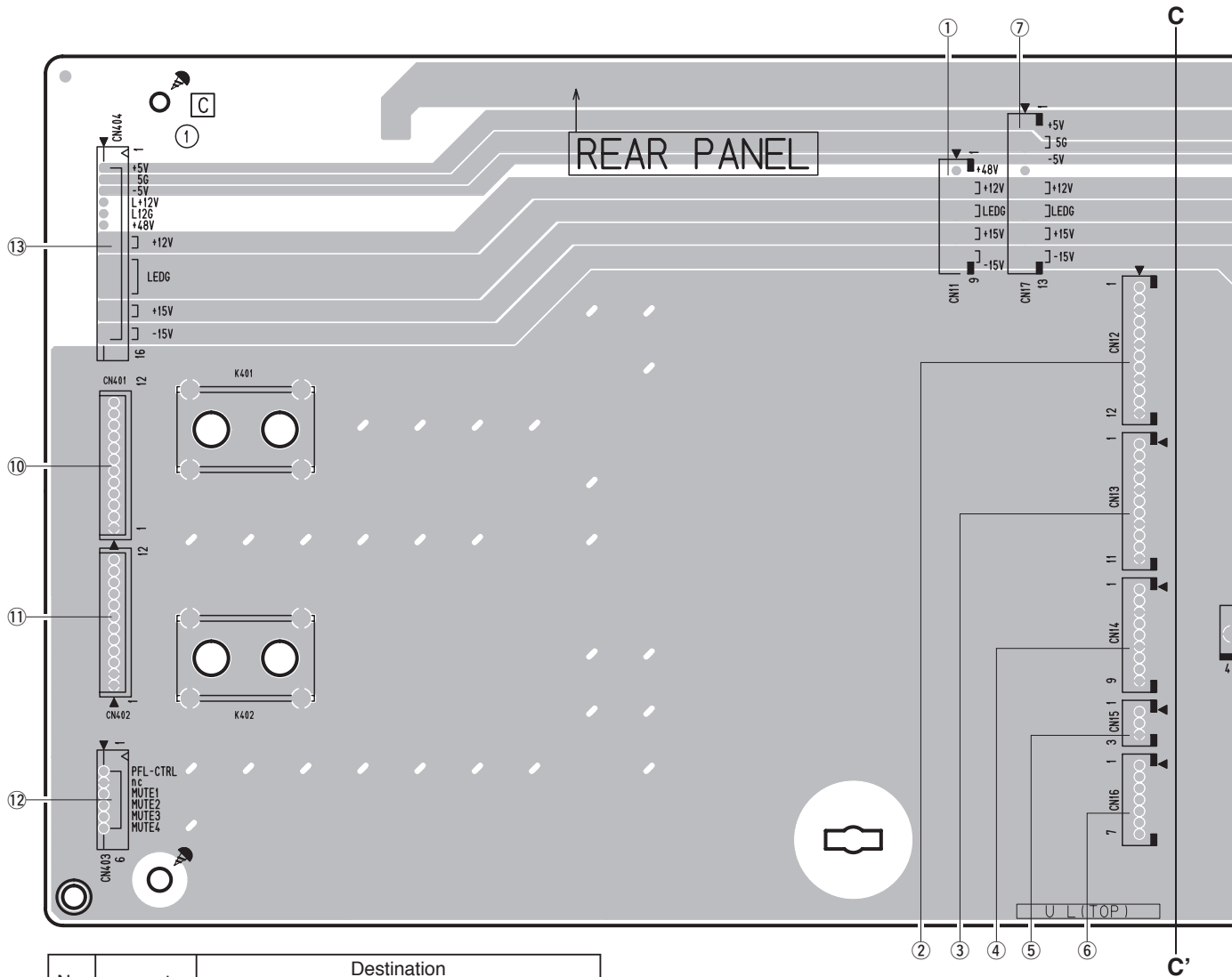
SUM



● BUS1 Circuit Board

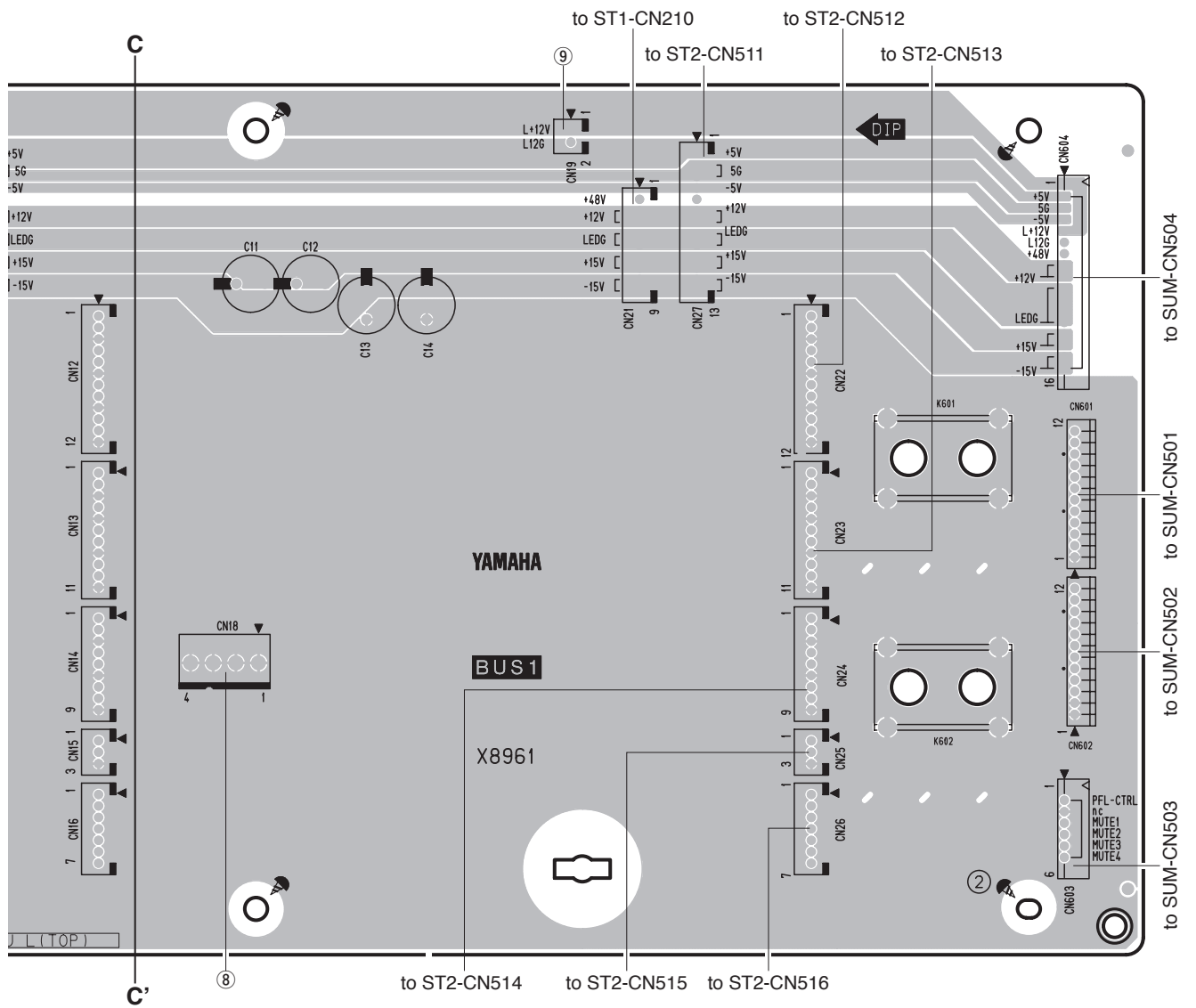
Refer to the following table for the destinations of the connectors indicated with an encircled number.

(丸数字がふってあるコネクタの接続先は下表を参照してください。)



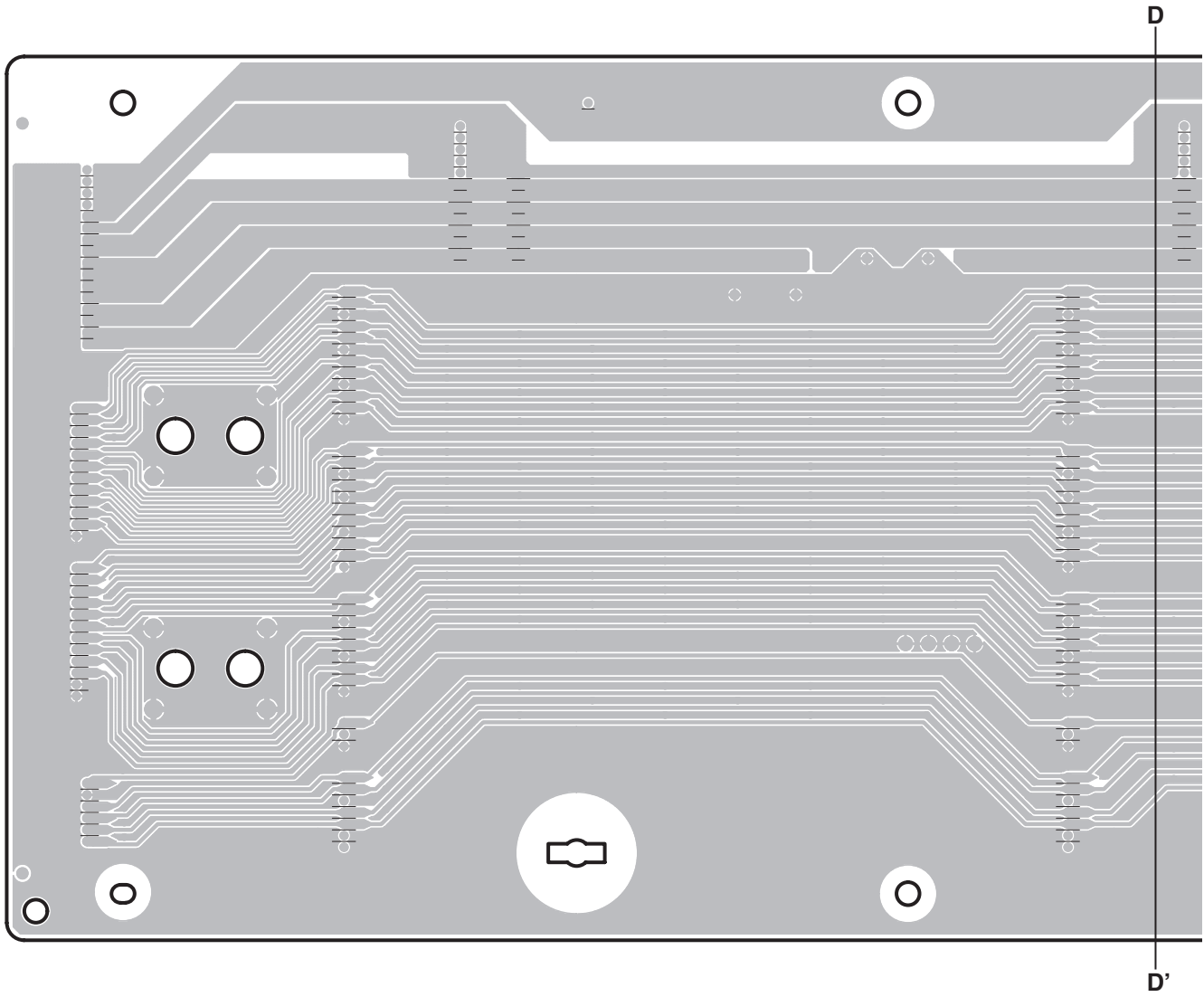
No.	connector	Destination	
		IM8-40	IM8-32/IM8-24
①	CN11	IN1(CH17-24)-CN203	IN1(CH9-16)-CN203
②	CN12	IN2(CH17-24)-CN102	IN2(CH9-16)-CN102
③	CN13	IN2(CH17-24)-CN103	IN2(CH9-16)-CN103
④	CN14	IN2(CH17-24)-CN104	IN2(CH9-16)-CN104
⑤	CN15	IN2(CH17-24)-CN105	IN2(CH9-16)-CN105
⑥	CN16	IN2(CH17-24)-CN106	IN2(CH9-16)-CN106
⑦	CN17	IN2(CH17-24)-CN201	IN2(CH9-16)-CN201
⑧	CN18	IN2(CH17-24)-CN107	IN2(CH9-16)-CN107
⑨	CN19	LAMP-CN1	N.C.
⑩	CN401	BUS3-CN401	BUS2L-CN401
⑪	CN402	BUS3-CN402	BUS2L-CN402
⑫	CN403	BUS3-CN403	BUS2L-CN403
⑬	CN404	BUS3-CN404	BUS2L-CN404

Scale: 85/100

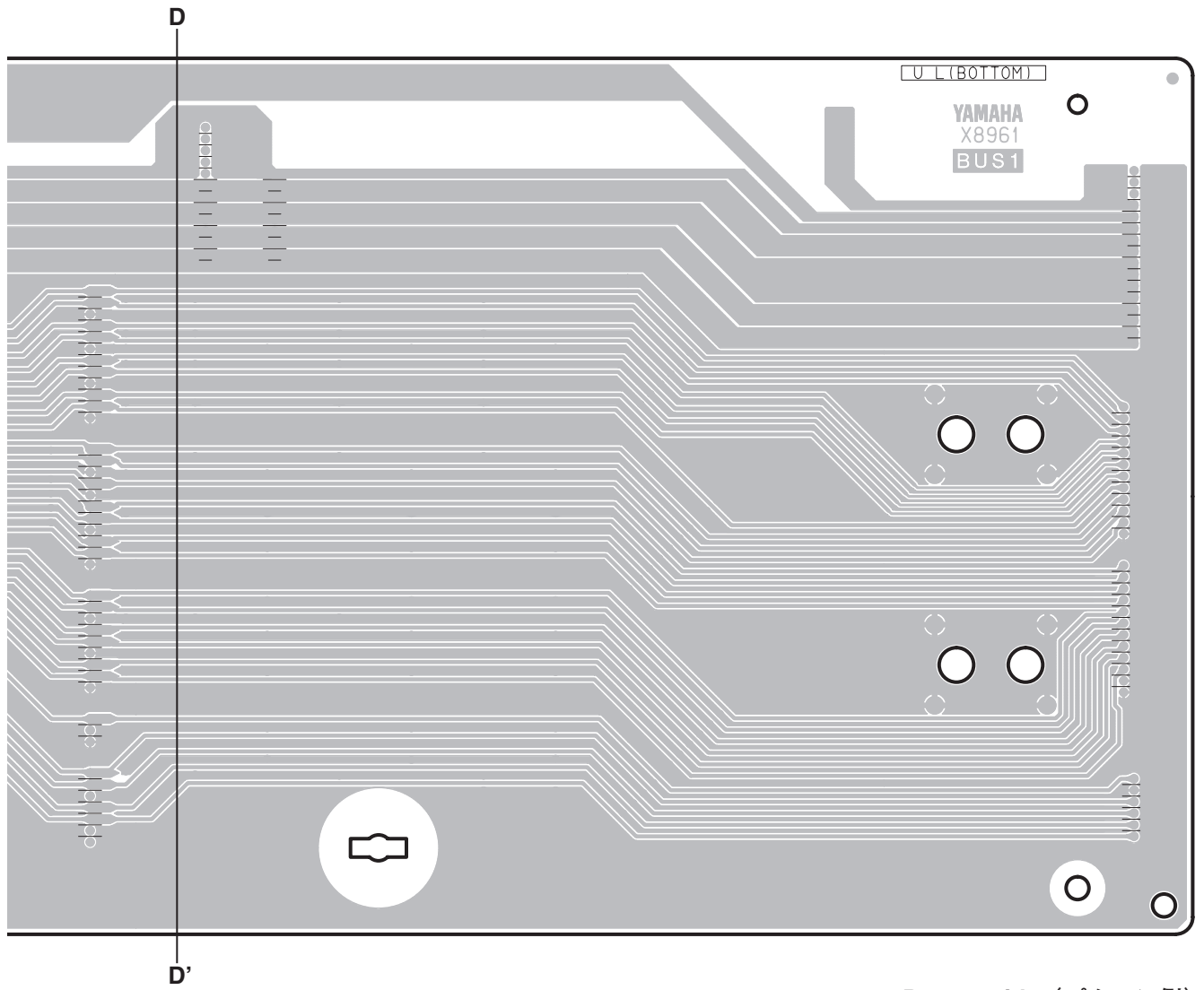


Component side (部品側)

● BUS1 Circuit Board

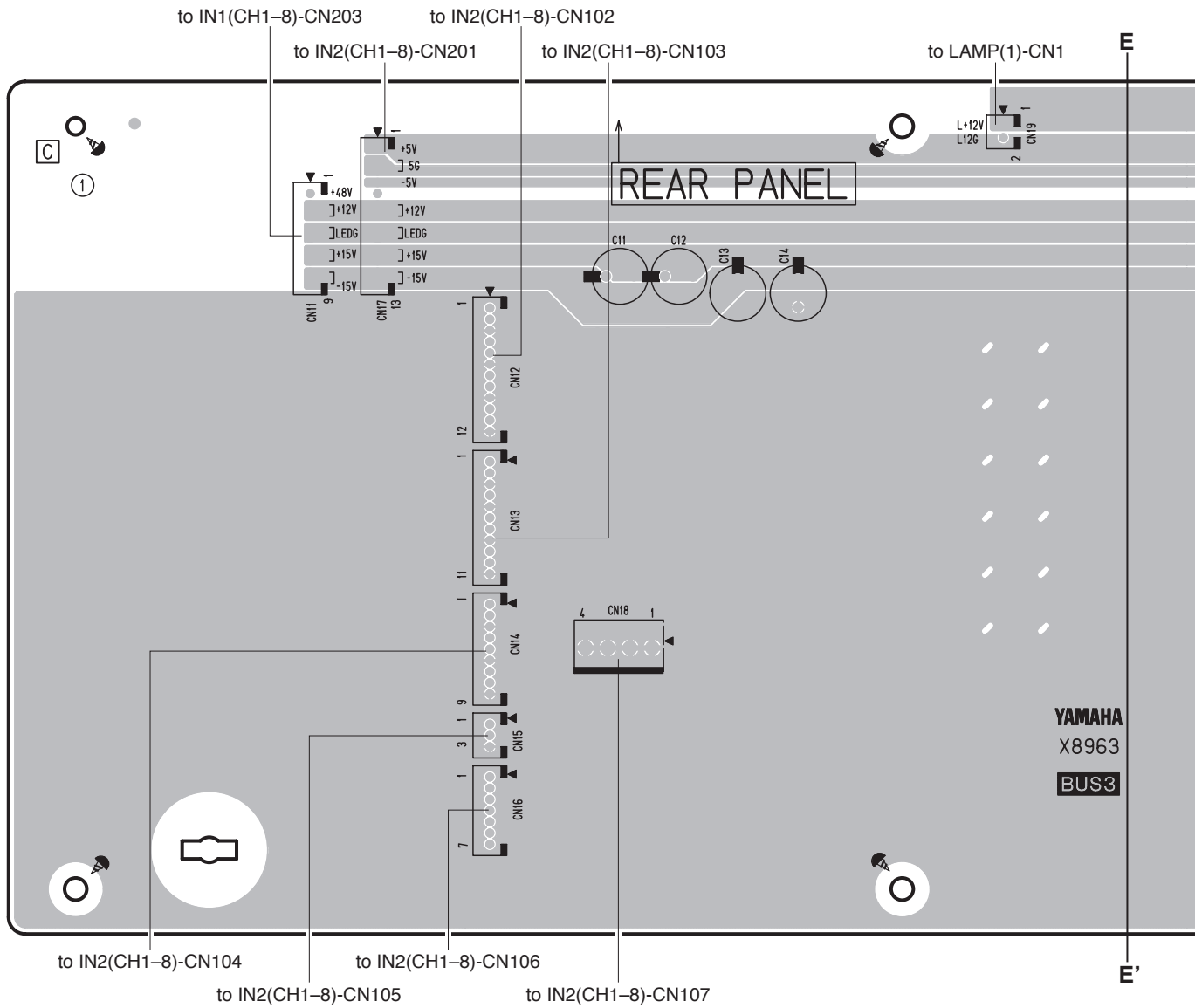


Scale: 85/100

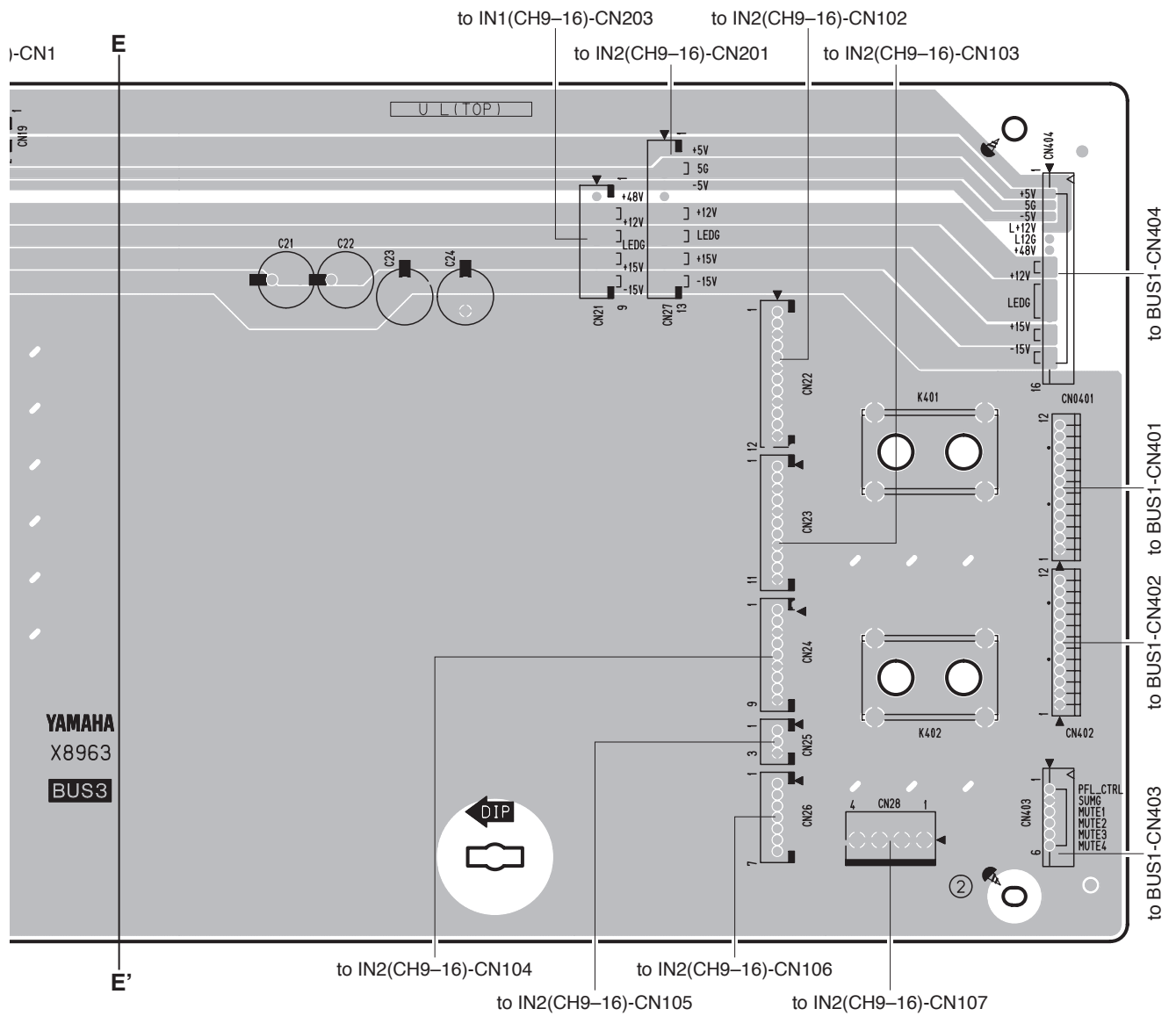


Pattern side (パターン側)

● BUS3 Circuit Board (IM8-40)

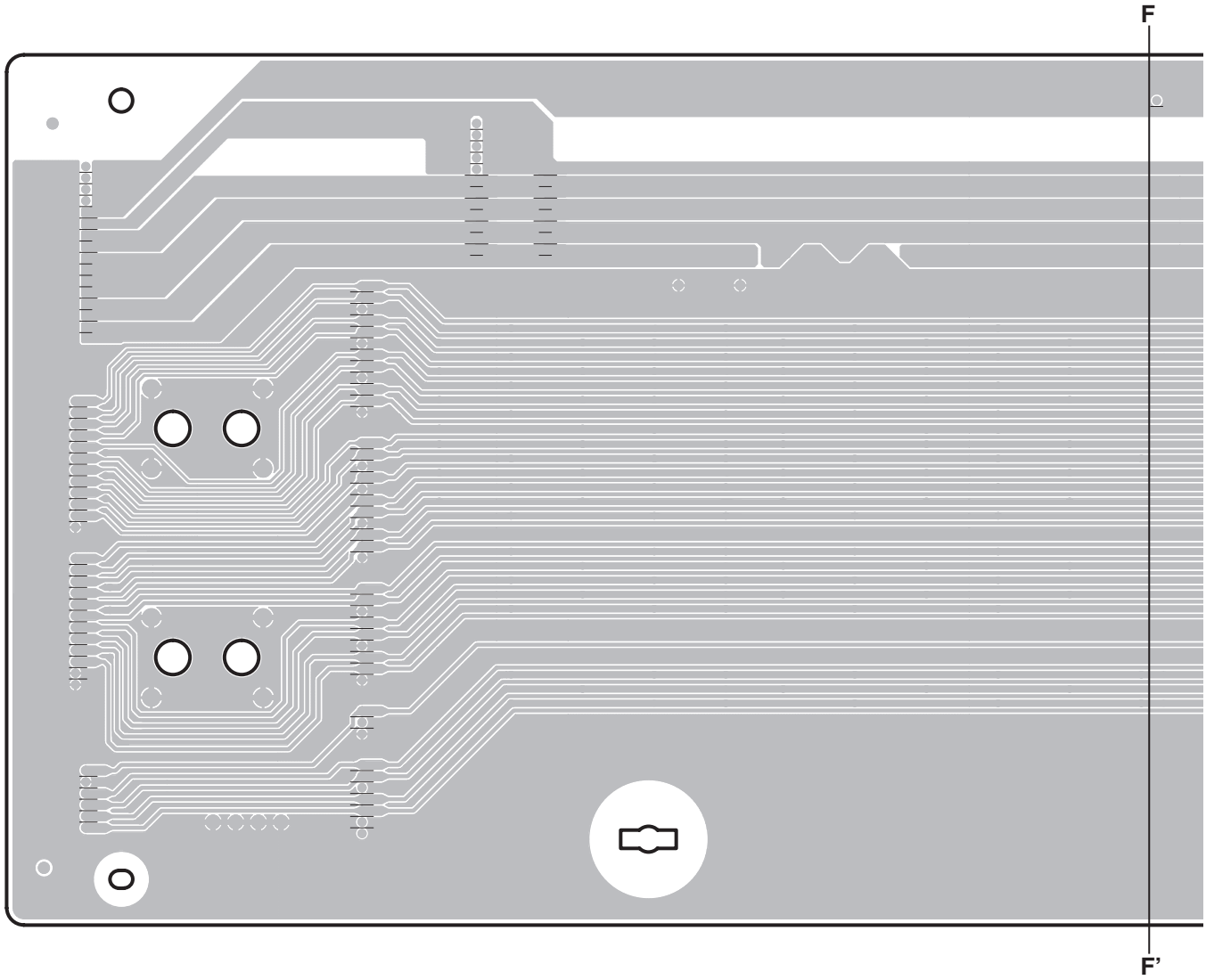


Scale: 85/100

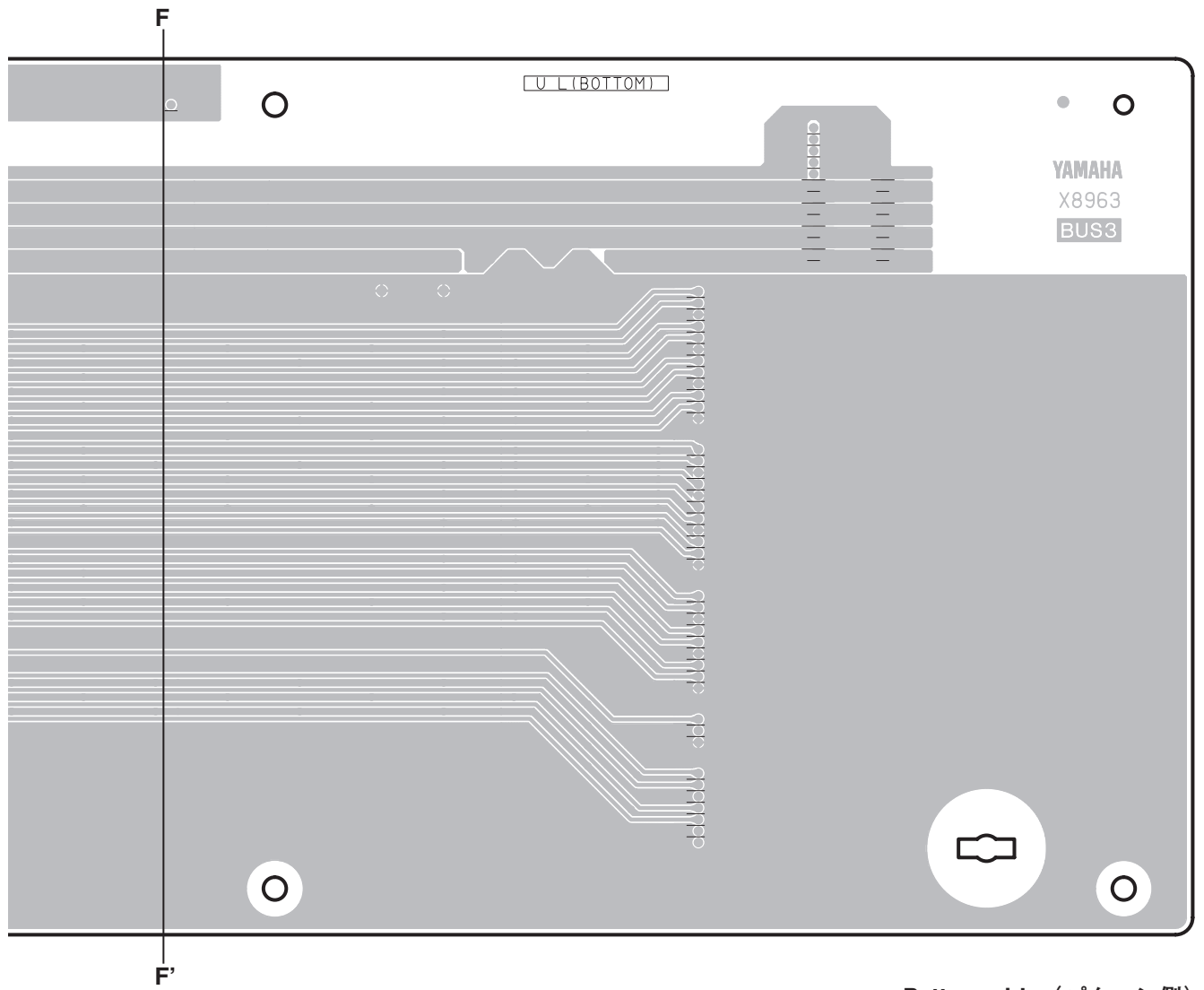


Component side (部品側)

● **BUS3 Circuit Board (IM8-40)**



Scale: 85/100

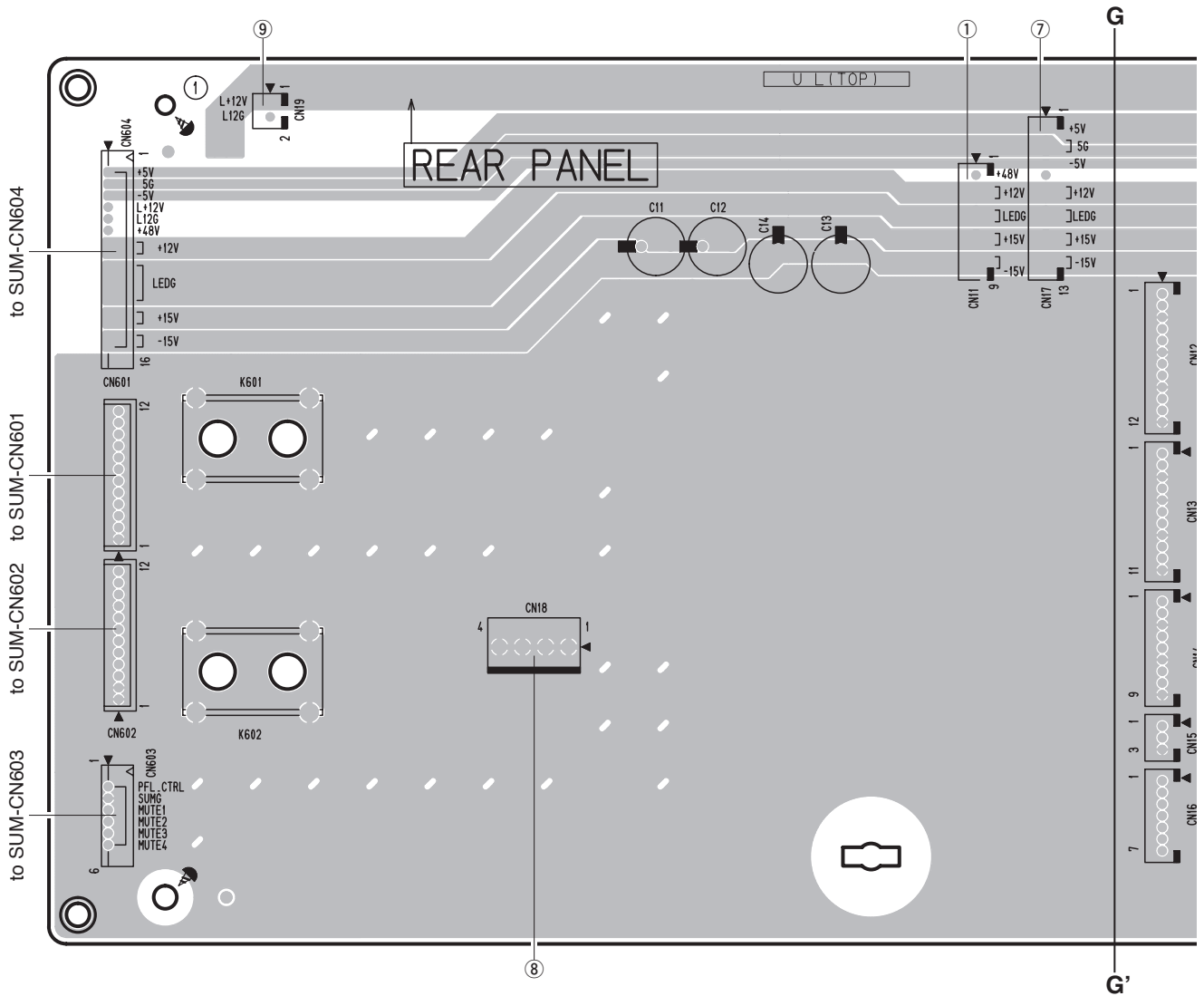


Pattern side (パターン側)

● BUS4 Circuit Board (IM8-40/IM8-32)

Refer to the following table for the destinations of the connectors indicated with an encircled number.

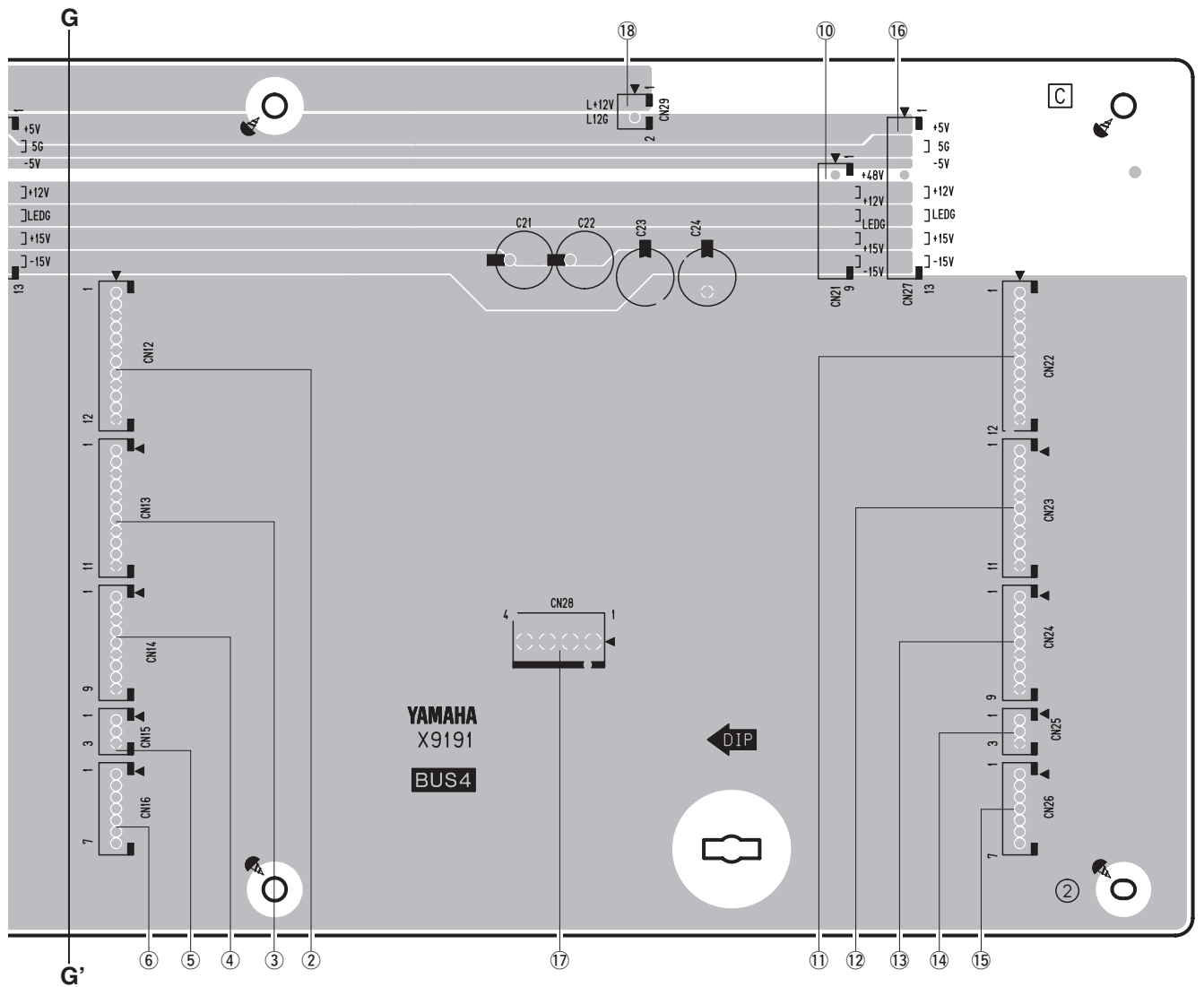
(丸数字がふってあるコネクタの接続先は下表を参照してください。)



No.	connector	Destination	
		IM8-40	IM8-32
①	CN11	IN1(CH25-32)-CN203	IN1(CH17-24)-CN203
②	CN12	IN2(CH25-32)-CN102	IN2(CH17-24)-CN102
③	CN13	IN2(CH25-32)-CN103	IN2(CH17-24)-CN103
④	CN14	IN2(CH25-32)-CN104	IN2(CH17-24)-CN104
⑤	CN15	IN2(CH25-32)-CN105	IN2(CH17-24)-CN105
⑥	CN16	IN2(CH25-32)-CN106	IN2(CH17-24)-CN106
⑦	CN17	IN2(CH25-32)-CN201	IN2(CH17-24)-CN201
⑧	CN18	IN2(CH25-32)-CN107	IN2(CH17-24)-CN107
⑨	CN19	N.C.	LAMP-CN1

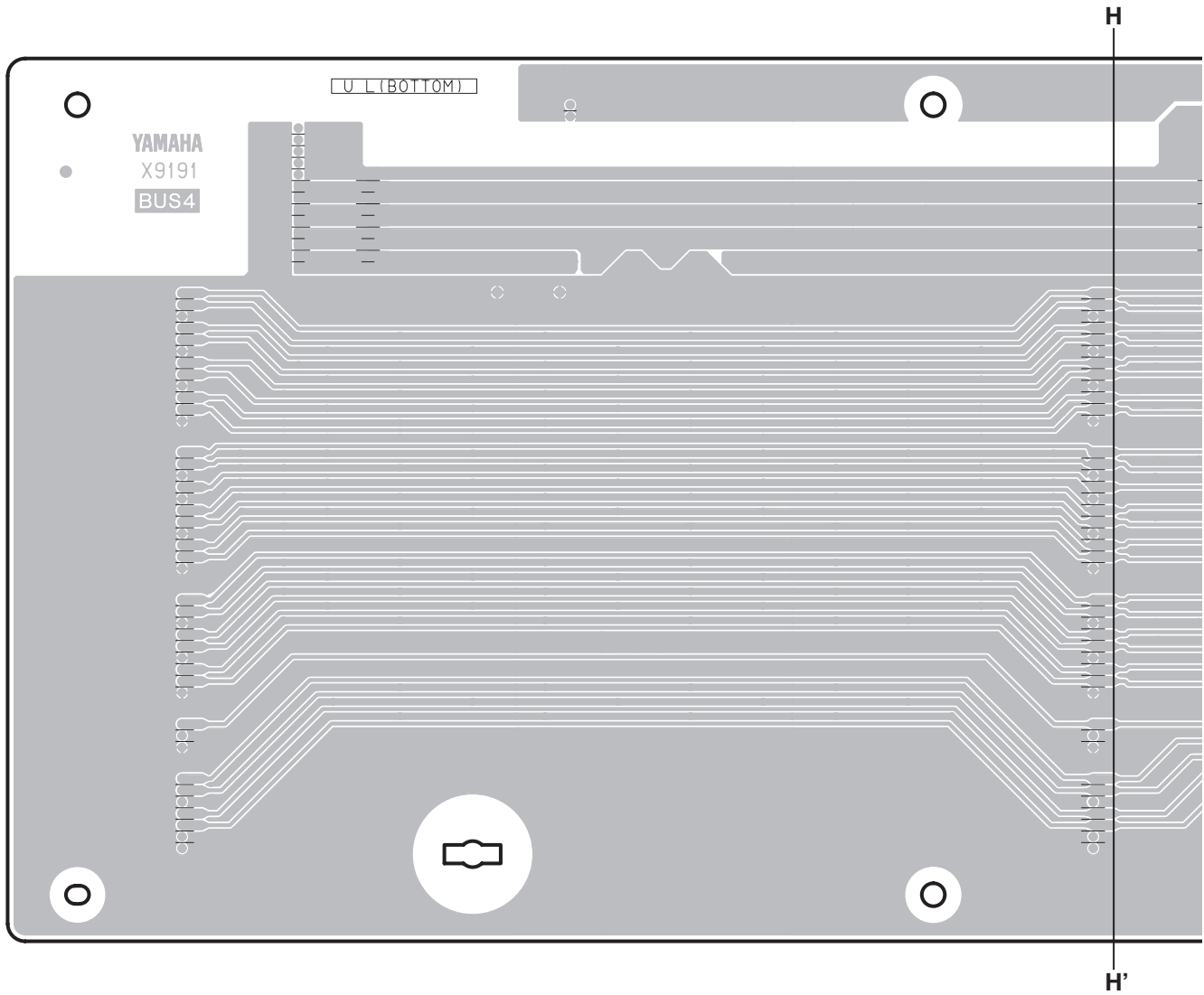
No.	connector	Destination	
		IM8-40	IM8-32
⑩	CN21	IN1(CH33-40)-CN203	IN1(CH25-32)-CN203
⑪	CN22	IN2(CH33-40)-CN102	IN2(CH25-32)-CN102
⑫	CN23	IN2(CH33-40)-CN103	IN2(CH25-32)-CN103
⑬	CN24	IN2(CH33-40)-CN104	IN2(CH25-32)-CN104
⑭	CN25	IN2(CH33-40)-CN105	IN2(CH25-32)-CN105
⑮	CN26	IN2(CH33-40)-CN106	IN2(CH25-32)-CN106
⑯	CN27	IN2(CH33-40)-CN201	IN2(CH25-32)-CN201
⑰	CN28	IN2(CH33-40)-CN107	IN2(CH25-32)-CN107
⑱	CN29	LAMP-CN1	N.C.

Scale: 85/100

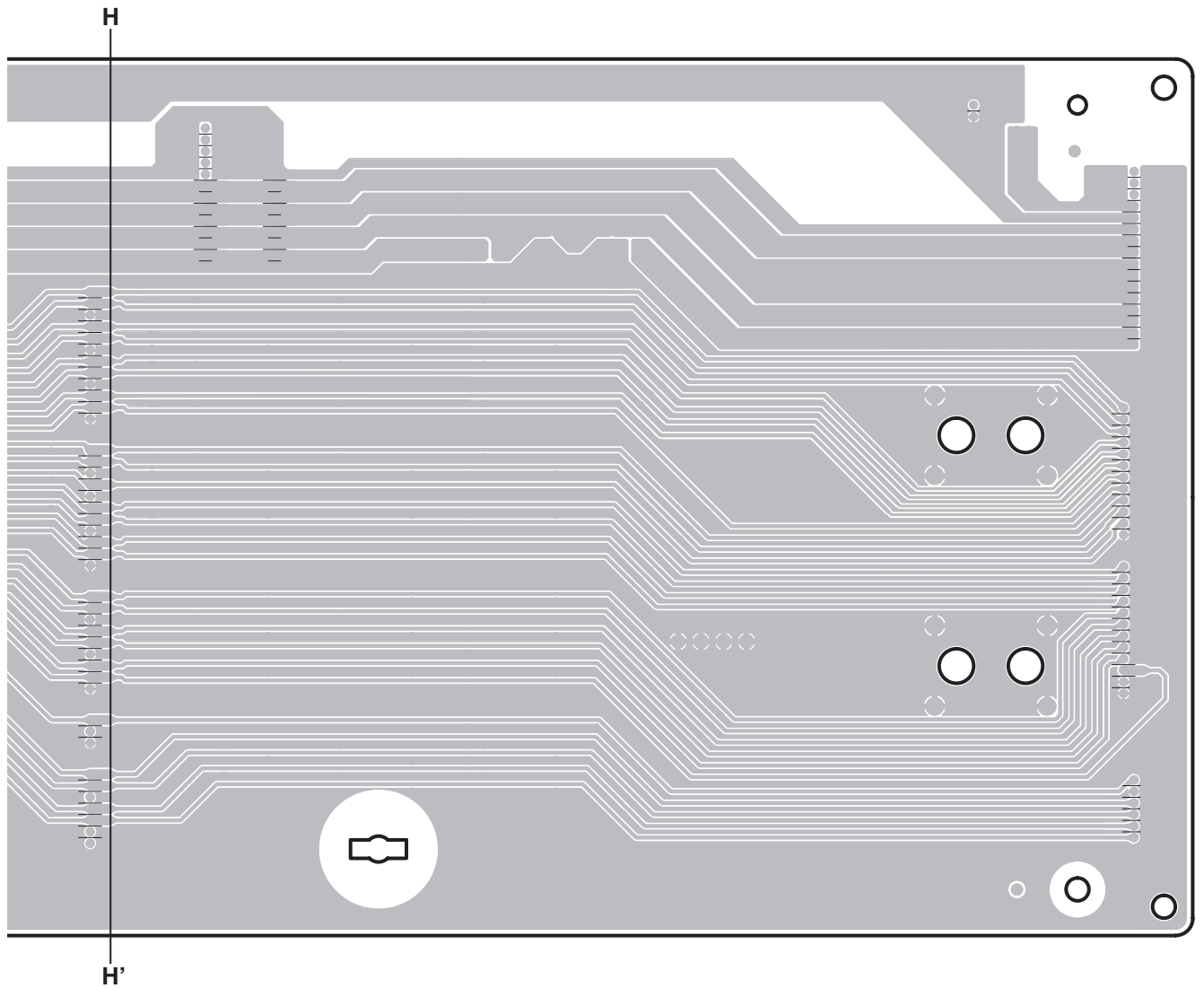


Component side (部品側)

● **BUS4 Circuit Board (IM8-40/IM8-32)**



Scale: 85/100

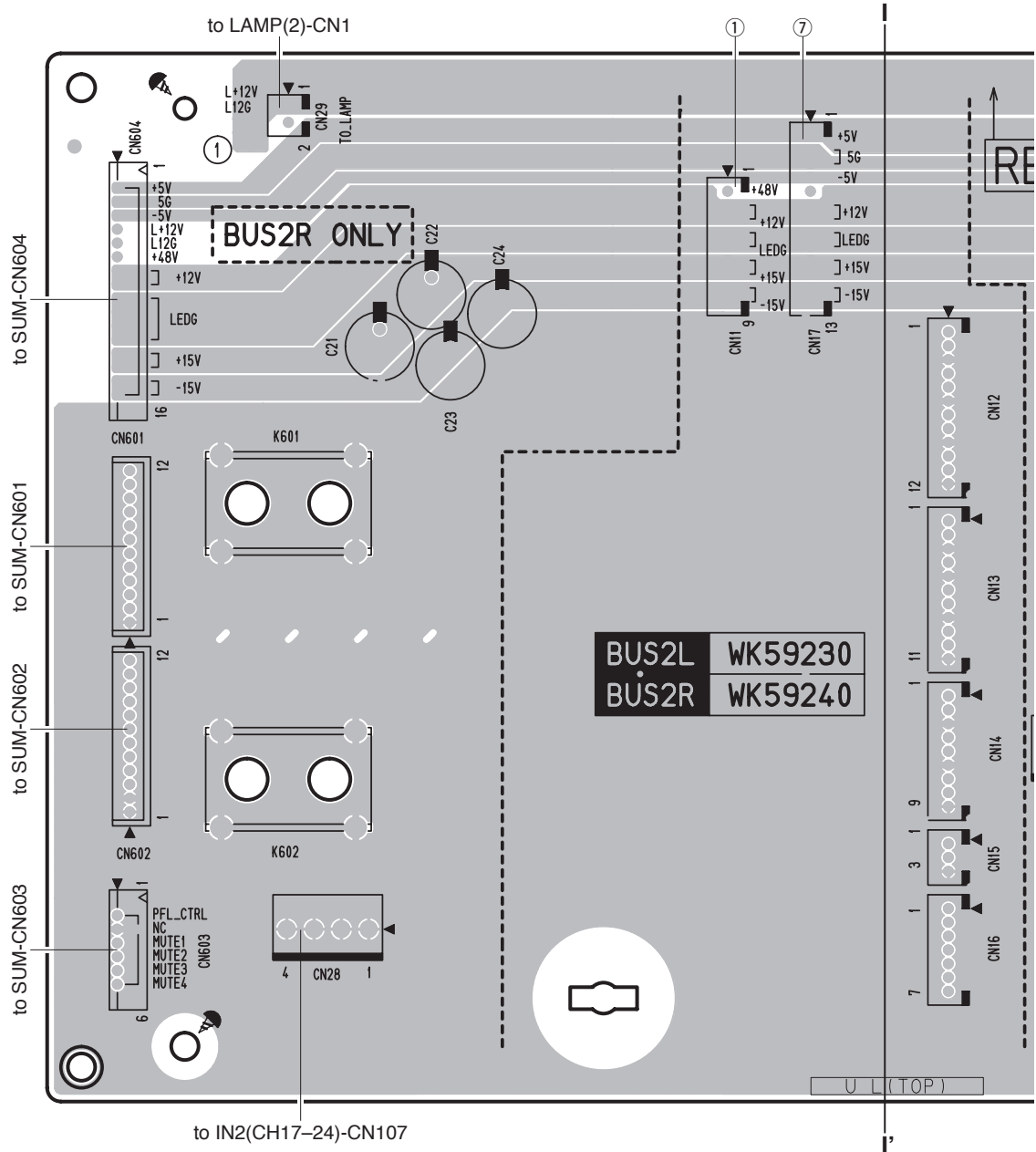


Pattern side (パターン側)

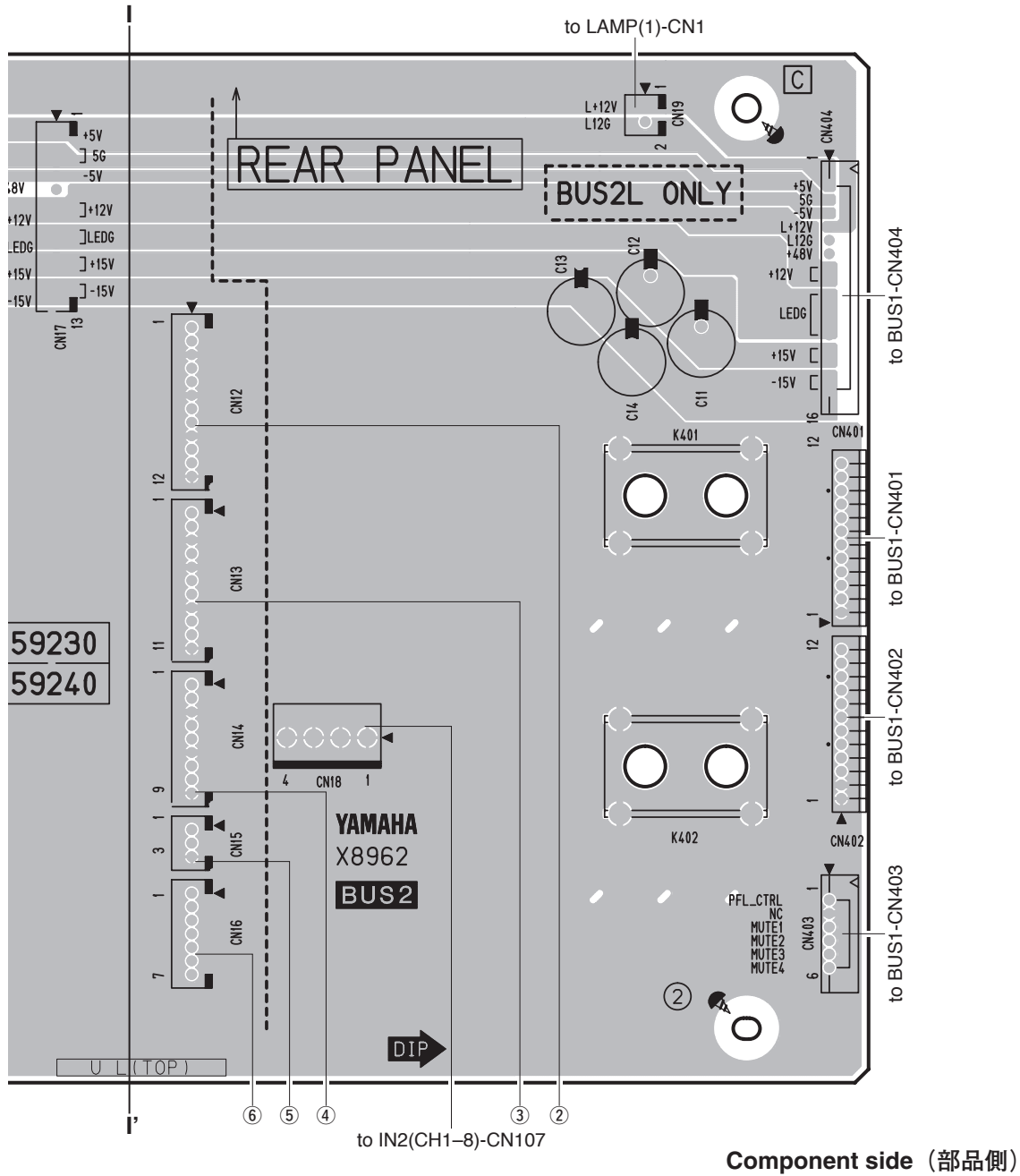
- **BUS2L Circuit Board (IM8-32/IM8-24)**
- **BUS2R Circuit Board (IM8-24)**

Refer to the following table for the destinations of the connectors indicated with an encircled number.

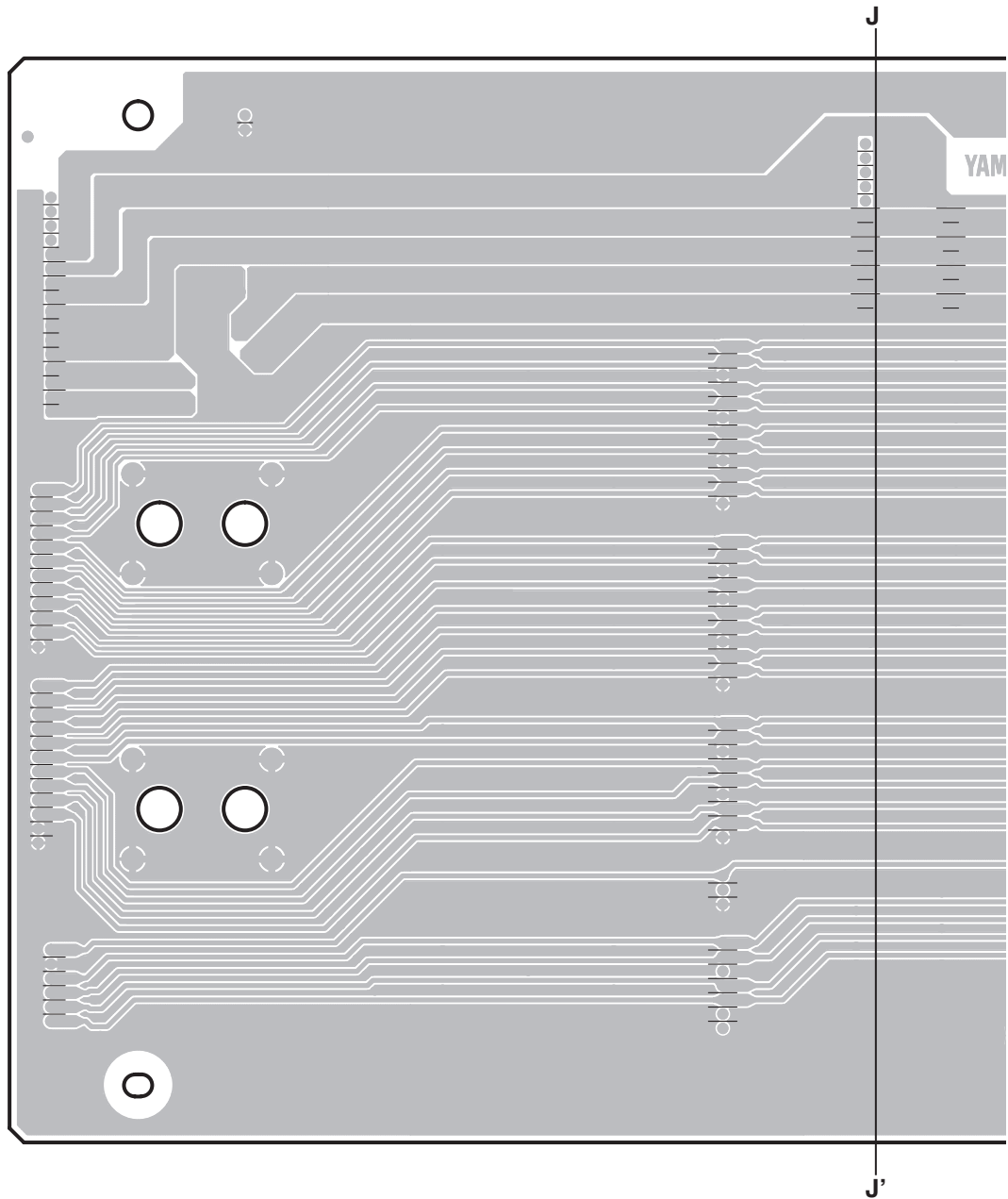
(丸数字がふってあるコネクタの接続先は下表を参照してください。)

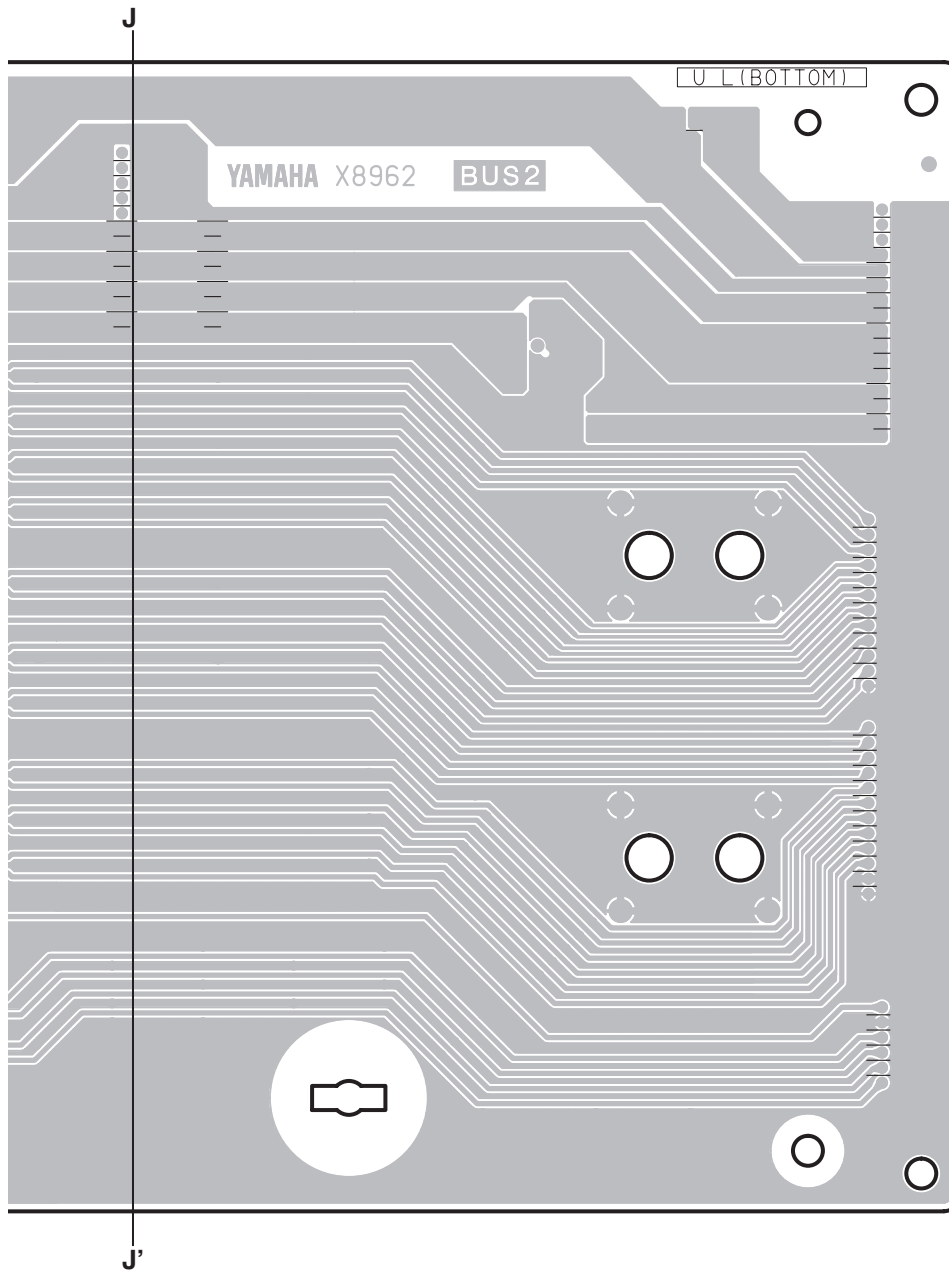


No.	connector	Destination	
		BUS2L	BUS2R
①	CN11	IN1(CH1-8)-CN203	IN1(CH17-24)-CN203
②	CN12	IN2(CH1-8)-CN102	IN2(CH17-24)-CN102
③	CN13	IN2(CH1-8)-CN103	IN2(CH17-24)-CN103
④	CN14	IN2(CH1-8)-CN104	IN2(CH17-24)-CN104
⑤	CN15	IN2(CH1-8)-CN105	IN2(CH17-24)-CN105
⑥	CN16	IN2(CH1-8)-CN106	IN2(CH17-24)-CN106
⑦	CN17	IN2(CH1-8)-CN201	IN2(CH17-24)-CN201



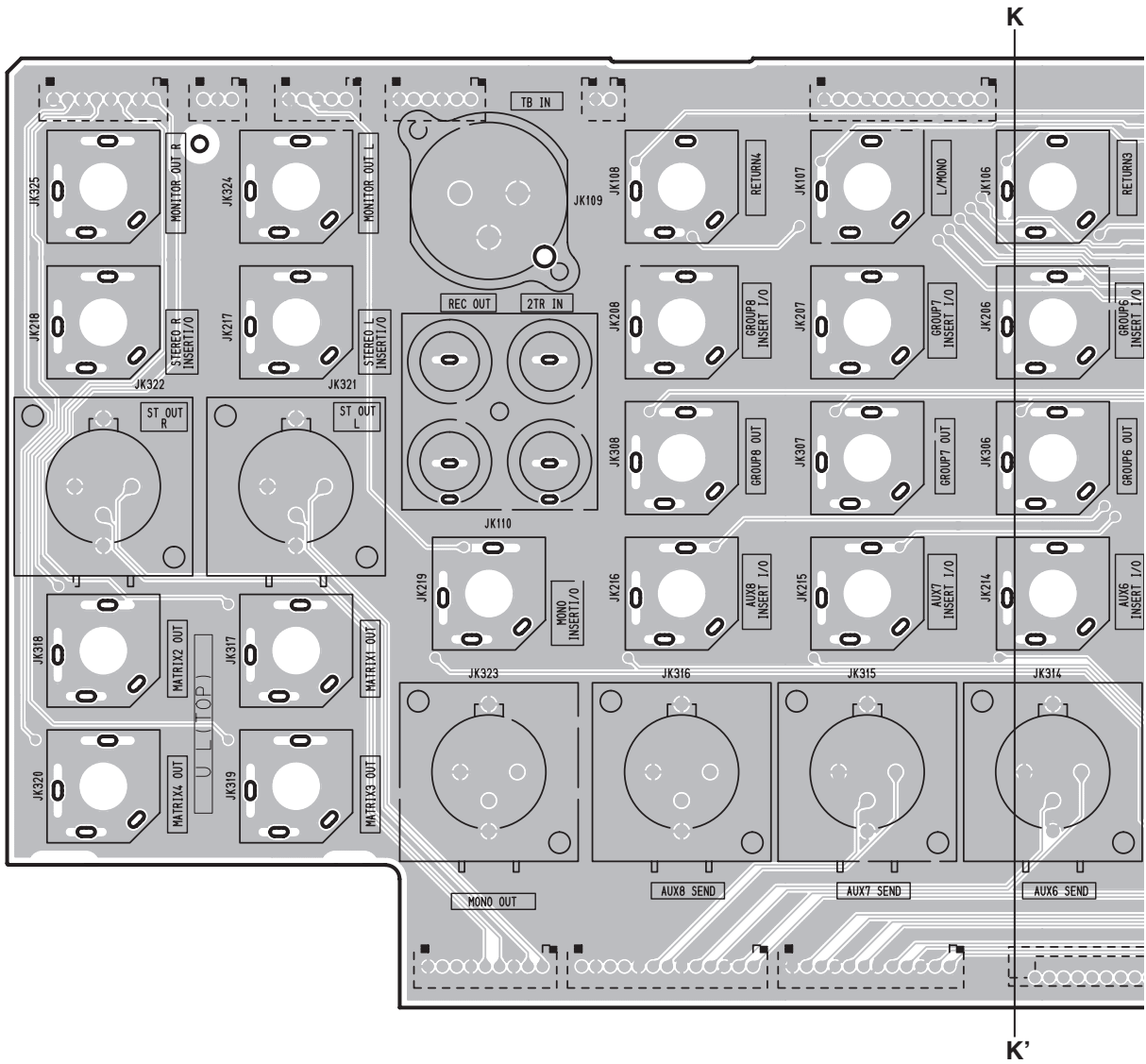
- **BUS2L Circuit Board (IM8-32/IM8-24)**
- **BUS2R Circuit Board (IM8-24)**

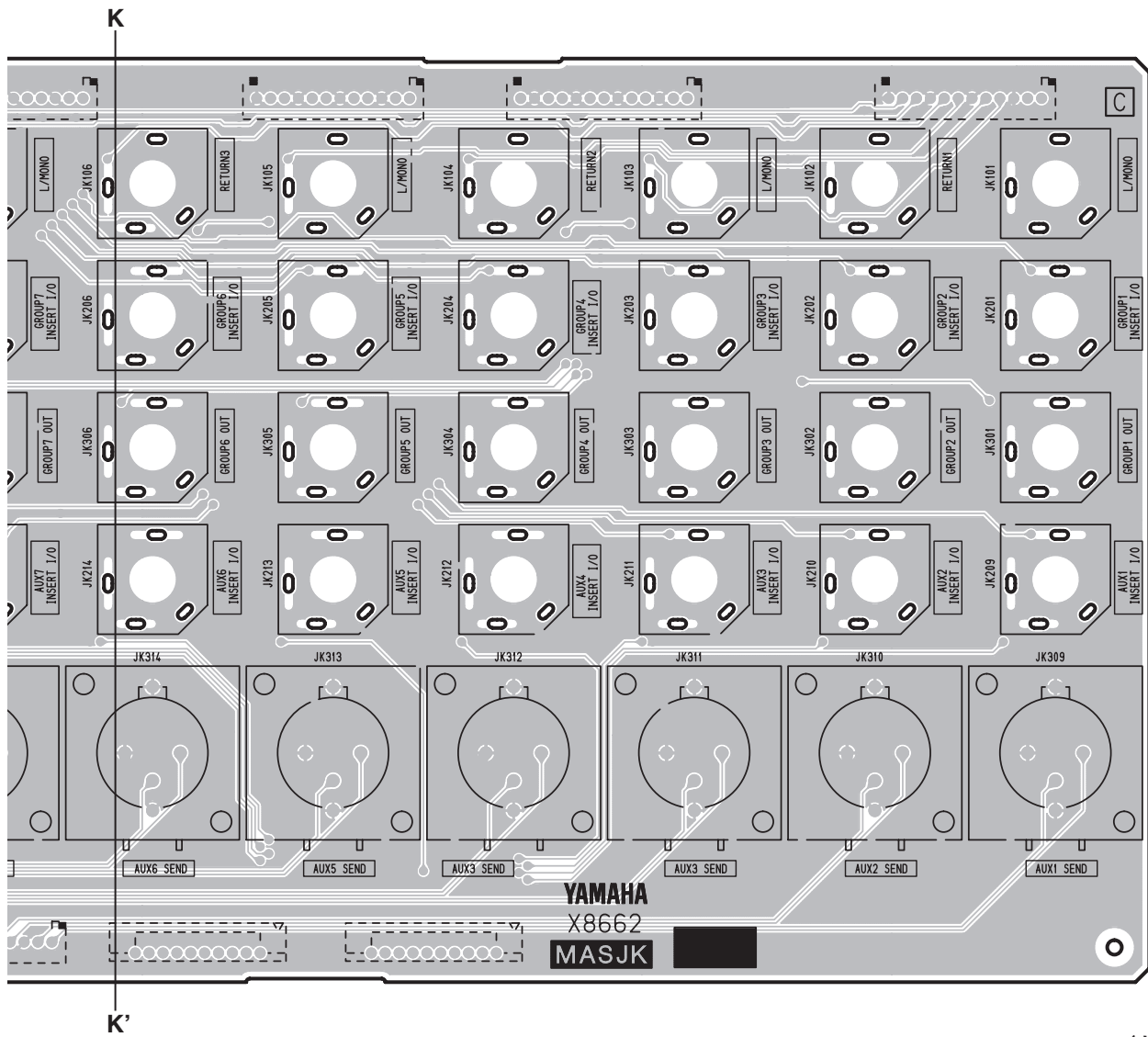




Pattern side (パターン側)

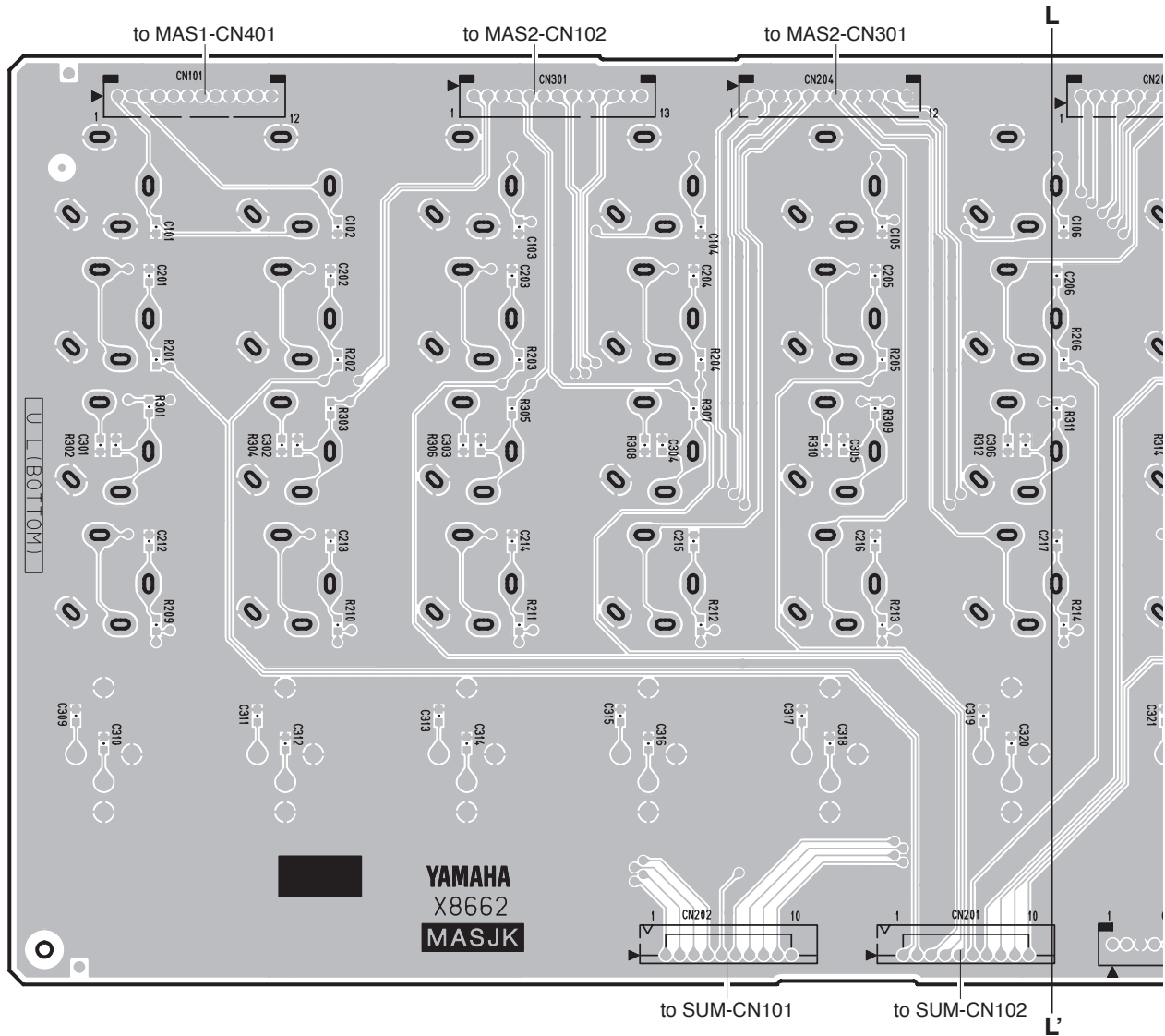
● MASJK Circuit Board

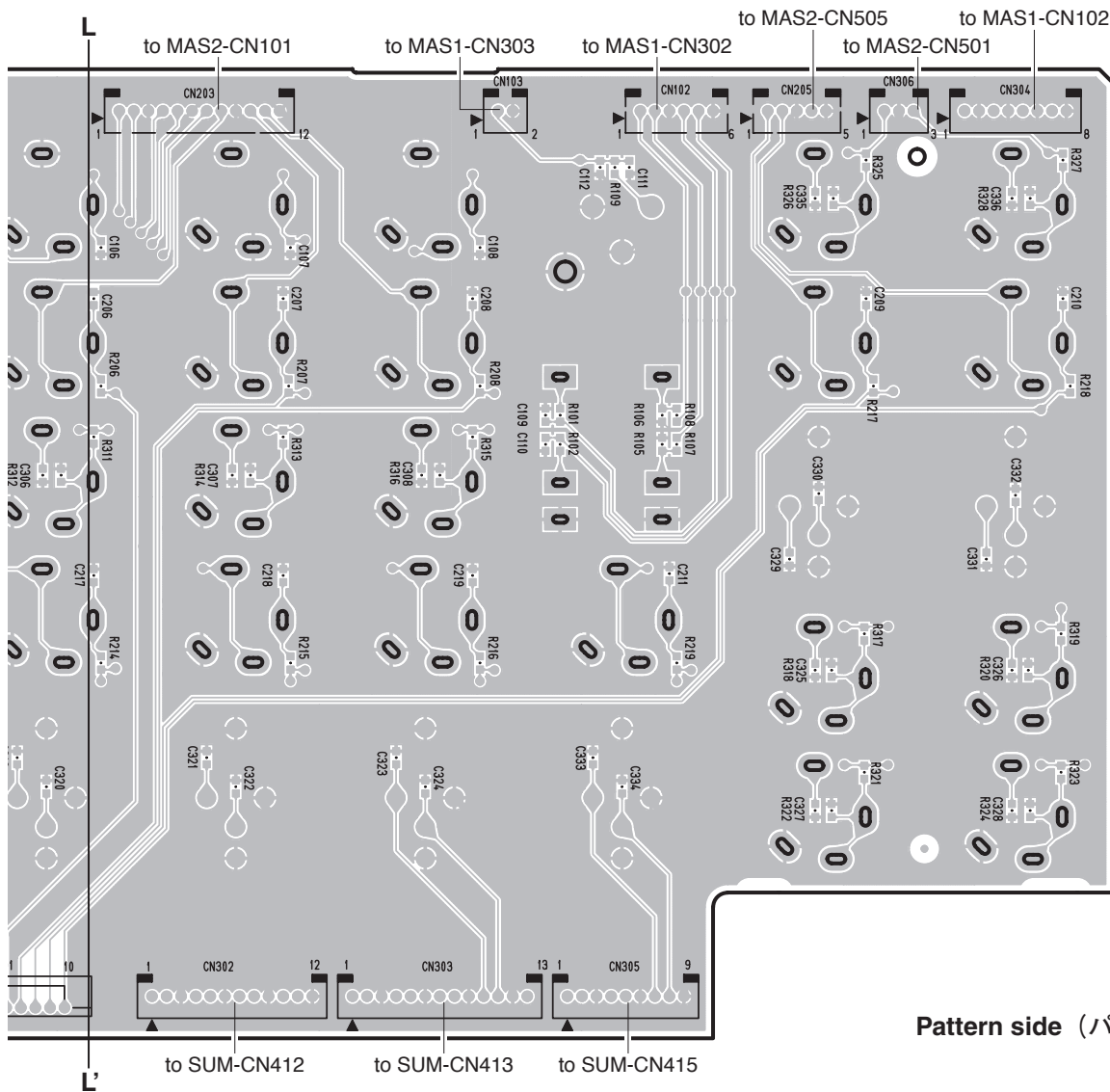




Component side (部品側)

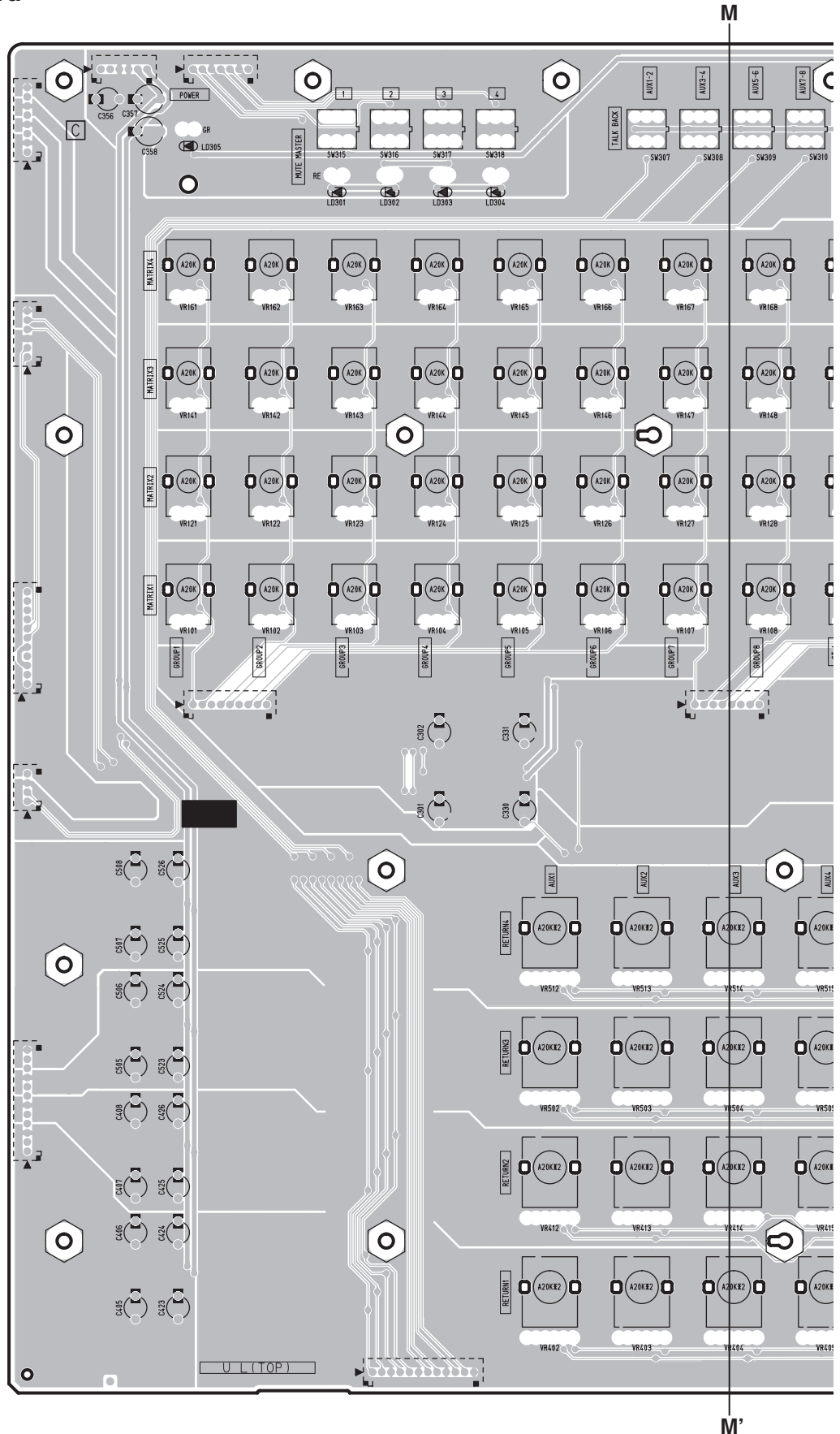
● MASJK Circuit Board



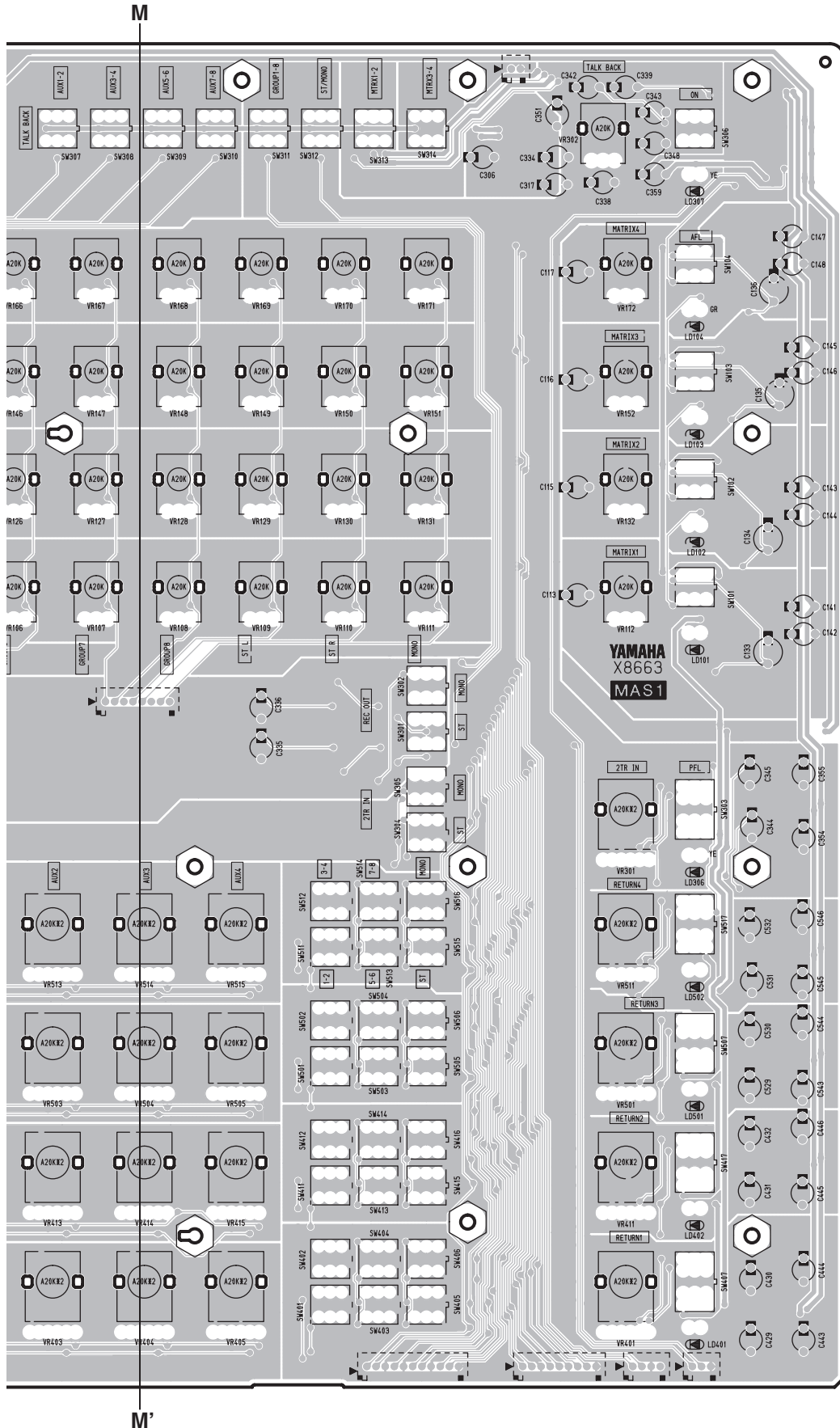


Pattern side (パターン側)

● MAS1 Circuit Board



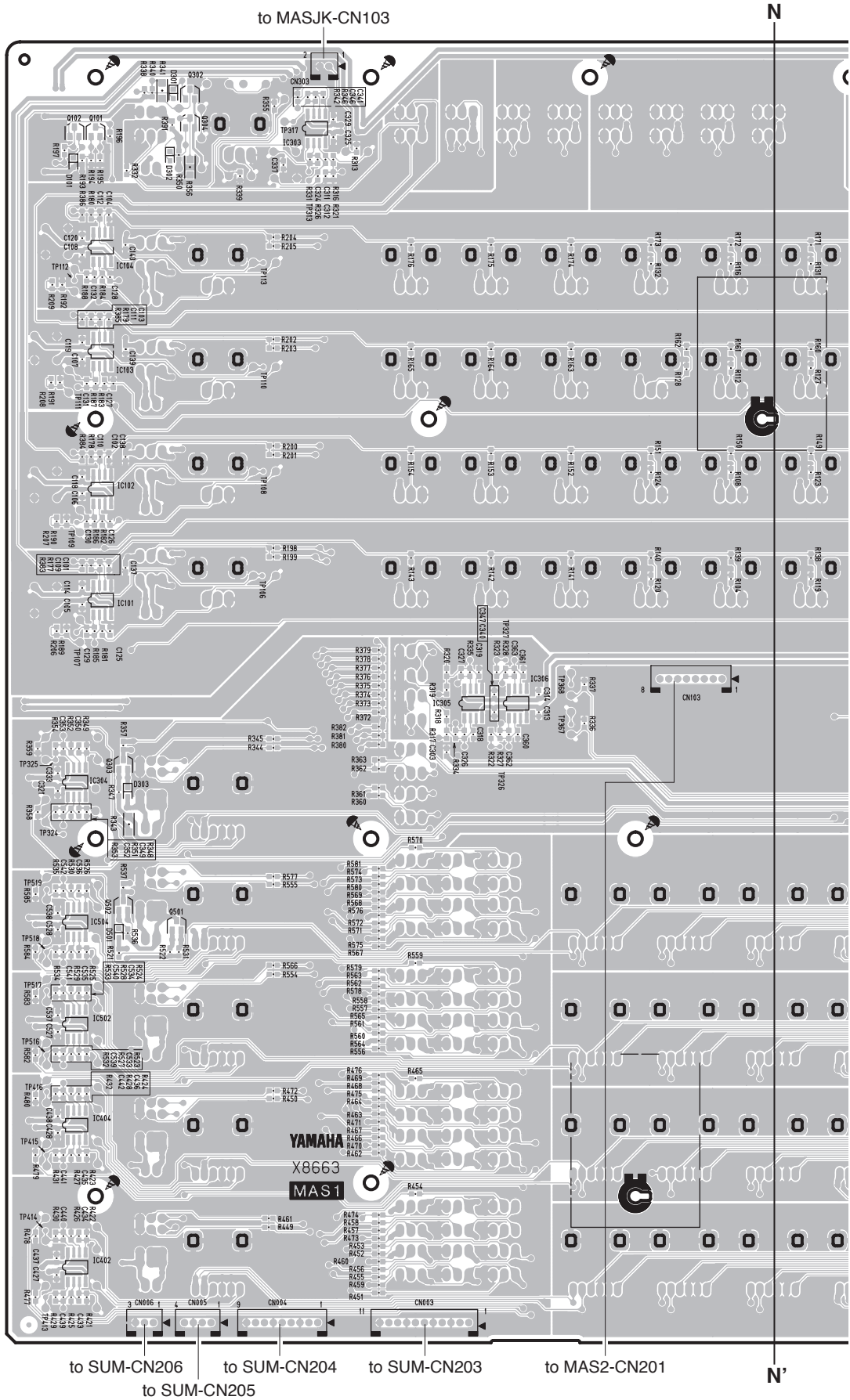
Scale: 75/100



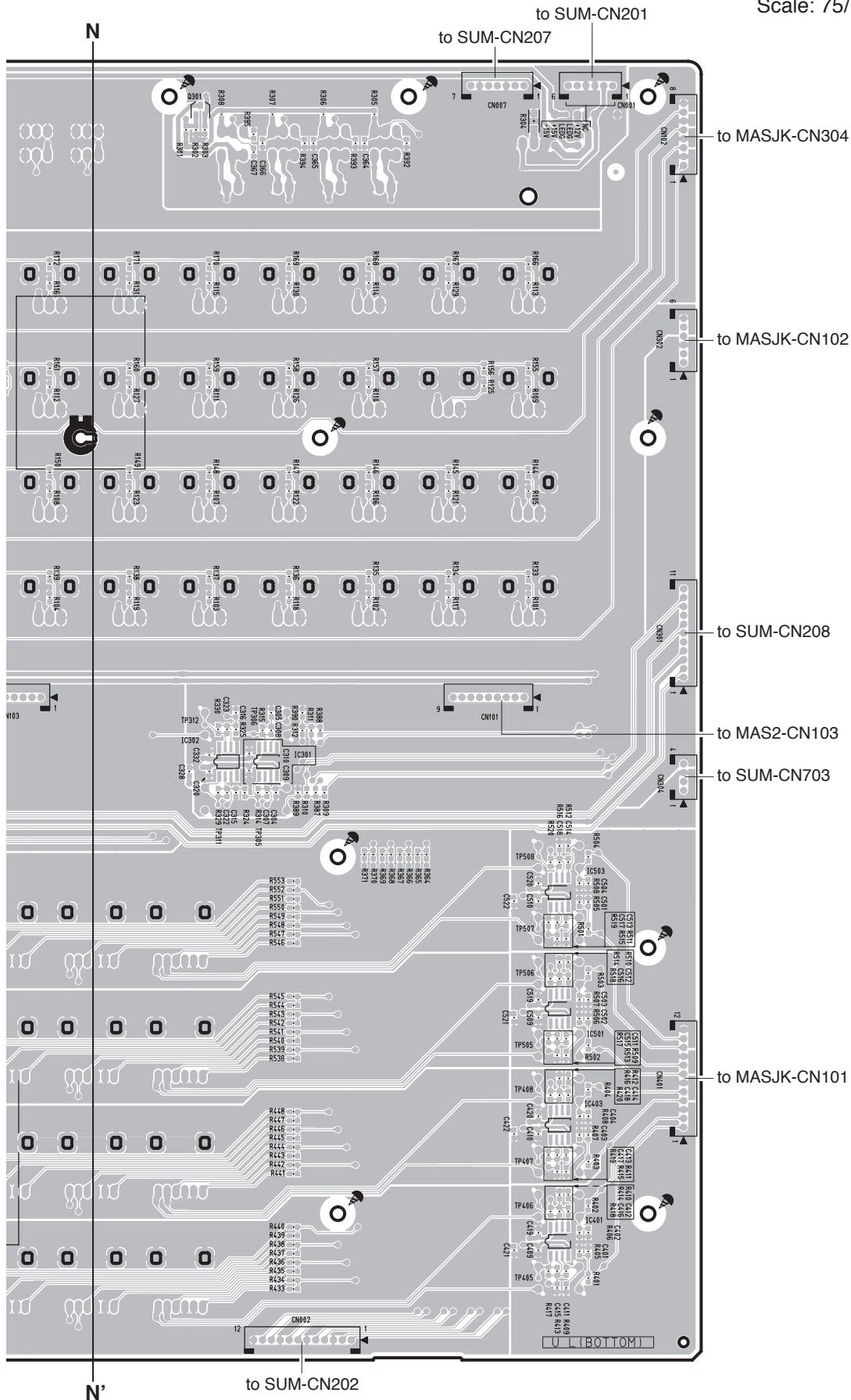
Component side (部品側)

MAS1: 2NA-WJ98630-1

● MAS1 Circuit Board



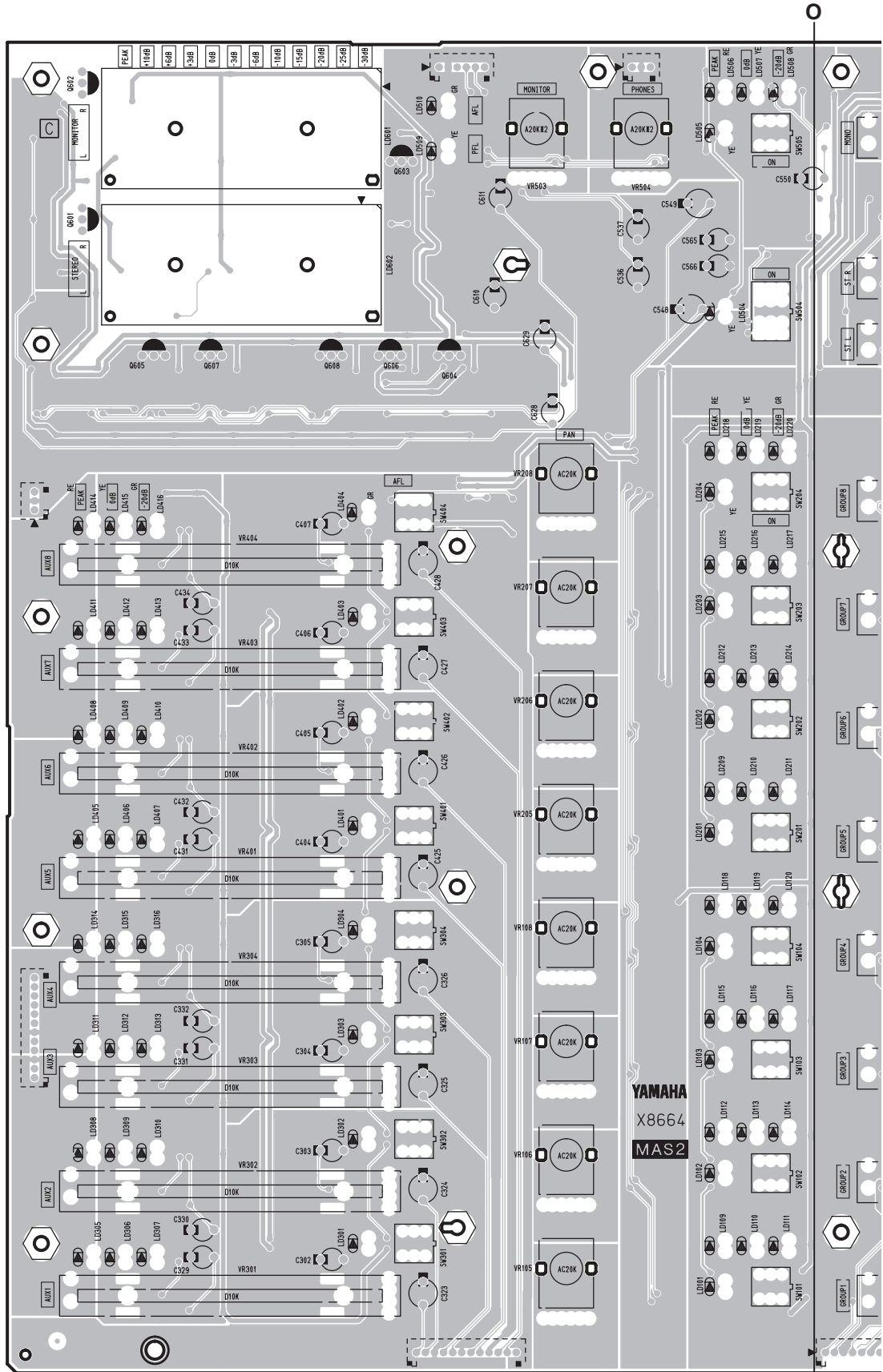
Scale: 75/100



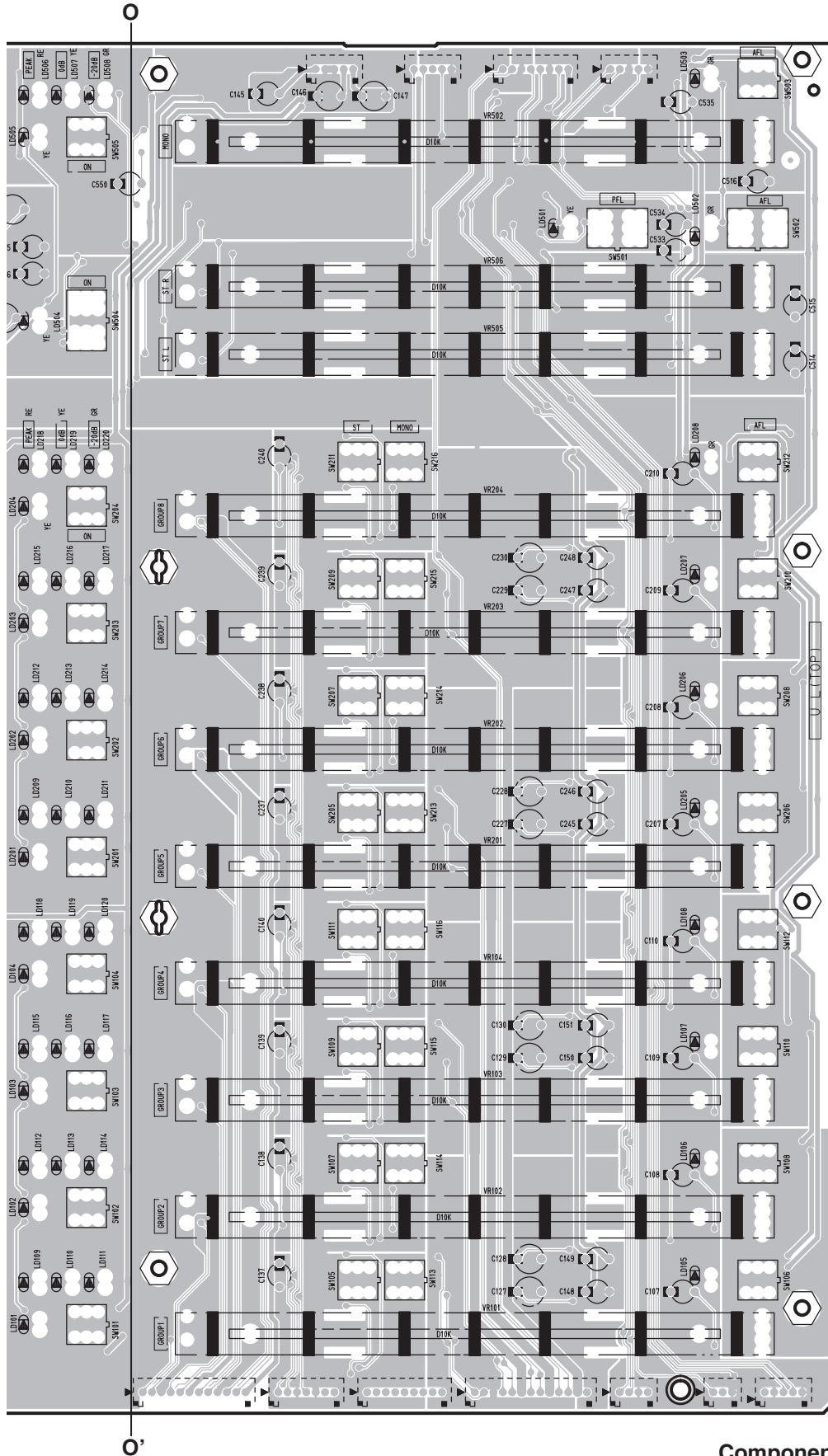
MAS1: 2NA-WJ98630-1

Pattern side (パターン側)

● MAS2 Circuit Board



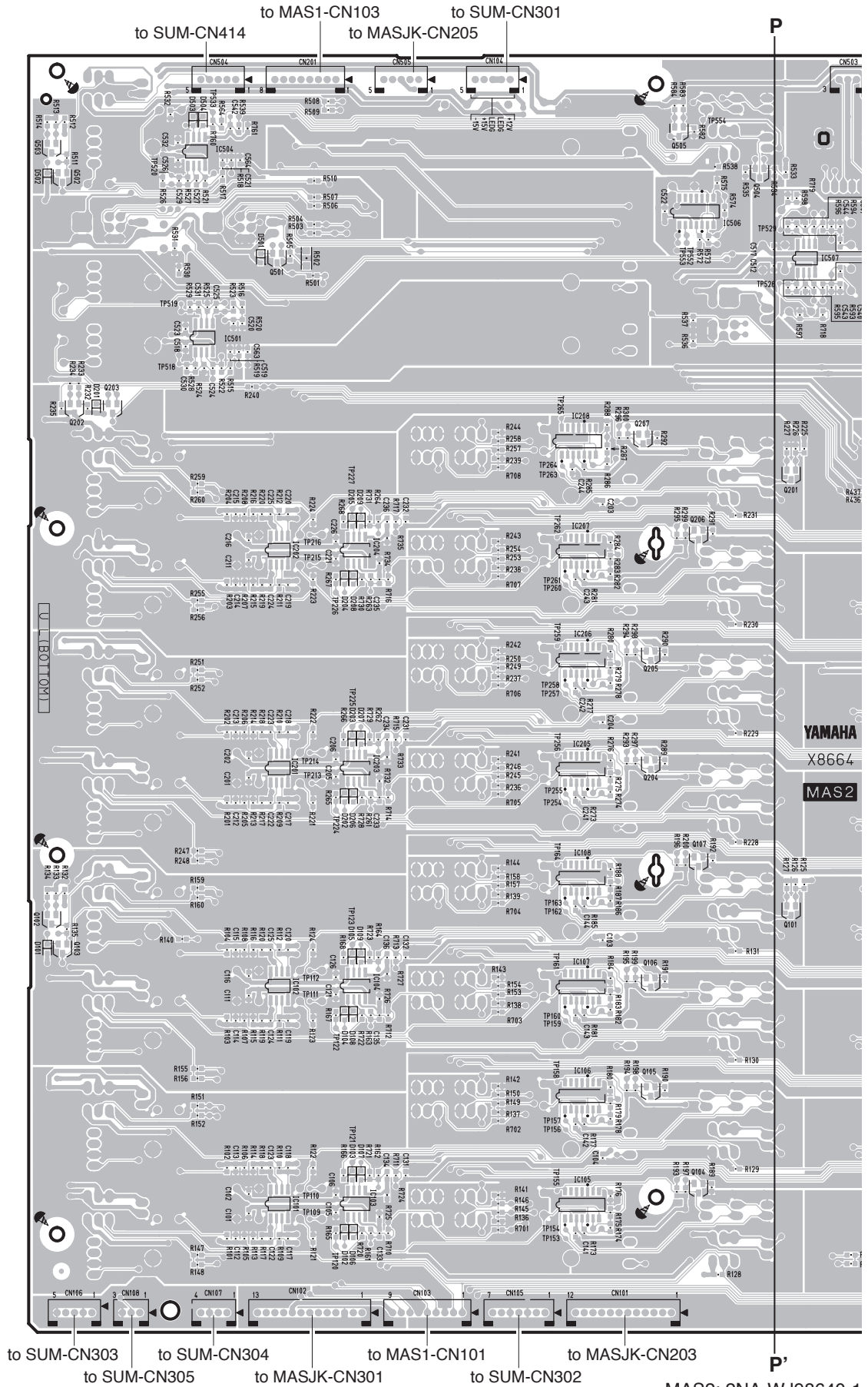
Scale: 75/100



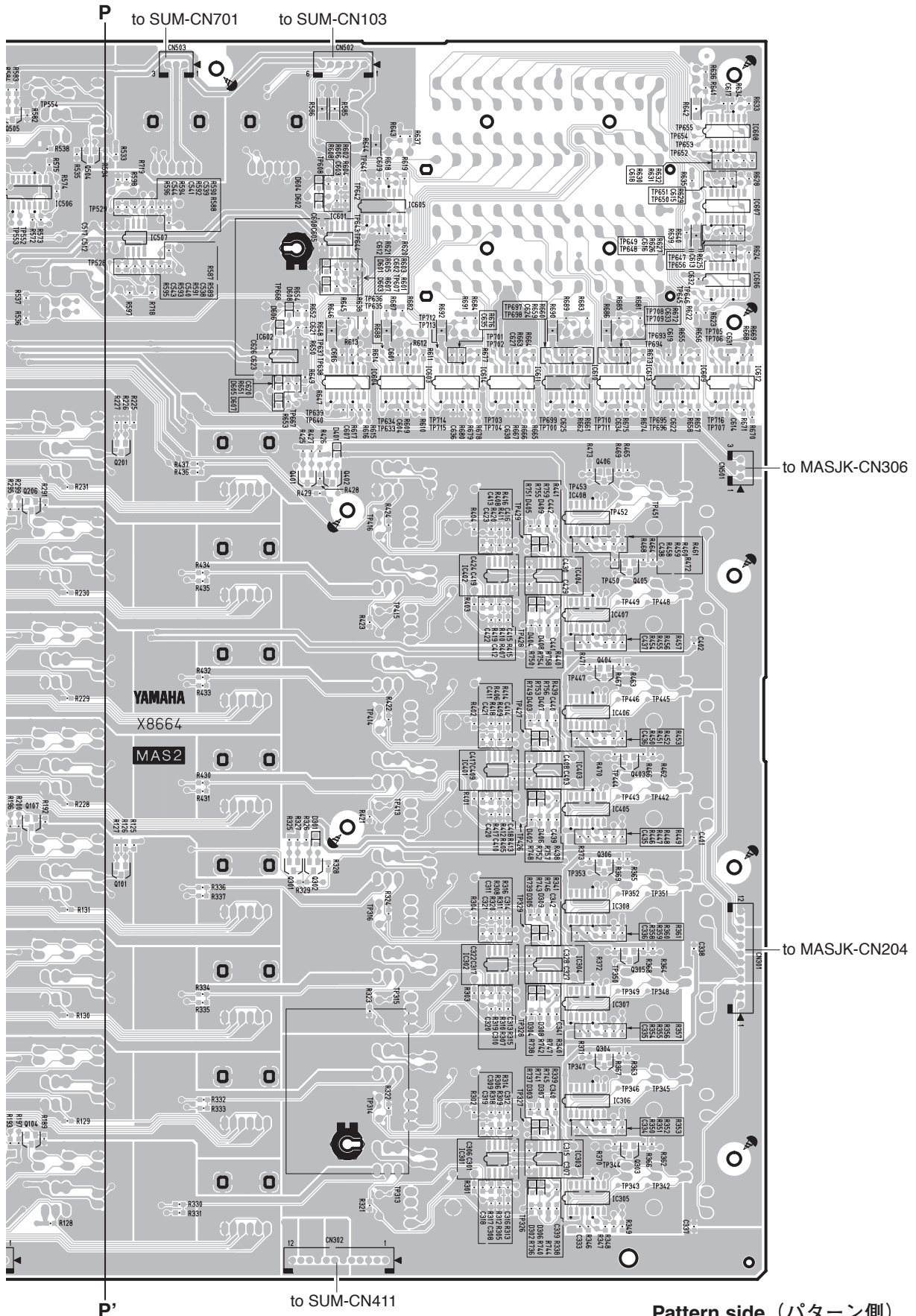
MAS2: 2NA-WJ98640-1

Component side (部品側)

● MAS2 Circuit Board

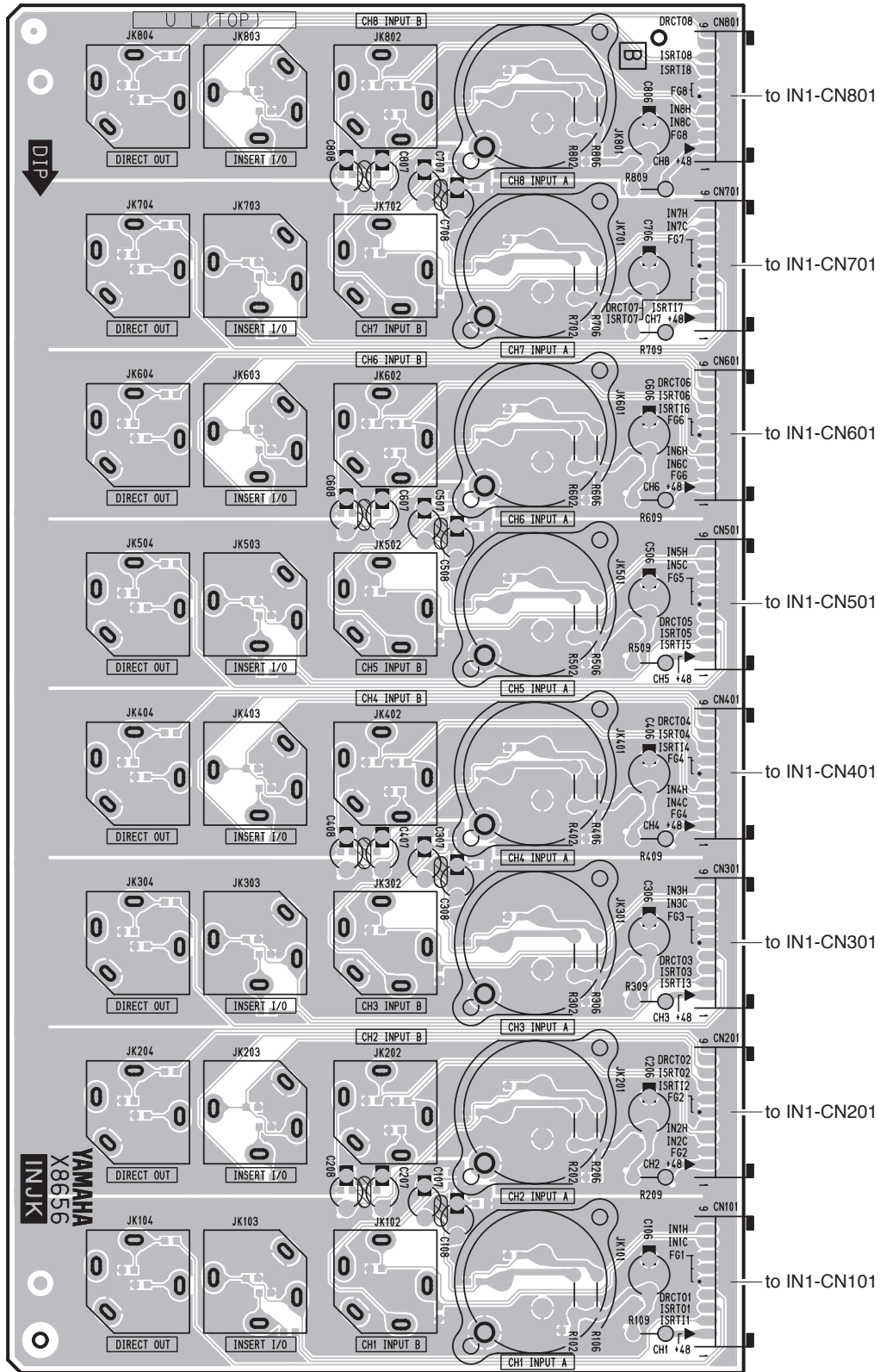


Scale: 75/100



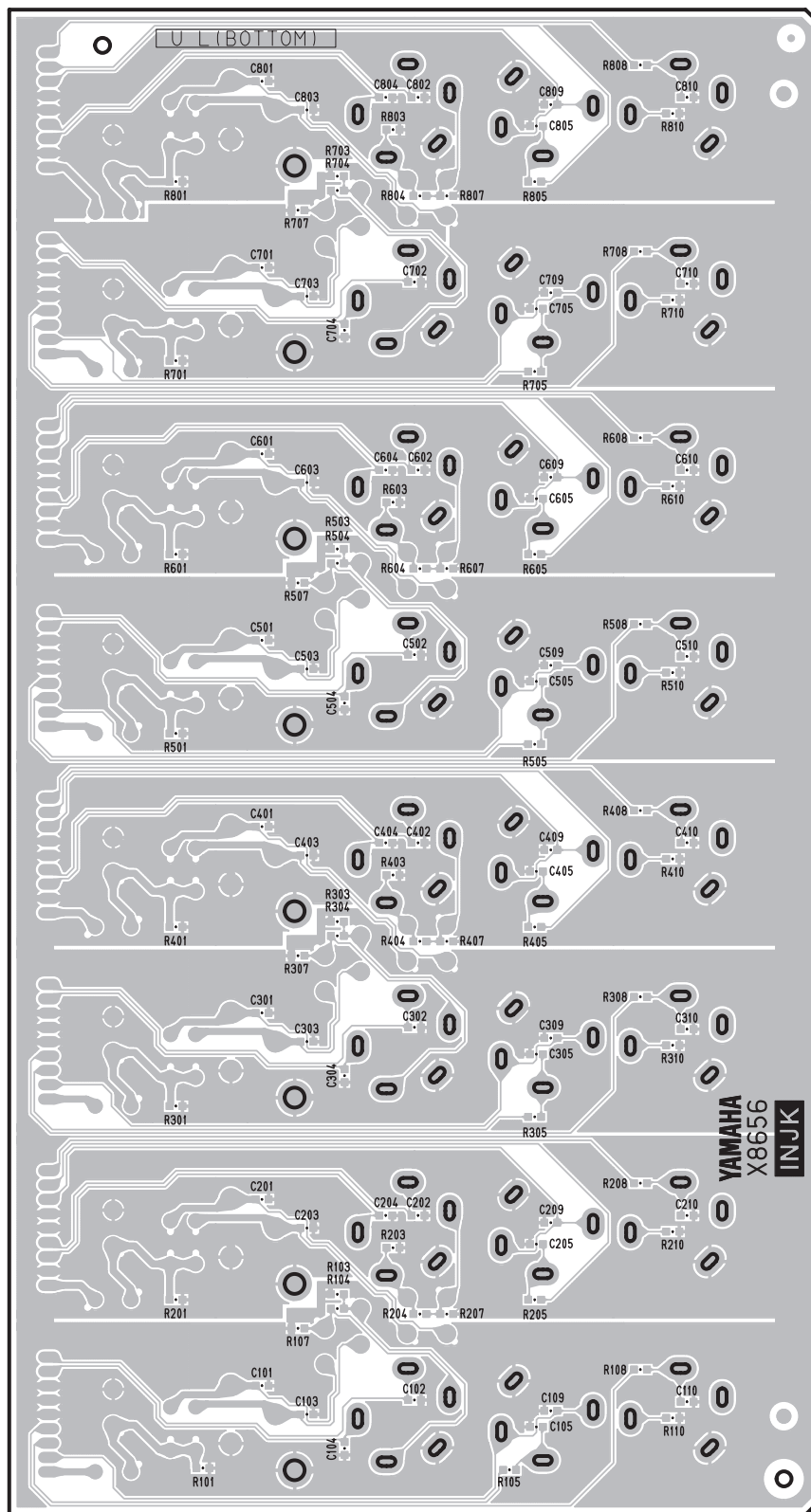
MAS2: 2NA-WJ98640-1

● INJK Circuit Board



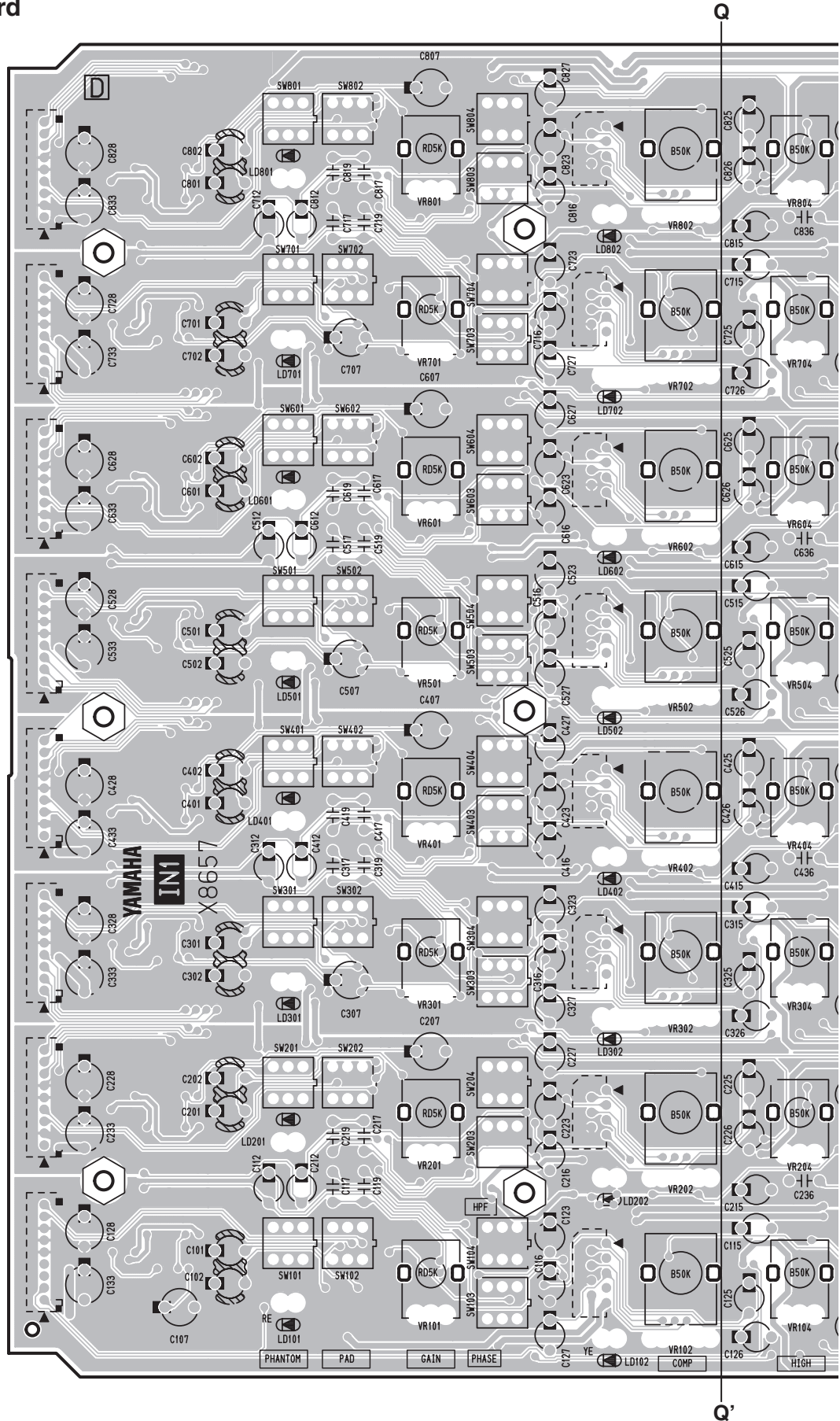
Component side (部品側)

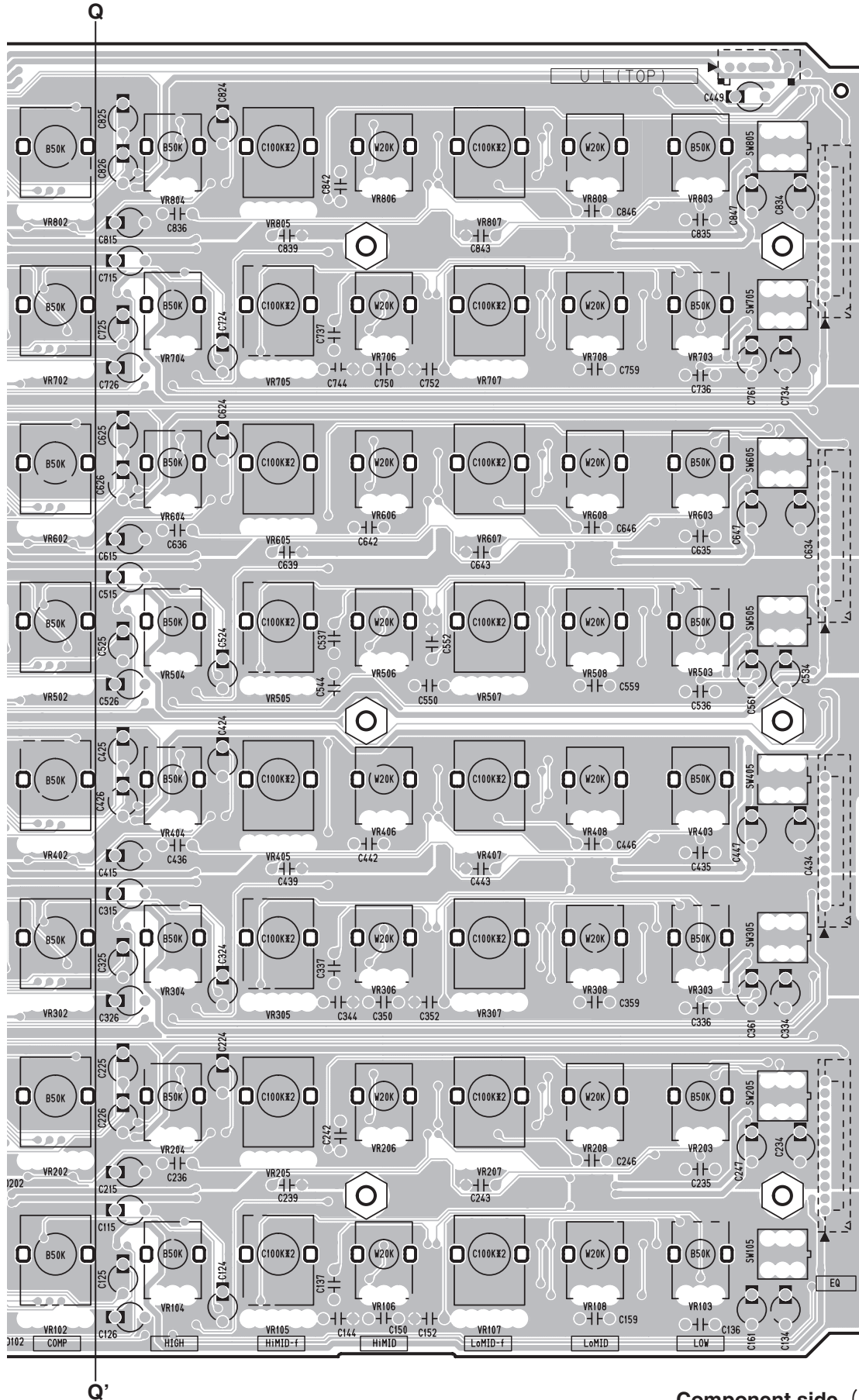
● INJK Circuit Board



Pattern side (パターン側)

● IN1 Circuit Board

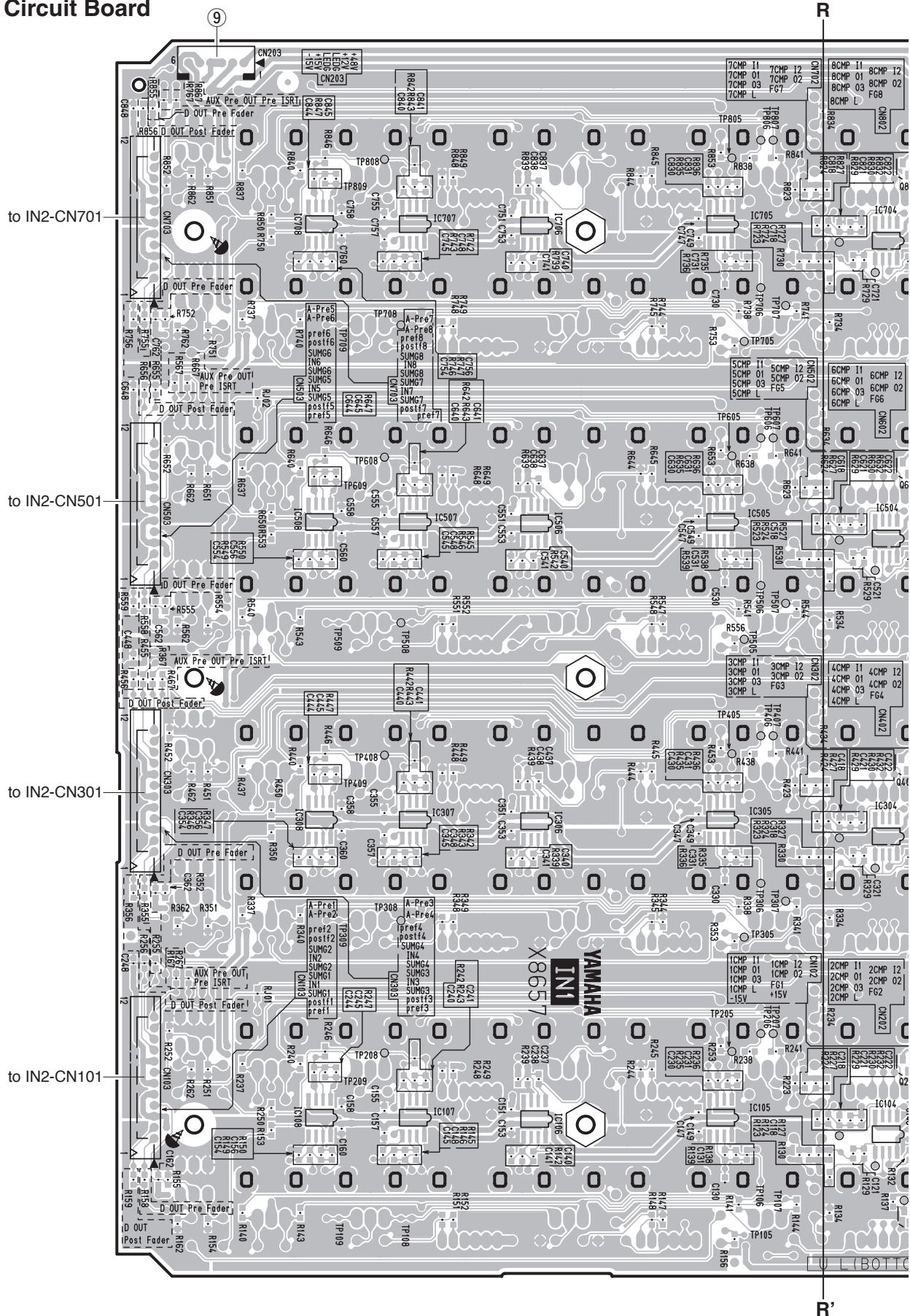




Component side (部品側)

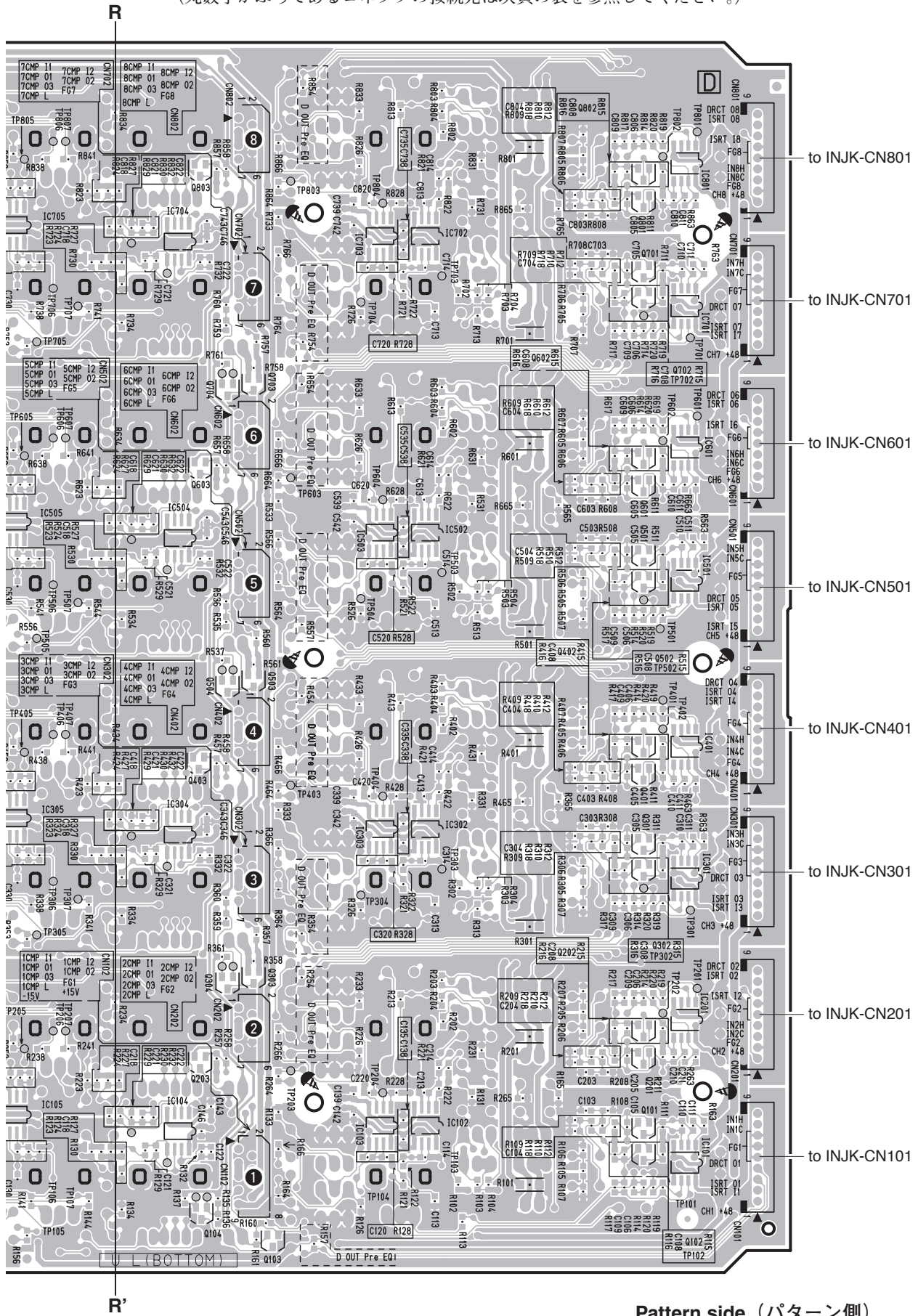
IN1: 2NA-WJ98570-1

● IN1 Circuit Board



Refer to the table in the following page for the destinations of the connectors indicated with an encircled number.

(丸数字がふつてあるコネクタの接続先は次頁の表を参照してください。)



IN1: 2NA-WJ98570-1

Pattern side (パターン側)

No.	connector	Destination
①	CN102	COMP-CN101
②	CN202	COMP-CN201
③	CN302	COMP-CN301
④	CN402	COMP-CN401
⑤	CN502	COMP-CN501
⑥	CN602	COMP-CN601
⑦	CN702	COMP-CN701
⑧	CN802	COMP-CN801

• IM8-40

No.	connector	Destination				
		CH1-8	CH9-16	CH17-24	CH25-32	CH33-40
⑨	CN203	BUS3-CN11	BUS3-CN21	BUS1-CN11	BUS4-CN11	BUS4-CN21

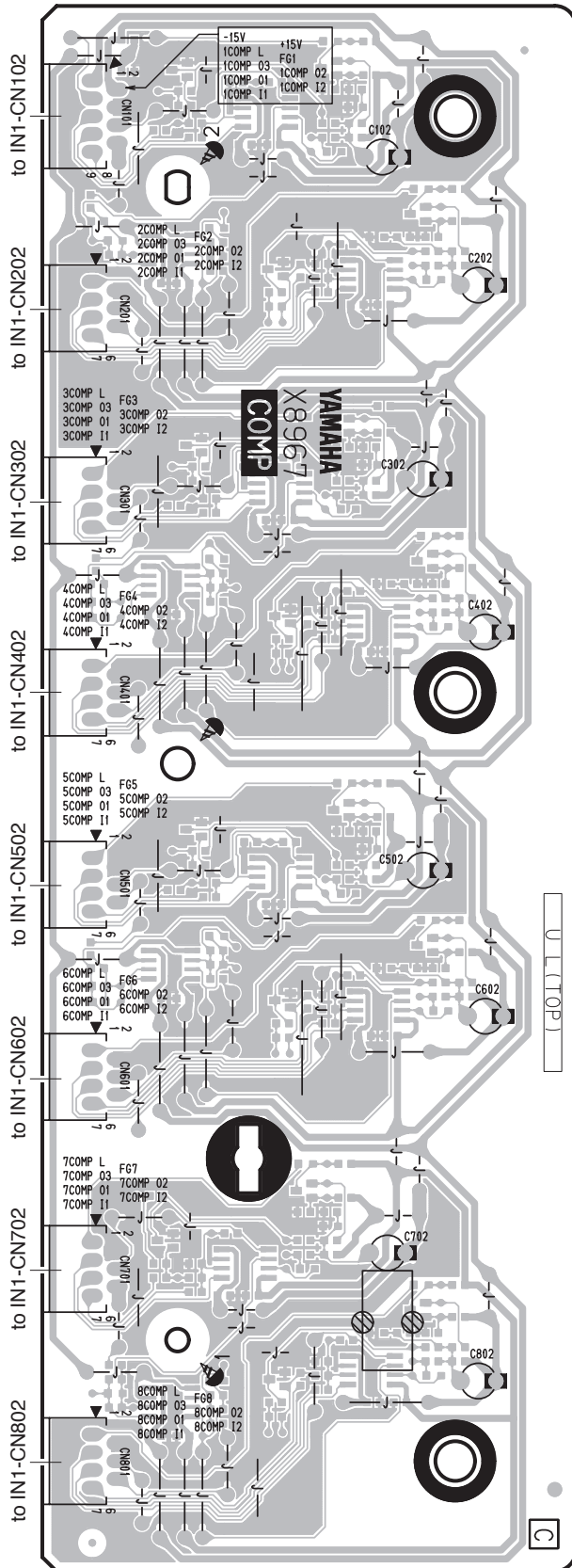
• IM8-32

No.	connector	Destination			
		CH1-8	CH9-16	CH17-24	CH25-32
⑨	CN203	BUS2L-CN11	BUS1-CN11	BUS4-CN11	BUS4-CN21

• IM8-32

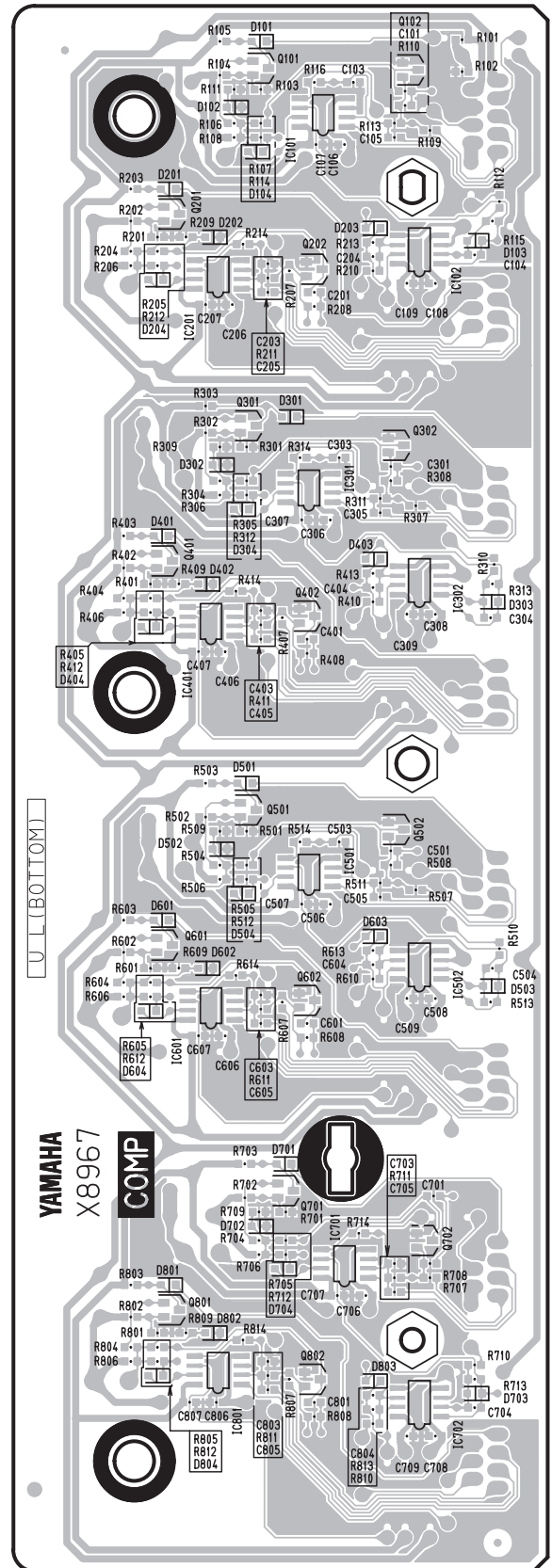
No.	connector	Destination		
		CH1-8	CH9-16	CH17-24
⑨	CN203	BUS2L-CN11	BUS1-CN11	BUS2R-CN11

● COMP Circuit Board



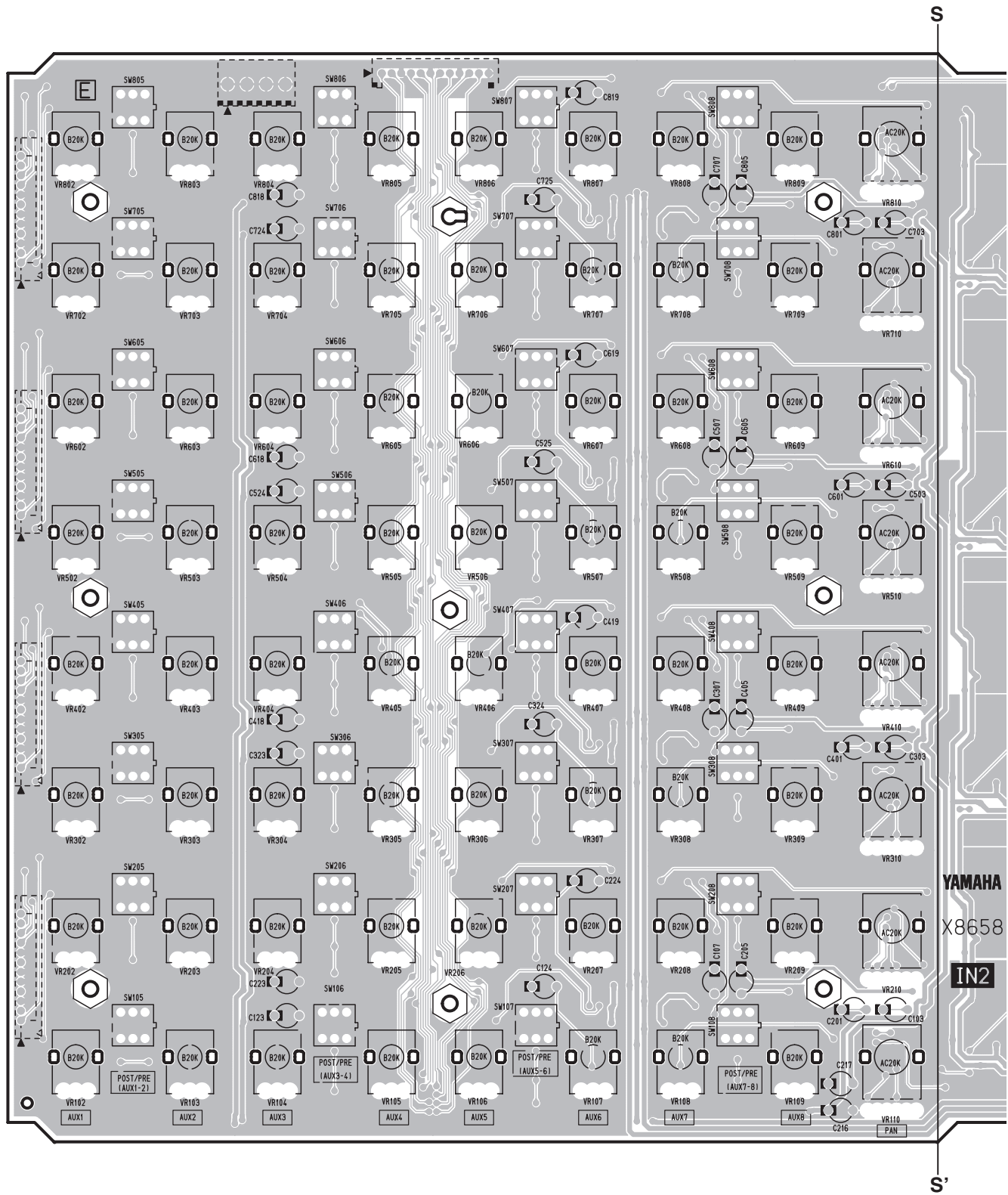
Component side (部品側)

COMP: 2NA-WM77170-1 △



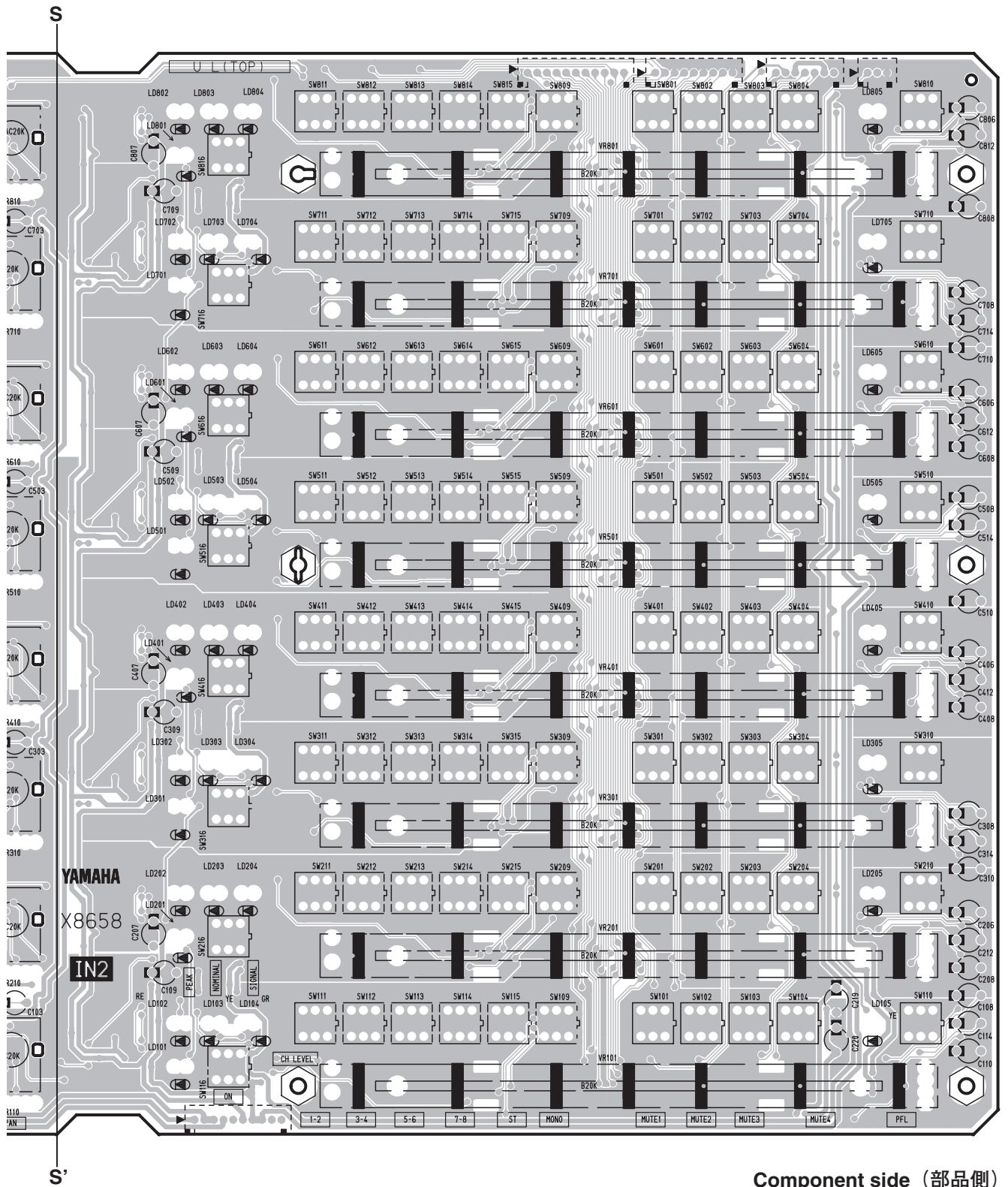
Pattern side (パターン側)

● IN2 Circuit Board



YAMAHA
X8658
IN2

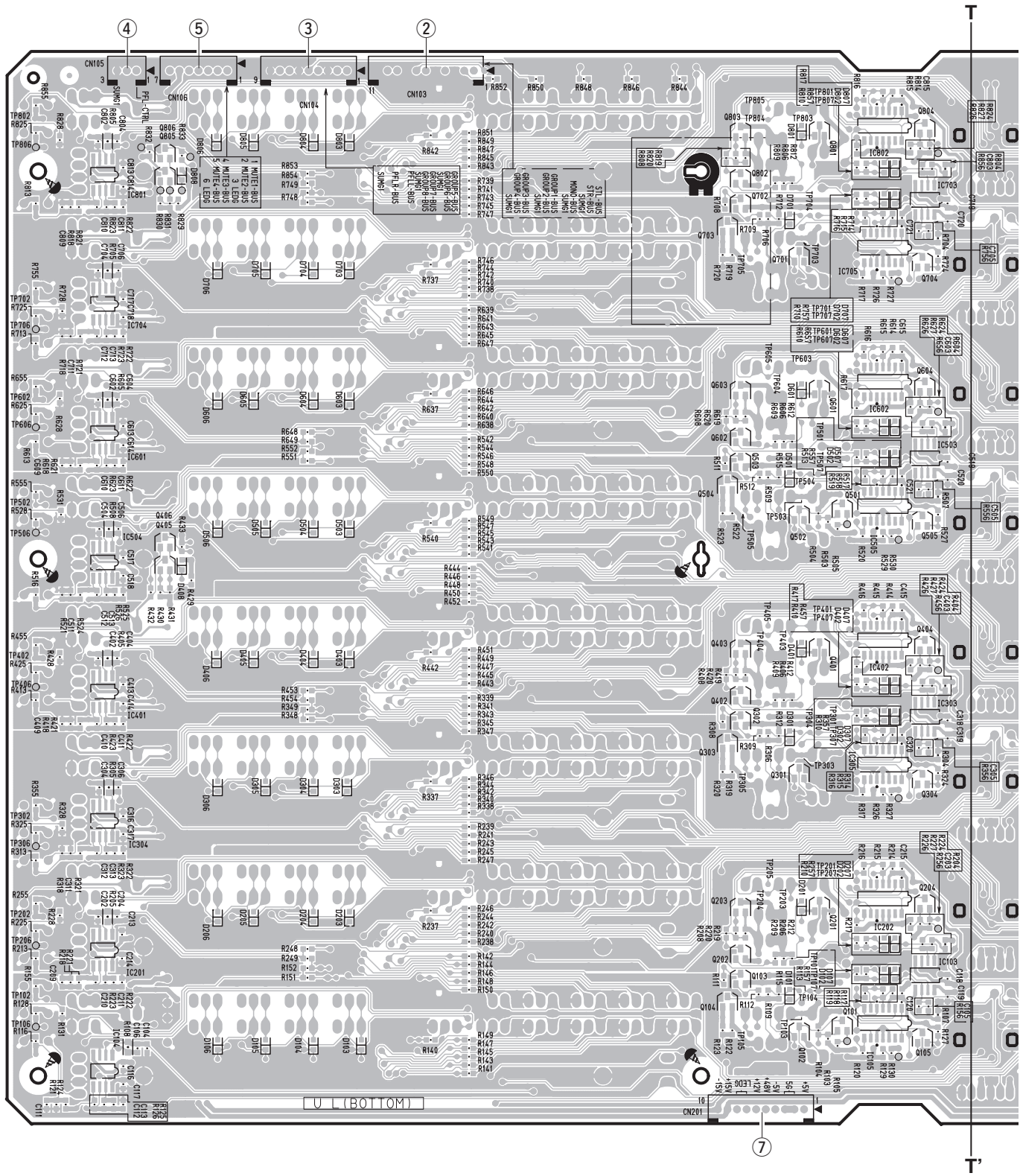
Scale: 85/100



Component side (部品側)

IN2: 2NA-WJ98580-1

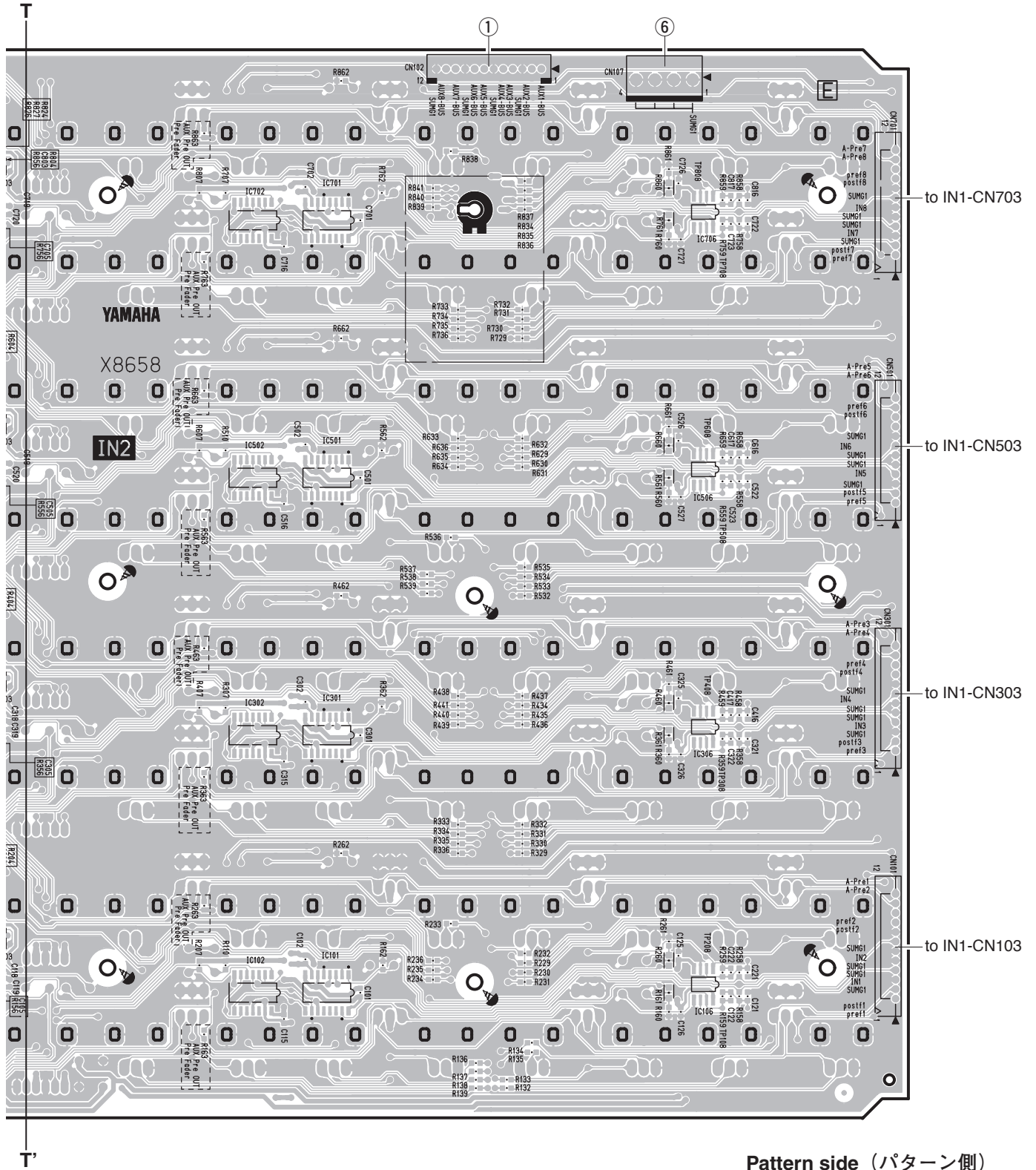
• IN2 Circuit Board



Refer to the table in the following page for the destinations of the connectors indicated with an encircled number.

(丸数字がふってあるコネクタの接続先は次頁の表を参照してください。)

Scale: 85/100



Pattern side (パターン側)

• IM8-40

No.	connector	Destination				
		CH1-8	CH9-16	CH17-24	CH25-32	CH33-40
①	CN102	BUS3-CN12	BUS3-CN22	BUS1-CN12	BUS4-CN12	BUS4-CN22
②	CN103	BUS3-CN13	BUS3-CN23	BUS1-CN13	BUS4-CN13	BUS4-CN23
③	CN104	BUS3-CN14	BUS3-CN24	BUS1-CN14	BUS4-CN14	BUS4-CN24
④	CN105	BUS3-CN15	BUS3-CN25	BUS1-CN15	BUS4-CN15	BUS4-CN25
⑤	CN106	BUS3-CN16	BUS3-CN26	BUS1-CN16	BUS4-CN16	BUS4-CN26
⑥	CN107	BUS3-CN18	BUS3-CN28	BUS1-CN18	BUS4-CN18	BUS4-CN28
⑦	CN201	BUS3-CN17	BUS3-CN27	BUS1-CN17	BUS4-CN17	BUS4-CN27

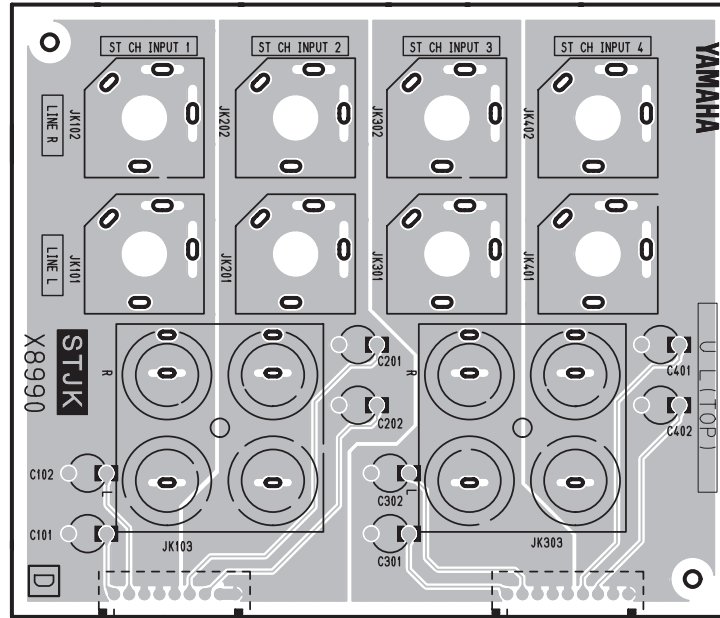
• IM8-32

No.	connector	Destination			
		CH1-8	CH9-16	CH17-24	CH25-32
①	CN102	BUS2L-CN12	BUS1-CN12	BUS4-CN12	BUS4-CN22
②	CN103	BUS2L-CN13	BUS1-CN13	BUS4-CN13	BUS4-CN23
③	CN104	BUS2L-CN14	BUS1-CN14	BUS4-CN14	BUS4-CN24
④	CN105	BUS2L-CN15	BUS1-CN15	BUS4-CN15	BUS4-CN25
⑤	CN106	BUS2L-CN16	BUS1-CN16	BUS4-CN16	BUS4-CN26
⑥	CN107	BUS2L-CN18	BUS1-CN18	BUS4-CN18	BUS4-CN28
⑦	CN201	BUS2L-CN17	BUS1-CN17	BUS4-CN17	BUS4-CN27

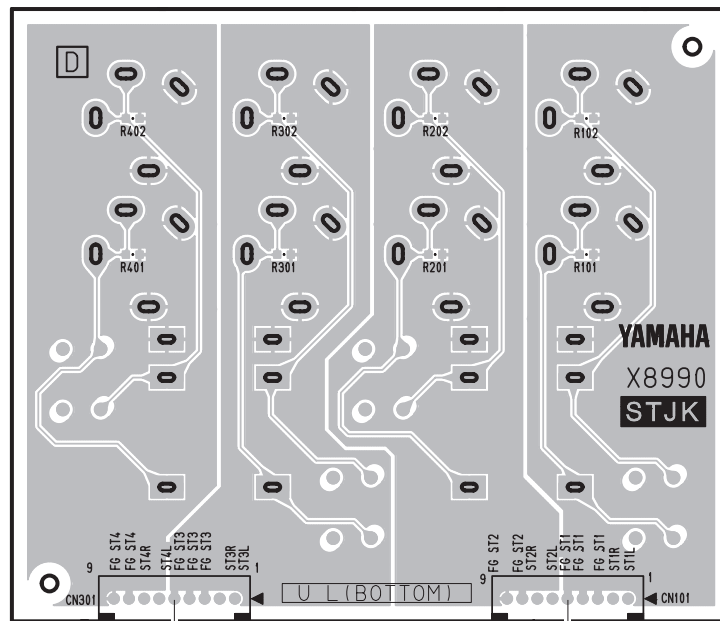
• IM8-24

No.	connector	Destination		
		CH1-8	CH9-16	CH17-24
①	CN102	BUS2L-CN12	BUS1-CN12	BUS2R-CN12
②	CN103	BUS2L-CN13	BUS1-CN13	BUS2R-CN13
③	CN104	BUS2L-CN14	BUS1-CN14	BUS2R-CN14
④	CN105	BUS2L-CN15	BUS1-CN15	BUS2R-CN15
⑤	CN106	BUS2L-CN16	BUS1-CN16	BUS2R-CN16
⑥	CN107	BUS2L-CN18	BUS1-CN18	BUS2R-CN28
⑦	CN201	BUS2L-CN17	BUS1-CN17	BUS2R-CN17

● STJK Circuit Board

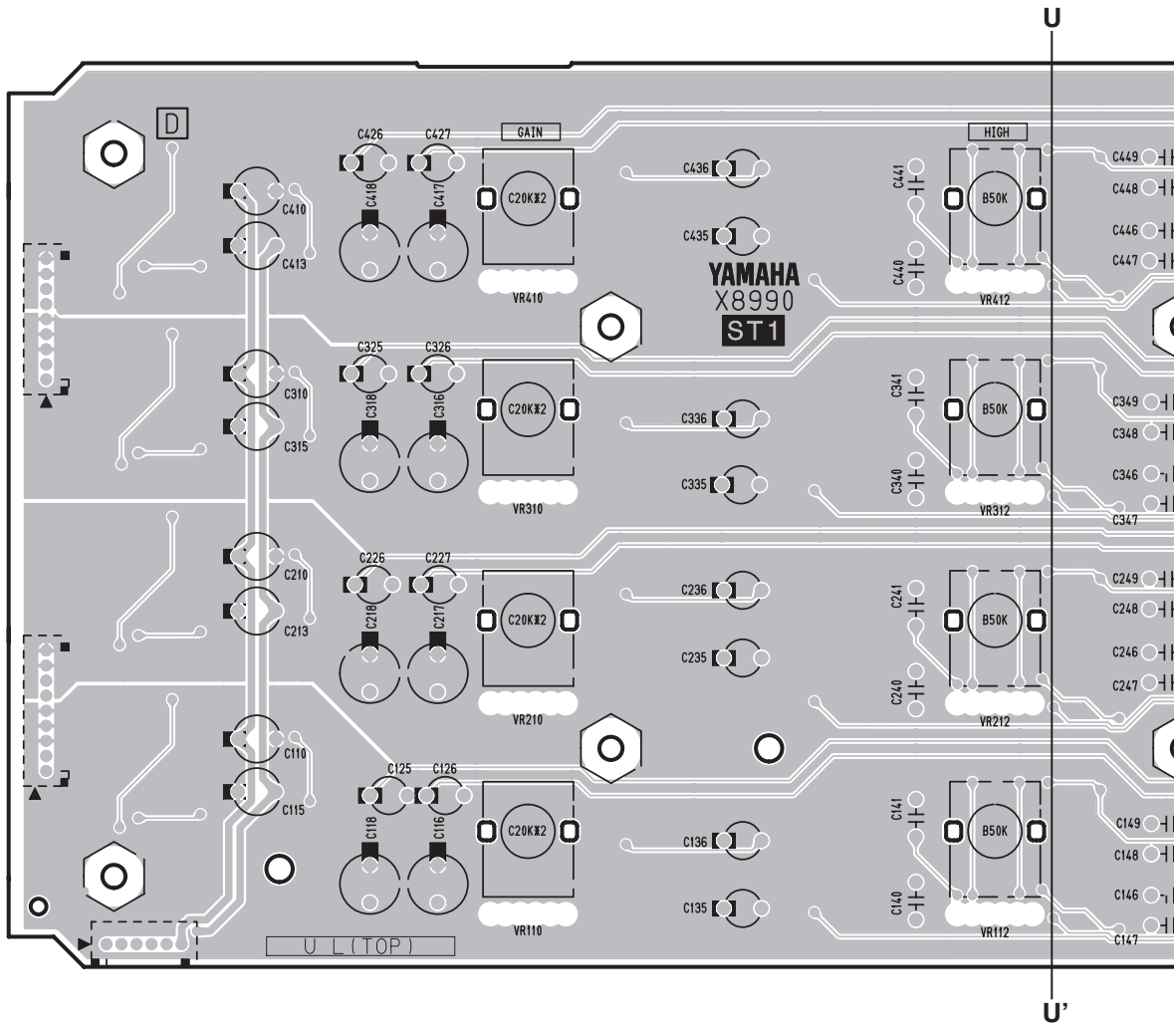


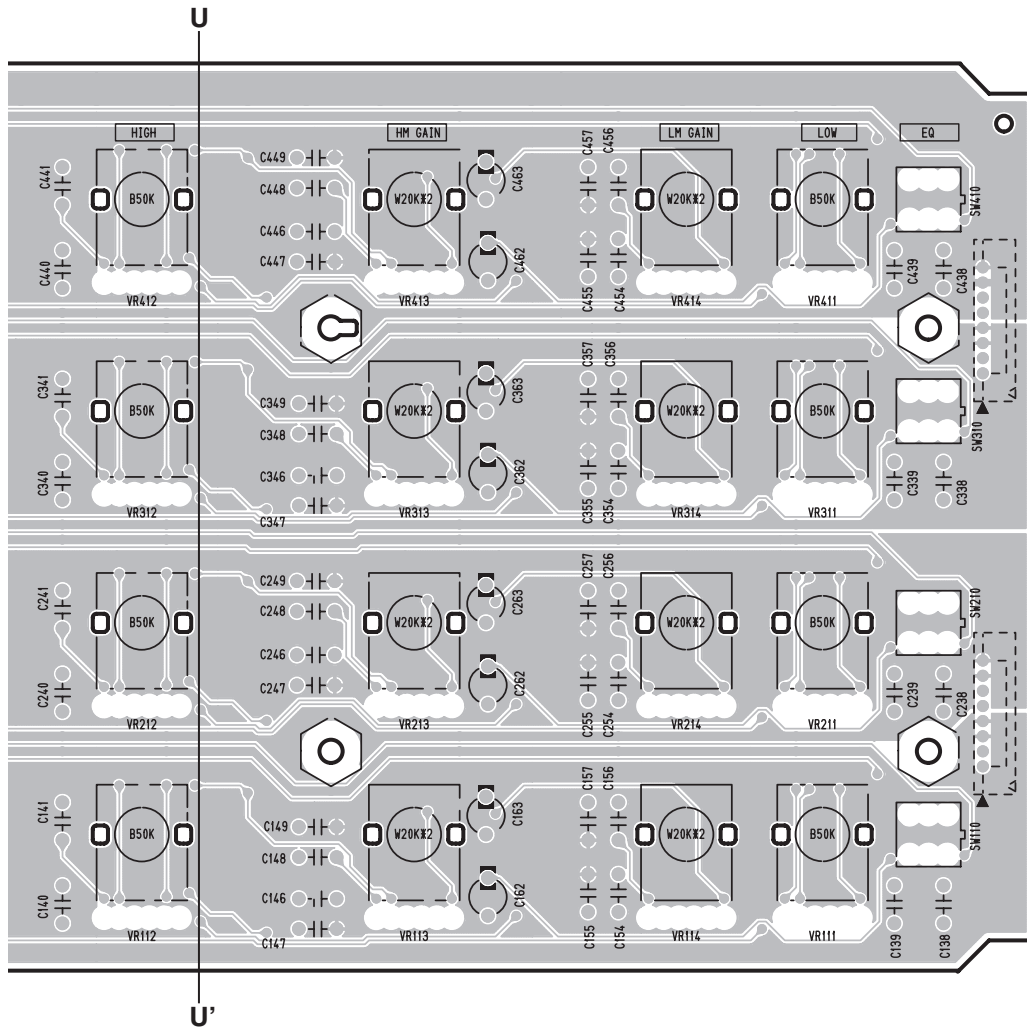
Component side (部品側)



Pattern side (パターン側)

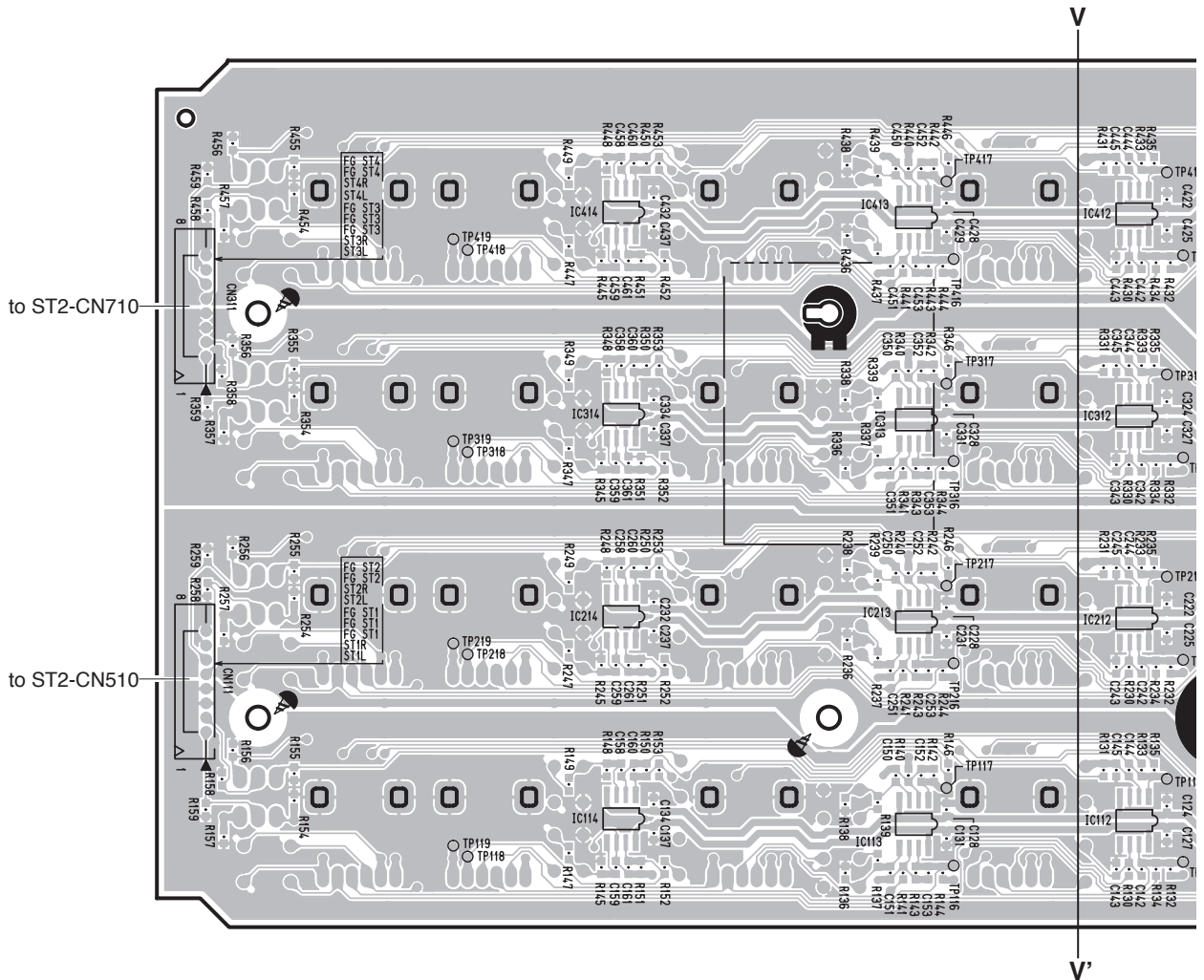
● ST1 Circuit Board

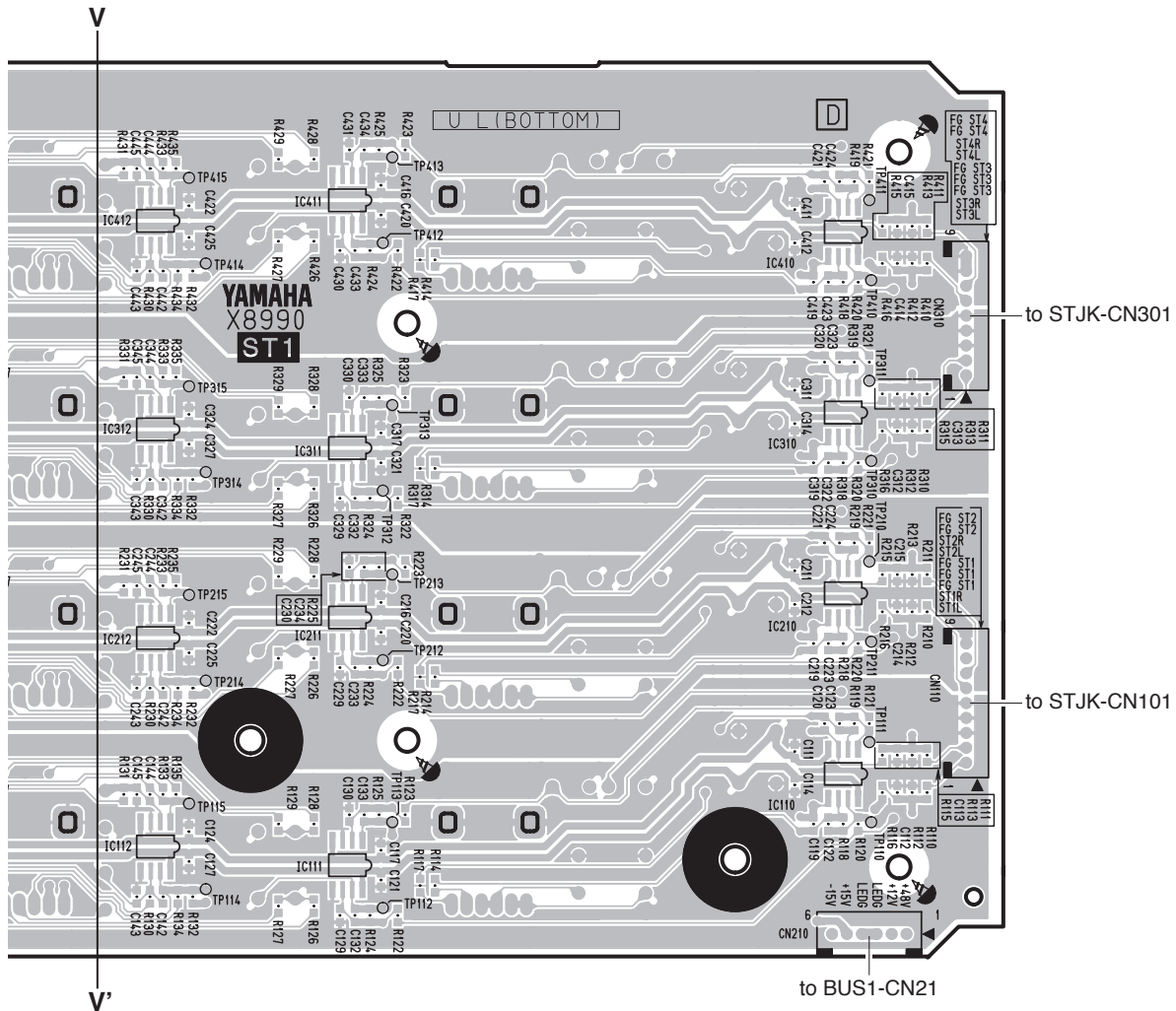




Component side (部品側)

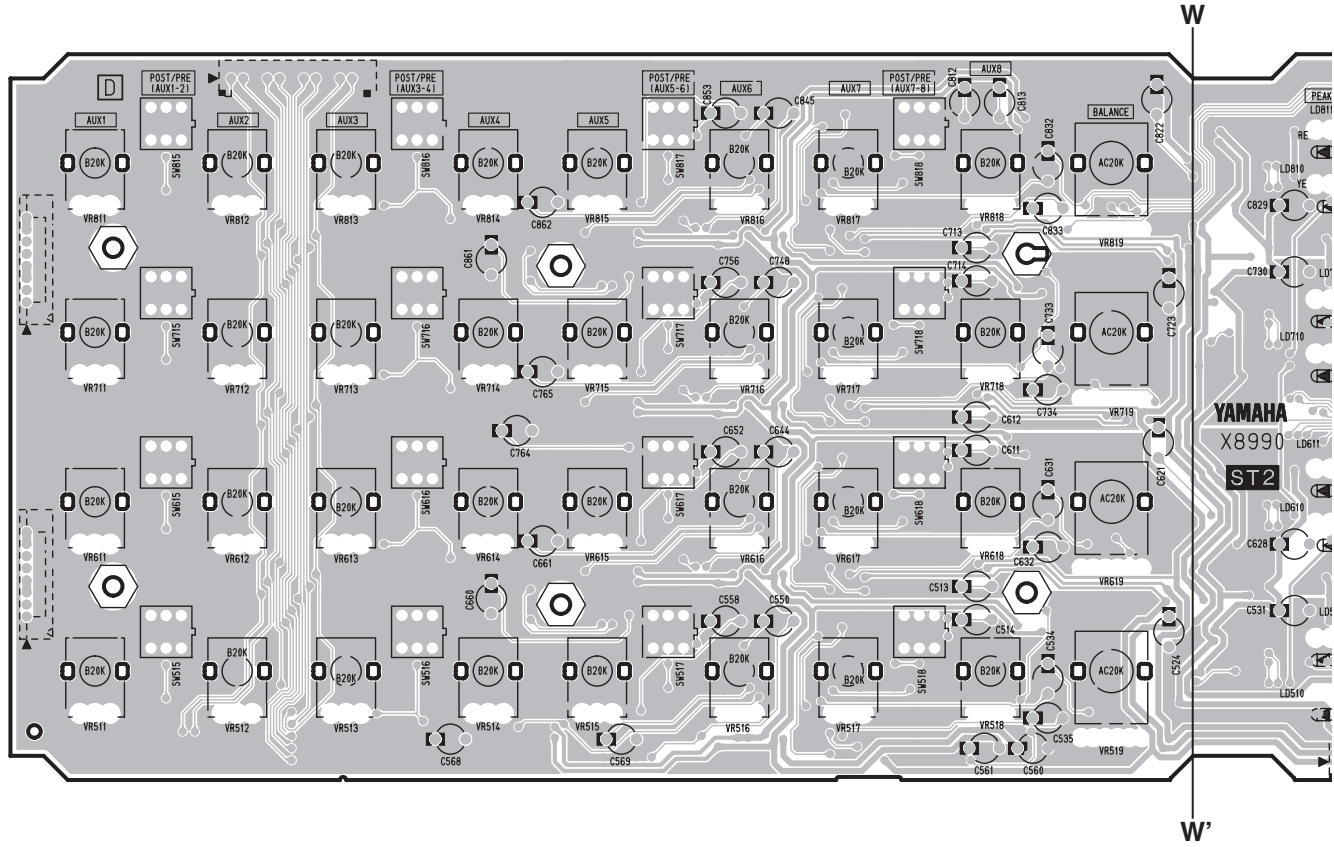
● ST1 Circuit Board



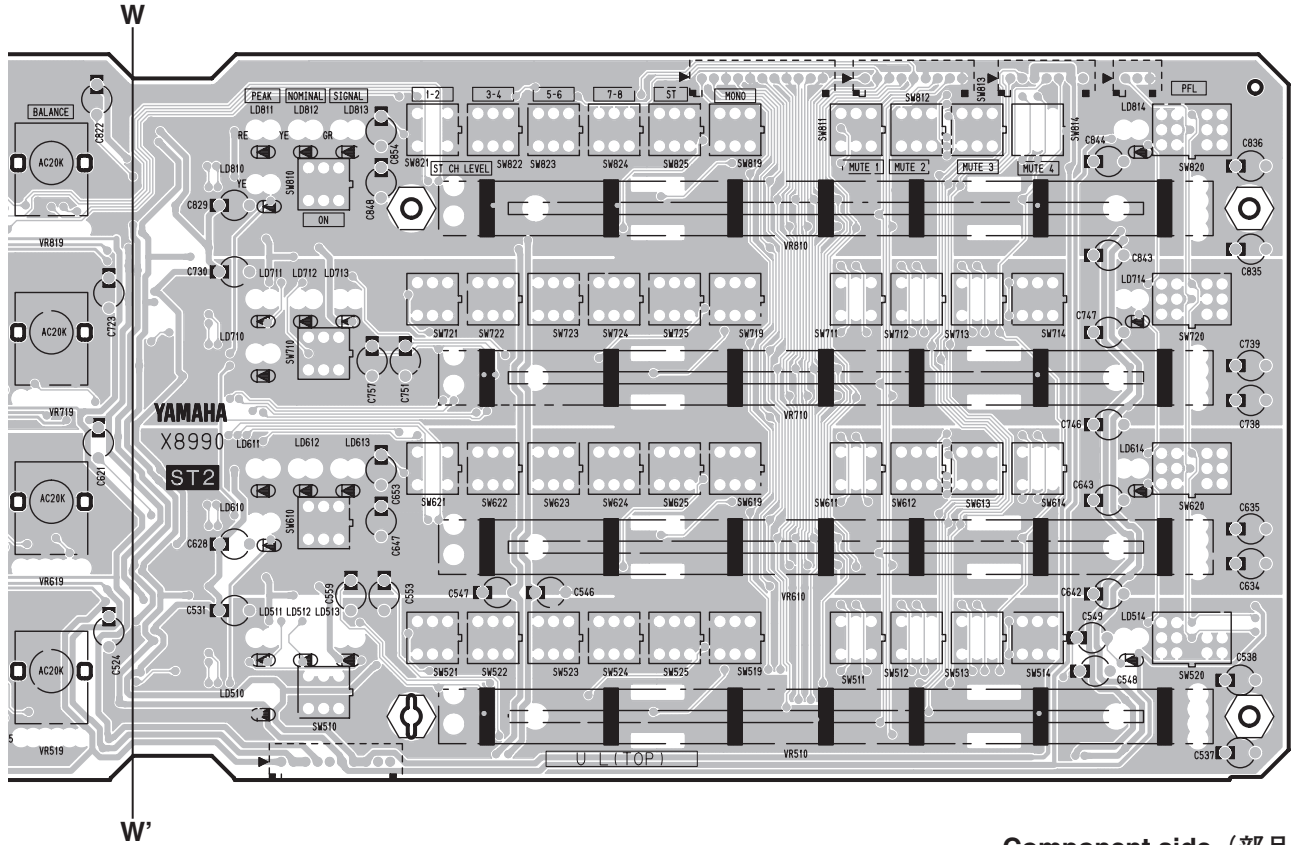


Pattern side (パターン側)

● ST2 Circuit Board

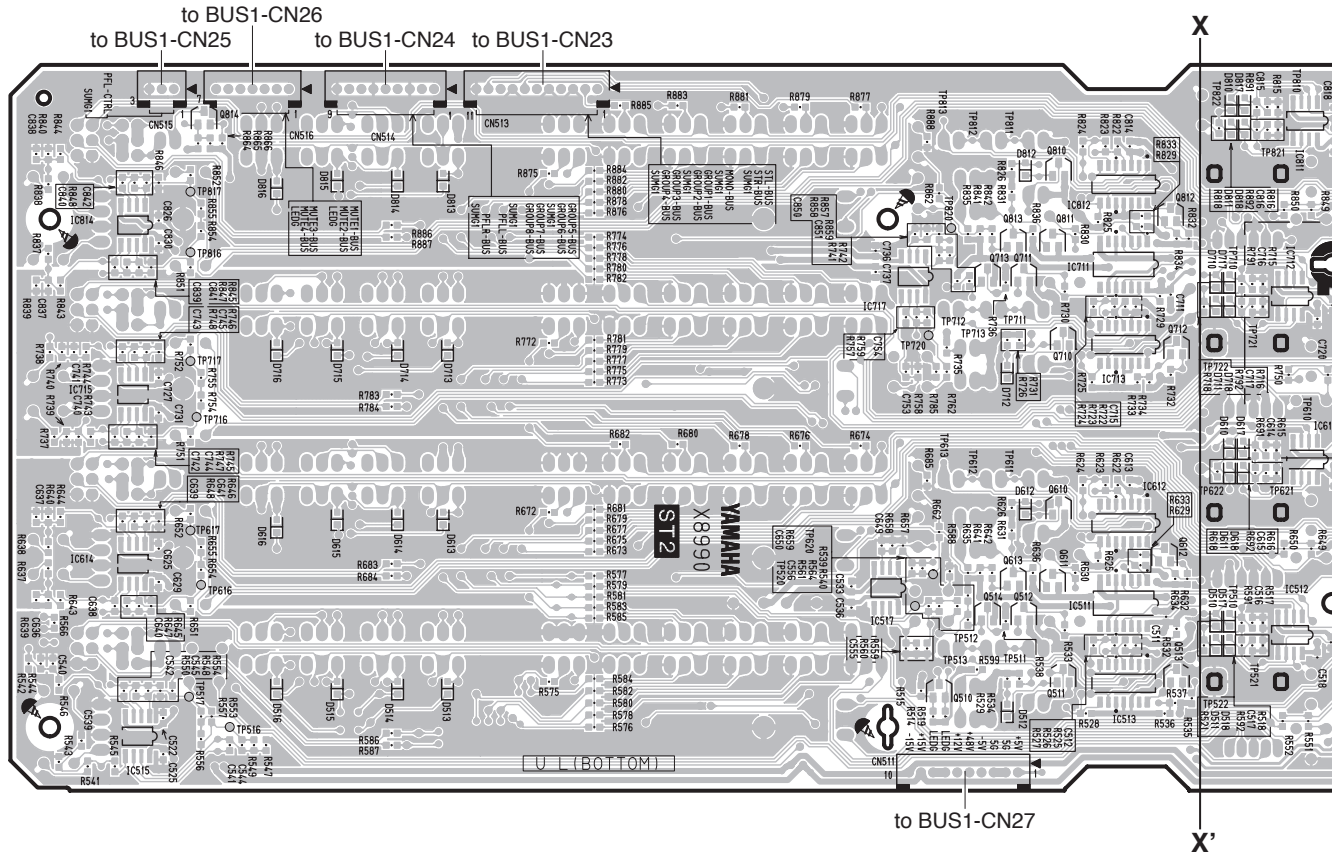


Scale: 80/100

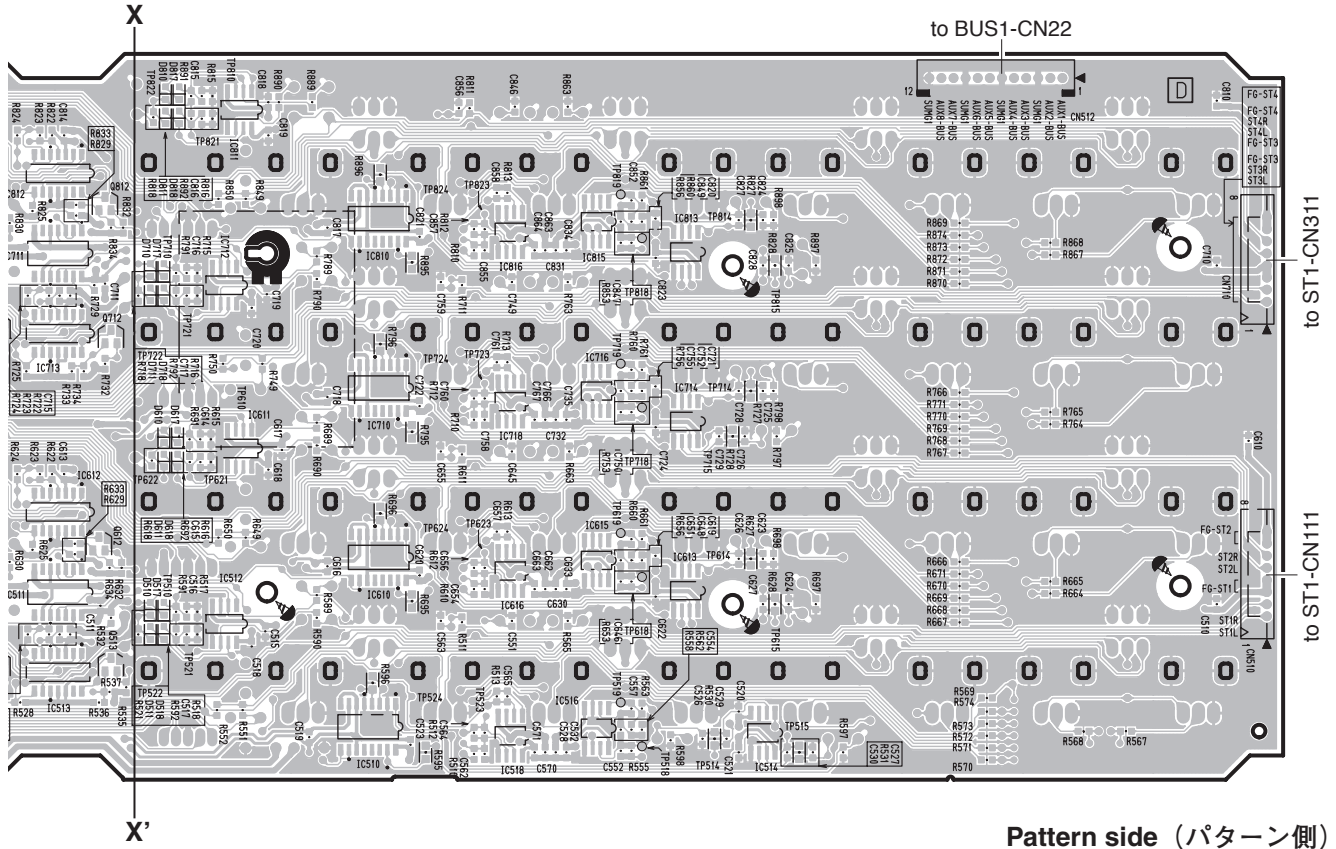


Component side (部品側)

● ST2 Circuit Board

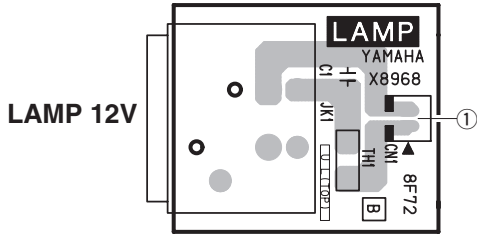


Scale: 80/100



Pattern side (パターン側)

● LAMP Circuit Board



Component side (部品側)

● IM8-40

No.	connector	Destination		
		LAMP (1)	LAMP (2)	LAMP (3)
①	CN1	BUS3-CN19	BUS1-CN19	BUS4-CN29

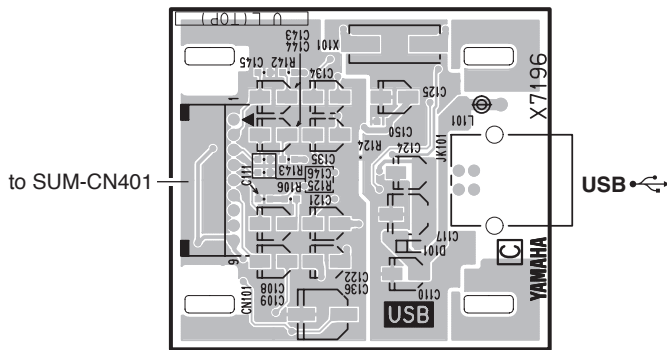
● IM8-32

No.	connector	Destination	
		LAMP (1)	LAMP (2)
①	CN1	BUS2L-CN19	BUS4-CN19

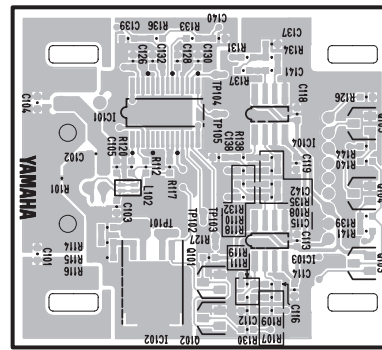
● IM8-24

No.	connector	Destination	
		LAMP (1)	LAMP (2)
①	CN1	BUS2L-CN19	BUS2R-CN29

● USB Circuit Board

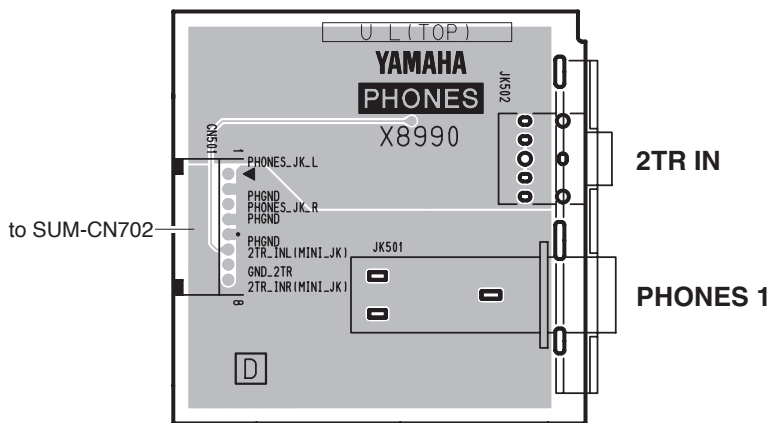


Component side (部品側)

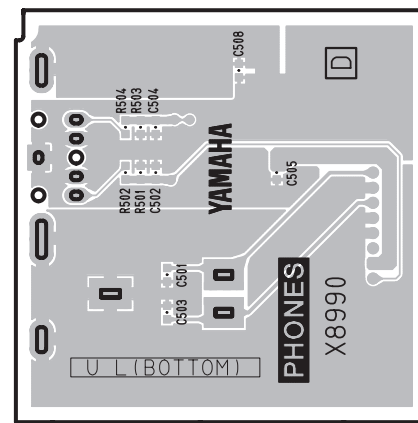


Pattern side (パターン側)

● PHONES Circuit Board



Component side (部品側)



Pattern side (パターン側)

INSPECTIONS

1. Measurement condition

1-1 Environment

Temperature (5°C – 40°C)

Humidity (30% – 90%)

2. Inspection

2-1 Preparation

Connect the instrument to the power supply (PW8) with the included cable. The power supply voltage deviation should be within $\pm 10\%$. Load resistor of each output terminal is as follows:

PHONES (L, R)	: 40 Ω	Unbalanced
ST OUT	: 600 Ω	Balanced
MONO OUT	: 600 Ω	Balanced
AUX1–8 OUT	: 600 Ω	Balanced
GROUP1–8 OUT	: 10k Ω	Unbalanced
MATRIX (1–4) OUT	: 10k Ω	Unbalanced
Others	: 10k Ω	Unbalanced

Unless otherwise specified, the operation elements shall be set as follows,

• CH INPUT

+48V(PHANTOM) switch	: OFF
ϕ (PHASE) switch	: OFF (NORMAL)
GAIN control	: Maximum (-60 dBu)
26 dB (PAD) switch	: OFF (0 dB)
$1/80$ (HPF) switch	: OFF
COMP control	: Minimum (OFF)
EQ (HIGH, MID, LOW) control	: CENTER
EQ HI-MID frequency control	: Minimum
EQ LO-MID frequency control	: Minimum
EQ ON switch	: OFF
AUX 1–8 control	: Maximum
AUX 1–2, 3–4, 5–6, 7–8 PRE switch	: OFF (POST)
PAN control	: L (Fully turned counterclockwise)
ON switch	: ON when taking measurement only (LED lights up), OFF otherwise
1–2 switch	: ON when taking measurement only, OFF otherwise
3–4 switch	: ON when taking measurement only, OFF otherwise
5–6 switch	: ON when taking measurement only, OFF otherwise
7–8 switch	: ON when taking measurement only, OFF otherwise
ST switch	: ON when taking measurement only, OFF otherwise
MONO switch	: ON when taking measurement only, OFF otherwise
FADER	: Maximum
PFL switch	: ON when taking measurement only (LED lights up), OFF otherwise

• **ST CH INPUT**

GAIN control	: Maximum (-34 dBu)
EQ (HIGH, HI-MID, LO-MID, LOW) control	: CENTER
EQ ON switch	: OFF
AUX1-8 control	: Maximum
AUX1-2, 3-4, 5-6, 7-8 PRE switch	: OFF (POST)
BAL control	: L (Fully turned counterclockwise)
ON switch	: ON when taking measurement only (LED lights up), OFF otherwise
1-2 switch	: ON when taking measurement only, OFF otherwise
3-4 switch	: ON when taking measurement only, OFF otherwise
5-6 switch	: ON when taking measurement only, OFF otherwise
7-8 switch	: ON when taking measurement only, OFF otherwise
ST switch	: ON when taking measurement only, OFF otherwise
MONO switch	: ON when taking measurement only, OFF otherwise
FADER	: Maximum
PFL switch	: ON when taking measurement only (LED lights up), OFF otherwise

• **MASTER**

AUX RETURN

AUX RETURN1-4 control	: Maximum
1-2 switch	: ON when taking measurement only, OFF otherwise
3-4 switch	: ON when taking measurement only, OFF otherwise
5-6 switch	: ON when taking measurement only, OFF otherwise
7-8 switch	: ON when taking measurement only, OFF otherwise
ST switch	: ON when taking measurement only, OFF otherwise
MONO switch	: ON when taking measurement only, OFF otherwise
PFL switch	: ON when taking measurement only (LED lights up), OFF otherwise

MATRIX OUT

GROUP 1-8 control	: Maximum when taking measurement only, Minimum otherwise
ST L, ST R, MONO control	: Maximum when taking measurement only, Minimum otherwise
AFL switch	: ON when taking measurement only (LED lights up), OFF otherwise
MATRIX 1-4 control	: Maximum when taking measurement only, Minimum otherwise

2TR IN

2TR IN control	: Maximum
ST, MONO switch	: ON when taking measurement only, OFF otherwise
PFL switch	: ON when taking measurement only (LED lights up), OFF otherwise

REC OUT

ST, MONO switch	: ON when taking measurement only, OFF otherwise
-----------------	--

MUTE MASTER

1-4 switch	: ON when taking measurement only, OFF otherwise
------------	--

TALK BACK

AUX 1–2 switch	: ON when taking measurement only, OFF otherwise
AUX 3–4 switch	: ON when taking measurement only, OFF otherwise
AUX 5–6 switch	: ON when taking measurement only, OFF otherwise
AUX 7–8 switch	: ON when taking measurement only, OFF otherwise
GROUP 1–8 switch	: ON when taking measurement only, OFF otherwise
STEREO/MONO switch	: ON when taking measurement only, OFF otherwise
MATRIX 1–2 switch	: ON when taking measurement only, OFF otherwise
MATRIX 3–4 switch	: ON when taking measurement only, OFF otherwise
TALKBACK LEVEL control	: Maximum
ON switch	: ON when taking measurement only (LED flashes), OFF otherwise

AUX SEND

AUX SEND 1–8 FADER	: Maximum when taking measurement only, Minimum otherwise
AFL switch	: ON when taking measurement only (LED lights up), OFF otherwise

GROUP OUT

GROUP1–8 TO ST switch	: ON when taking measurement only, OFF otherwise
GROUP1–8 TO MONO switch	: ON when taking measurement only, OFF otherwise
GROUP1–8 TO ST PAN control	: Center
GROUP1–8 FADER	: Maximum when taking measurement only, Minimum otherwise
1-8 ON switch	: ON when taking measurement only, OFF otherwise

STEREO OUT

STEREO L/R FADER	: Maximum when taking measurement only, Minimum otherwise
PFL, AFL switch	: ON when taking measurement only (LED lights up), OFF otherwise
ON switch	: ON when taking measurement only, OFF otherwise

MONO OUT

MONO FADER	: Maximum when taking measurement only, Minimum otherwise
AFL switch	: ON when taking measurement only (LED lights up), OFF otherwise
ON switch	: ON when taking measurement only, OFF otherwise

MONITOR OUT

MONITOR control	: Maximum when taking measurement only, Minimum otherwise
PHONES control	: Maximum when taking measurement only, Minimum otherwise

Use 1 kHz sine wave for input signal unless otherwise specified.

2-2 Gain

The output levels shall be within the range specified in the Table 2-2-1 – 2-2-13.

About the marks (#) and (\$), refer to section 2-3 (Frequency Characteristics) or 2-10 (Distortion).

When PAN or BAL control is set to “Center”, do not turn on two or more switches of [1 – 2], [3 – 4], [5 – 6], [7 – 8], [ST] and [MONO].

Table 2-2-1 CH INPUT A [dBu]

* Do not insert jacks to the INPUT B.

INPUT	INPUT level	GAIN	26 dB (PAD)	PAN	GROUP 1, 3, 5, 7 OUT	GROUP 2, 4, 6, 8 OUT	ST OUT (L, R)	AUX1-8 OUT		MONO OUT	MONITOR OUT (L, R) ^{*2}	CH DIRECT OUT	PHONES OUT (L, R) ^{*2}
								PRE OFF	PRE ON				
A	-80	MAX	OFF	L	+4 ± 2 (#, \$1)	–	+4.5 ± 2 (#, \$1)	+10.5 ± 2 (#, \$2)	+0.5 ± 2	+4.5 ± 2 (#, \$2)	-9.5 ± 2 (#, \$2)	–	-10.5 ± 2 (#, \$2)
				R	–	+4 ± 2 (#, \$2)	+4.5 ± 2	–	–	–	–	–	–
				Center	–	–	+2.0 ± 2 (#, \$2)	–	–	–	–	–	-20 ± 2
	-36	MIN	OFF	L	+4 ± 2 ^{*1} (#)	–	–	–	–	–	–	–	–
	-10	MIN	ON	L	+4 ± 2 ^{*1}	–	–	–	–	–	–	–	–

*1 Measure only the GROUP 1.

*2 Turn on the PFL switch. The PFL indicator LED which is located in between the MONITOR control and LED METER, shall light up when the PFL switch is turned on.

* The difference in the level between input channels should be 2 dB or less.

* The difference in the level between the GROUP 1 – 8 should be 2 dB or less. The same can be said of the AUX 1 – 8, ST L – R, MONITOR L – R and PHONES L – R.

Table 2-2-2 CH INPUT B [dBu]

INPUT	INPUT level	GAIN	PAD	INSERT OUT
B	-80	MAX	OFF	-20 ± 2

Table 2-2-3 ST CH INPUT (Phone jacks) [dBu]

INPUT (Phone)	INPUT level	GAIN	BAL	GROUP 1, 3, 5, 7 OUT	GROUP 2, 4, 6, 8 OUT	ST OUT (L, R)	AUX1-8 OUT		MONO OUT	MONITOR OUT (L, R) ^{*2}
							PRE OFF	PRE ON		
L & R	-54	MAX	L	+3.5 ± 2 (#)	–	–	+7 ± 2 (#, \$3)	-3 ± 2 (#, \$3)	+1 ± 2	-10 ± 2 (#, \$2)
			R	–	+3.5 ± 2 (#)	–	–	–	–	-10 ± 2 (#, \$2)
			Center	–	–	+1.5 ± 2 (#, \$)	–	–	–	–
	-10	MIN	L	+4 ± 2 ^{*1} (#)	–	–	–	–	–	–
	R		–	+4 ± 2 ^{*1} (#)	–	–	–	–	–	

*1 Measure only the GROUP 1 and 2.

*2 Turn on the PFL switch. The PFL indicator LED which is located in between the MONITOR control and LED METER, shall light up when the PFL switch is turned on.

* The difference in the level between input channels should be 2 dB or less.

* The difference in the level between the GROUP 1 – 8 should be 2 dB or less. The same can be said of the AUX 1 – 8 and ST L – R.

Table 2-2-4 ST CH INPUT (RCA PIN jacks) [dBu]

INPUT (RCA PIN)	INPUT level	GAIN	ST OUT (L, R)
L	-54	MAX	+1.5 ± 2
R			+1.5 ± 2

* Set the BAL control to center.

* Check that the difference in the level between input channels should be 2 dB or less.

Table 2-2-8 CH1 INPUT A [dBu]

INPUT	INPUT level	GAIN	PAN	ST ASSIGN switch	MONO ASSIGN switch	REC OUT L	REC OUT R
CH1 INSERT IN	-10	MIN	L	ON *1	-	-7.8 ± 2	-
			R			-	-7.8 ± 2
			L	-	ON *2	-7.8 ± 2	-
			R			-	-7.8 ± 2

*1 Turn on the REC OUT ST switch.
 *2 Turn on the REC OUT MONO switch.

Table 2-2-9 CH1 INPUT A [dBu]

INPUT	INPUT level	GAIN	PAN	1-2, 3-4, 5-6, 7-8 ASSIGN switch	GROUP TO ST switch	GROUP TO MONO switch	GROUP TO ST PAN 1-8	ST OUT L	ST OUT R	MONO OUT
CH1	-80	MAX	Center	ON *1	ON *1	OFF	L	+12 ± 2 (\$)	-	-
					OFF	ON	R	-	+12 ± 2	-
					OFF	ON	-	-	-	+12 ± 2

*1 Turn ON one at a time.

Table 2-2-10 CH1 INPUT A [dBu]

INPUT	INPUT level	GAIN	AUX PRE	1-2, 3-4, 5-6, 7-8 ST ASSIGN switch	PAN	GROUP 1, 3, 5, 7 AFL *3, *4	GROUP 2, 4, 6, 8 AFL *3	AUX 1-8 AFL *3	ST AFL *3	MONO AFL *3	ST PFL *2	PHONES OUT L	PHONES OUT R
CH1	-90	MAX	OFF	ON *1	L	ON *1	OFF	OFF	OFF	OFF	OFF	-1.0 ± 2	-1.0 ± 2
						OFF	OFF	ON *1	OFF	OFF	OFF	+5.0 ± 2	+5.0 ± 2
						OFF	OFF	OFF	ON	OFF	OFF	-1.0 ± 2 (#)	-
						OFF	OFF	OFF	OFF	ON	OFF	-1.0 ± 2 (\$)	-1.0 ± 2 (\$)
						OFF	OFF	OFF	OFF	OFF	ON	-11 ± 2	-
						OFF	ON *1	OFF	OFF	OFF	OFF	-1.0 ± 2	-1.0 ± 2
						OFF	OFF	OFF	ON	OFF	OFF	-	-1.0 ± 2 (#)
						OFF	OFF	OFF	OFF	OFF	ON	-	-11 ± 2

*1 Turn ON one at a time.
 *2 The PFL indicator LED which is located in between the MONITOR control and LED METER, shall light up when the PFL switch is turned on.
 *3 The AFL indicator LED which is located in between the MONITOR control and LED METER, shall light up when the AFL switch is turned on.
 *4 Check the following for the GROUP 1 only.
 Check that the AFL switch signal is muted, the AFL indicator LED is turned off and the PFL indicator LED lights up if the PFL switch of the RETURN 1, as well as the AFL switch, is turned on. (The PFL indicator LED and AFL indicator LED do not light up simultaneously.)
 Check that the difference in the output level between ON and OFF of the RETURN 1 PFL switch is 60 dB or more.

Table 2-2-11 RETURN1-4, 2TR IN, TB [dBu]

INPUT	INPUT level	GROUP 1, 3, 5, 7 OUT	GROUP 2, 4, 6, 8 OUT	AUX 1-8 OUT	ST OUT L	ST OUT R	MONO OUT	MONITOR OUT L *3	MONITOR OUT R *3	MATRIX 1-4 OUT
RETURN L (MONO) *1	-12	+4.0 ± 2	-	+7.0 ± 2	+4.0 ± 2 (#, \$)	+4.0 ± 2	+7.0 ± 2	-6.0 ± 2	-6.0 ± 2	-
RETURN R *2		-	+4.0 ± 2	+1.0 ± 2	No signal	+4.0 ± 2 (#, \$)	+1.0 ± 2	No signal	-6.0 ± 2	-
2 TR IN L (MINI jack, RCA PIN)	-23.8	-	-	-	+4.0 ± 2 *4 (#, \$)	-	+1.0 ± 2	-6.0 ± 2	-	-
2 TR IN R (MINI jack, RCA PIN)		-	-	-	-	+4.0 ± 2 *4 (#, \$)	+1.0 ± 2	-	-6.0 ± 2	-
TB MIC *5	-66	+4.0 ± 2	+4.0 ± 2	+4.0 ± 2	+4.0 ± 2 (##, \$)	+4.0 ± 2	+4.0 ± 2	-	-	0 ± 2

*1 Do not insert a jack to R.
 *2 Check that no signal is input to L (MONO).
 *3 Turn on the PFL switch. Check that the PFL indicator LED which is located in between the MONITOR control and LED METER, lights up when the PFL switch is turned on.
 *4 Set the level control of the 2TR IN to MAX.
 *5 The LED flashes when the TB ON switch is turned on. Turn ON the AUX 1-2, 3-4, 5-6, 7-8, GROUP 1-8, ST, MATRIX 1-2, 3-4 and ASSIGN switch.
 * Check that the difference in the level between the AUX 1-4 when signals are input from the RETURN 1-4 is 2 dB or less. The same can be said of the ST L and R when signals are input from the RETURN 1-4.

Table 2-2-12 ST, GROUP1-8, MONO, AUX INSERT INPUT [dBu]

INPUT	INPUT level	ST OUT L	ST OUT R	GROUP1-4 OUT	MONO OUT	AUX OUT1-8
ST INSERT L INPUT	-10	+4 ± 2	-	-	-	-
ST INSERT R INPUT		-	+4 ± 2	-	-	-
GROUP1-8 INSERT INPUT		-	-	+4 ± 2	-	-
MONO INSERT INPUT		-	-	-	+4 ± 2	-
AUX1-8 INSERT INPUT		-	-	-	-	+4 ± 2

* Check that the difference in the level between L and R of the ST is 2 dB or less.

In the state described in section 2-1, input signals to the MONO INPUT CH1 and after turning on respective ASSIGN switches or setting SEND control to the MAX, set only one of the assigned MATRIX MIX controls. Check that the output level is as shown in the Table 2-2-13.

Table 2-2-13 MATRIX OUT1-4 [dBu]

INPUT	INPUT level	GAIN	PAD	MATRIX OUT1-4 (#, \$)	MONITOR OUT L, R
CH1 A	-80	MAX	OFF	+10.0 ± 2 (#, \$)	+16.0 ± 2

- * Turn on the MATRIX AFL switch.
- * The difference in the level between input channel should be 2 dB or less.
- * No signal shall be output when the MATRIX level control is set to minimum.
- * To check the ST or Group, take measurements with the PAN fully turned to L or R.

2-3 Frequency Characteristics

In the signal routes of the Table 2-2-1 to 2-2-12 indicated with (#), check the 20 Hz and 20 kHz frequency response of each output is within the range of +1/-2.5 dB compared with the 1 kHz (0 dB). In case of the signal routes indicated with (##) [TB MIC IN], apply 163 Hz instead of 20 Hz and check that the frequency response is within the range of -3± 2 dB.

- * The 20 Hz level when the GAIN control is at MAX shall be within the range of +1.0/-4.5 dB.
- * The 20 Hz level at PHONES shall be within the range of +0/-5.5 dB when the GAIN control is at MAX (+0/-3.5 dB when the GAIN control is at MIN).
- * In the signal routes of the Table 2-2-1 to 2-2-2, check every OUT when the signal is fed to the CH 1 and check only the ST L OUT when the signal is fed to the CH 2 or other channels.

2-4 $\sqrt{80}$ (HPF)

In the state of the Table 2-2-1, feed 80 Hz input signal with input level of -36 dBu and the GAIN set to MIN and check that the STEREO L OUT output level when the $\sqrt{80}$ switch is set to ON is within the range of -3 ± 2 dB compared to the level obtained when the switch is set to OFF.

2-5 COMP

2-5-1 Gain and COMP LED Off check

In the state described in section 2-2, check that the output level of each INSERT OUT when the COMP control of the CH INPUT is set at MAX is within the range shown in the Table 2-5-1.

Table 2-5-1 [dBu]

CH INPUT	INPUT level	COMP control	INSERT OUT
MIC	-65	MAX	+3.0 ± 2

2-5-2 Ratio and COMP LED lighting check

Check that the output level at each INSERT OUT is within the range shown in the Table 2-5-2 compared with the output level in the Table 2-5-1 when the input level is raised by 10 dB.
Check also that the COMP LED is lit then.

Table 2-5-2 [dBu]

CH INPUT	INPUT level [dB]	INSERT OUT
MIC	-55	+3.5 ± 1

2-5-3 Frequency Characteristics

In the state of the Table 2-5-2, check that the output level at the INSERT OUT is within the range of ±3 dB compared with the output at 1 kHz when the signal frequency is set to 20 Hz and 20 kHz.

2-5-4 Distortion

In the state of the Table 2-5-2, check that the distortion when the signal frequency is set to 20 Hz, 1 kHz, and 20 kHz is equal to or less than the values in the Table 2-5-4.

Table 2-5-4 [%]

INPUT Frequency	Distortion
20 Hz	5.0
1 kHz	1.0
20 kHz	1.5

2-5-5 Attack/Release Time

In the state of the Table 2-5-2, the output attack time at the INSERT OUT [restoration time until 90% when the input is changed from -65 dBu to -55 dBu] and the release time [restoration time until 90% when the input is changed from -55 dBu to -65 dBu] shall be within the range shown in the Table 2-5-5.

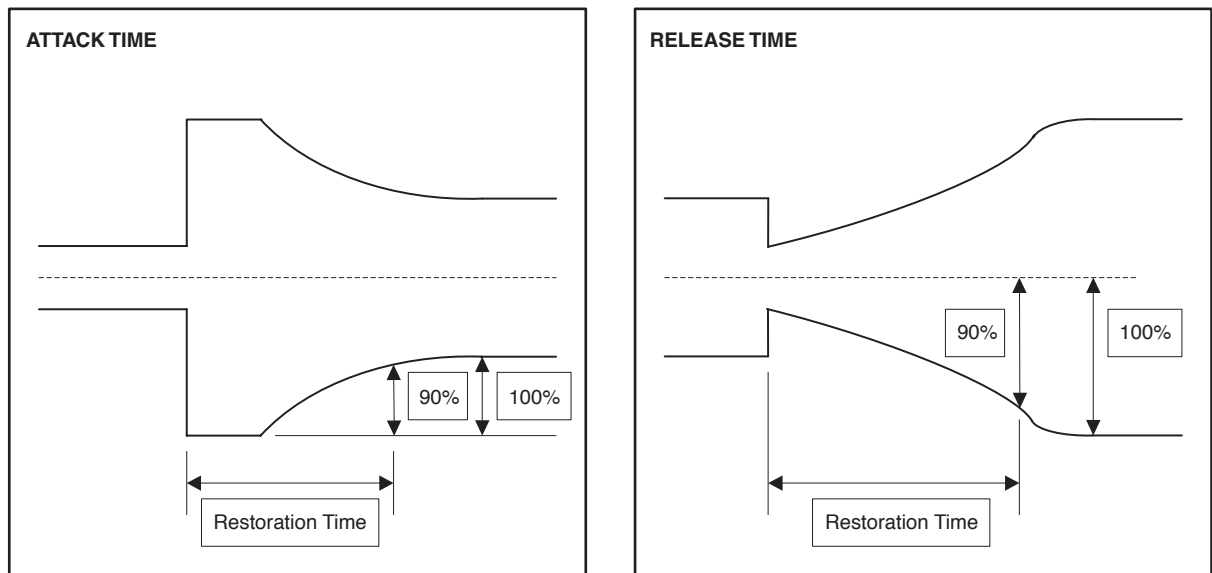


Table 2-5-5 [ms]

	ST OUT L
ATTACK TIME	15 – 35
RELEASE TIME	150 – 420

2-5-6 COMP LED Off check

In the state of 2-5-1, check that the COMP LED is not lit when the input signal is changed to -68 dBu.

2-6 Channel Equalizer Characteristics

In the state described in section 2-1, check that the output level obtained at the GROUP 1 OUT in the case of the CH INPUT and ST CH INPUT L and at the GROUP 2 OUT in the case of the ST CH INPUT R in each frequency when LOW, LO-MID, HI-MID and HIGH of INPUT are moved respectively with the EQ switch turned on is within the range shown in the Table 2-6-1 to 2-6-2 compared with the output level when the EQ controls are at the center click position. If the output level is without the range when the specified frequency is applied, change the frequency within the range of $\pm 20\%$ of the specified frequency and check that the variation width is within the range shown in the Table 2-6-1 to 2-6-2.

Table 2-6-1 IM8-40: CH1-40, IM8-32: CH1-32, IM8-24: CH1-24 [dBu]

EQ	VR	f VR	Applied frequency	Variation width
HIGH	MAX	—	10 kHz	+12 \pm 2
	MIN	—		-12 \pm 2
HI-MID	MAX	MAX	8 kHz	+15 \pm 2.5
	MIN			-15 \pm 2.5
	MAX	MIN	400 Hz	+15 \pm 2.5
	MIN			-15 \pm 2.5
LO-MID	MAX	MAX	1.6 kHz	+15 \pm 2.5
	MIN			-15 \pm 2.5
	MAX	MIN	80 Hz	+15 \pm 2.5
	MIN			-15 \pm 2.5
LOW	MAX	—	100 Hz	+12 \pm 2
	MIN	—		-12 \pm 2

Table 2-6-2 ST CH1-4 [dB]

EQ	VR	Applied frequency	Variation width
HIGH	MAX	10 kHz	+12 \pm 2
	MIN		-12 \pm 2
HI-MID	MAX	3 kHz	+15 \pm 2.5
	MIN		-15 \pm 2.5
LO-MID	MAX	800 Hz	+15 \pm 2.5
	MIN		-15 \pm 2.5
LOW	MAX	100 Hz	+12 \pm 2
	MIN		-12 \pm 2

2-7 Crosstalk

Set the GROUP 1 – 8, ST and MONO master fader to MAX. At the CH 1, set the fader to MAX and turn on the ON switch.

Turn on the 1 – 2 ASSIGN switch of the CH 1, fully turn the PAN control counterclockwise (L/ODD) and check that the level of the leakage to the GROUP 2 OUT is -50 dBu or less when the signal of +20 dBu is outputted to the GROUP 1 OUT. Then, check that the level of the leakage to the GROUP 1 OUT is -50 dBu or less when the signal of +20 dBu is outputted to the GROUP 2 OUT with the PAN control turned fully clockwise (R/EVEN). The same can be said of between the GROUP 3 – 4, 5 – 6, 7 – 8 and ST L – R.

2-8 PEAK, 0 dB and -20 dB LED light-up level

In the state described in section 2-1, PEAK, 0 dB and -20 dB LED of each channel shall light up when a signal within the range shown in the Table 2-8-1 is fed to the input.

Table 2-8-1 [dBu]

INPUT	-20 dB LED (Green)	0 dB LED (Yellow)	PEAK LED (Red)
CH1-40/32/24	-80 ± 3	-60 ± 2	-43 ± 2
ST CH1-4 ^{*1}	-54 ± 3	-34 ± 2	-17 ± 2

*1 Insert jacks to both the L and R and input a signal one side at a time.

Check that the PEAK, 0 dB and -20 dB LEDs of the GROUP OUT 1 – 8, AUX SEND 1 – 8 and MONO OUT light up when a signal within the range shown in the Table 2-8-2 is fed to the input.

Table 2-8-2 [dBu]

-20 dB LED (Green)	0 dB LED (Yellow)	PEAK LED (Red)
-16 ± 3	+4 ± 2	+17 ± 2

2-9 Meter LED lighting check

Set the MONITOR control to the Nominal Position.

Check that the PEAK LED of the METER lights up when the ST, MONITOR OUT level reaches +17.5 ± 2 dBu. Check that the “0” LED of the METER lights up when the ST, MONITOR OUT level reaches +4.0 ± 2 dBu.

Check that the “-30” LED of the METER lights up when the ST, MONITOR OUT level reaches -25.0 ± 3 dBu.

Operate the ST MASTER fader and check that LEDs light up in order from “-30” to “PEAK”. (Check the MONITOR OUT by operating the ST MASTER fader with the ST AFL switch turned ON.)

2-10 Distortion

In the signal routes of the Table 2-2-1 to 2-2-12 indicated with (\$), (\$1), (\$2) and (\$3), set the VR and Fader of INPUT and MASTER to the Nominal Position and set the GAIN to the position specified in the Table. Then, feed 20 Hz and 1 kHz signal respectively and check that the distortion is 0.1 % or less when the output signal at each OUTPUT is +14 dBu (except PHONES OUT). Then, feed 20 kHz signal and check that the distortion is 0.15 % or less when the output signal at each OUTPUT is +14 dBu (except PHONES OUT).

In case of the INPUT other than the MONO or ST CH INPUT, feed 20 Hz, 1 kHz and 20 kHz signal respectively and check that the distortion is 0.1 % or less when the output signal at each OUTPUT is +14 dBu.

At the PHONES OUT (L/R), feed 20 Hz, 1 kHz and 20 kHz signal respectively with the PHONES control set to the 12 o'clock position and check that the distortion is 0.2 % or less when the output signal at each OUTPUT is +3 dBu.

* (\$1): Check the GROUP 1 and GROUP 3 when the signal is fed to CH 1 and check only the GROUP 1 when the signal is fed to CH 2 or other channels.

* (\$2): Check CH 1 only.

* (\$3): Check AUX 1 only.

* Only when measuring the AUX RETURN or 2TR IN, set the AUX RETURN control, 2TR IN control and STEREO L/R control to MAX.

2-11 Maximum Output (@1 kHz)

In the state described in section 2-1, the distortion at 1 kHz should be 1 % or less when the output level is +24 dBu at the ST L/R OUT, MONO OUT and AUX 1 – 8 OUT, and +20 dBu at the GROUP 1 – 8 OUT, MATRIX OUT and MONITOR OUT. The distortion at 1 kHz shall be 1 % or less when the output level is +7.5 dBu at the PHONES (L/R). In measuring the ST L/R OUT or GROUP 1 – 8 OUT, fully turn the PAN or BAL control to L or R.

2-12 Equivalent Input Noise

In the state described in section 2-1, shunt the CH INPUT MIC terminal with 150 Ω, turn the ST ASSIGN and CH ON switches on and check that the noise level at the ST OUT is -128 dBu or less.

2-13 Residual Noise

In the state described in section 2-1, set all the Fader and Level controls of each input CH to MIN and set all the ASSIGN switches and CH ON switches to OFF. Then, the noise level when the Fader or Level controls of the MASTER is set to MAX or MIN shall be less than the level specified in the Table 2-13-1.

Table 2-13-1 [dBu]

FADER/control	ST L/R OUT	MONO OUT	GROUP1-8 OUT	AUX1-8 OUT	MONITOR OUT	MATRIX OUT	PHONES OUT
MAX	-72	-71	-73	-67	-72	-87	-77
MIN	-98	-98	-100	-98	-99	-97	-100

* The switches for the STEREO, MONO and GROUP output shall be turned ON.

2-14 Phase

In the state described in section 2-1, the phase of the signal at each INPUT and the phase of the signal at each OUTPUT shall be the same.

Check that the phase is reversed when the ϕ switch of the CH INPUT is turned on. Check also that the difference in level between ON/OFF of the ϕ switch is within ± 1 dB.

2-15 LAMP

Connect a 30 Ω load resistor (5 W or more) between the pin 3 and 4 of the LAMP (12 V) connector. The voltage between the pin 3 and 4 shall be 12.0 \pm 1 VDC.

2-16 USB

2-16-1 Recording

With the settings as in the Table 2-16-1, record onto a personal computer via USB.

Table 2-16-1 [dBu]

	INPUT		INPUT level	CH1 PAN control
L	PHONE (INSERT)	1	-20.0	L (Turn fully counterclockwise)
R				R (Turn fully clockwise)

* Turn on the REC OUT ST ASSIGN switch.

2-16-2 Gain

Check that output level is within the level in the Table 2-16-2 when the recorded file is played back via USB.

Table 2-16-2 [dBu]

	MONITOR OUT L	MONITOR OUT R
L	0 \pm 3	-
R	-	0 \pm 3

* Set the Windows volume control to MAX.
 * Turn on the PFL switch.

2-17 MUTE

In the state described in section 2-1, input signals to the MONO INPUT with respective ASSIGN switches turned on so that the output level at the ST OUT is +20 dBu and check that the MUTE MASTER 1 LED lights up when the MUTE 1 is turned on. Check also that the CH ON LED stops lighting and that the noise level is -60 dBu or less when the MUTE MASTER 1 is turned on.

* Set the PAN/BAL to center.

Check the MUTE 2, MUTE 3 and MUTE 4 as well.

Next, check the ST INPUT (L, R) in the same way as the MONO INPUT.

2-18 PHANTOM power check

Connect a load resistor of 10 k Ω between the pin 1 and 2 of the INPUT A or MIC input connectors and shunt between the pin 2 and 3. Turn on the PHANTOM switch (LED shall light up) and the voltage between the pin 1 and 2 should be between DC +33 V – +37 V.

3. Sound/Function Check

Activate each controller and inspect respective parts.

3-1 Volume/Fader Check

Operate all the VR and Fader controls and check that they are not mechanically caught or rubbed. Check that the sound changes as the controls are operated. Check also that there is no abnormal noise (sliding noise, etc.) or discontinuity of sound.

3-2 Push Switch Check

Activate and then deactivate all the switches and check that they are not mechanically caught or rubbed. Operate all the switches except the POWER and PHANTOM switches and check that sound changes. Check also that there is no abnormal noise (popping noise, etc.) in the output sound.

3-3 LED Meter Check

Input music signals and check that LED Meter works properly. Check that brightness and operation of all the LEDs are normal.

4. Factory setting

4-1 Setting at the time of factory shipping

- EQ GAIN control : CENTER
- PAN, BAL control : CENTER
- Level controls other than the above ones : MIN
- All Faders : MIN
- All Switches : OFF

■ 検査

1. 測定条件

1-1 環境

温度 (5°C ~ 40°C)
湿度 (30% ~ 90%)

2. 検査

2-1 準備

本体と電源 (PW8) を付属のケーブルで接続します。電源電圧は± 10%以内とします。
各出力端子の負荷抵抗は下記の通りです。

PHONES (L, R)	: 40 Ω	Unbalanced
ST OUT	: 600 Ω	Balanced
MONO OUT	: 600 Ω	Balanced
AUX1-8 OUT	: 600 Ω	Balanced
GROUP1-8 OUT	: 10k Ω	Unbalanced
MATRIX (1-4) OUT	: 10k Ω	Unbalanced
Others	: 10k Ω	Unbalanced

特に指定の無い場合、ツマミ類は以下のように設定してください。

・ CH INPUT

+48V(PHANTOM) switch	: OFF
φ (PHASE) switch	: OFF (NORMAL)
GAIN control	: 最大 (-60 dBu)
26 dB (PAD) switch	: OFF (0 dB)
80 (HPF) switch	: OFF
COMP control	: 最小 (OFF)
EQ (HIGH, MID, LOW) control	: CENTER
EQ HI-MID frequency control	: 最小
EQ LO-MID frequency control	: 最小
EQ ON switch	: OFF
AUX 1-8 control	: 最大
AUX 1-2, 3-4, 5-6, 7-8 PRE switch	: OFF (POST)
PAN control	: L (左廻し切り)
ON switch	: 測定時のみ ON (LED 点灯)、他は OFF
1-2 switch	: 測定時のみ ON、他は OFF
3-4 switch	: 測定時のみ ON、他は OFF
5-6 switch	: 測定時のみ ON、他は OFF
7-8 switch	: 測定時のみ ON、他は OFF
ST switch	: 測定時のみ ON、他は OFF
MONO switch	: 測定時のみ ON、他は OFF
FADER	: 最大
PFL switch	: 測定時のみ ON (LED 点灯)、他は OFF

・ST CH INPUT

GAIN control	: 最大 (-34 dBu)
EQ (HIGH, HI-MID, LO-MID, LOW) control	: CENTER
EQ ON switch	: OFF
AUX1-8 control	: 最大
AUX1-2, 3-4, 5-6, 7-8 PRE switch	: OFF (POST)
BAL control	: L (左廻し切り)
ON switch	: 測定時のみ ON (LED 点灯)、他は OFF
1-2 switch	: 測定時のみ ON、他は OFF
3-4 switch	: 測定時のみ ON、他は OFF
5-6 switch	: 測定時のみ ON、他は OFF
7-8 switch	: 測定時のみ ON、他は OFF
ST switch	: 測定時のみ ON、他は OFF
MONO switch	: 測定時のみ ON、他は OFF
FADER	: 最大
PFL switch	: 測定時のみ ON (LED 点灯)、他は OFF

・MASTER

AUX RETURN

AUX RETURN1-4 control	: 最大
1-2 switch	: 測定時のみ ON、他は OFF
3-4 switch	: 測定時のみ ON、他は OFF
5-6 switch	: 測定時のみ ON、他は OFF
7-8 switch	: 測定時のみ ON、他は OFF
ST switch	: 測定時のみ ON、他は OFF
MONO switch	: 測定時のみ ON、他は OFF
PFL switch	: 測定時のみ ON (LED 点灯)、他は OFF

MATRIX OUT

GROUP 1-8 control	: 測定時のみ最大、他は最小
ST L, ST R, MONO control	: 測定時のみ最大、他は最小
AFL switch	: 測定時のみ ON (LED 点灯)、他は OFF
MATRIX 1-4 control	: 測定時のみ最大、他は最小

2TR IN

2TR IN control	: 最大
ST, MONO switch	: 測定時のみ ON、他は OFF
PFL switch	: 測定時のみ ON (LED 点灯)、他は OFF

REC OUT

ST, MONO switch	: 測定時のみ ON、他は OFF
-----------------	-------------------

MUTE MASTER

1-4 switch	: 測定時のみ ON、他は OFF
------------	-------------------

TALK BACK

AUX 1-2 switch	:測定時のみ ON、他は OFF
AUX 3-4 switch	:測定時のみ ON、他は OFF
AUX 5-6 switch	:測定時のみ ON、他は OFF
AUX 7-8 switch	:測定時のみ ON、他は OFF
GROUP 1-8 switch	:測定時のみ ON、他は OFF
STEREO/MONO switch	:測定時のみ ON、他は OFF
MATRIX 1-2 switch	:測定時のみ ON、他は OFF
MATRIX 3-4 switch	:測定時のみ ON、他は OFF
TALKBACK LEVEL control	:最大
ON switch	:測定時のみ ON (LED 点滅)、他は OFF

AUX SEND

AUX SEND 1-8 FADER	:測定時のみ最大、他は最小
AFL switch	:測定時のみ ON (LED 点灯)、他は OFF

GROUP OUT

GROUP1-8 TO ST switch	:測定時のみ ON、他は OFF
GROUP1-8 TO MONO switch	:測定時のみ ON、他は OFF
GROUP1-8 TO ST PAN control	:Center
GROUP1-8 FADER	:測定時のみ最大、他は最小
1-8 ON switch	:測定時のみ ON、他は OFF

STEREO OUT

STEREO L/R FADER	:測定時のみ最大、他は最小
PFL, AFL switch	:測定時のみ ON (LED 点灯)、他は OFF
ON switch	:測定時のみ ON、他は OFF

MONO OUT

MONO FADER	:測定時のみ最大、他は最小
AFL switch	:測定時のみ ON (LED 点灯)、他は OFF
ON switch	:測定時のみ ON、他は OFF

MONITOR OUT

MONITOR control	:測定時のみ最大、他は最小
PHONES control	:測定時のみ最大、他は最小

特に指定の無い場合、入力信号は 1 kHz の正弦波とします。

2-2 利得

2-1の状態でご出力端子には、[表 2-2-1 ~ 2-2-13] の範囲内の出力レベルが得られることを確認します。

(#) や (\$) の印については「2-3 (周波数特性)」 「2-10 (歪)」を参照してください。

PAN または BAL を「Center」で測定する場合、「1-2」、「3-4」、「5-6」、「7-8」、「ST」、「MONO」スイッチを同時に2つ以上 ON にしないでください。

表 2-2-1 CH INPUT A [dBu]

* INPUT B には何も接続しないでください。

INPUT	INPUT level	GAIN	26 dB (PAD)	PAN	GROUP 1, 3, 5, 7 OUT	GROUP 2, 4, 6, 8 OUT	ST OUT (L, R)	AUX1-8 OUT		MONO OUT	MONITOR OUT (L, R) ^{*2}	CH DIRECT OUT	PHONES OUT (L, R) ^{*2}
								PRE OFF	PRE ON				
A	-80	最大	OFF	L	+4 ± 2 (#, \$1)	-	+4.5 ± 2 (#, \$1)	+10.5 ± 2 (#, \$2)	+0.5 ± 2	+4.5 ± 2 (#, \$2)	-9.5 ± 2 (#, \$2)	-	-10.5 ± 2 (#, \$2)
				R	-	+4 ± 2 (#, \$2)	+4.5 ± 2	-	-	-	-	-	-
				Center	-	-	+2.0 ± 2 (#, \$2)	-	-	-	-	-20 ± 2	-
	-36	最小	OFF	L	+4 ± 2 ^{*1} (#)	-	-	-	-	-	-	-	-
	-10	最小	ON	L	+4 ± 2 ^{*1}	-	-	-	-	-	-	-	-

*1 GROUP1 のみ測定します。

*2 PFL スイッチを ON にします。PFL スイッチを ON したときは、MONITOR コントロールと LED METER の間にある PFL インジケータ LED が点灯することを確認してください。

* 入力チャンネル間のレベル差は 2 dB 以下であることを確認します。

* GROUP1 から 8 のレベル差は 2 dB 以下であることを確認します。AUX1 から 8、ST の L と R、MONITOR の L と R、PHONES の L と R も同様です。

表 2-2-2 CH INPUT B [dBu]

INPUT	INPUT level	GAIN	PAD	INSERT OUT
B	-80	最大	OFF	-20 ± 2

表 2-2-3 ST CH INPUT (Phone jacks) [dBu]

INPUT (Phone)	INPUT level	GAIN	BAL	GROUP 1, 3, 5, 7 OUT	GROUP 2, 4, 6, 8 OUT	ST OUT (L, R)	AUX1-8 OUT		MONO OUT	MONITOR OUT (L, R) ^{*2}
							PRE OFF	PRE ON		
L & R	-54	最大	L	+3.5 ± 2 (#)	-	-	+7 ± 2 (#, \$3)	-3 ± 2 (#, \$3)	+1 ± 2	-10 ± 2 (#, \$2)
			R	-	+3.5 ± 2 (#)	-	-	-	-	-10 ± 2 (#, \$2)
			Center	-	-	+1.5 ± 2 (#, \$)	-	-	-	-
	-10	最小	L	+4 ± 2 ^{*1} (#)	-	-	-	-	-	-
			R	-	+4 ± 2 ^{*1} (#)	-	-	-	-	-

*1 GROUP1 と 2 のみ測定します。

*2 PFL スイッチを ON にします。PFL スイッチを ON したときは、MONITOR コントロールと LED METER の間にある PFL インジケータ LED が点灯することを確認してください。

* 入力チャンネル間のレベル差は 2 dB 以下であることを確認します。

* GROUP1 から 8 のレベル差は 2 dB 以下であることを確認します。AUX1 から 8、ST の L と R も同様です。

表 2-2-4 ST CH INPUT (RCA PIN jacks) [dBu]

INPUT (RCA PIN)	INPUT level	GAIN	ST OUT (L, R)
L	-54	最大	+1.5 ± 2
R			+1.5 ± 2

* BAL はセンターにセッティングしてください。

* 入力チャンネル間のレベル差は 2 dB 以下であることを確認してください。

表 2-2-8 CH1 INPUT A [dBu]

INPUT	INPUT level	GAIN	PAN	ST ASSIGN switch	MONO ASSIGN switch	REC OUT L	REC OUT R
CH1 INSERT IN	-10	最小	L	ON *1	-	-7.8 ± 2	-
			R			-	-7.8 ± 2
			L	-	ON *2	-7.8 ± 2	-
			R			-	-7.8 ± 2

*1 REC OUT ST スイッチを ON にします。

*2 REC OUT MONO スイッチを ON にします。

表 2-2-9 CH1 INPUT A [dBu]

INPUT	INPUT level	GAIN	PAN	1-2, 3-4, 5-6, 7-8 ASSIGN switch	GROUP TO ST switch	GROUP TO MONO switch	GROUP TO ST PAN 1-8	ST OUT L	ST OUT R	MONO OUT
CH1	-80	最大	Center	ON *1	ON *1	OFF	L	+12 ± 2 (\$)	-	-
					OFF	ON	R	-	+12 ± 2	-
					OFF	ON	-	-	-	+12 ± 2

*1 一つずつ ON にします。

表 2-2-10 CH1 INPUT A [dBu]

INPUT	INPUT level	GAIN	AUX PRE	1-2, 3-4, 5-6, 7-8 ST ASSIGN switch	PAN	GROUP 1, 3, 5, 7 AFL *3, *4	GROUP 2, 4, 6, 8 AFL *3	AUX 1-8 AFL *3	ST AFL *3	MONO AFL *3	ST PFL *2	PHONES OUT L	PHONES OUT R	
CH1	-90	最大	OFF	ON *1	L	ON *1	OFF	OFF	OFF	OFF	OFF	-1.0 ± 2	-1.0 ± 2	
						OFF	OFF	ON *1	OFF	OFF	OFF	+5.0 ± 2	+5.0 ± 2	
						OFF	OFF	OFF	ON	OFF	OFF	-1.0 ± 2 (#)	-	
						OFF	OFF	OFF	OFF	ON	OFF	-1.0 ± 2 (\$)	-1.0 ± 2 (\$)	
						OFF	OFF	OFF	OFF	ON	ON	-11 ± 2	-	
						R	OFF	ON *1	OFF	OFF	OFF	OFF	-1.0 ± 2	-1.0 ± 2
							OFF	OFF	OFF	ON	OFF	OFF	-	-1.0 ± 2 (#)
							OFF	OFF	OFF	OFF	ON	ON	-	-11 ± 2

*1 一つずつ ON にします。

*2 PFL スイッチを ON したときは、MONITOR コントロールと LED METER の間にある PFL インジケータ LED が点灯することを確認してください。

*3 AFL スイッチを ON したときは、MONITOR コントロールと LED METER の間にある AFL インジケータ LED が点灯することを確認してください。

*4 GROUP1 のみ以下の確認を行ってください。

AFL スイッチ ON に加えて RETURN1 の PFL スイッチを ON したときは、AFL スイッチの信号がミュートされて AFL インジケータ LED が消灯し、PFL インジケータ LED が点灯することを確認してください。(PFL インジケータ LED と AFL インジケータ LED は同時に点灯しません。)
このときの RETURN1 の PFL スイッチ ON と OFF の出力レベル差は 60 dB 以上であることを確認してください。

表 2-2-11 RETURN1-4, 2TR IN, TB [dBu]

INPUT	INPUT level	GROUP 1, 3, 5, 7 OUT	GROUP 2, 4, 6, 8 OUT	AUX 1-8 OUT	ST OUT L	ST OUT R	MONO OUT	MONITOR OUT L *3	MONITOR OUT R *3	MATRIX 1-4 OUT
RETURN L (MONO) *1	-12	+4.0 ± 2	-	+7.0 ± 2	+4.0 ± 2 (#, \$)	+4.0 ± 2	+7.0 ± 2	-6.0 ± 2	-6.0 ± 2	-
RETURN R *2		-	+4.0 ± 2	+1.0 ± 2	No signal	+4.0 ± 2 (#, \$)	+1.0 ± 2	No signal	-6.0 ± 2	-
2 TR IN L (MINI jack, RCA PIN)	-23.8	-	-	-	+4.0 ± 2 *4 (#, \$)	-	+1.0 ± 2	-6.0 ± 2	-	-
2 TR IN R (MINI jack, RCA PIN)		-	-	-	-	+4.0 ± 2 *4 (#, \$)	+1.0 ± 2	-	-6.0 ± 2	-
TB MIC *5	-66	+4.0 ± 2	+4.0 ± 2	+4.0 ± 2	+4.0 ± 2 (##, \$)	+4.0 ± 2	+4.0 ± 2	-	-	0 ± 2

*1 R にジャックを挿さないでください。

*2 L (MONO) の入力は無信号であることを確認してください。

*3 PFL スイッチを ON にします。PFL スイッチを ON したときは、MONITOR コントロールと LED METER の間にある PFL インジケータ LED が点灯することを確認してください。

*4 2TR IN のレベルコントロールを最大にします。

*5 TB ON スイッチを ON で LED が点滅します。AUX1-2, 3-4, 5-6, 7-8、GROUP1-8、ST、MATRIX1-2, 3-4 ASSIGN スイッチを ON にします。

* RETURN1-4 から入力した時の AUX1 から 4 のレベル差は 2 dB 以下であることを確認してください。RETURN1-4 から入力した時の ST の L と R も同様です。

表 2-2-12 ST, GROUP1-8, MONO, AUX INSERT INPUT [dBu]

INPUT	INPUT level	ST OUT L	ST OUT R	GROUP1-4 OUT	MONO OUT	AUX OUT1-8
ST INSERT L INPUT	-10	+4 ± 2	-	-	-	-
ST INSERT R INPUT		-	+4 ± 2	-	-	-
GROUP1-8 INSERT INPUT		-	-	+4 ± 2	-	-
MONO INSERT INPUT		-	-	-	+4 ± 2	-
AUX1-8 INSERT INPUT		-	-	-	-	+4 ± 2

* ST の L と R 間のレベル差は 2 dB 以下であることを確認してください。

2-1 の状態で MONO INPUT CH1 に入力し、ASSIGN スイッチをそれぞれ ON、またはセンドコントロールを最大にした後、ASSIGN された各々の MATRIX MIX コントロールを一個だけ最大にします。その時、[表 2-2-13] の出力レベルが得られることを確認します。

表 2-2-13 MATRIX OUT1-4 [dBu]

INPUT	INPUT level	GAIN	PAD	MATRIX OUT1-4	MONITOR OUT L, R
CH1 A	-80	最大	OFF	+10.0 ± 2 (#, \$)	+16.0 ± 2

* MATRIX AFL スイッチを ON にします。

* 入力チャンネル間のレベル差は 2 dB 以下であることを確認してください。

* MATRIX レベルコントロールを絞った時、出力が出なくなることを確認してください。

* ST、Group 確認の時は、PAN を L、または R に回し切って測定してください。

2-3 周波数特性

[表 2-2-1] から [表 2-2-12] の (#) のついた系統において、印加信号周波数を 20 Hz、20 kHz とした時、各出力端子の出力レベルは 1 kHz を基準として、+1.0/-2.5 dB の範囲内であることを確認します。(##) の系統 [TB MIC 入力] は、20 Hz の代わりに 163 Hz を印加し、-3 ± 2 dB の範囲内であることを確認します。

* GAIN コントロールが最大の時は、20 Hz のみ +1.0/-4.5 dB とします。

* PHONES で 20 Hz の時は、GAIN コントロールが最大では +0/-5.5 dB (GAIN コントロールが最小では +0/-3.5 dB) とします。

* [表 2-2-1] と [表 2-2-2] の系統は、CH1 のみ全部の OUT で確認し、CH2 以降は ST L OUT のみで確認します。

2-4 $\sqrt{80}$ (HPF)

[表 2-2-1] の状態で入力レベル -36 dBu、GAIN を最小として入力信号を 80 Hz とし、 $\sqrt{80}$ スイッチを ON したとき、STEREO L OUT の出力レベルは OFF 時のレベルを基準として -3 ± 2 dB の範囲内であることを確認します。

2-5 COMP

2-5-1 利得 (GAIN) & COMP LED 点灯確認

2-2 の状態で、CH INPUT の COMP コントロールを最大とした時、各 INSERT OUT に得られる出力レベルは [表 2-5-1] の範囲内であることを確認します。

表 2-5-1 [dBu]

CH INPUT	INPUT level	COMP control	INSERT OUT
MIC	-65	最大	+3.0 ± 2

2-5-2 レシオ & COMP LED 点灯確認

入力レベルを 10 dB 上げた時、各 INSERT OUT に得られる出力レベルは、[表 2-5-1] を基準として [表 2-5-2] の範囲内であることを確認します。

またその時、COMP LED が点灯することを確認します。

表 2-5-2 [dBu]

CH INPUT	INPUT level [dB]	INSERT OUT
MIC	-55	+3.5 ± 1

2-5-3 周波数特性

[表 2-5-2] の状態で、信号周波数を 20 Hz、20 kHz とした時、INSERT OUT に得られる出力レベルは、1 kHz を基準として、± 3 dB の範囲内にあることを確認します。

2-5-4 歪み

表 2-5-2 の状態で、信号周波数を 20 Hz、1 kHz、20 kHz とした時、歪み率は、[表 2-5-4] の値以下であることを確認します。

表 2-5-4 [%]

INPUT Frequency	Distortion
20 Hz	5.0
1 kHz	1.0
20 kHz	1.5

2-5-5 アタック、リリース時間

[表 2-5-2] の状態で、INSERT OUT に得られる出力のアタックタイム [入力を -65 dBu から -55 dBu に切替えた時の復帰時間 (90%時)]、リリースタイム [入力を -55 dBu から -65 dBu に切替えた時の復帰時間 (90%時)] は、[表 2-5-5] の範囲内にあることを確認します。

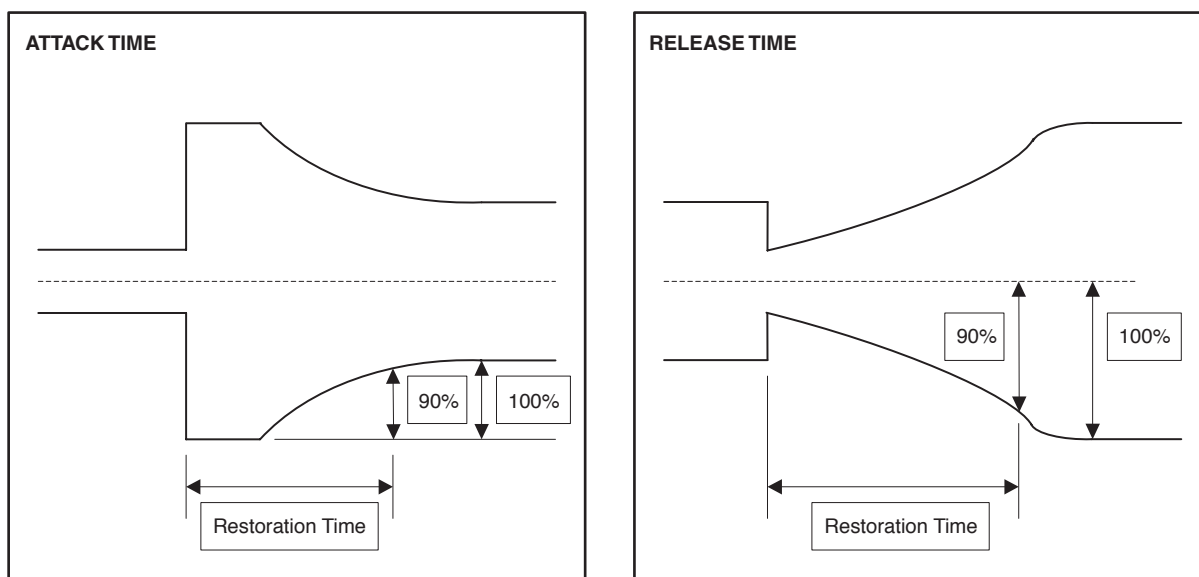


表 2-5-5 [ms]

	ST OUT L
ATTACK TIME	15 – 35
RELEASE TIME	150 – 420

2-5-6 COMP LED 消灯確認

2-5-1 の状態で、入力信号を -68 dBu としたとき、COMP LED が点灯していないことを確認します。

2-6 チャンネル EQ 変化特性

2-1 の状態で、EQ スイッチを ON し、INPUT の LOW、LO-MID、HI-MID、HIGH をそれぞれ動かした時、CH INPUT 及び ST CH INPUT L は GROUP1 OUT に、ST CH INPUT R は GROUP2 OUT に得られる各周波数における出力レベルは、EQ コントロールがセンタークリック位置における出力レベルを基準として、[表 2-6-1] ~ [表 2-6-2] の範囲内であることを確認します。指定周波数において範囲内の出力レベルが得られない場合は、印加周波数を指定周波数の $\pm 20\%$ の範囲で変化させ、[表 2-6-1] ~ [表 2-6-2] の変化幅が得られることを確認します。

表 2-6-1 IM8-40: CH1-40, IM8-32: CH1-32, IM8-24: CH1-24 [dBu]

EQ	VR	f VR	Applied frequency	Variation width
HIGH	最大	-	10 kHz	+12 \pm 2
	最小	-		-12 \pm 2
HI-MID	最大	最大	8 kHz	+15 \pm 2.5
	最小			-15 \pm 2.5
	最大	最小	400 Hz	+15 \pm 2.5
	最小			-15 \pm 2.5
LO-MID	最大	最大	1.6 kHz	+15 \pm 2.5
	最小			-15 \pm 2.5
	最大	最小	80 Hz	+15 \pm 2.5
	最小			-15 \pm 2.5
LOW	最大	-	100 Hz	+12 \pm 2
	最小	-		-12 \pm 2

表 2-6-2 ST CH1-4 [dB]

EQ	VR	Applied frequency	Variation width
HIGH	最大	10 kHz	+12 \pm 2
	最小		-12 \pm 2
HI-MID	最大	3 kHz	+15 \pm 2.5
	最小		-15 \pm 2.5
LO-MID	最大	800 Hz	+15 \pm 2.5
	最小		-15 \pm 2.5
LOW	最大	100 Hz	+12 \pm 2
	最小		-12 \pm 2

2-7 チャンネルセパレーション

GROUP1-8、ST、MONO マスターフェーダーを最大にします。CH1 のフェーダーを最大にし、ON スイッチを ON にします。

CH1 の 1-2 ASSIGN スイッチを ON にし、PAN を反時計方向に回しきり (L/ODD)、GROUP1 出力端子に +20 dBu の信号が出力されるとき、GROUP2 出力端子への洩れ信号が -50 dBu 以下であることを確認します。この状態で、PAN を時計方向に回しきり (R/EVEN)、GROUP2 出力端子に +20 dBu の信号が出力されるとき、GROUP1 出力端子への洩れ信号が -50 dBu 以下であることを確認します。GROUP3-4、5-6、7-8、ST LR 間でも同様に確認します。

2-8 PEAK、0dB、-20dB の LED 点灯レベル

2-1 の状態で各チャンネルの PEAK と 0 dB、-20 dB の LED 点灯レベルは [表 2-8-1] の範囲内であることを確認します。

表 2-8-1 [dBu]

INPUT	-20 dB LED (Green)	0 dB LED (Yellow)	PEAK LED (Red)
CH1-40/32/24	-80 ± 3	-60 ± 2	-43 ± 2
ST CH1-4 ^{*1}	-54 ± 3	-34 ± 2	-17 ± 2

*1 L と R 両方のジャックを挿入し、信号は一方ずつ入力して確認してください。

GROUP OUT 1 ~ 8、AUX SEND 1 ~ 8、MONO OUT の PEAK、0 dB、-20 dB の LED 点灯レベルは [表 2-8-2] の範囲内であることを確認します。

表 2-8-2 [dBu]

-20 dB LED (Green)	0 dB LED (Yellow)	PEAK LED (Red)
-16 ± 3	+4 ± 2	+17 ± 2

2-9 メーター LED 点灯確認

MONITOR コントロールはノミナルポジションにします。

ST、MONITOR OUT が +17.5 ± 2 dBu の時、METER の PEAK LED が点灯することを確認します。ST、MONITOR OUT が +4.0 ± 2 dBu の時、METER の「0」LED が点灯することを確認します。

ST、MONITOR OUT が -25.0 ± 3 dBu の時、METER の「-30」LED が点灯することを確認します。

ST MASTER フェーダーを操作して「-30」から「PEAK」まで順に点灯することを確認します。(MONITOR OUT は、ST AFL スイッチ ON で、ST MASTER フェーダーを操作して確認します。)

2-10 歪

[表 2-2-1] から [表 2-2-12] の (\$)、(\$1)、(\$2)、(\$3) のついた系統について、インプット及びマスターの各レベルコントロールとフェーダーをノミナルポジションとし、GAIN コントロールは表に従って設定したときに、MONO、ST CH INPUT においては、20 Hz、1 kHz の入力信号について各出力端子に +14 dBu の出力が得られた時の歪率は PHONES OUT を除き 0.1% 以下であることを確認します。20 kHz の入力信号については各出力端子に +14 dBu の出力が得られた時の歪率は PHONES OUT を除き 0.15% 以下であることを確認します。

MONO、ST CH INPUT 以外の入力においては、20 Hz、1 kHz、20 kHz の入力信号について各出力端子に +14 dBu の出力が得られた時の歪率は 0.1% 以下であることを確認します。

PHONES OUT (L/R) は PHONES コントロールツマミを 12 時の方向とし、20 Hz、1 kHz、20 kHz の入力信号について +3 dBu の出力が得られた時の歪率は 0.2% 以下であることを確認します。

* (\$1) : CH1 のみ GROUP1 と GROUP3 を確認し、CH2 以降は GROUP1 のみ確認します。

* (\$2) : CH1 のみ確認します。

* (\$3) : AUX1 のみ確認します。

* AUX RETURN、2TR IN 測定時のみ AUX RETURN コントロール、2TR IN コントロール、STEREO L/R フェーダーを最大にして測定します。

2-11 最大出力 /@1 kHz

2-1 の状態で、ST L/R OUT と MONO OUT、AUX1-8 OUT に +24 dBu、GROUP1-8 OUT、MATRIX OUT、MONITOR OUT に +20 dBu の信号が出力される時、1 kHz での歪率は 1% 以下であることを確認します。PHONES (L/R) に +7.5 dBu の信号が出力される時、1 kHz での歪率は 1% 以下であることを確認します。

ST L/R OUT、GROUP1-8 OUT 測定時は PAN または BAL コントロールをそれぞれ L または R に回しきってください。

2-12 入力換算雑音

2-1 の状態で、CH INPUT MIC 入力端子を 150 Ω で短絡し、ST ASSIGN と CH ON スイッチを ON にした時、ST OUT で -128 dBu 以下であることを確認します。

2-13 残留雑音

2-1の状態ですべての入力部のフェーダーとレベルコントロールを最小にし、すべての ASSIGN スイッチと CH ON スイッチを OFF にします。この時、マスター部のフェーダーやレベルコントロールを最大または最小にした時のノイズレベルは [表 2-13-1] のレベル以下であることを確認します。

表 2-13-1 [dBu]

FADER/control	ST L/R OUT	MONO OUT	GROUP1-8 OUT	AUX1-8 OUT	MONITOR OUT	MATRIX OUT	PHONES OUT
最大	-72	-71	-73	-67	-72	-87	-77
最小	-98	-98	-100	-98	-99	-97	-100

* STEREO、MONO、GROUP の出力はスイッチ ON です。

2-14 位相

2-1の状態です各入力端子に印加された信号と各出力端子で得られる信号は同相であることを確認します。CH INPUT の ϕ スイッチ を ON した時、逆相となることを確認します。また、 ϕ スイッチ ON/OFF によるレベル差は ± 1 dB 以内であることを確認します。

2-15 LAMP

LAMP (12 V) コネクタのピン 3-4 間に負荷抵抗 30 Ω (5 W 以上) を接続します。負荷抵抗両端に 12.0 \pm 1 V の直流電圧が得られることを確認します。

2-16 USB

2-16-1 録音

[表 2-16-1] の状態で「USB」経由でパーソナルコンピュータへ録音します。

表 2-16-1 [dBu]

	INPUT		INPUT level	CH1 PAN control
L	PHONE (INSERT)	1	-20.0	L (反時計方向に回し切ってください)
R				R (時計方向に回し切ってください)

* 「REC OUT ST ASSIGN スイッチ」を ON にします。

2-16-2 利得

録音したファイルを「USB」経由で再生した時、出力レベルは [表 2-16-2] の範囲内であることを確認します。

表 2-16-2 [dBu]

	MONITOR OUT L	MONITOR OUT R
L	0 \pm 3	-
R	-	0 \pm 3

* 「WINDOWS」のボリュームコントロールを「最大」に設定してください。

* PFL スイッチを ON にします。

2-17 MUTE

2-1の状態です MONO INPUT に入力し、ASSIGN スイッチをそれぞれ ON、ST OUT で +20 dBu が得られる状態にセット、MUTE1 を ON したとき MUTE MASTER1 の LED が点灯することを確認します。MUTE MASTER1 を ON した時、CH ON LED が消灯し、ノイズレベルは -60 dBu 以下であることを確認します。

* PAN/BAL はセンターにセッティングしてください。

同様に MUTE2、MUTE3、MUTE4 も確認します。

次に、ST INPUT (L, R) でも MONO INPUT と同様の確認をしてください。

2-18 ファンタム電源の検査

INPUT A または MIC 入力コネクタのピン 1-2 間に負荷抵抗 10 k Ω を接続し、ピン 2-3 間を短絡します。
PHANTOM スイッチをオンした時、LED が点灯し負荷抵抗両端に +33 V ~ +37 V の直流電圧が得られることを確認
します。

3. 音出し, 機能検査

それぞれの操作子類を有効な設定にした上で各部の確認を行ってください。

3-1 ボリューム・フェーダー類の検査

全てのボリュームおよびフェーダーを操作した時、機械的な引っかかりや摺れないことを確認します。
出力される音に対しての効果を確認します。
また、異音（摺動ノイズなど）や音切れなどがないことを確認します。

3-2 プッシュスイッチ類の検査

全てのスイッチを ON/OFF 操作して、機械的な引っかかり・摺れないことを確認します。
POWER、PHANTOM を除く全てのスイッチを操作して、出力される音に対しての効果を確認します。
出力される音に異音（ボツ音など）がないことを確認します。

3-3 LED・Meter の確認

音楽信号を入力した時、LED Meter の動作が正常であることを確認します。
全ての LED の輝度・動作が正常であることを確認します。

4. 出荷設定**4-1 工場出荷時の設定**

- ・ EQ GAIN コントロール : CENTER
- ・ PAN, BAL コントロール : CENTER
- ・ 上記以外のレベルコントロール : 最小
- ・ 全ての フェーダー : 最小
- ・ 全てのスイッチ : OFF

MIXING CONSOLE

IM8-40/IM8-32/IM8-24


PARTS LIST

■ CONTENTS (目次)

OVERALL ASSEMBLY (総組立) (IM8-40)	2
OVERALL ASSEMBLY (総組立) (IM8-32)	6
OVERALL ASSEMBLY (総組立) (IM8-24)	10
BOTTOM ASSEMBLY 40 (ボトム Ass'y 40) (IM8-40)	14
BOTTOM ASSEMBLY 32 (ボトム Ass'y 32) (IM8-32)	16
BOTTOM ASSEMBLY 24 (ボトム Ass'y 24) (IM8-24)	18
BOTTOM CASE UNIT 40 (ボトムユニット 40) (IM8-40)	20
BOTTOM CASE UNIT 32 (ボトムユニット 32) (IM8-32)	21
BOTTOM CASE UNIT 24 (ボトムユニット 24) (IM8-24)	22
REAR ASSEMBLY 40 (リア Ass'y 40) (IM8-40)	23
REAR ASSEMBLY 32 (リア Ass'y 32) (IM8-32)	24
REAR ASSEMBLY 24 (リア Ass'y 24) (IM8-24)	25
PANEL ASSEMBLY, MASTER (パネル MAS Ass'y)	26
PANEL ASSEMBLY, IN8 (パネル IN8 Ass'y)	29
ELECTRICAL PARTS (電気部品)	32-107

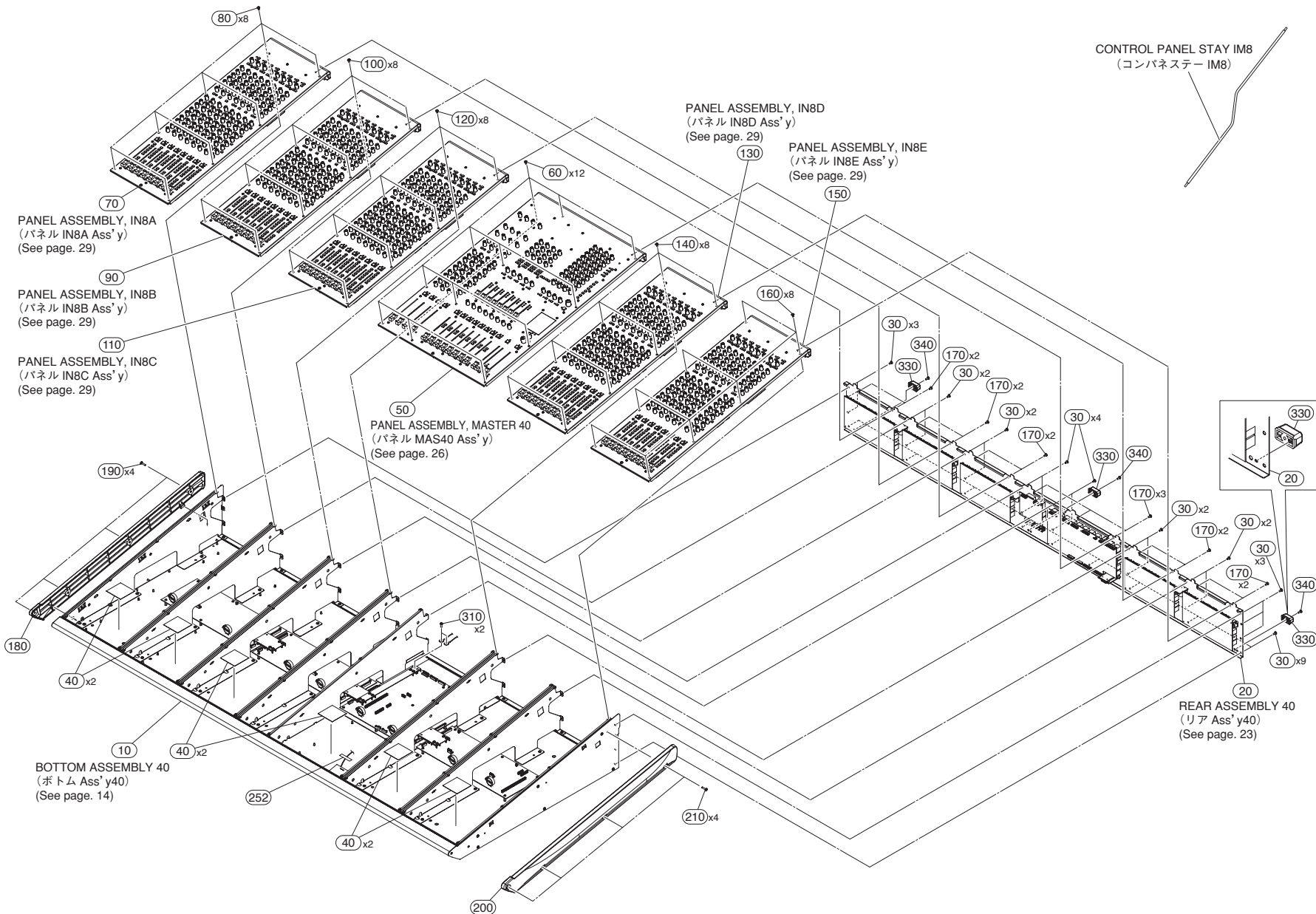
■ WARNING

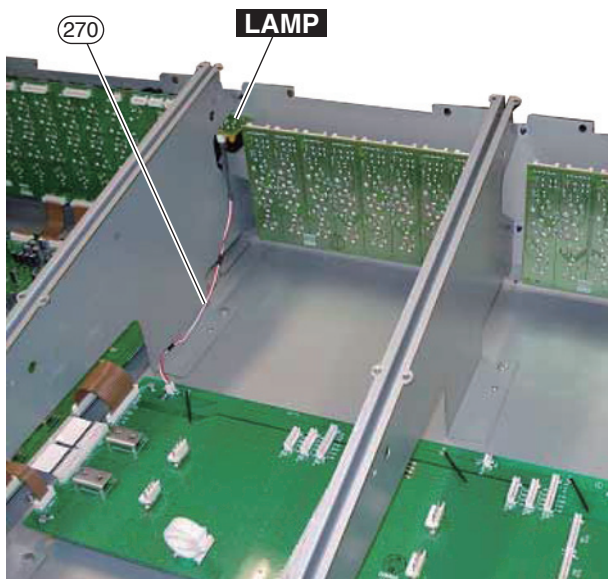
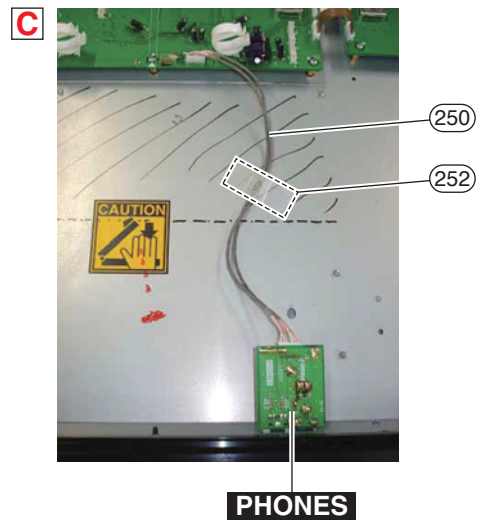
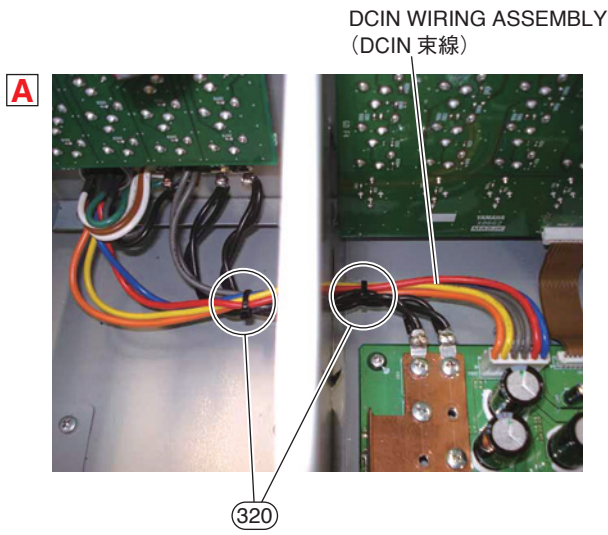
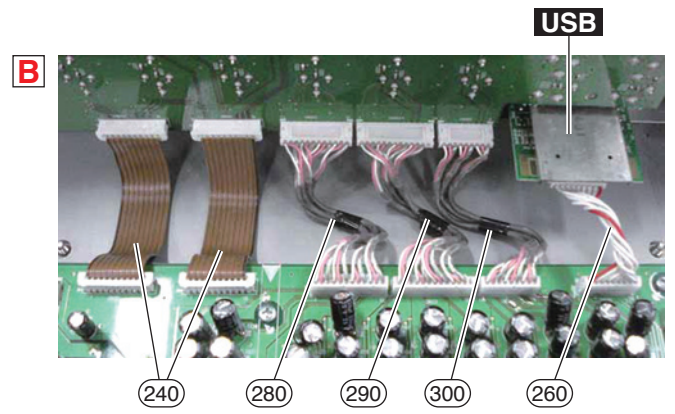
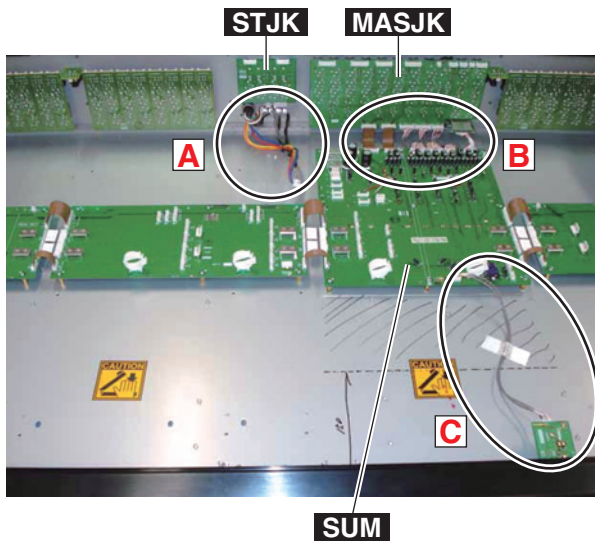
Components having special characteristics are marked  and must be replaced with parts having specification equal to those originally installed.

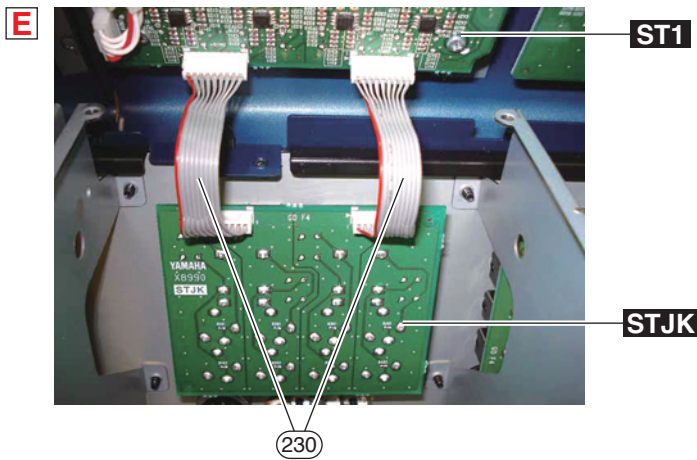
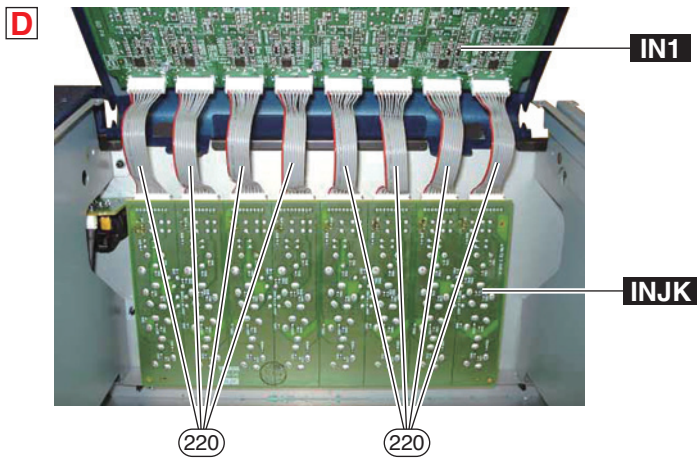
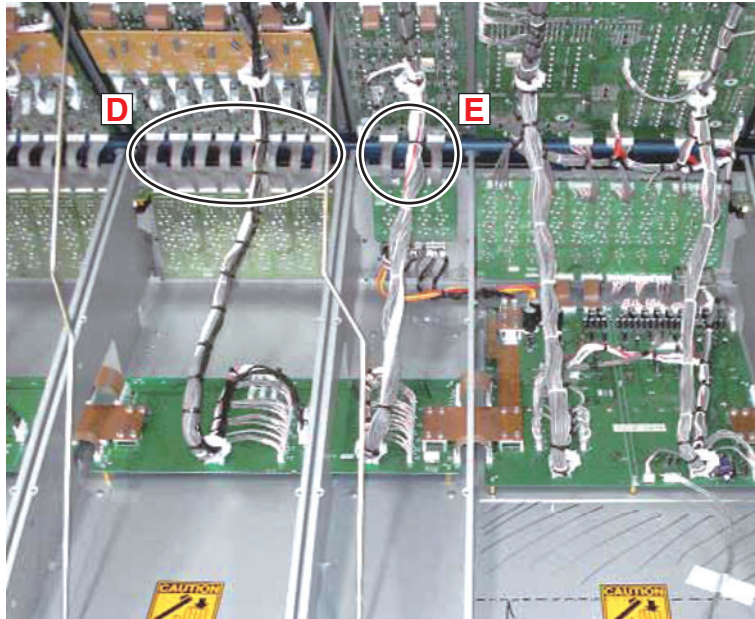
 印の部品は、安全を維持するために重要な部品です。交換する場合は、安全のために必ず指定の部品をご使用ください。

- The numbers "QTY" show quantities for each unit.
- The parts with "--" in "PART NO." are not available as spare parts.
- This mark "}" in the REMARKS column means these parts are interchangeable.
- The second letter of the shaded (■) part number is O, not zero.
- The second letter of the shaded (■) part number is I, not one.
- 部品価格ランクは、変更になることがあります。
- QTY 欄に記されている数字は、各ユニット当たりの使用個数です。
- PART NO. が "--" の部品は、サービス用部品として準備されておりません。
- REMARKS 欄の "}" マークの部品は、併用部品です。
- 網掛けの付いた PART NO. の 2 番目の文字は「ゼロ」ではなく、「オー」です。
- 網掛けの付いた PART NO. の 2 番目の文字は「イチ」ではなく、「アイ」です。

OVERALL ASSEMBLY (総組立) (IM8-40)





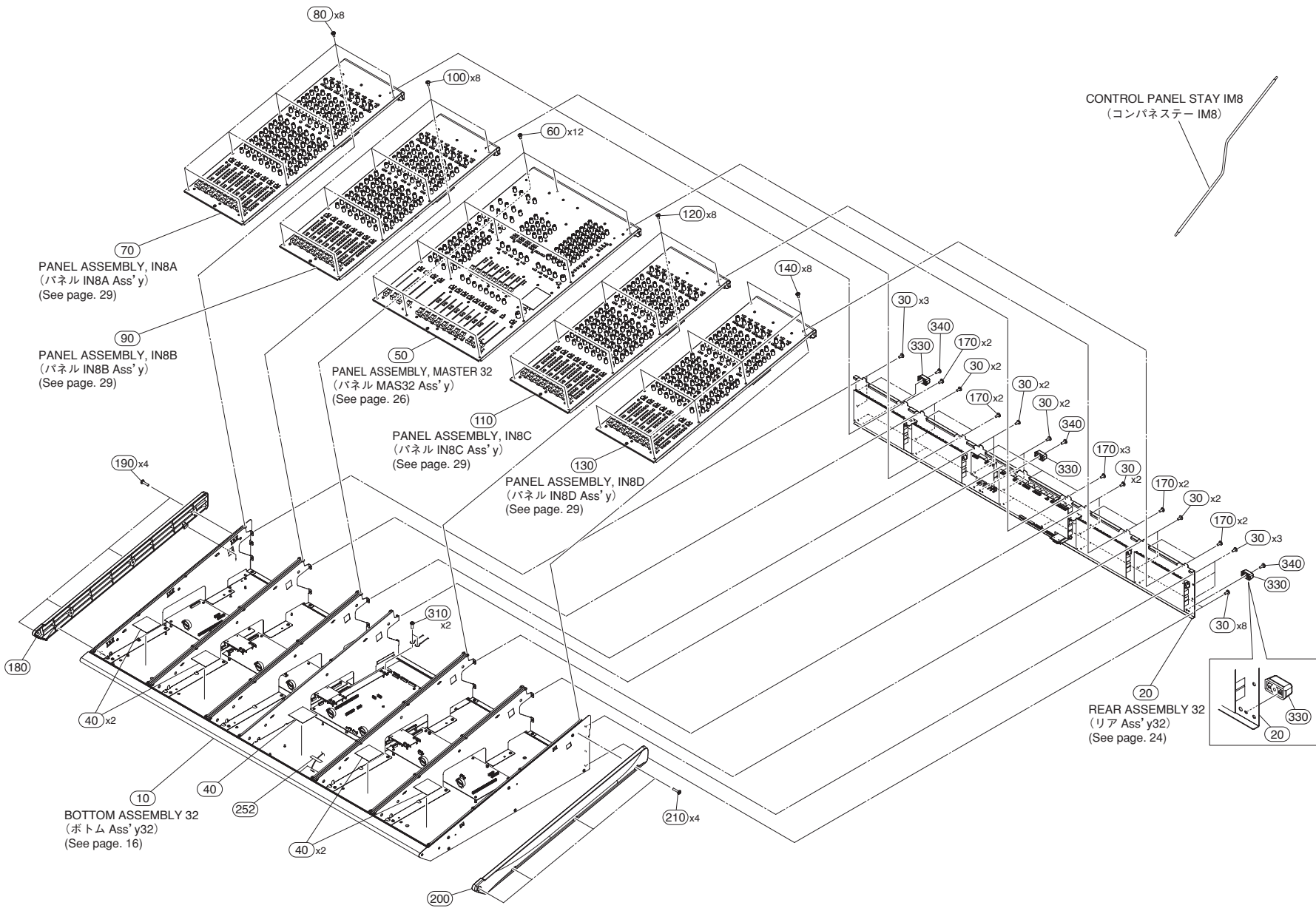


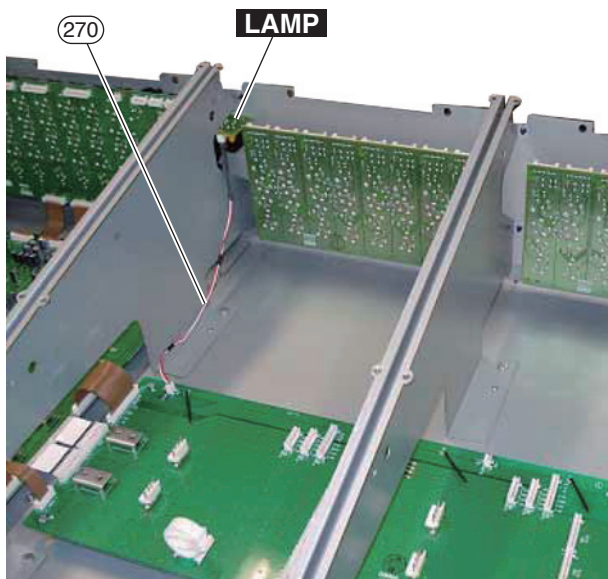
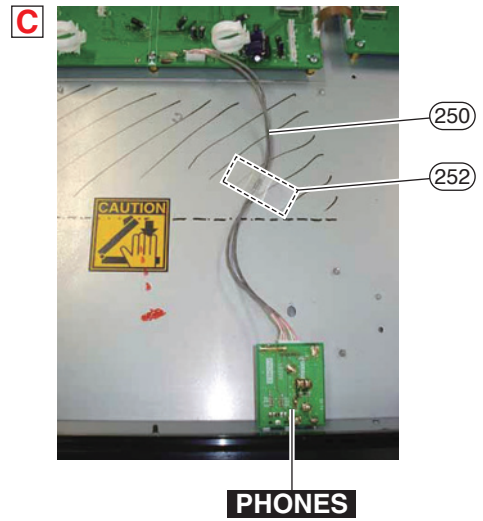
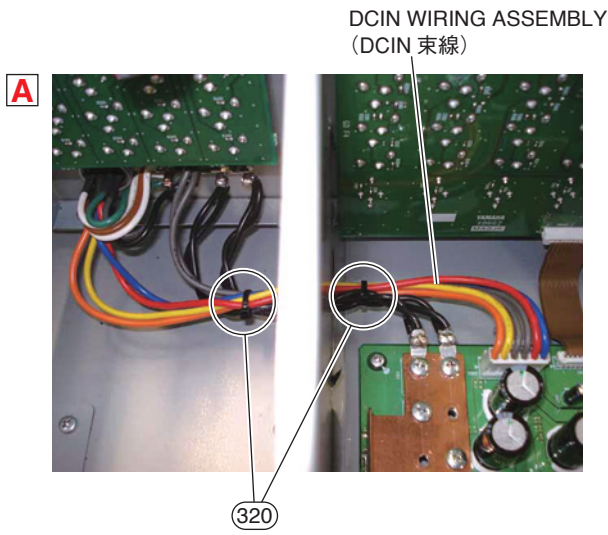
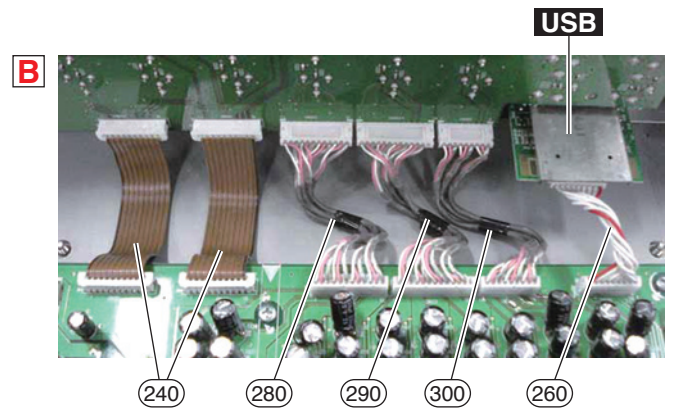
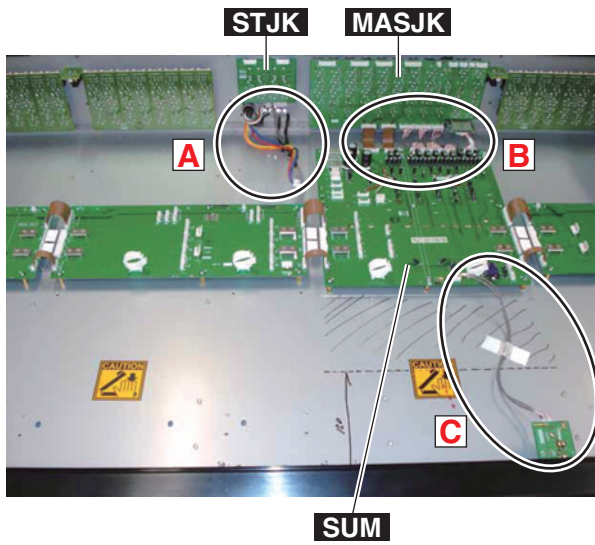
REF NO.	PART NO.	DESCRIPTION	部 品 名	REMARKS	QTY	RANK
		OVERALL ASSEMBLY	総 組 立	IM8-40		
	--	OVERALL ASSEMBLY	総 組 立	(WK78820)		
10	--	BOTTOM ASSEMBLY 40	ボトム A s s ' y 4 0	(WK78880)		
20	--	REAR ASSEMBLY 40	リア A s s ' y 4 0	(WK80070)		
30	WE97230R	BIND HEAD TAPPING SCREW-B	4.0X10 MFZN2B3	B タイト + B I N D	27	01
40	--	CAUTION LABEL	ラベル コーシヨ	(VV85650)	6	
50	--	PANEL ASSEMBLY, MASTER 40	パネル M A S 4 0 A s s ' y	(WK80370)		
60	WE969000	BIND HEAD SCREW	4.0X8 MFZN2B3	小ネジ + B I N D	12	
70	--	PANEL ASSEMBLY, IN8A	パネル I N 8 A A s s ' y	(WK80210)		
80	WE969000	BIND HEAD SCREW	4.0X8 MFZN2B3	小ネジ + B I N D	8	
90	--	PANEL ASSEMBLY, IN8B	パネル I N 8 B A s s ' y	(WM51480)		
100	WE969000	BIND HEAD SCREW	4.0X8 MFZN2B3	小ネジ + B I N D	8	
110	--	PANEL ASSEMBLY, IN8C	パネル I N 8 C A s s ' y	(WM51490)		
120	WE969000	BIND HEAD SCREW	4.0X8 MFZN2B3	小ネジ + B I N D	8	
130	--	PANEL ASSEMBLY, IN8D	パネル I N 8 D A s s ' y	(WM51500)		
140	WE969000	BIND HEAD SCREW	4.0X8 MFZN2B3	小ネジ + B I N D	8	
150	--	PANEL ASSEMBLY, IN8E	パネル I N 8 E A s s ' y	(WM51510)		
160	WE969000	BIND HEAD SCREW	4.0X8 MFZN2B3	小ネジ + B I N D	8	
170	WE969000	BIND HEAD SCREW	4.0X8 MFZN2B3	小ネジ + B I N D	13	
180	WK803800	SIDE PAD L	LEFT	サイドパッド L		
190	WE99840R	BIND HEAD TAPPING SCREW-B	4.0X16 MFZN2B3	B タイト + B I N D	4	01
200	WK803900	SIDE PAD R	RIGHT	サイドパッド R		
210	WE99840R	BIND HEAD TAPPING SCREW-B	4.0X16 MFZN2B3	B タイト + B I N D	4	01
220	WM499800	FLAT CABLE	PH-PH 9P 80mm	フラットケーブル	40	
230	WM499800	FLAT CABLE	PH-PH 9P 80mm	フラットケーブル	2	
240	WM537900	JUMPER WIRE	10P-100L	ジャンパーワイヤー	2	
250	--	WIRING ASSEMBLY	PH&PH 7P 300L	束 着 テ ー プ	(WM53550)	
252	VA126101	FILAMENT TAPE	12X50	粘 着 テ ー プ		01
260	--	WIRING ASSEMBLY	PH&PH 9P 50L	束 着 テ ー プ	(WM53580)	
270	--	WIRING ASSEMBLY	PH&PH 2P 250L	束 着 テ ー プ	(WM53590)	3
280	--	WIRING ASSEMBLY	PH&PH 12P 100L	束 着 テ ー プ	(WM53600)	
290	--	WIRING ASSEMBLY	PH&PH 13P 100L	束 着 テ ー プ	(WM53610)	
300	--	WIRING ASSEMBLY	PH&PH 9P 100L	束 着 テ ー プ	(WM53620)	
310	WF10580R	BIND HEAD SCREW	4.0X6 MFZN2W3	小ネジ + B I N D	2	01
320	CB06925R	BINDING TIE	BK-1 TYTON CO.	インシュロックタイ	2	01
330	VT451200	CONNECTOR GUARD (POM), BL		コネクターガード	3	05
340	WE97230R	BIND HEAD TAPPING SCREW-B	4.0X10 MFZN2B3	B タイト + B I N D	3	01
	WM500200	ACCESSORIES		付 属 品		
		POWER SUPPLY CABLE	MH(L)	電 源 ケ ー ブ ル		
	WN163200	LANGLE		L ア ン グ ル	2	
	X8844B00	DVD-ROM		D V D - R O M		
	V8100400	USB CABLE	4P 1.5m USB(A-B)	U S B ケ ー ブ ル		03
		TOOL		工 具		
	WN736000	CONTROL PANEL STAY IM8		コ ン パ ネ ス テ ー IM8		

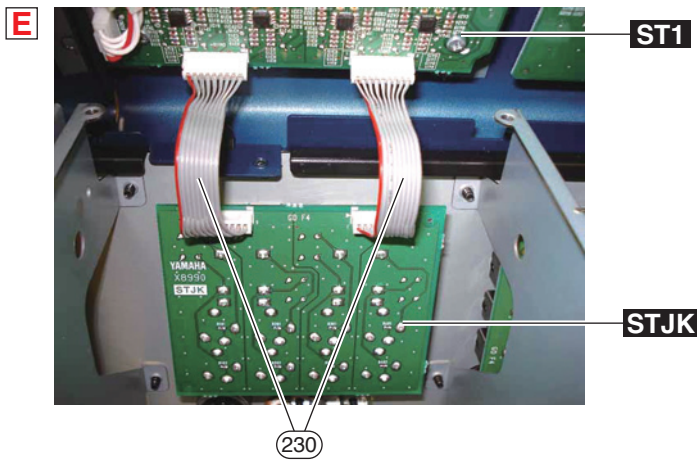
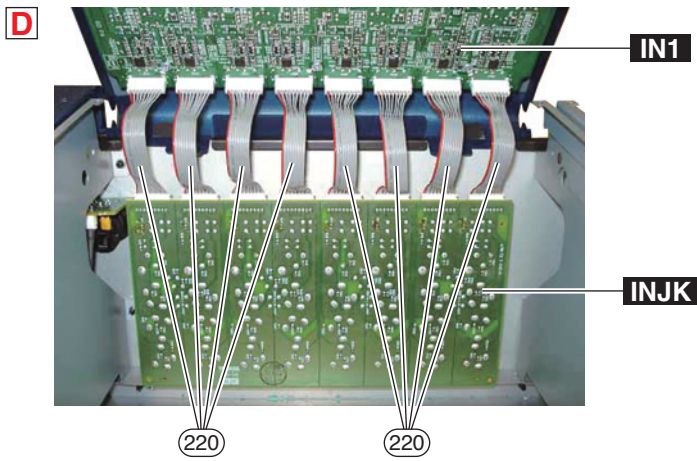
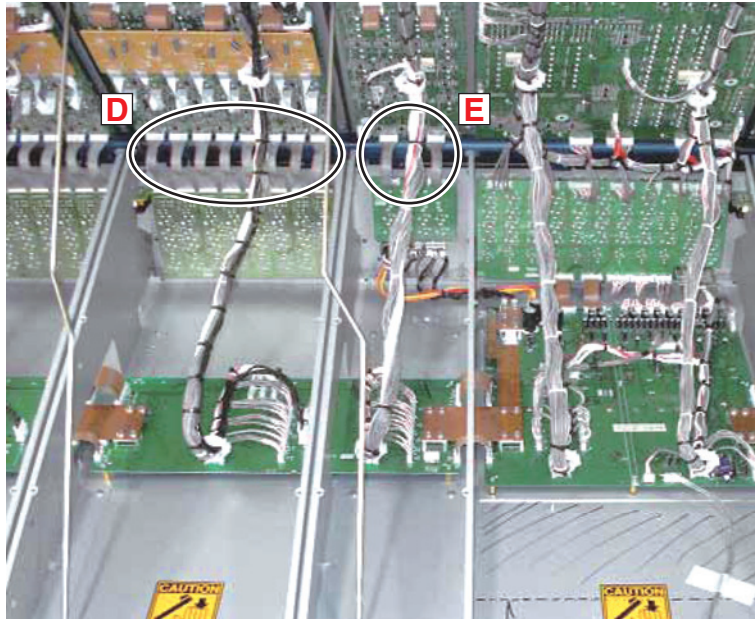
*: New Parts

RANK: Japan only

OVERALL ASSEMBLY (総組立) (IM8-32)





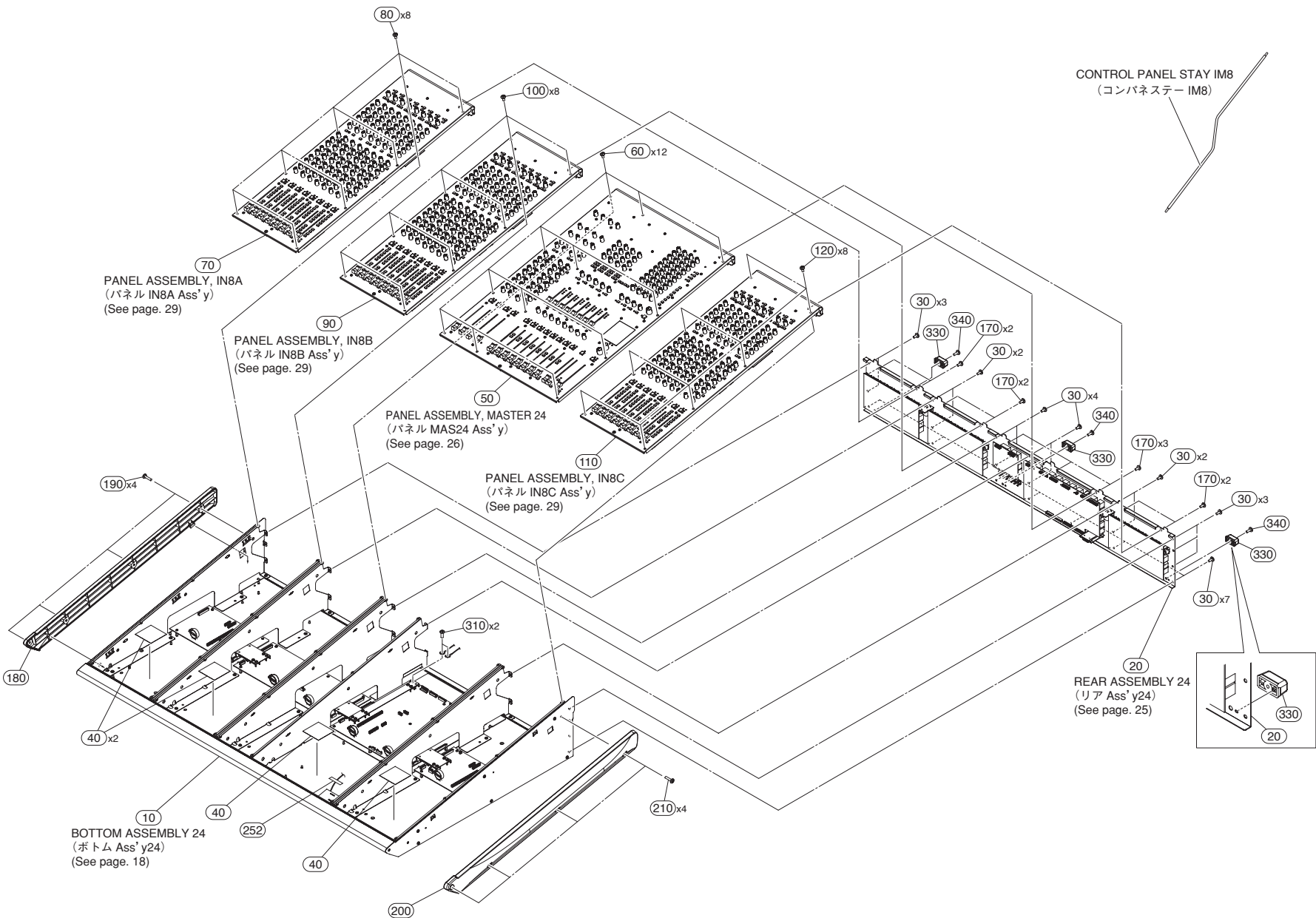


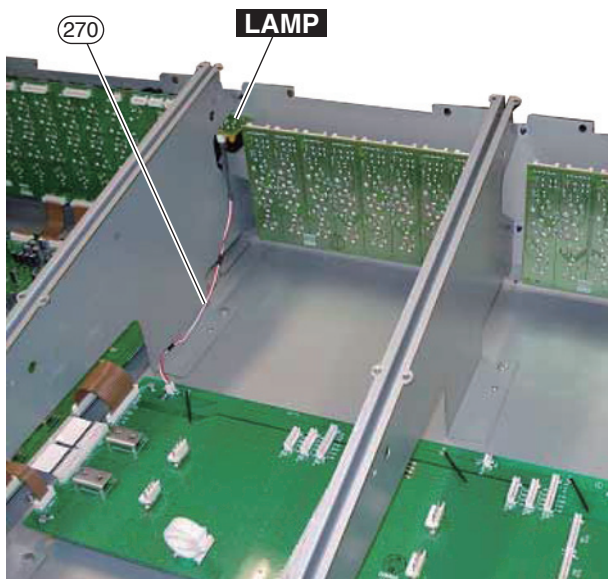
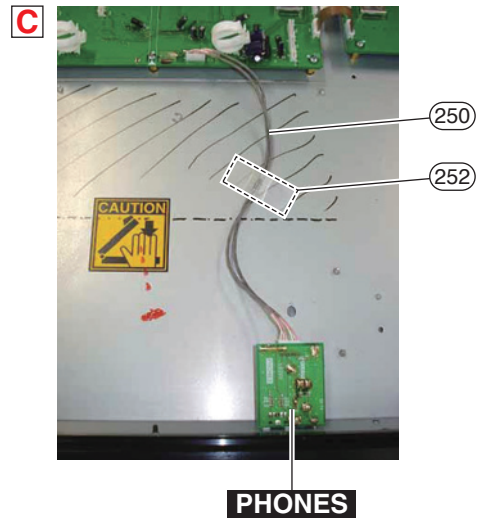
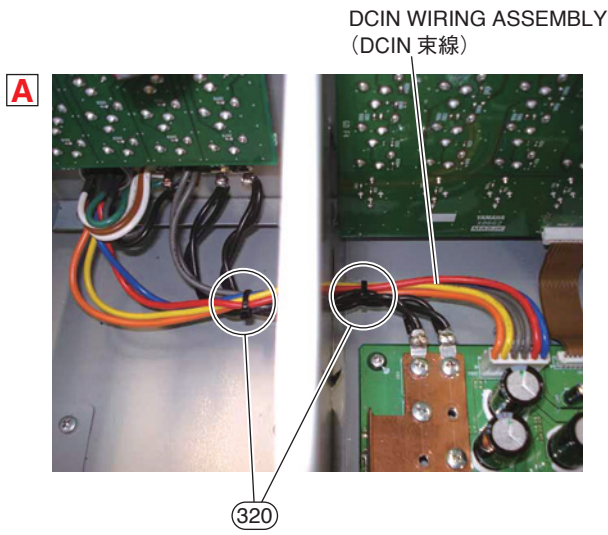
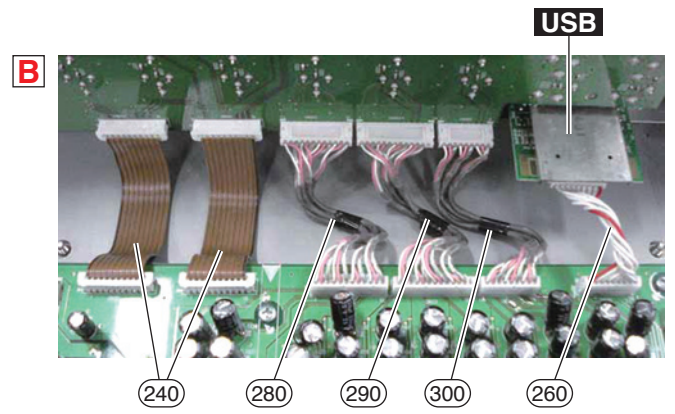
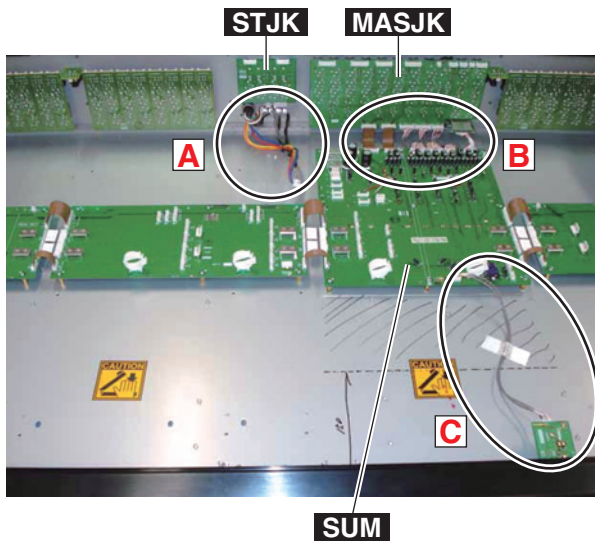
REF NO.	PART NO.	DESCRIPTION		部 品 名	REMARKS	QTY	RANK
		OVERALL ASSEMBLY		総 組 立	IM8-32		
10	--	OVERALL ASSEMBLY		総 組 立	(WK78830)		
20	--	BOTTOM ASSEMBLY 32		ボトム A s s ' y 3 2	(WK78890)		
30	WE97230R	BIND HEAD TAPPING SCREW-B	4.0X10 MFZN2B3	リ ア A s s ' y 3 2 B タ イ ト + B I N D	(WK80080)	24	01
40	--	CAUTION LABEL		ラベル コーシヨ	(VV85650)	5	
50	--	PANEL ASSEMBLY, MASTER 32		パネル M A S 3 2 A s s ' y	(WM51910)		
60	WE969000	BIND HEAD SCREW	4.0X8 MFZN2B3	小ネジ + B I N D		12	
70	--	PANEL ASSEMBLY, IN8A		パネル I N 8 A A s s ' y	(WK80210)		
80	WE969000	BIND HEAD SCREW	4.0X8 MFZN2B3	小ネジ + B I N D		8	
90	--	PANEL ASSEMBLY, IN8B		パネル I N 8 B A s s ' y	(WM51480)		
100	WE969000	BIND HEAD SCREW	4.0X8 MFZN2B3	小ネジ + B I N D		8	
110	--	PANEL ASSEMBLY, IN8C		パネル I N 8 C A s s ' y	(WM51490)		
120	WE969000	BIND HEAD SCREW	4.0X8 MFZN2B3	小ネジ + B I N D		8	
130	--	PANEL ASSEMBLY, IN8D		パネル I N 8 D A s s ' y	(WM51500)		
140	WE969000	BIND HEAD SCREW	4.0X8 MFZN2B3	小ネジ + B I N D		8	
170	WE969000	BIND HEAD SCREW	4.0X8 MFZN2B3	小ネジ + B I N D		11	
* 180	WK803800	SIDE PAD L	LEFT	サイドパッド L			
190	WE99840R	BIND HEAD TAPPING SCREW-B	4.0X16 MFZN2B3	B タ イ ト + B I N D		4	01
* 200	WK803900	SIDE PAD R	RIGHT	サイドパッド R			
210	WE99840R	BIND HEAD TAPPING SCREW-B	4.0X16 MFZN2B3	B タ イ ト + B I N D		4	01
* 220	WM499800	FLAT CABLE	PH-PH 9P 80mm	フラットケーブル		32	
* 230	WM499800	FLAT CABLE	PH-PH 9P 80mm	フラットケーブル		2	
* 240	WM537900	JUMPER WIRE	10P-100L	ジャンパーワイヤー		2	
250	--	WIRING ASSEMBLY	PH&PH 7P 300L	束 線	(WM53550)		
252	VA126101	FILAMENT TAPE	12X50	粘 着 テ ー プ			01
260	--	WIRING ASSEMBLY	PH&PH 9P 50L	束 線	(WM53580)		
270	--	WIRING ASSEMBLY	PH&PH 2P 250L	束 線	(WM53590)	2	
280	--	WIRING ASSEMBLY	PH&PH 12P 100L	束 線	(WM53600)		
290	--	WIRING ASSEMBLY	PH&PH 13P 100L	束 線	(WM53610)		
300	--	WIRING ASSEMBLY	PH&PH 9P 100L	束 線	(WM53620)		
310	WF10580R	BIND HEAD SCREW	4.0X6 MFZN2W3	小ネジ + B I N D		2	01
320	CB06925R	BINDING TIE	BK-1 TYTON CO.	インシュロックタイ		2	01
330	VT451200	CONNECTOR GUARD (POM), BL		コネクタガード		3	05
340	WE97230R	BIND HEAD TAPPING SCREW-B	4.0X10 MFZN2B3	B タ イ ト + B I N D		3	01
* 350	WM500200	ACCESSORIES		付 属 品			
* 360	WN163300	POWER SUPPLY CABLE	MH(L)	電 源 ケ ー ブ ル			
* 370	X8844B00	L ANGLE		L ア ン グ ル		2	
	V8100400	DVD-ROM		D V D - R O M			
		USB CABLE	4P 1.5m USB(A-B)	U S B ケ ー ブ ル			03
* 380	WN736000	TOOL		工 具			
		CONTROL PANEL STAY IM8		コ ン パ ネ ス テ ー IM8			

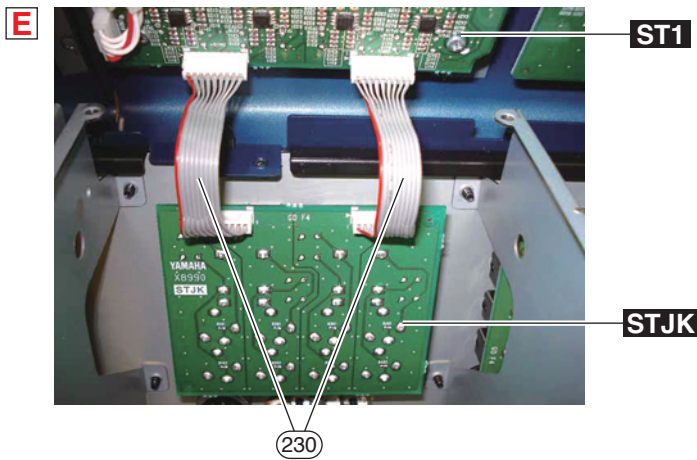
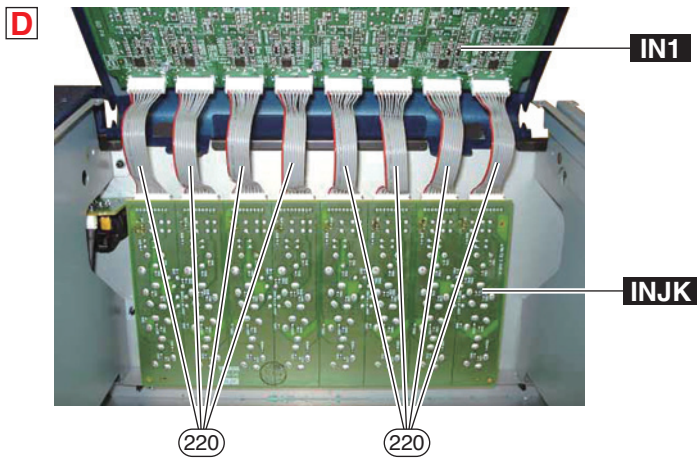
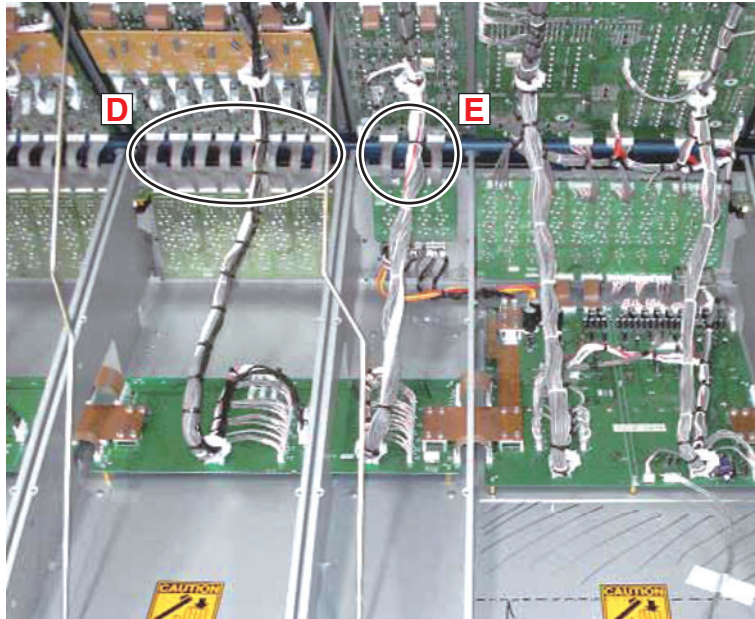
*: New Parts

RANK: Japan only

OVERALL ASSEMBLY (総組立) (IM8-24)





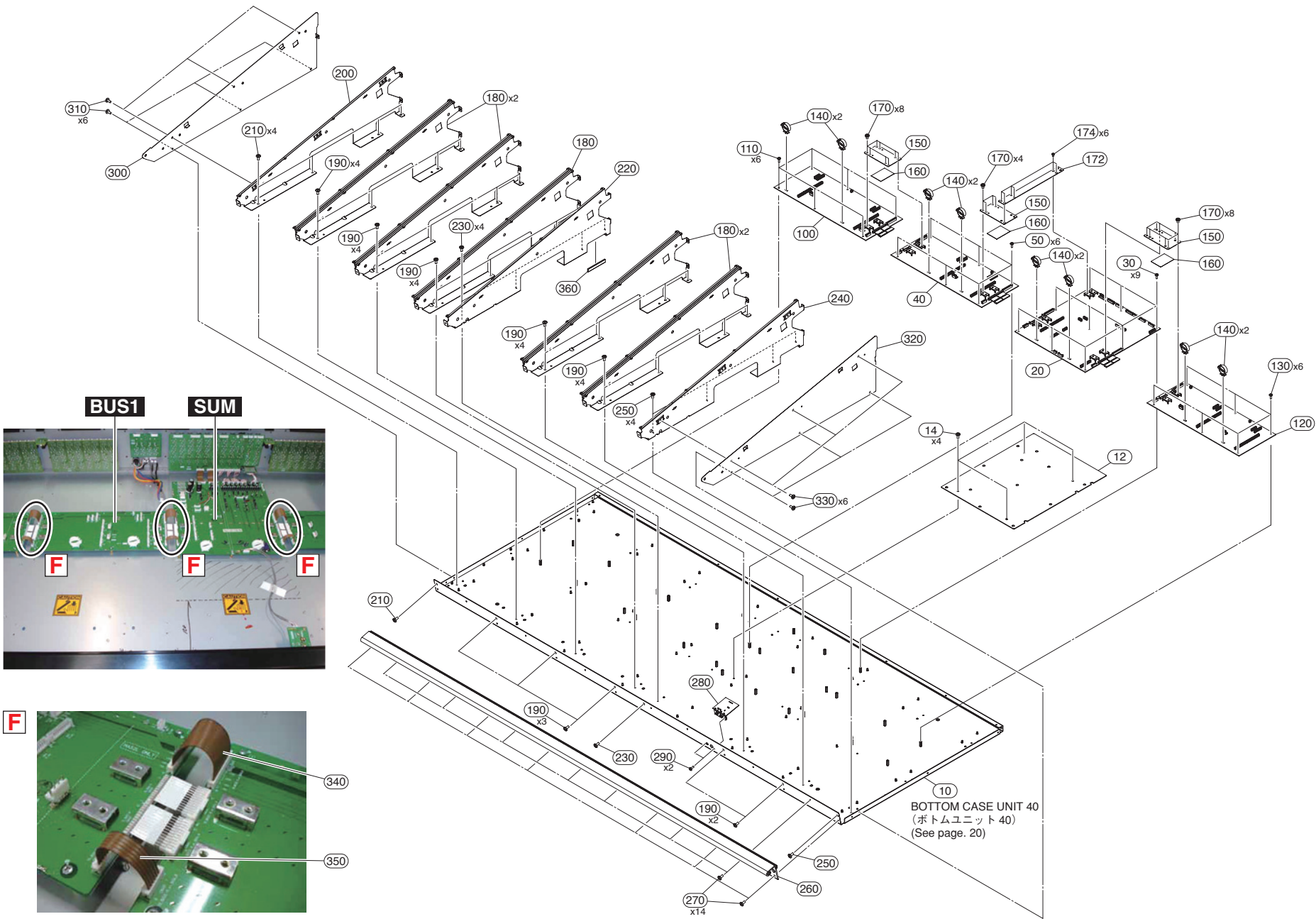


REF NO.	PART NO.	DESCRIPTION		部 品 名	REMARKS	QTY	RANK
		OVERALL ASSEMBLY		総 組 立	IM8-24		
	--	OVERALL ASSEMBLY		総 組 立	(WK78840)		
10	--	BOTTOM ASSEMBLY 24		ボトム A s s ' y 2 4	(WK78900)		
20	--	REAR ASSEMBLY 24		リア A s s ' y 2 4	(WK80090)		
30	WE97230R	BIND HEAD TAPPING SCREW-B	4.0X10 MFZN2B3	B タイト + B I N D		21	01
40	--	CAUTION LABEL		ラベル コーシヨ	(VV85650)	4	
50	--	PANEL ASSEMBLY, MASTER 24		パネル M A S 2 4 A s s ' y	(WM51920)		
60	WE969000	BIND HEAD SCREW	4.0X8 MFZN2B3	小ネジ + B I N D		12	
70	--	PANEL ASSEMBLY, IN8A		パネル I N 8 A A s s ' y	(WK80210)		
80	WE969000	BIND HEAD SCREW	4.0X8 MFZN2B3	小ネジ + B I N D		8	
90	--	PANEL ASSEMBLY, IN8B		パネル I N 8 B A s s ' y	(WM51480)		
100	WE969000	BIND HEAD SCREW	4.0X8 MFZN2B3	小ネジ + B I N D		8	
110	--	PANEL ASSEMBLY, IN8C		パネル I N 8 C A s s ' y	(WM51490)		
120	WE969000	BIND HEAD SCREW	4.0X8 MFZN2B3	小ネジ + B I N D		8	
170	WE969000	BIND HEAD SCREW	4.0X8 MFZN2B3	小ネジ + B I N D		9	
* 180	WK803800	SIDE PAD	LEFT	サイドパッド L			
190	WE99840R	BIND HEAD TAPPING SCREW-B	4.0X16 MFZN2B3	B タイト + B I N D		4	01
* 200	WK803900	SIDE PAD	RIGHT	サイドパッド R			
210	WE99840R	BIND HEAD TAPPING SCREW-B	4.0X16 MFZN2B3	B タイト + B I N D		4	01
220	WM499800	FLAT CABLE	PH-PH 9P 80mm	フラットケーブル		24	
* 230	WM499800	FLAT CABLE	PH-PH 9P 80mm	フラットケーブル		2	
* 240	WM537900	JUMPER WIRE	10P-100L	ジャンパーワイヤー		2	
250	--	WIRING ASSEMBLY	PH&PH 7P 300L	束 着 テ ー プ	(WM53550)		
252	VA126101	FILAMENT TAPE	12X50	粘 着 テ ー プ			01
260	--	WIRING ASSEMBLY	PH&PH 9P 50L	束 着 テ ー プ	(WM53580)		
270	--	WIRING ASSEMBLY	PH&PH 2P 250L	束 着 テ ー プ	(WM53590)	2	
280	--	WIRING ASSEMBLY	PH&PH 12P 100L	束 着 テ ー プ	(WM53600)		
290	--	WIRING ASSEMBLY	PH&PH 13P 100L	束 着 テ ー プ	(WM53610)		
300	--	WIRING ASSEMBLY	PH&PH 9P 100L	束 着 テ ー プ	(WM53620)		
310	WF10580R	BIND HEAD SCREW	4.0X6 MFZN2W3	小ネジ + B I N D		2	01
320	CB06925R	BINDING TIE	BK-1	インシュロックタイ		2	01
330	VT451200	CONNECTOR GUARD (POM), BL		コネクターガード		3	05
340	WE97230R	BIND HEAD TAPPING SCREW-B	4.0X10 MFZN2B3	B タイト + B I N D		3	01
		ACCESSORIES		付 属 品			
* 350	WM500200	POWER SUPPLY CABLE	3M MH(L)	電 源 ケ ー ブ ル			
* 360	WN163400	L ANGLE		L ア ン グ ル		2	
	X8844B00	DVD-ROM		D V D - R O M			
	V8100400	USB CABLE	4P 1.5m USB(A-B)	U S B ケ ー ブ ル			03
		TOOL		工 具			
* 370	WN736000	CONTROL PANEL STAY IM8		コ ン パ ネ ス テ ー IM8			

*: New Parts

RANK: Japan only

BOTTOM ASSEMBLY 40 (ボトム Ass'y40) (IM8-40)

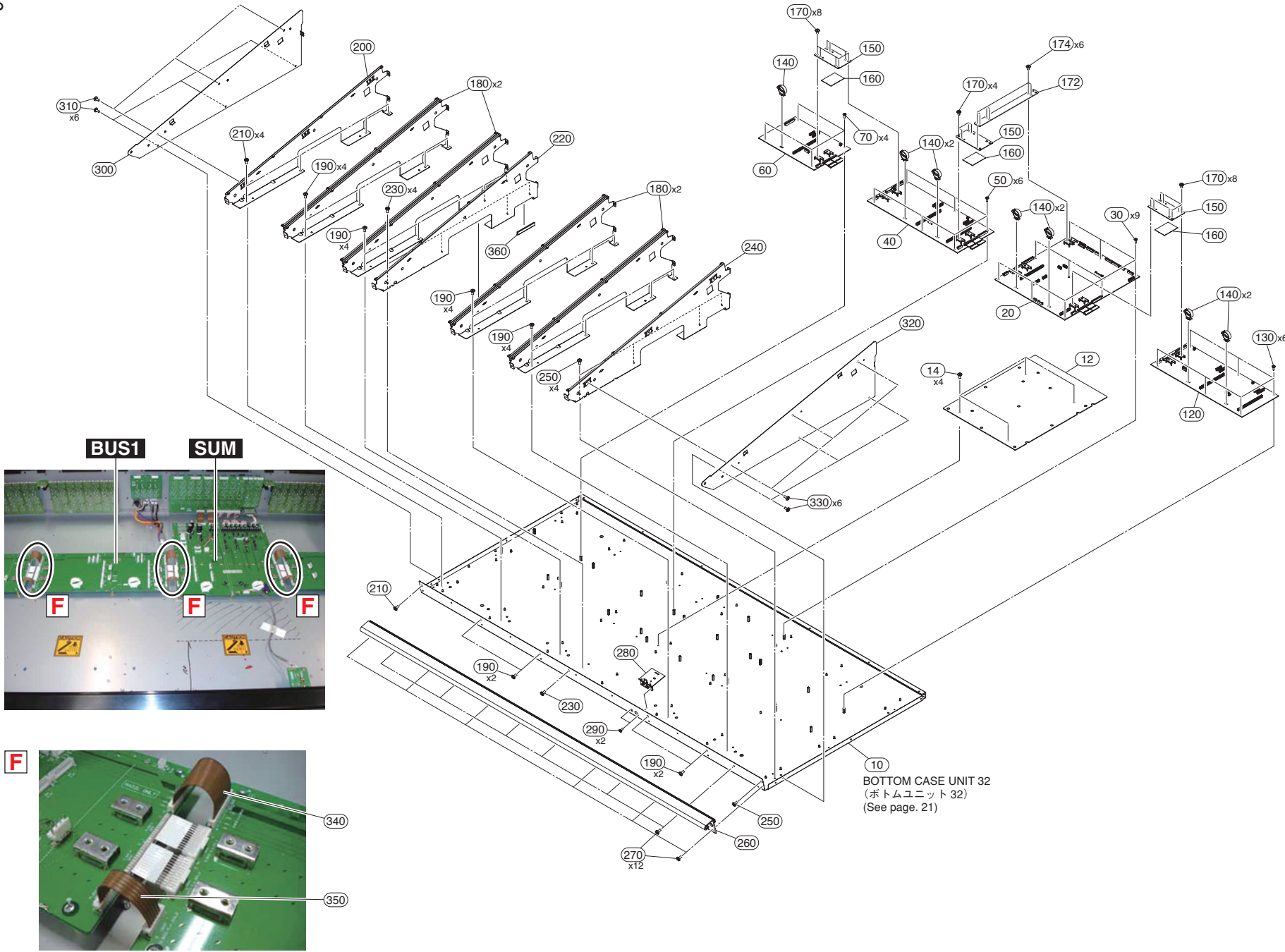


REF NO.	PART NO.	DESCRIPTION	部 品 名	REMARKS	QTY	RANK
		BOTTOM ASSEMBLY 40		ボトム A s s ' y 4 0		
	--	BOTTOM ASSEMBLY 40		ボトム A s s ' y 4 0	IM8-40	
10	--	BOTTOM CASE UNIT 40		ボトムユニット40	(WK78880)	
12	--	BOTTOM SHIELD		ボトムシールド	(WN71520)	
14	WE97460R	BIND HEAD TAPPING SCREW-B	4.0X8 MFZN2W3	Bタイト+BIND	(WN59580)	4 01
* 20	WJ986500	CIRCUIT BOARD	SUM	S U M シ ー ト		
30	WE774000	BIND HEAD SCREW	3.0X6 MFZN2W3	小ネジ+BIND		9 01
* 40	WK592200	CIRCUIT BOARD	BUS1	B U S 1 シ ー ト		
50	WE774000	BIND HEAD SCREW	3.0X6 MFZN2W3	小ネジ+BIND		6 01
* 100	WK592500	CIRCUIT BOARD	BUS3	B U S 3 シ ー ト		
110	WE774000	BIND HEAD SCREW	3.0X6 MFZN2W3	小ネジ+BIND		6 01
* 120	WK592600	CIRCUIT BOARD	BUS4	B U S 4 シ ー ト		
130	WE774000	BIND HEAD SCREW	3.0X6 MFZN2W3	小ネジ+BIND		6 01
* 140	WM457300	LOCKING CLAMP	RLCT-20V0 TKK	ロッキングクランプ		8
150	--	EARTH PLATE		アースプレート	(WK79410)	3
160	--	INSULATING SHEET	40 55 0.5	絶縁シート	(WN16790)	3
170	WF10580R	BIND HEAD SCREW	4.0X6 MFZN2W3	小ネジ+BIND		20 01
172	--	EARTH PLATE SUM		アースプレートSUM	(WN53560)	
174	WF10580R	BIND HEAD SCREW	4.0X6 MFZN2W3	小ネジ+BIND		6 01
180	--	CENTER FRAME ASSEMBLY		センターフレーム加工	(WK79240)	5
190	WE97460R	BIND HEAD TAPPING SCREW-B	4.0X8 MFZN2W3	Bタイト+BIND		25 01
200	--	CENTER FRAME L BR	LEFT	センターフレームLB	(WM45470)	
210	WE97460R	BIND HEAD TAPPING SCREW-B	4.0X8 MFZN2W3	Bタイト+BIND		5 01
220	--	CENTER FRAME R	RIGHT	センターフレームR	(WK79280)	
230	WE97460R	BIND HEAD TAPPING SCREW-B	4.0X8 MFZN2W3	Bタイト+BIND		5 01
240	--	CENTER FRAME R BR	RIGHT	センターフレームRB	(WM45490)	
250	WE97460R	BIND HEAD TAPPING SCREW-B	4.0X8 MFZN2W3	Bタイト+BIND		5 01
* 260	WK797400	FRONT PAD 40		フロントパッド加工品		
270	WE97230R	BIND HEAD TAPPING SCREW-B	4.0X10 MFZN2B3	Bタイト+BIND		14 01
* 280	WK634100	CIRCUIT BOARD	PHONES	P H O N E S シ ー ト		
290	WE774100	BOND HEAD TAPPING SCREW-B	3.0X8 MFZN2B3	Bタイト+BOND		2 01
* 300	WM455100	SIDE PANEL	LEFT	サイドパネルL塗装		
310	WE97230R	BIND HEAD TAPPING SCREW-B	4.0X10 MFZN2B3	Bタイト+BIND		6 01
* 320	WM455200	SIDE PANEL	RIGHT	サイドパネルR塗装		
330	WE97230R	BIND HEAD TAPPING SCREW-B	4.0X10 MFZN2B3	Bタイト+BIND		6 01
* 340	WM538000	JUMPER WIRE	16P-60L	ジャンパーワイヤー		3
* 350	WM538100	JUMPER WIRE	6P-60L	ジャンパーワイヤー		3
360	CB550910	CLOTH TAPE	570F 30m ROLL W=20	アセテートクロステーブ		10

*: New Parts

RANK: Japan only

BOTTOM ASSEMBLY 32 (ボトム Ass'y32) (IM8-32)

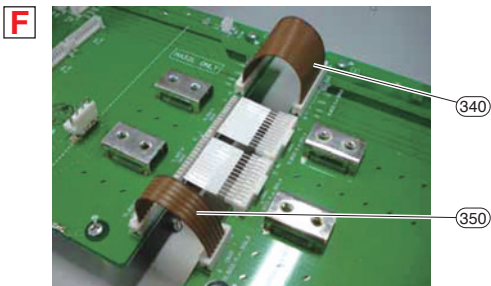
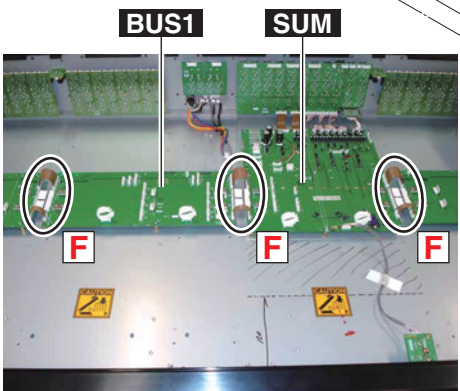
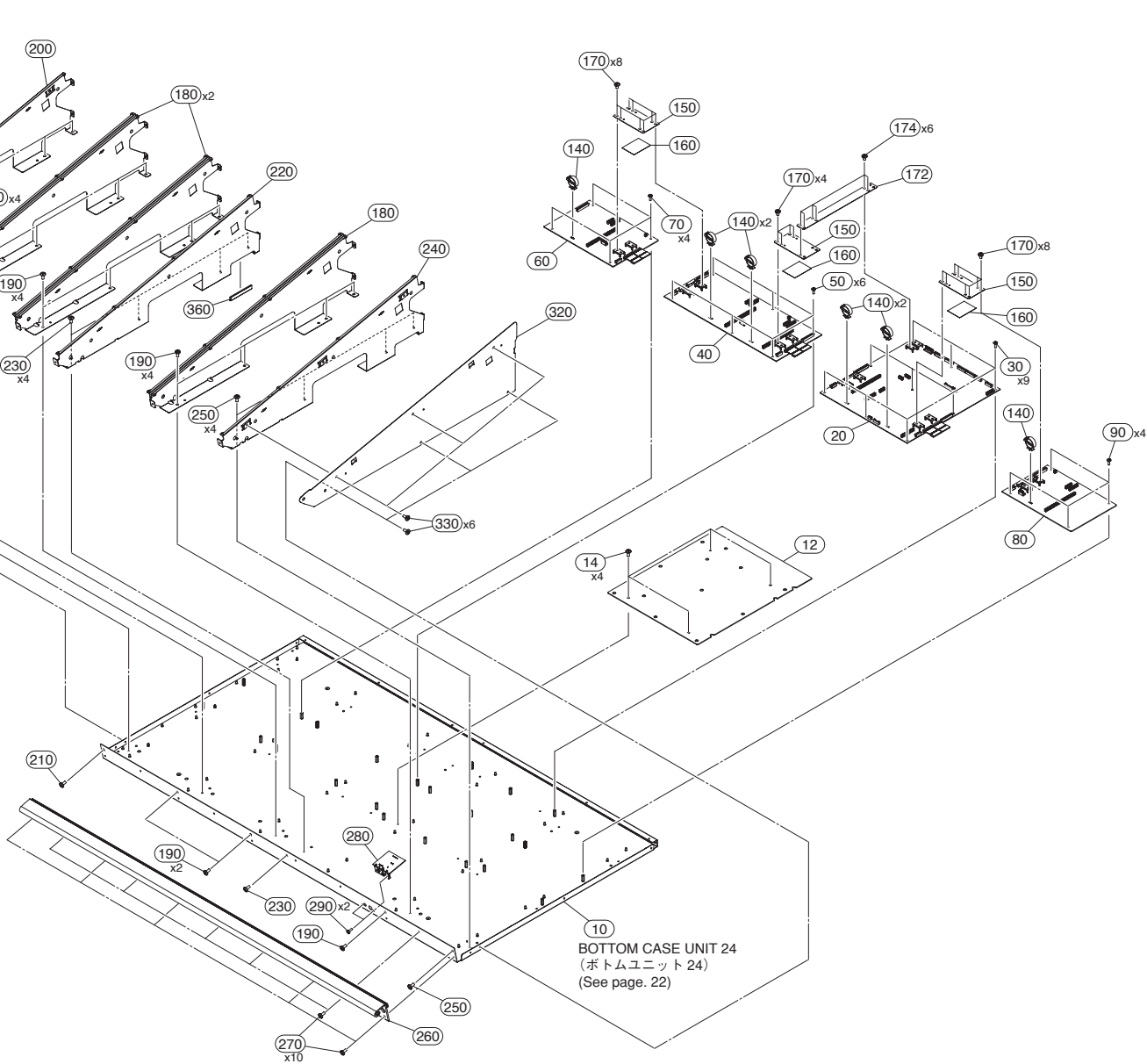


REF NO.	PART NO.	DESCRIPTION	部 品 名	REMARKS	QTY	RANK
		BOTTOM ASSEMBLY 32		ボトム A s s ' y 3 2		
	--	BOTTOM ASSEMBLY 32		ボトム A s s ' y 3 2	IM8-32	
10	--	BOTTOM CASE UNIT 32		ボトムユニット32	(WK78890)	
12	--	BOTTOM SHIELD		ボトムシールド	(WN71530)	
14	WE97460R	BIND HEAD TAPPING SCREW-B	4.0X8 MFZN2W3	Bタイト+BIND	(WN59580)	4 01
* 20	WJ986500	CIRCUIT BOARD	SUM	S U M シ ー ト		
30	WE774000	BIND HEAD SCREW	3.0X6 MFZN2W3	小ネジ+BIND		9 01
* 40	WK592200	CIRCUIT BOARD	BUS1	B U S 1 シ ー ト		
50	WE774000	BIND HEAD SCREW	3.0X6 MFZN2W3	小ネジ+BIND		6 01
* 60	WK592300	CIRCUIT BOARD	BUS2L	B U S 2 L シ ー ト		
70	WE774000	BIND HEAD SCREW	3.0X6 MFZN2W3	小ネジ+BIND		4 01
* 120	WK592600	CIRCUIT BOARD	BUS4	B U S 4 シ ー ト		
130	WE774000	BIND HEAD SCREW	3.0X6 MFZN2W3	小ネジ+BIND		6 01
* 140	WM457300	LOCKING CLAMP	RLCT-20V0 TKK	ロッキングクランプ		7
150	--	EARTH PLATE		アースプレート	(WK79410)	3
160	--	INSULATING SHEET	40 55 0.5	絶縁シート	(WN16790)	3
170	WF10580R	BIND HEAD SCREW	4.0X6 MFZN2W3	小ネジ+BIND		20 01
172	--	EARTH PLATE SUM		アースプレートSUM	(WN53560)	
174	WF10580R	BIND HEAD SCREW	4.0X6 MFZN2W3	小ネジ+BIND		6 01
180	--	CENTER FRAME ASSEMBLY		センターフレーム加工	(WK79240)	4
190	WE97460R	BIND HEAD TAPPING SCREW-B	4.0X8 MFZN2W3	Bタイト+BIND		20 01
200	--	CENTER FRAME L BR	LEFT	センターフレームLB	(WM45470)	
210	WE97460R	BIND HEAD TAPPING SCREW-B	4.0X8 MFZN2W3	Bタイト+BIND		5 01
220	--	CENTER FRAME R	RIGHT	センターフレームR	(WK79280)	
230	WE97460R	BIND HEAD TAPPING SCREW-B	4.0X8 MFZN2W3	Bタイト+BIND		5 01
240	--	CENTER FRAME R BR	RIGHT	センターフレームRB	(WM45490)	
250	WE97460R	BIND HEAD TAPPING SCREW-B	4.0X8 MFZN2W3	Bタイト+BIND		5 01
* 260	WK797500	FRONT PAD 32		フロントパッド加工品		
270	WE97230R	BIND HEAD TAPPING SCREW-B	4.0X10 MFZN2B3	Bタイト+BIND		12 01
* 280	WK634100	CIRCUIT BOARD	PHONES	P H O N E S シ ー ト		
290	WE774100	BOND HEAD TAPPING SCREW-B	3.0X8 MFZN2B3	Bタイト+BOND		2 01
* 300	WM455100	SIDE PANEL	LEFT	サイドパネルL塗装		
310	WE97230R	BIND HEAD TAPPING SCREW-B	4.0X10 MFZN2B3	Bタイト+BIND		6 01
* 320	WM455200	SIDE PANEL	RIGHT	サイドパネルR塗装		
330	WE97230R	BIND HEAD TAPPING SCREW-B	4.0X10 MFZN2B3	Bタイト+BIND		6 01
* 340	WM538000	JUMPER WIRE	16P-60L	ジャンパーワイヤー		3
350	WM538100	JUMPER WIRE	6P-60L	ジャンパーワイヤー		3
* 360	CB550910	CLOTH TAPE	570F 30m ROLL W=20	アセテートクロステーブ		10

*: New Parts

RANK: Japan only

BOTTOM ASSEMBLY 24 (ボトム Ass'y24) (IM8-24)

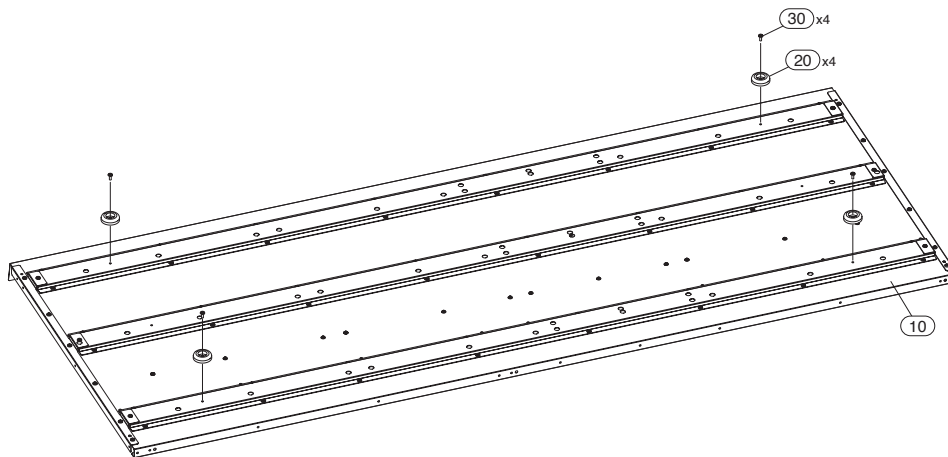


REF NO.	PART NO.	DESCRIPTION	部 品 名	REMARKS	QTY	RANK
		BOTTOM ASSEMBLY 24		ボトム A s s ' y 2 4		
	--	BOTTOM ASSEMBLY 24		ボトム A s s ' y 2 4	IM8-24	
10	--	BOTTOM CASE UNIT 24		ボトムユニット 2 4	(WK78900)	
12	--	BOTTOM SHIELD		ボトムシールド	(WN71540)	
14	WE97460R	BIND HEAD TAPPING SCREW-B	4.0X8 MFZN2W3	B タイト + B I N D	(WN59580)	4 01
* 20	WJ986500	CIRCUIT BOARD	SUM	S U M シ ー ト		
30	WE774000	BIND HEAD SCREW	3.0X6 MFZN2W3	小ネジ + B I N D		9 01
* 40	WK592200	CIRCUIT BOARD	BUS1	B U S 1 シ ー ト		
50	WE774000	BIND HEAD SCREW	3.0X6 MFZN2W3	小ネジ + B I N D		6 01
* 60	WK592300	CIRCUIT BOARD	BUS2L	B U S 2 L シ ー ト		
70	WE774000	BIND HEAD SCREW	3.0X6 MFZN2W3	小ネジ + B I N D		4 01
* 80	WK592400	CIRCUIT BOARD	BUS2R	B U S 2 R シ ー ト		
90	WE774000	BIND HEAD SCREW	3.0X6 MFZN2W3	小ネジ + B I N D		4 01
* 140	WM457300	LOCKING CLAMP	RLCT-20V0 TKK	ロッキングクランプ		6
150	--	EARTH PLATE		アースプレート	(WK79410)	3
160	--	INSULATING SHEET	40 55 0.5	絶縁シート	(WN16790)	3
170	WF10580R	BIND HEAD SCREW	4.0X6 MFZN2W3	小ネジ + B I N D		20 01
172	--	EARTH PLATE SUM		アースプレートSUM	(WN53560)	
174	WF10580R	BIND HEAD SCREW	4.0X6 MFZN2W3	小ネジ + B I N D		6 01
180	--	CENTER FRAME ASSEMBLY		センターフレーム加工	(WK79240)	3
190	WE97460R	BIND HEAD TAPPING SCREW-B	4.0X8 MFZN2W3	B タイト + B I N D		15 01
200	--	CENTER FRAME LB	LEFT	センターフレームLB	(WM45470)	
210	WE97460R	BIND HEAD TAPPING SCREW-B	4.0X8 MFZN2W3	B タイト + B I N D		5 01
220	--	CENTER FRAME R	RIGHT	センターフレームR	(WK79280)	
230	WE97460R	BIND HEAD TAPPING SCREW-B	4.0X8 MFZN2W3	B タイト + B I N D		5 01
240	--	CENTER FRAME RB	RIGHT	センターフレームRB	(WM45490)	
250	WE97460R	BIND HEAD TAPPING SCREW-B	4.0X8 MFZN2W3	B タイト + B I N D		5 01
* 260	WK797600	FRONT PAD 24		フロントパッド加工品		
270	WE97230R	BIND HEAD TAPPING SCREW-B	4.0X10 MFZN2B3	B タイト + B I N D		10 01
* 280	WK634100	CIRCUIT BOARD	PHONES	P H O N E S シ ー ト		
290	WE774100	BOND HEAD TAPPING SCREW-B	3.0X8 MFZN2B3	B タイト + B O N D		2 01
* 300	WM455100	SIDE PANEL	LEFT	サイドパネルL塗装		
310	WE97230R	BIND HEAD TAPPING SCREW-B	4.0X10 MFZN2B3	B タイト + B I N D		6 01
* 320	WM455200	SIDE PANEL	RIGHT	サイドパネルR塗装		
330	WE97230R	BIND HEAD TAPPING SCREW-B	4.0X10 MFZN2B3	B タイト + B I N D		6 01
* 340	WM538000	JUMPER WIRE	16P-60L	ジャンパーワイヤー		3
* 350	WM538100	JUMPER WIRE	6P-60L	ジャンパーワイヤー		3
360	CB550910	CLOTH TAPE	570F 30m ROLL W=20	アセテートクロステーブ		10

*: New Parts

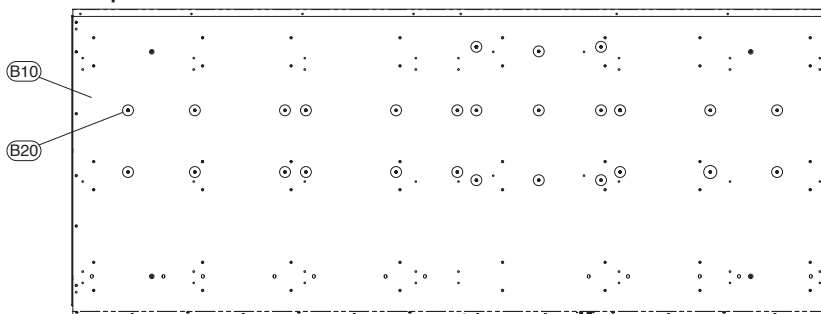
RANK: Japan only

■ BOTTOM CASE UNIT 40 (ボトムユニット 40) (IM8-40)

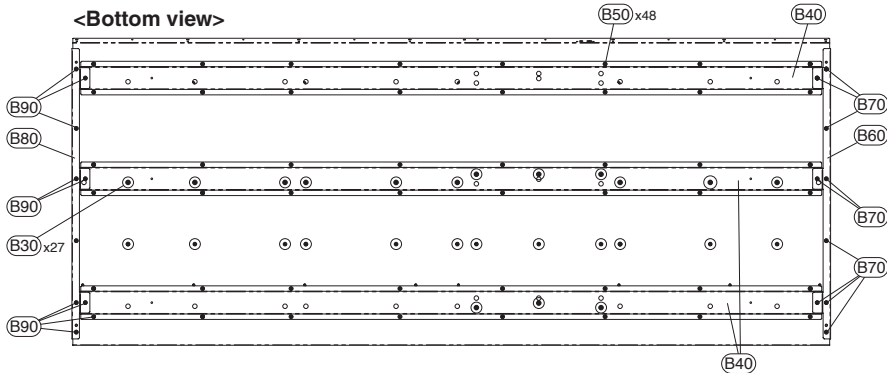


⑩ BOTTOM CASE ASSEMBLY 40 (ボトムケース加工40)

<Top view>



<Bottom view>

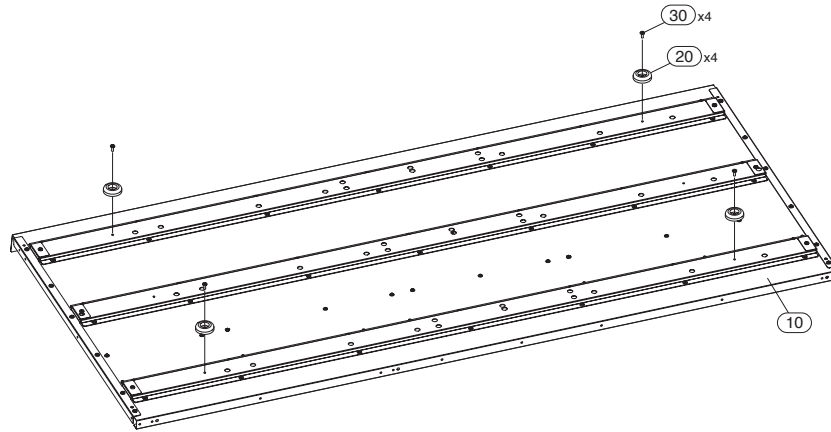


REF NO.	PART NO.	DESCRIPTION		部 品 名	REMARKS	QTY	RANK
	--	BOTTOM CASE UNIT 40		ボトムユニット 40	IM8-40		
	--	BOTTOM CASE UNIT 40		ボトムユニット 40	(WN71520)		
* 10	WK789100	BOTTOM CASE ASSEMBLY 40		ボトムケース加工 40			
20	VI235200	FOOT		スベリ座		4	
30	WE97230R	BIND HEAD TAPPING SCREW-B	4.0X10 MFZN2B3	Bタイト+BIND		4	01
* B10	WK789100	BOTTOM CASE ASSEMBLY 40		ボトムケース加工 40			
* B20	WK789500	BOTTOM CASE 40		ボトムケース 40			
* B30	WM451800	HEXAGON SPACER	L=16	6角スペーサー L16		27	
B30	WE968100	BIND HEAD SCREW	3.0X8 MFZN2W3 SP	小ネジ+BIND		27	
B40	--	BOTTOM REINFORCEMENT		ボトム補強金具 40	(WK78980)	3	
B50	WE97460R	BIND HEAD TAPPING SCREW-B	4.0X8 MFZN2W3	Bタイト+BIND		48	01
B60	--	BOTTOM SIDE FITTING R	RIGHT	ボトムサイド金具 R	(WM45360)		
B70	WE97460R	BIND HEAD TAPPING SCREW-B	4.0X8 MFZN2W3	Bタイト+BIND		9	01
B80	--	BOTTOM SIDE FITTING L	LEFT	ボトムサイド金具 L	(WM45440)		
B90	WE97460R	BIND HEAD TAPPING SCREW-B	4.0X8 MFZN2W3	Bタイト+BIND		9	01

*: New Parts

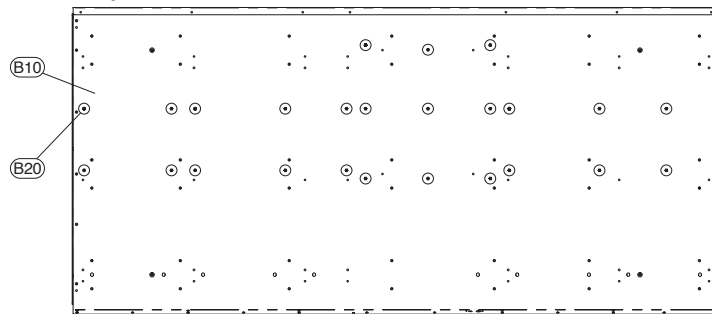
RANK: Japan only

■ BOTTOM CASE UNIT 32 (ボトムユニット 32) (IM8-32)

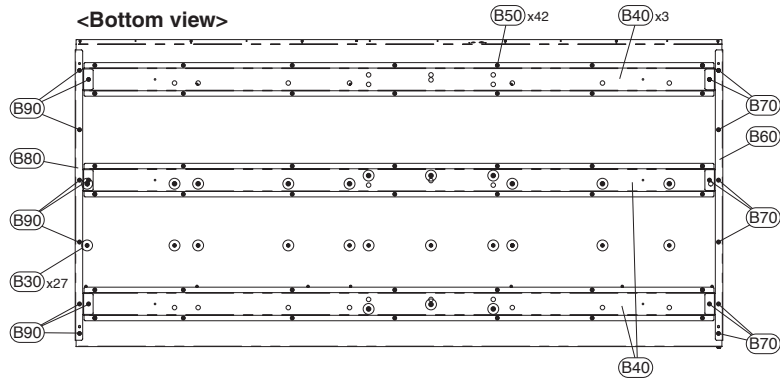


10 BOTTOM CASE ASSEMBLY 32 (ボトムケース加工32)

<Top view>



<Bottom view>

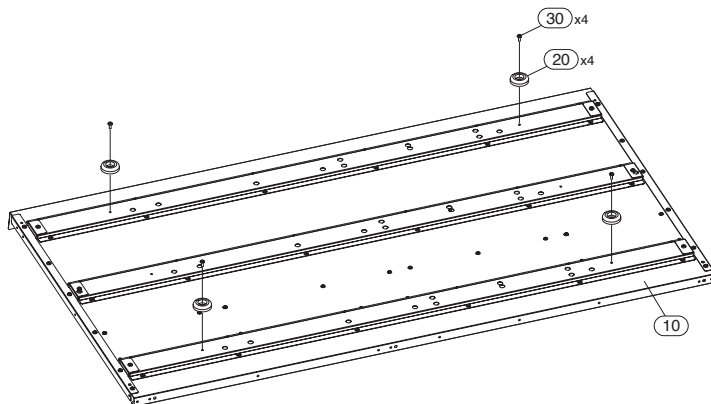


REF NO.	PART NO.	DESCRIPTION		部 品 名	REMARKS	QTY	RANK
		BOTTOM CASE UNIT 32		ボトムユニット 3 2	IM8-32		
	--	BOTTOM CASE UNIT 32		ボトムユニット 3 2	(WN71530)		
* 10	WK789200	BOTTOM CASE ASSEMBLY 32		ボトムケース加工 3 2			
20	VI235200	FOOT		スベリ座		4	
30	WE97230R	BIND HEAD TAPPING SCREW-B	4.0X10 MFZN2B3	Bタイト+BIND		4	01
* B10	WK789200	BOTTOM CASE ASSEMBLY 32		ボトムケース加工 3 2			
* B20	WK789600	BOTTOM CASE 32		ボトムケース 3 2			
* B30	WM451800	HEXAGON SPACER	L=16	六角スペーサー-L 1 6		25	
B30	WE968100	BIND HEAD SCREW	3.0X8 MFZN2W3 SP	小ネジ+BIND		25	
B40	--	BOTTOM REINFORCEMENT		ボトム補強金具 3 2	(WK79000)	3	
B50	WE97460R	BIND HEAD TAPPING SCREW-B	4.0X8 MFZN2W3	Bタイト+BIND		42	01
B60	--	BOTTOM SIDE FITTING R	RIGHT	ボトムサイド金具 R	(WM45360)		
B70	WE97460R	BIND HEAD TAPPING SCREW-B	4.0X8 MFZN2W3	Bタイト+BIND		9	01
B80	--	BOTTOM SIDE FITTING L	LEFT	ボトムサイド金具 L	(WM45440)		
B90	WE97460R	BIND HEAD TAPPING SCREW-B	4.0X8 MFZN2W3	Bタイト+BIND		9	01

*: New Parts

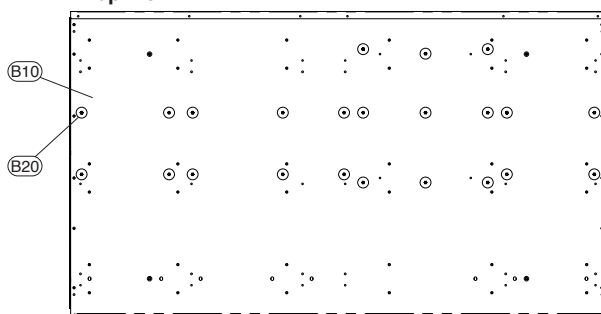
RANK: Japan only

■ BOTTOM CASE UNIT 24 (ボトムユニット 24) (IM8-24)

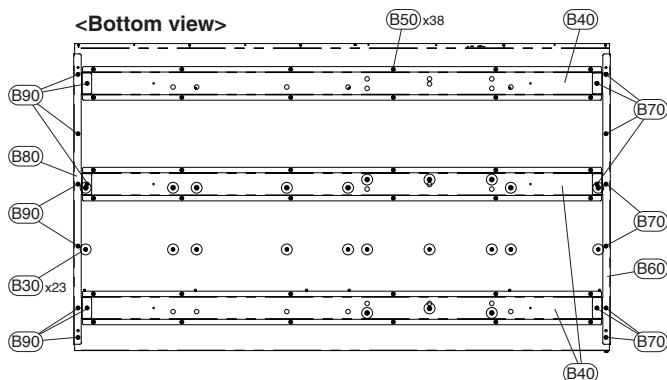


⑩ BOTTOM CASE ASSEMBLY 24 (ボトムケース加工24)

<Top view>



<Bottom view>

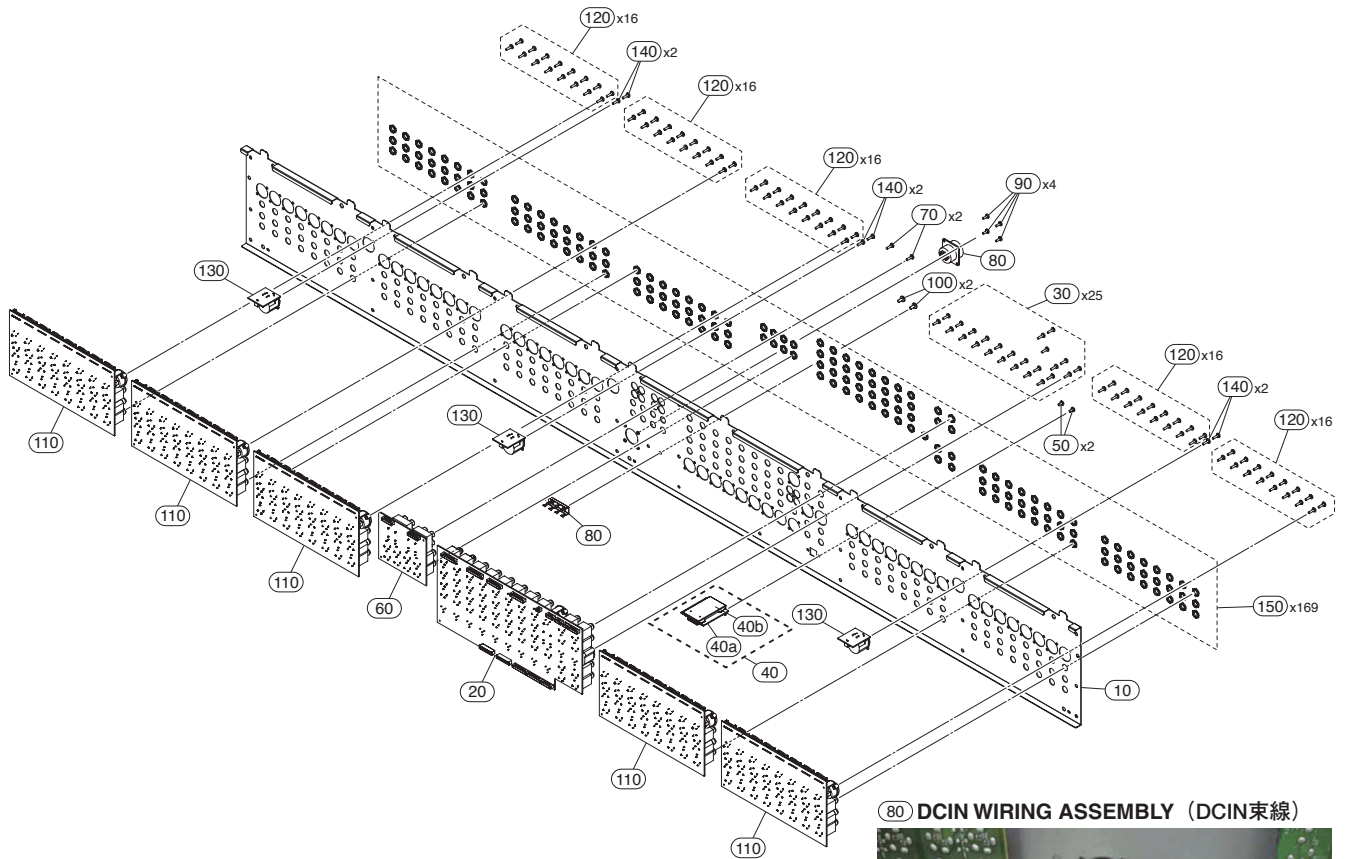


REF NO.	PART NO.	DESCRIPTION		部 品 名	REMARKS	QTY	RANK
		BOTTOM CASE UNIT 24		ボトムユニット 2 4	IM8-24		
	--	BOTTOM CASE UNIT 24		ボトムユニット 2 4	(WN71540)		
* 10	WK789300	BOTTOM CASE ASSEMBLY 24		ボトムケース加工 2 4			
20	VI235200	FOOT		スベリ座		4	
30	WE97230R	BIND HEAD TAPPING SCREW-B	4.0X10 MFZN2B3	Bタイト+BIND		4	01
* B10	WK789300	BOTTOM CASE ASSEMBLY 24		ボトムケース加工 2 4			
* B20	WK789700	BOTTOM CASE 24		ボトムケース 2 4			
* B20	WM451800	HEXAGON SPACER	L=16	六角スペーサー L 1 6		23	
B30	WE968100	BIND HEAD SCREW	3.0X8 MFZN2W3 SP	小ネジ+BIND		23	
B40	--	BOTTOM REINFORCEMENT		ボトム補強金具 2 4	(WK79030)	3	
B50	WE97460R	BIND HEAD TAPPING SCREW-B	4.0X8 MFZN2W3	Bタイト+BIND		36	01
B60	--	BOTTOM SIDE FITTING R	RIGHT	ボトムサイド金具 R	(WM45360)		
B70	WE97460R	BIND HEAD TAPPING SCREW-B	4.0X8 MFZN2W3	Bタイト+BIND		9	01
B80	--	BOTTOM SIDE FITTING L	LEFT	ボトムサイド金具 L	(WM45440)		
B90	WE97460R	BIND HEAD TAPPING SCREW-B	4.0X8 MFZN2W3	Bタイト+BIND		9	01

*: New Parts

RANK: Japan only

REAR ASSEMBLY 40 (リア Ass'y 40) (IM8-40)



80 DCIN WIRING ASSEMBLY (DCIN束線)

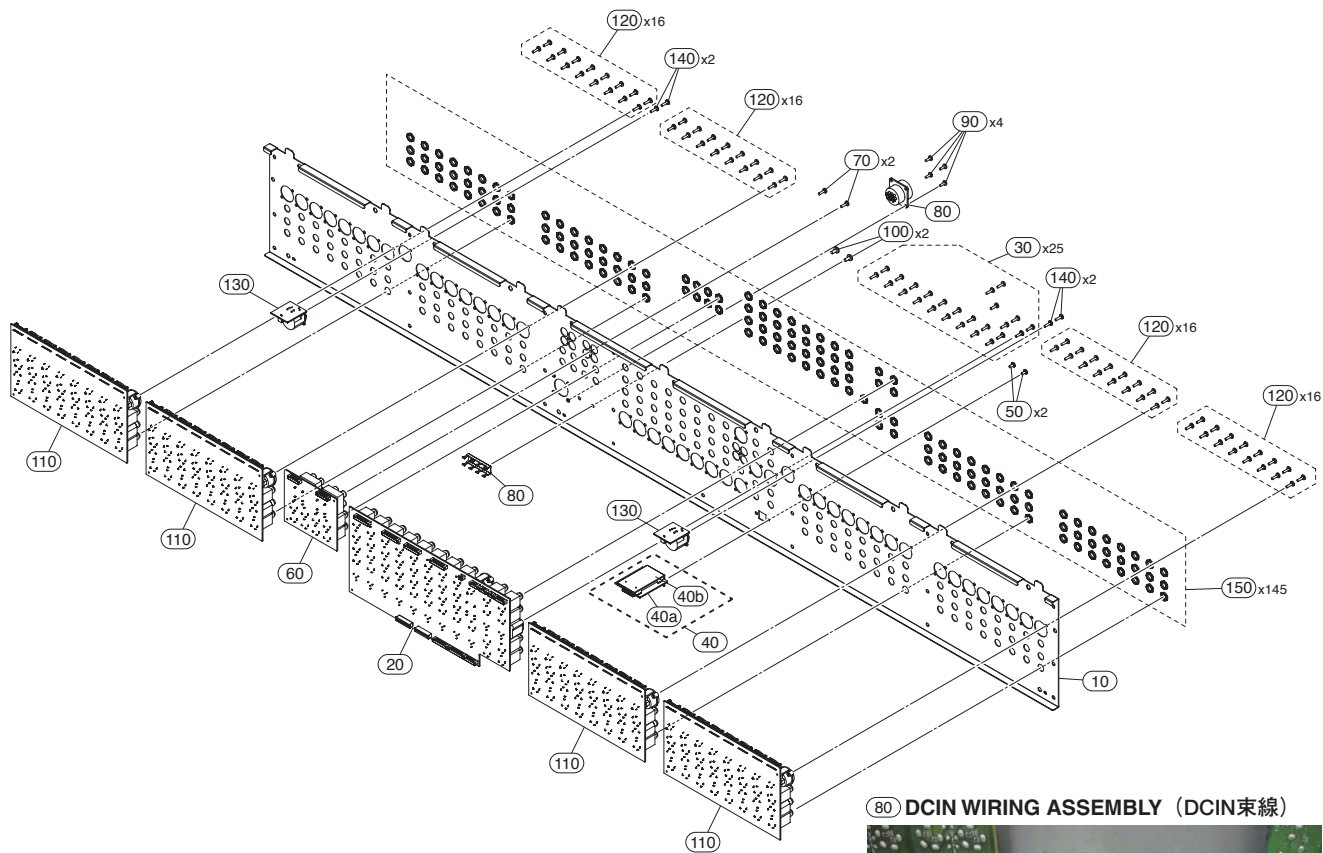


REF NO.	PART NO.	DESCRIPTION	部 品 名	REMARKS	QTY	RANK
	--	REAR ASSEMBLY 40	リア Ass'y 40	IM8-40		
	--	REAR ASSEMBLY 40	リア Ass'y 40	(WK80070)		
* 10	WK801100	REAR PANEL 40	リアパネル印刷上40			
* 20	WJ986200	CIRCUIT BOARD	MASJK			
			M A S J K シ ー ト			
30	WE774400	BIND HEAD TAPPING SCREW-B	3.0X8 MFZN2B3	B タ イ ト + B I N D	25	01
40	--	USB ASSEMBLY	PA 8E79	U S B A s s ' y		
40a	WG336000	CIRCUIT BOARD	USB	シ ー ル ド U S B		
40b	--	SHIELD, USB	8.00E+79	シ ー ル ド U S B		
				(WG20810)		
50	WE774400	BIND HEAD TAPPING SCREW-B	3.0X8 MFZN2B3	B タ イ ト + B I N D	2	01
* 60	WJ985900	CIRCUIT BOARD	STJK	S T J K シ ー ト		
70	WE774400	BIND HEAD TAPPING SCREW-B	3.0X8 MFZN2B3	B タ イ ト + B I N D	2	01
80	--	WIRING ASSEMBLY	DCIN	束 線		
				(WM53690)		
90	WE774400	BIND HEAD TAPPING SCREW-B	3.0X8 MFZN2B3	B タ イ ト + B I N D	4	01
100	WE99710R	BIND HEAD SCREW	4.0X8 MFZN2B3 IT	小 ネ ジ + B I N D	2	01
* 110	WJ985600	CIRCUIT BOARD	INJK	I N J K シ ー ト	5	
120	WE774400	BIND HEAD TAPPING SCREW-B	3.0X8 MFZN2B3	B タ イ ト + B I N D	80	01
* 130	WK601500	CIRCUIT BOARD	LAMP	L A M P シ ー ト	3	
140	WE774400	BIND HEAD TAPPING SCREW-B	3.0X8 MFZN2B3	B タ イ ト + B I N D	6	01
150	VP034300	HEXAGON NUT	M9.0X12X2 MFNI33G	特 殊 六 角 ナ ッ ト	169	01

*: New Parts

RANK: Japan only

REAR ASSEMBLY 32 (リア Ass'y 32) (IM8-32)



80 DCIN WIRING ASSEMBLY (DCIN束線)

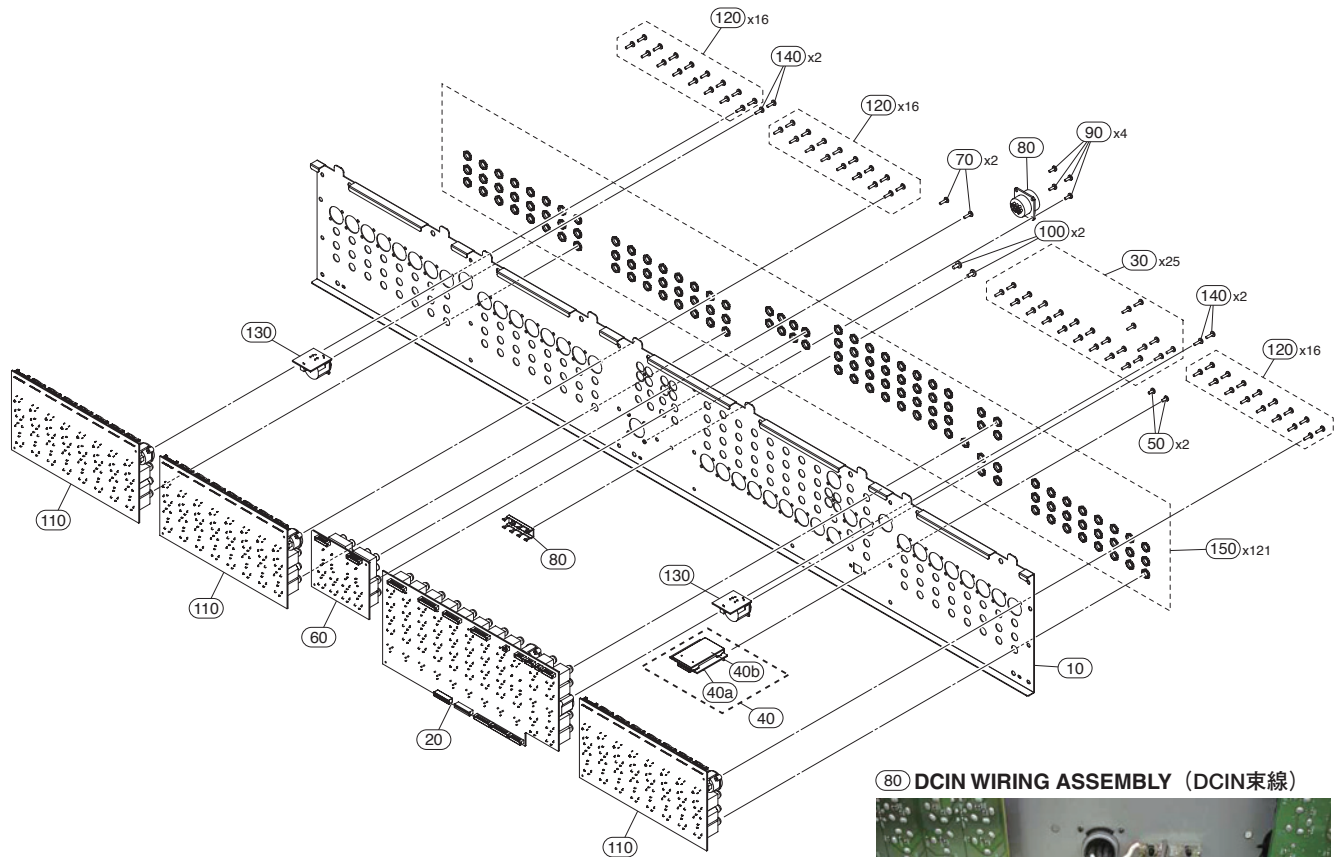


REF NO.	PART NO.	DESCRIPTION		部 品 名	REMARKS	QTY	RANK
	--	REAR ASSEMBLY 32		リア Ass'y 32	IM8-32		
	--	REAR ASSEMBLY 32		リア Ass'y 32	(WK80080)		
* 10	WK801200	REAR PANEL 32		リアパネル印刷上32			
* 20	WJ986200	CIRCUIT BOARD	MASJK	M A S J K シート			
30	WE774400	BIND HEAD TAPPING SCREW-B	3.0X8 MFZN2B3	Bタイト+BIND		25	01
40	--	USB ASSEMBLY		U S B Ass'y	(WG64450)		
40a	WG336000	CIRCUIT BOARD	USB	U S B シート			
40b	--	SHIELD USB		シールドUSB	(WG20810)		
50	WE774400	BIND HEAD TAPPING SCREW-B	3.0X8 MFZN2B3	Bタイト+BIND		2	01
* 60	WJ985900	CIRCUIT BOARD	STJK	S T J K シート			
70	WE774400	BIND HEAD TAPPING SCREW-B	3.0X8 MFZN2B3	Bタイト+BIND		2	01
80	--	WIRING ASSEMBLY		DCIN束線	(WM53690)		
90	WE774400	BIND HEAD TAPPING SCREW-B	3.0X8 MFZN2B3	Bタイト+BIND		4	01
100	WE99710R	BIND HEAD SCREW	4.0X8 MFZN2B3 IT	小ネジ+BIND		2	01
* 110	WJ985600	CIRCUIT BOARD	INJK	I N J K シート		4	
120	WE774400	BIND HEAD TAPPING SCREW-B	3.0X8 MFZN2B3	Bタイト+BIND		64	01
* 130	WK601500	CIRCUIT BOARD	LAMP	L A M P シート		2	
140	WE774400	BIND HEAD TAPPING SCREW-B	3.0X8 MFZN2B3	Bタイト+BIND		4	01
150	VP034300	HEXAGON NUT	M9.0X12X2 MFNI33G	特殊六角ナット		145	01

*: New Parts

RANK: Japan only

REAR ASSEMBLY 24 (リア Ass'y 24) (IM8-24)



(80) DCIN WIRING ASSEMBLY (DCIN束線)

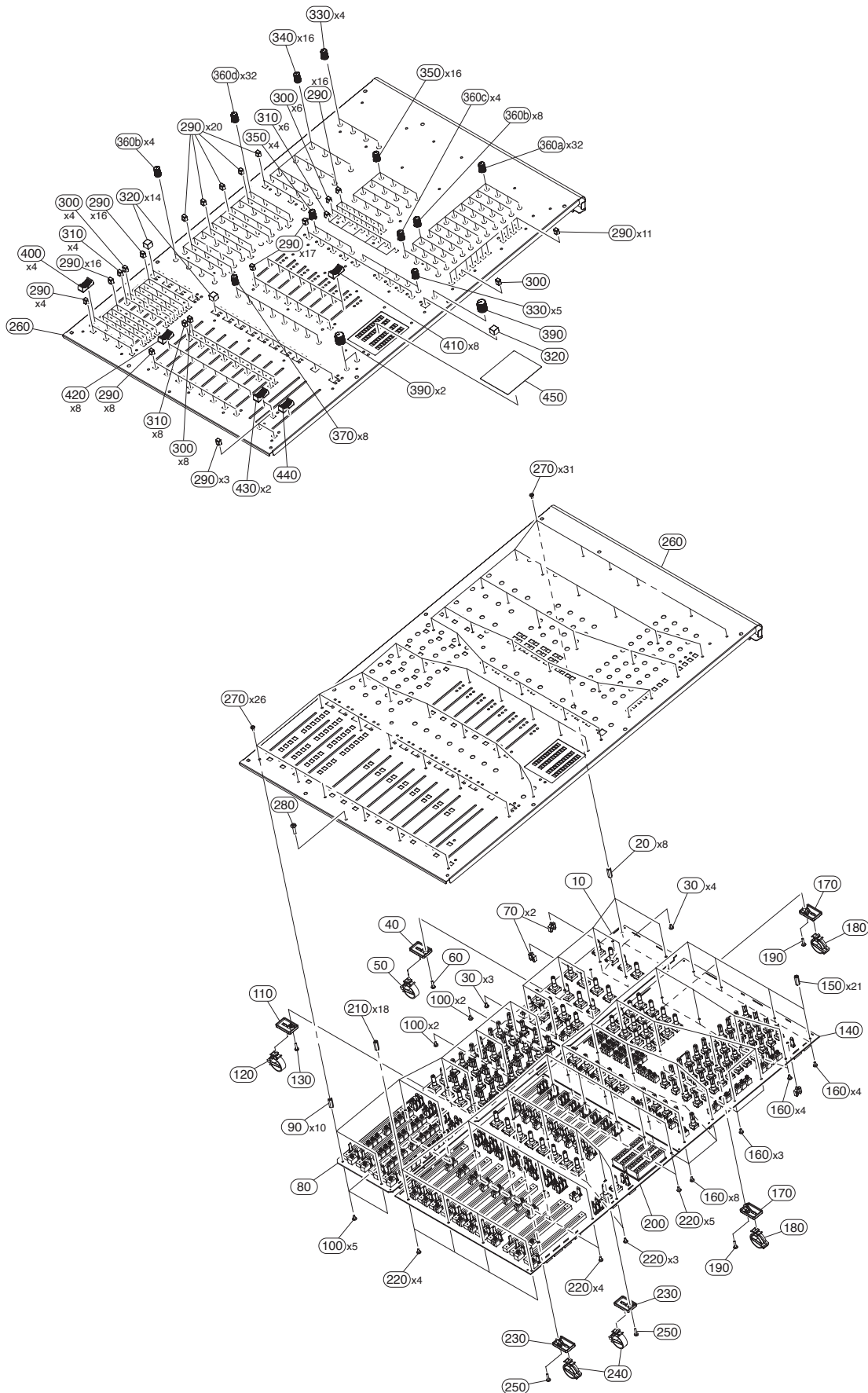


REF NO.	PART NO.	DESCRIPTION	部 品 名	REMARKS	QTY	RANK
	--	REAR ASSEMBLY 24	リア Ass'y 24	IM8-24		
	--	REAR ASSEMBLY 24	リア Ass'y 24	(WK80090)		
* 10	WK801300	REAR PANEL 24	リアパネル印刷上24			
* 20	WJ986200	CIRCUIT BOARD	MASJK			
			MASJKシート			
			Bタイト+BIND		25	01
			3.0X8 MFZN2B3			
			USB Ass'y	(WG64450)		
			USBシート			
			シールドUSB	(WG20810)		
			Bタイト+BIND		2	01
			3.0X8 MFZN2B3			
			STJK			
			S T J K シート			
			Bタイト+BIND		2	01
			3.0X8 MFZN2B3			
			DCIN	(WM53690)		
			束線			
			Bタイト+BIND		4	01
			3.0X8 MFZN2B3			
			Bタイト+BIND		2	01
			4.0X8 MFZN2B3 IT			
			小ネジ+BIND			
			INJK		3	
			INJKシート			
			Bタイト+BIND		48	01
			3.0X8 MFZN2B3			
			LAMP		2	
			LAMPシート			
			Bタイト+BIND		4	01
			3.0X8 MFZN2B3			
			M9.0X12X2 MFNI33G		121	01
			特殊六角ナット			

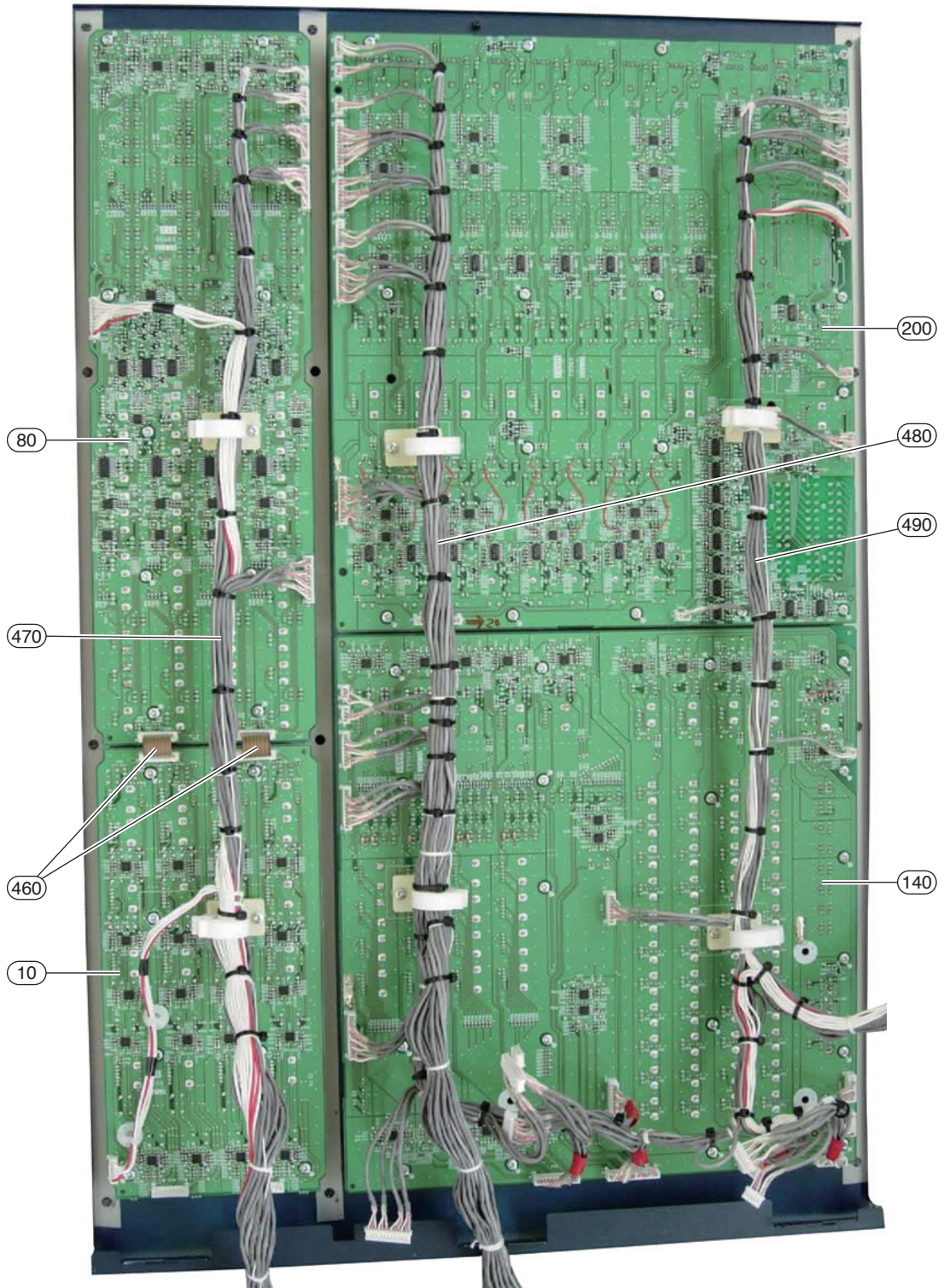
*: New Parts

RANK: Japan only

PANEL ASSEMBLY, MASTER (パネル MAS Ass'y)



• PANEL ASSEMBLY, MASTER 40 (パネルMAS40Ass'y)

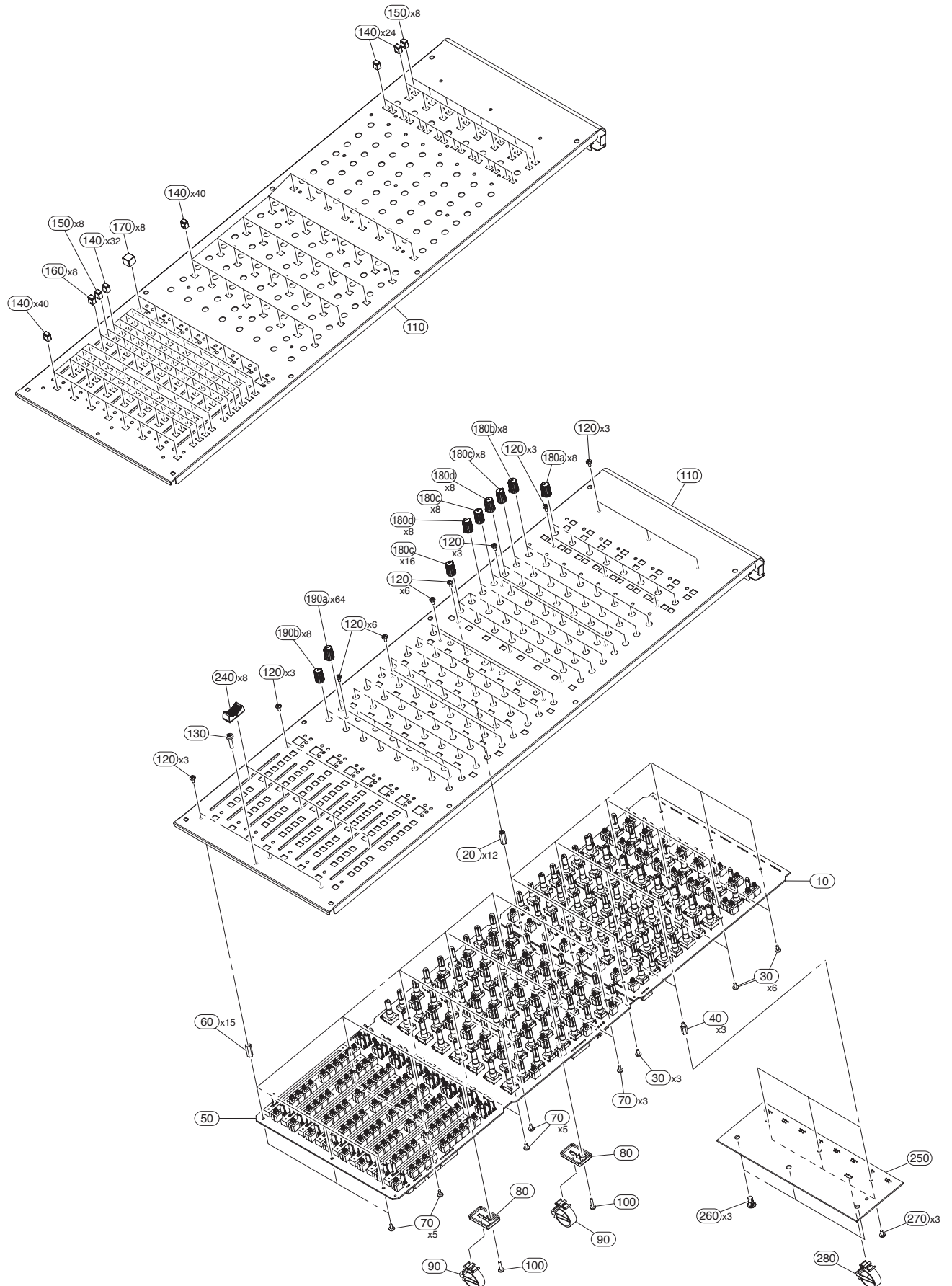


REF NO.	PART NO.	DESCRIPTION	部 品 名	REMARKS	QTY	RANK
		PANEL ASSEMBLY, MASTER 40	パネルMAS40 Ass'y	IM8-40		
		PANEL ASSEMBLY, MASTER 32	パネルMAS32 Ass'y	IM8-32		
		PANEL ASSEMBLY, MASTER 24	パネルMAS24 Ass'y	IM8-24		
	--	PANEL ASSEMBLY, MASTER 40	パネルMAS40 Ass'y	IM8-40	(WK80370)	
	--	PANEL ASSEMBLY, MASTER 32	パネルMAS32 Ass'y	IM8-32	(WM51910)	
	--	PANEL ASSEMBLY, MASTER 24	パネルMAS24 Ass'y	IM8-24	(WM51920)	
* 10	WJ986000	CIRCUIT BOARD	ST1 S T 1 シ ー ト			
* 20	WM451800	HEXAGON SPACER	L=16 6 角 ス ペ ー サ ー L 1 6		8	
* 30	WE774000	BIND HEAD SCREW	3.0X6 MFZN2W3 小 ネ ジ + B I N D		7	01
* 40	WM957700	SPACER CLAMP	ス ペ ー サ C L A M P			
* 50	WM457300	LOCKING CLAMP	RLCT-20V0 TKK ロ ッ キ ン グ ク ラ ン プ			
* 60	WE953000	BIND HEAD SCREW	3.0X12 MFZN2W3 小 ネ ジ + B I N D			
* 70	VR641100	MINI CLAMP	UAMS-09-0 ミ ニ ク ラ ン プ		2	
* 80	WJ986100	CIRCUIT BOARD	ST2 S T 2 シ ー ト			
* 90	WM451800	HEXAGON SPACER	L=16 6 角 ス ペ ー サ ー L 1 6		10	
* 100	WE774000	BIND HEAD SCREW	3.0X6 MFZN2W3 小 ネ ジ + B I N D		9	01
* 110	WM957700	SPACER CLAMP	ス ペ ー サ C L A M P			
* 120	WM457300	LOCKING CLAMP	RLCT-20V0 TKK ロ ッ キ ン グ ク ラ ン プ			
* 130	WE953000	BIND HEAD SCREW	3.0X12 MFZN2W3 小 ネ ジ + B I N D			
* 140	WJ986300	CIRCUIT BOARD	MAS1 M A S 1 シ ー ト			
* 150	WM451800	HEXAGON SPACER	L=16 6 角 ス ペ ー サ ー L 1 6		21	
* 160	WE774000	BIND HEAD SCREW	3.0X6 MFZN2W3 小 ネ ジ + B I N D		19	01
* 170	WM957700	SPACER CLAMP	ス ペ ー サ C L A M P		2	
* 180	WM457300	LOCKING CLAMP	RLCT-20V0 TKK ロ ッ キ ン グ ク ラ ン プ		2	
* 190	WE953000	BIND HEAD SCREW	3.0X12 MFZN2W3 小 ネ ジ + B I N D		2	
* 200	WJ986400	CIRCUIT BOARD	MAS2 M A S 2 シ ー ト			
* 210	WM451800	HEXAGON SPACER	L=16 6 角 ス ペ ー サ ー L 1 6		18	
* 220	WE774000	BIND HEAD SCREW	3.0X6 MFZN2W3 小 ネ ジ + B I N D		16	01
* 230	WM957700	SPACER CLAMP	ス ペ ー サ C L A M P		2	
* 240	WM457300	LOCKING CLAMP	RLCT-20V0 TKK ロ ッ キ ン グ ク ラ ン プ		2	
* 250	WE953000	BIND HEAD SCREW	3.0X12 MFZN2W3 小 ネ ジ + B I N D		2	
* 260	WK826400	PANEL, MASTER 40	パ ネ ル M A S 4 0 印 刷	IM8-40		
* 260	WK826900	PANEL, MASTER 32	パ ネ ル M A S 3 2 印 刷	IM8-32		
* 260	WK827000	PANEL, MASTER 24	パ ネ ル M A S 2 4 印 刷	IM8-24		
* 270	WE878300	BIND HEAD SCREW	3.0X6 MFZN2B3 小 ネ ジ + B I N D		57	01
* 280	WE968600	BIND HEAD SCREW	4.0X16 MFZN2B3 小 ネ ジ + B I N D			01
* 290	WF776200	PUSH BUTTON	D-GRAY/WHITE ボ タ ン H P F		111	01
* 300	WJ614100	BUTTON, HPF ABS	RED ボ タ ン H P F R E D		19	01
* 310	WM448600	BUTTON, HPF	YELLOW/WHITE ボ タ ン H P F		18	
* 320	WD34630R	PUSH BUTTON	D-GRAY TAP ボ タ ン T A P		15	01
* 330	WK802300	VOLUME KNOB, SMALL	WHITE/D-GRAY ノ ブ V R 小		9	
* 340	WM447400	VOLUME KNOB, SMALL	D-GREEN/D-GRAY ノ ブ V R 小		16	
* 350	WM447500	VOLUME KNOB, SMALL	BLUE/D-GRAY ノ ブ V R 小		20	
* 360	--	KNOB SET, MASTER	PA ノ ブ ユ ニ ッ ト M A S	(WN46400)		
* 360a	WM448000	VOLUME KNOB, SMALL	L-GRAY/D-GRAY ノ ブ V R 小		32	
* 360b	WM447800	VOLUME KNOB, SMALL	RED/D-GRAY ノ ブ V R 小		12	
* 360c	WM526500	VOLUME KNOB, SMALL	OCHER/D-GRAY ノ ブ V R 小		4	
* 360d	WM447500	VOLUME KNOB, SMALL	BLUE/D-GRAY ノ ブ V R 小		32	
* 370	WM447800	VOLUME KNOB, SMALL	RED/D-GRAY ノ ブ V R 小		8	
* 390	WH478900	KNOB, LEVEL	WHITE/M-GRAY, MG2 ノ ブ L E V E L		3	01
* 400	WJ080800	FADER KNOB	BLACK/L-GRAY ノ ブ F A D E R		4	
* 410	WM449800	FADER KNOB	BLACK/BLUE ノ ブ F A D E R		8	
* 420	WJ080900	KNOB FADER	RED/D-GRAY ノ ブ F A D E R		8	
* 430	WJ081000	FADER KNOB	WHITE/RED ノ ブ F A D E R		2	
* 440	WM449900	FADER KNOB	BLACK/YELLOW ノ ブ F A D E R			
* 450	WK826700	WINDOW LEVEL	窓 レ ベ ル 印 刷 上 リ			
* 460	WM537800	JUMPER WIRE	8P-50L ジャンパーワイヤー		2	
* 470	--	WIRING ASSEMBLY	INST 束	(WM53710)		
* 480	--	WIRING ASSEMBLY	MASL1 束	(WM53720)		
* 490	--	WIRING ASSEMBLY	MASR1 束	(WM53740)		

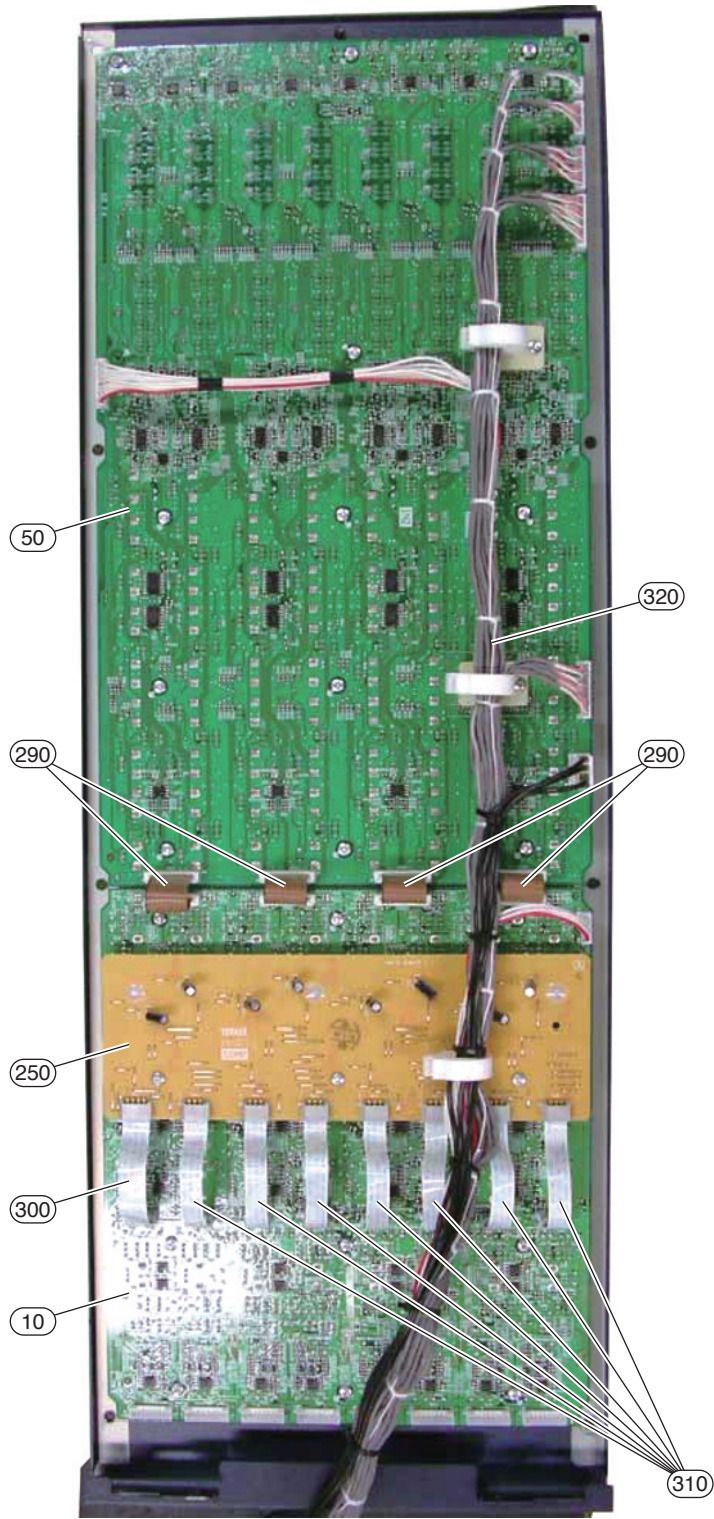
*: New Parts

RANK: Japan only

PANEL ASSEMBLY, IN8 (パネル IN8 Ass'y)



• PANEL ASSEMBLY, IN8 (パネルIN8 Ass'y)



REF NO.	PART NO.	DESCRIPTION	部 品 名	REMARKS	QTY	RANK
	--	PANEL ASSEMBLY, IN8	パネル I N 8 A s s ' y	IM8-40/IM8-32/IM8-24		
	--	PANEL ASSEMBLY, IN8A	パネル I N 8 A A s s ' y	(WK80210)		
	--	PANEL ASSEMBLY, IN8B	パネル I N 8 B A s s ' y	(WM51480)		
	--	PANEL ASSEMBLY, IN8C	パネル I N 8 C A s s ' y	(WM51490)		
	--	PANEL ASSEMBLY, IN8D	パネル I N 8 D A s s ' y	IM8-40/IM8-32 (WM51500)		
	--	PANEL ASSEMBLY, IN8E	パネル I N 8 E A s s ' y	IM8-40 (WM51510)		
* 10	WJ985700	CIRCUIT BOARD	IN1 I N 1 シ ー ト			
* 20	WM451800	HEXAGON SPACER	L=16 6 角 ス ペ ー サ ー L 1 6		12	
* 30	WE774000	BIND HEAD SCREW	3.0X6 MFZN2W3 小 ネ ジ + B I N D		9	01
* 40	WM224800	HEXAGON SPACER	L=10 6 角 ス ペ ー サ ー L 1 0		3	
* 50	WJ985800	CIRCUIT BOARD	IN2 I N 2 シ ー ト			
* 60	WM451800	HEXAGON SPACER	L=16 6 角 ス ペ ー サ ー L 1 6		15	
* 70	WE774000	BIND HEAD SCREW	3.0X6 MFZN2W3 小 ネ ジ + B I N D		13	01
* 80	WM957700	SPACER CLAMP	ス ペ ー サ C L A M P		2	
* 90	WM457300	LOCKING CLAMP	RLCT-20V0 TKK ロ ッ キ ン グ ク ラ ン プ		2	
* 100	WE953000	BIND HEAD SCREW	3.0X12 MFZN2W3 小 ネ ジ + B I N D		2	
* 110	WK802700	TOP COVER, IN8A	ト ッ プ カ I N 8 A 印 刷	PANEL ASSEMBLY, IN8A		
* 110	WM516300	TOP COVER, IN8B	ト ッ プ カ I N 8 B 印 刷	PANEL ASSEMBLY, IN8B		
* 110	WM516500	TOP COVER, IN8C	ト ッ プ カ I N 8 C 印 刷	PANEL ASSEMBLY, IN8C		
* 110	WM516600	TOP COVER, IN8D	ト ッ プ カ I N 8 D 印 刷	IM8-40/IM8-32		
* 110	WM516700	TOP COVER, IN8E	ト ッ プ カ I N 8 E 印 刷	PANEL ASSEMBLY, IN8D IM8-40 PANEL ASSEMBLY, IN8E		
120	WE878300	BIND HEAD SCREW	3.0X6 MFZN2B3 小 ネ ジ + B I N D		27	01
130	WE968600	BIND HEAD SCREW	4.0X16 MFZN2B3 小 ネ ジ + B I N D		8	01
140	WF776200	PUSH BUTTON	D-GRAY/WHITE ボ タ ン H P F		136	01
150	WJ614100	BUTTON, HPF ABS	RED ボ タ ン H P F R E D		16	01
* 160	WM448600	BUTTON, HPF	YELLOW/WHITE ボ タ ン H P F		8	
170	WD34630R	PUSH BUTTON	D-GRAY TAP ボ タ ン T A P		8	01
180	--	KNOB SET, IN-1	ノ ブ ユ ニ ッ ト I N - 1	(WN46360)		
* 180a	WK802300	VOLUME KNOB, SMALL	WHITE/D-GRAY ノ ブ V R 小		8	
* 180b	WM447700	VOLUME KNOB, SMALL	YELLOW/D-GRAY ノ ブ V R 小		8	
* 180c	WM447400	VOLUME KNOB, SMALL	D-GREEN/D-GRAY ノ ブ V R 小		32	
* 180d	WM447900	VOLUME KNOB, SMALL	L-GREEN/D-GRAY ノ ブ V R 小		16	
190	--	KNOB SET, IN-2	ノ ブ ユ ニ ッ ト I N - 2	(WN46370)		
* 190a	WM447500	VOLUME KNOB, SMALL	BLUE/D-GRAY ノ ブ V R 小		64	
* 190b	WM447800	VOLUME KNOB, SMALL	RED/D-GRAY ノ ブ V R 小		8	
240	WJ080800	FADER KNOB	BLACK/L-GRAY ノ ブ F A D E R		8	
* 250	WK592000	CIRCUIT BOARD	COMP C O M P シ ー ト			
* 260	VR869300	CIRCUIT BOARD SPACER	KGPS-10RF カ ー ド ス ペ ー サ ー		3	
270	WE774000	BIND HEAD SCREW	3.0X6 MFZN2W3 小 ネ ジ + B I N D		3	01
* 280	WM457300	LOCKING CLAMP	RLCT-20V0 TKK ロ ッ キ ン グ ク ラ ン プ			
* 290	WP274400	JUMPER WIRE	12P-50L ジャンパーワイヤー		4	
* 300	WP030000	FFC CABLE	9P-60L F F C ケ ー ブ ル			
* 310	WP029900	FFC CABLE	7P-60L F F C ケ ー ブ ル		7	
320	--	WIRING ASSEMBLY	IN8 束 線	(WM53700)		

*: New Parts

RANK: Japan only

ELECTRICAL PARTS (電気部品)

BUS1 and BUS2L

REF NO.	PART NO.	DESCRIPTION	部 品 名	REMARKS	QTY	RANK
		ELECTRICAL PARTS	電 気 部 品	IM8-40/IM8-32/IM8-24		
*	WK592200	CIRCUIT BOARD	BUS1	B U S 1 シ ー ト (X8961C0)		
*	WK592300	CIRCUIT BOARD	BUS2L	B U S 2 L シ ー ト IM8-32/IM8-24 (X8962C0)		
*	WK592400	CIRCUIT BOARD	BUS2R	B U S 2 R シ ー ト IM8-24 (X8962C0)		
*	WK592500	CIRCUIT BOARD	BUS3	B U S 3 シ ー ト IM8-40 (X8963C0)		
*	WK592600	CIRCUIT BOARD	BUS4	B U S 4 シ ー ト IM8-40/IM8-32 (X9191C0)		
*	WK592000	CIRCUIT BOARD	COMP	C O M P シ ー ト (WM77170)(X8967C0)		
*	WJ985700	CIRCUIT BOARD	IN1	I N 1 シ ー ト (X8657D0)		
*	WJ985800	CIRCUIT BOARD	IN2	I N 2 シ ー ト (X8658E0)		
*	WJ985600	CIRCUIT BOARD	INJK	I N J K シ ー ト (X8656B0)		
*	WK601500	CIRCUIT BOARD	LAMP	L A M P シ ー ト (WK60160)(X8968B0)		
*	WJ986300	CIRCUIT BOARD	MAS1	M A S 1 シ ー ト (X8663C0)		
*	WJ986400	CIRCUIT BOARD	MAS2	M A S 2 シ ー ト (X8664C0)		
*	WJ986200	CIRCUIT BOARD	MASJK	M A S J K シ ー ト (X8662C0)		
*	WK634100	CIRCUIT BOARD	PHONES	P H O N E S シ ー ト (WK62990)(X8990D0)		
*	WJ986000	CIRCUIT BOARD	ST1	S T 1 シ ー ト (WK62990)(X8990D0)		
*	WJ986100	CIRCUIT BOARD	ST2	S T 2 シ ー ト (WK62990)(X8990D0)		
*	WJ985900	CIRCUIT BOARD	STJK	S T J K シ ー ト (WK62990)(X8990D0)		
*	WJ986500	CIRCUIT BOARD	SUM	S U M シ ー ト (X8665C0)		
*	WG336000	CIRCUIT BOARD	USB	U S B シ ー ト (WG33610)(X7196C0)		
	WK592200	CIRCUIT BOARD	BUS1	B U S 1 シ ー ト (X8961C0)		
C11	UU248470	ELECTROLYTIC CAPACITOR-FW	470.00 25.0V RX TP	ケ ミ コ ン F W		01
-14	UU248470	ELECTROLYTIC CAPACITOR-FW	470.00 25.0V RX TP	ケ ミ コ ン F W		01
CN11	VB390500	CONNECTOR BASE POST, TOP	PH 9P TE	ベ ー ス ポ ス ト		
CN12	VB39080R	CONNECTOR BASE POST, TOP	PH 12P TE	ベ ー ス ポ ス ト		01
CN13	VB39070R	CONNECTOR BASE POST, TOP	PH 11P TE	ベ ー ス ポ ス ト		01
CN14	VB390500	CONNECTOR BASE POST, TOP	PH 9P TE	ベ ー ス ポ ス ト		
CN15	VB38990R	CONNECTOR BASE POST, TOP	PH 3P TE	ベ ー ス ポ ス ト		01
CN16	VB39030R	CONNECTOR BASE POST, TOP	PH 7P TE	ベ ー ス ポ ス ト		01
CN17	VF28310R	CONNECTOR BASE POST, TOP	PH 13P TE	ベ ー ス ポ ス ト		01
CN18	LB93204R	CONNECTOR BASE POST, TOP	VH 4P TE	ベ ー ス ポ ス ト		01
CN19	VB38980R	CONNECTOR BASE POST, TOP	PH 2P TE	ベ ー ス ポ ス ト		01
CN21	VB390500	CONNECTOR BASE POST, TOP	PH 9P TE	ベ ー ス ポ ス ト		
CN22	VB39080R	CONNECTOR BASE POST, TOP	PH 12P TE	ベ ー ス ポ ス ト		01
CN23	VB39070R	CONNECTOR BASE POST, TOP	PH 11P TE	ベ ー ス ポ ス ト		01
CN24	VB390500	CONNECTOR BASE POST, TOP	PH 9P TE	ベ ー ス ポ ス ト		
CN25	VB38990R	CONNECTOR BASE POST, TOP	PH 3P TE	ベ ー ス ポ ス ト		01
CN26	VB39030R	CONNECTOR BASE POST, TOP	PH 7P TE	ベ ー ス ポ ス ト		01
CN27	VF28310R	CONNECTOR BASE POST, TOP	PH 13P TE	ベ ー ス ポ ス ト		01
CN401	VK217500	FJ CONNECTOR	FJ 12P	F J ー リ セ プ タ ク ル		
CN402	VK217500	FJ CONNECTOR	FJ 12P	F J ー リ セ プ タ ク ル		
CN403	VF72830R	CONNECTOR	52147 6P TE	ワ イ ヤ ー ト ラ ッ プ		01
CN404	VJ86160R	CONNECTOR	52147 16P TE	ワ イ ヤ ー ト ラ ッ プ		01
* CN601	WK536500	FJK CONNECTOR	FJK SERIES 12P	F J K コ ネ ク タ		
* CN602	WK536500	FJK CONNECTOR	FJK SERIES 12P	F J K コ ネ ク タ		
CN603	VF72830R	CONNECTOR	52147 6P TE	ワ イ ヤ ー ト ラ ッ プ		01
CN604	VJ86160R	CONNECTOR	52147 16P TE	ワ イ ヤ ー ト ラ ッ プ		01
K401	--	TERMINAL FITTINGS		タ ー ミ ナ ル 金 具 (WM04380)		
K402	--	TERMINAL FITTINGS		タ ー ミ ナ ル 金 具 (WM04380)		
K601	--	TERMINAL FITTINGS		タ ー ミ ナ ル 金 具 (WM04380)		
K602	--	TERMINAL FITTINGS		タ ー ミ ナ ル 金 具 (WM04380)		
	WK592300	CIRCUIT BOARD	BUS2L	B U S 2 L シ ー ト IM8-32/IM8-24 (X8962C0)		
C11	UU248470	ELECTROLYTIC CAPACITOR-FW	470.00 25.0V RX TP	ケ ミ コ ン F W		01
-14	UU248470	ELECTROLYTIC CAPACITOR-FW	470.00 25.0V RX TP	ケ ミ コ ン F W		01
CN11	VB390500	CONNECTOR BASE POST, TOP	PH 9P TE	ベ ー ス ポ ス ト		
CN12	VB39080R	CONNECTOR BASE POST, TOP	PH 12P TE	ベ ー ス ポ ス ト		01
CN13	VB39070R	CONNECTOR BASE POST, TOP	PH 11P TE	ベ ー ス ポ ス ト		01
CN14	VB390500	CONNECTOR BASE POST, TOP	PH 9P TE	ベ ー ス ポ ス ト		
CN15	VB38990R	CONNECTOR BASE POST, TOP	PH 3P TE	ベ ー ス ポ ス ト		01
CN16	VB39030R	CONNECTOR BASE POST, TOP	PH 7P TE	ベ ー ス ポ ス ト		01
CN17	VF28310R	CONNECTOR BASE POST, TOP	PH 13P TE	ベ ー ス ポ ス ト		01
CN18	LB93204R	CONNECTOR BASE POST, TOP	VH 4P TE	ベ ー ス ポ ス ト		01
CN19	VB38980R	CONNECTOR BASE POST, TOP	PH 2P TE	ベ ー ス ポ ス ト		01
* CN401	WK536500	FJK CONNECTOR	FJK SERIES 12P	F J K コ ネ ク タ		
* CN402	WK536500	FJK CONNECTOR	FJK SERIES 12P	F J K コ ネ ク タ		
CN403	VF72830R	CONNECTOR	52147 6P TE	ワ イ ヤ ー ト ラ ッ プ		01
CN404	VJ86160R	CONNECTOR	52147 16P TE	ワ イ ヤ ー ト ラ ッ プ		01
K401	--	TERMINAL FITTINGS		タ ー ミ ナ ル 金 具 (WM04380)		

*: New Parts

RANK: Japan only

BUS2R and BUS3 and BUS4

REF NO.	PART NO.	DESCRIPTION	部 品 名	REMARKS	QTY	RANK
K402	--	TERMINAL FITTINGS	ターミナル金具	(WM04380)		
* C21	WK592400	CIRCUIT BOARD	BUS2R	B U S 2 R シ ー ト	IM8-24	(X8962C0)
-24	UU248470	ELECTROLYTIC CAPACITOR-FW	470.00 25.0V RX TP	ケ ミ コ ン F W		01
	UU248470	ELECTROLYTIC CAPACITOR-FW	470.00 25.0V RX TP	ケ ミ コ ン F W		01
CN11	VB390500	CONNECTOR BASE POST, TOP	PH 9P TE	ベ ー ス ポ ス ト		
CN12	VB39080R	CONNECTOR BASE POST, TOP	PH 12P TE	ベ ー ス ポ ス ト		01
CN13	VB39070R	CONNECTOR BASE POST, TOP	PH 11P TE	ベ ー ス ポ ス ト		01
CN14	VB390500	CONNECTOR BASE POST, TOP	PH 9P TE	ベ ー ス ポ ス ト		
CN15	VB38990R	CONNECTOR BASE POST, TOP	PH 3P TE	ベ ー ス ポ ス ト		01
CN16	VB39030R	CONNECTOR BASE POST, TOP	PH 7P TE	ベ ー ス ポ ス ト		01
CN17	VF28310R	CONNECTOR BASE POST, TOP	PH 13P TE	ベ ー ス ポ ス ト		01
CN28	LB93204R	CONNECTOR BASE POST, TOP	VH 4P TE	ベ ー ス ポ ス ト		01
CN29	VB38980R	CONNECTOR BASE POST, TOP	PH 2P TE	ベ ー ス ポ ス ト		01
CN601	VK217500	FJ CONNECTOR	FJ 12P	F J ー リ セ ブ タ ク ル		
CN602	VK217500	FJ CONNECTOR	FJ 12P	F J ー リ セ ブ タ ク ル		
CN603	VF72830R	CONNECTOR	52147 6P TE	ワ イ ヤ ー ト ラ ッ プ		01
CN604	VJ86160R	CONNECTOR	52147 16P TE	ワ イ ヤ ー ト ラ ッ プ		01
K601	--	TERMINAL FITTINGS	ターミナル金具	(WM04380)		
K602	--	TERMINAL FITTINGS	ターミナル金具	(WM04380)		
* C11	WK592500	CIRCUIT BOARD	BUS3	B U S 3 シ ー ト	IM8-40	(X8963C0)
-14	UU248470	ELECTROLYTIC CAPACITOR-FW	470.00 25.0V RX TP	ケ ミ コ ン F W		01
C21	UU248470	ELECTROLYTIC CAPACITOR-FW	470.00 25.0V RX TP	ケ ミ コ ン F W		01
-24	UU248470	ELECTROLYTIC CAPACITOR-FW	470.00 25.0V RX TP	ケ ミ コ ン F W		01
CN11	VB390500	CONNECTOR BASE POST, TOP	PH 9P TE	ベ ー ス ポ ス ト		
CN12	VB39080R	CONNECTOR BASE POST, TOP	PH 12P TE	ベ ー ス ポ ス ト		01
CN13	VB39070R	CONNECTOR BASE POST, TOP	PH 11P TE	ベ ー ス ポ ス ト		01
CN14	VB390500	CONNECTOR BASE POST, TOP	PH 9P TE	ベ ー ス ポ ス ト		
CN15	VB38990R	CONNECTOR BASE POST, TOP	PH 3P TE	ベ ー ス ポ ス ト		01
CN16	VB39030R	CONNECTOR BASE POST, TOP	PH 7P TE	ベ ー ス ポ ス ト		01
CN17	VF28310R	CONNECTOR BASE POST, TOP	PH 13P TE	ベ ー ス ポ ス ト		01
CN18	LB93204R	CONNECTOR BASE POST, TOP	VH 4P TE	ベ ー ス ポ ス ト		01
CN19	VB38980R	CONNECTOR BASE POST, TOP	PH 2P TE	ベ ー ス ポ ス ト		01
CN21	VB390500	CONNECTOR BASE POST, TOP	PH 9P TE	ベ ー ス ポ ス ト		
CN22	VB39080R	CONNECTOR BASE POST, TOP	PH 12P TE	ベ ー ス ポ ス ト		01
CN23	VB39070R	CONNECTOR BASE POST, TOP	PH 11P TE	ベ ー ス ポ ス ト		01
CN24	VB390500	CONNECTOR BASE POST, TOP	PH 9P TE	ベ ー ス ポ ス ト		
CN25	VB38990R	CONNECTOR BASE POST, TOP	PH 3P TE	ベ ー ス ポ ス ト		01
CN26	VB39030R	CONNECTOR BASE POST, TOP	PH 7P TE	ベ ー ス ポ ス ト		01
CN27	VF28310R	CONNECTOR BASE POST, TOP	PH 13P TE	ベ ー ス ポ ス ト		01
CN28	LB93204R	CONNECTOR BASE POST, TOP	VH 4P TE	ベ ー ス ポ ス ト		01
* CN401	WK536500	FJK CONNECTOR	FJK SERIES 12P	F J K コ ネ ク タ		
* CN402	WK536500	FJK CONNECTOR	FJK SERIES 12P	F J K コ ネ ク タ		
CN403	VF72830R	CONNECTOR	52147 6P TE	ワ イ ヤ ー ト ラ ッ プ		01
CN404	VJ86160R	CONNECTOR	52147 16P TE	ワ イ ヤ ー ト ラ ッ プ		01
K401	--	TERMINAL FITTINGS	ターミナル金具	(WM04380)		
K402	--	TERMINAL FITTINGS	ターミナル金具	(WM04380)		
* C11	WK592600	CIRCUIT BOARD	BUS4	B U S 4 シ ー ト	IM8-40/IM8-32	(X9191C0)
-14	UU248470	ELECTROLYTIC CAPACITOR-FW	470.00 25.0V RX TP	ケ ミ コ ン F W		01
C21	UU248470	ELECTROLYTIC CAPACITOR-FW	470.00 25.0V RX TP	ケ ミ コ ン F W		01
-24	UU248470	ELECTROLYTIC CAPACITOR-FW	470.00 25.0V RX TP	ケ ミ コ ン F W		01
CN11	VB390500	CONNECTOR BASE POST, TOP	PH 9P TE	ベ ー ス ポ ス ト		
CN12	VB39080R	CONNECTOR BASE POST, TOP	PH 12P TE	ベ ー ス ポ ス ト		01
CN13	VB39070R	CONNECTOR BASE POST, TOP	PH 11P TE	ベ ー ス ポ ス ト		01
CN14	VB390500	CONNECTOR BASE POST, TOP	PH 9P TE	ベ ー ス ポ ス ト		
CN15	VB38990R	CONNECTOR BASE POST, TOP	PH 3P TE	ベ ー ス ポ ス ト		01
CN16	VB39030R	CONNECTOR BASE POST, TOP	PH 7P TE	ベ ー ス ポ ス ト		01
CN17	VF28310R	CONNECTOR BASE POST, TOP	PH 13P TE	ベ ー ス ポ ス ト		01
CN18	LB93204R	CONNECTOR BASE POST, TOP	VH 4P TE	ベ ー ス ポ ス ト		01
CN19	VB38980R	CONNECTOR BASE POST, TOP	PH 2P TE	ベ ー ス ポ ス ト		01
CN21	VB390500	CONNECTOR BASE POST, TOP	PH 9P TE	ベ ー ス ポ ス ト		
CN22	VB39080R	CONNECTOR BASE POST, TOP	PH 12P TE	ベ ー ス ポ ス ト		01
CN23	VB39070R	CONNECTOR BASE POST, TOP	PH 11P TE	ベ ー ス ポ ス ト		01
CN24	VB390500	CONNECTOR BASE POST, TOP	PH 9P TE	ベ ー ス ポ ス ト		
CN25	VB38990R	CONNECTOR BASE POST, TOP	PH 3P TE	ベ ー ス ポ ス ト		01
CN26	VB39030R	CONNECTOR BASE POST, TOP	PH 7P TE	ベ ー ス ポ ス ト		01

*: New Parts

RANK: Japan only

BUS4 and COMP

REF NO.	PART NO.	DESCRIPTION		部 品 名	REMARKS	QTY	RANK
CN27	VF28310R	CONNECTOR BASE POST, TOP	PH 13P TE	ベ ー ス ポ ス ト			01
CN28	LB93204R	CONNECTOR BASE POST, TOP	VH 4P TE	ベ ー ス ポ ス ト			01
CN29	VB38980R	CONNECTOR BASE POST, TOP	PH 2P TE	ベ ー ス ポ ス ト			01
CN601	VK217500	FJ CONNECTOR	FJ 12P	F J - リ セ ブ タ ク ル			
CN602	VK217500	FJ CONNECTOR	FJ 12P	F J - リ セ ブ タ ク ル			
CN603	VF72830R	CONNECTOR	52147 6P TE	ワ イ ヤ ー ト ラ ッ プ			01
CN604	VJ86160R	CONNECTOR	52147 16P TE	ワ イ ヤ ー ト ラ ッ プ			01
K601	--	TERMINAL FITTINGS		タ ー ミ ナ ル 金 具	(WM04380)		
K602	--	TERMINAL FITTINGS		タ ー ミ ナ ル 金 具	(WM04380)		
*	WK592000	CIRCUIT BOARD	COMP	C O M P シ ー ト	(WM77170)(X8967C0)		
	--	JUMPER WIRE	0.55	ジ ャ ン パ ー 線	(VA07890)	82	
C102	UR857470	ELECTROLYTIC CAPACITOR	47.00 35.0V RX TP	ケ ミ コ ン			
C103	US062100	CERAMIC CAPACITOR-SL (CHIP)	100P 50V J RECT.	チ ッ プ セ ラ (S L)			
C104	US06168R	CERAMIC CAPACITOR-SL (CHIP)	68P 50V J RECT.	チ ッ プ セ ラ (S L)			01
C105	US061220	CERAMIC CAPACITOR-CH (CHIP)	22P 50V J RECT.	チ ッ プ セ ラ (C H)			
C106	US064100	CERAMIC CAPACITOR-B (CHIP)	0.0100 50V K RECT.	チ ッ プ セ ラ (B)			
-109	US064100	CERAMIC CAPACITOR-B (CHIP)	0.0100 50V K RECT.	チ ッ プ セ ラ (B)			
C202	UR857470	ELECTROLYTIC CAPACITOR	47.00 35.0V RX TP	ケ ミ コ ン			
C203	US062100	CERAMIC CAPACITOR-SL (CHIP)	100P 50V J RECT.	チ ッ プ セ ラ (S L)			
C204	US06168R	CERAMIC CAPACITOR-SL (CHIP)	68P 50V J RECT.	チ ッ プ セ ラ (S L)			01
C205	US061220	CERAMIC CAPACITOR-CH (CHIP)	22P 50V J RECT.	チ ッ プ セ ラ (C H)			
C206	US064100	CERAMIC CAPACITOR-B (CHIP)	0.0100 50V K RECT.	チ ッ プ セ ラ (B)			
C207	US064100	CERAMIC CAPACITOR-B (CHIP)	0.0100 50V K RECT.	チ ッ プ セ ラ (B)			
C302	UR857470	ELECTROLYTIC CAPACITOR	47.00 35.0V RX TP	ケ ミ コ ン			
C303	US062100	CERAMIC CAPACITOR-SL (CHIP)	100P 50V J RECT.	チ ッ プ セ ラ (S L)			
C304	US06168R	CERAMIC CAPACITOR-SL (CHIP)	68P 50V J RECT.	チ ッ プ セ ラ (S L)			01
C305	US061220	CERAMIC CAPACITOR-CH (CHIP)	22P 50V J RECT.	チ ッ プ セ ラ (C H)			
C306	US064100	CERAMIC CAPACITOR-B (CHIP)	0.0100 50V K RECT.	チ ッ プ セ ラ (B)			
-309	US064100	CERAMIC CAPACITOR-B (CHIP)	0.0100 50V K RECT.	チ ッ プ セ ラ (B)			
C402	UR857470	ELECTROLYTIC CAPACITOR	47.00 35.0V RX TP	ケ ミ コ ン			
C403	US062100	CERAMIC CAPACITOR-SL (CHIP)	100P 50V J RECT.	チ ッ プ セ ラ (S L)			
C404	US06168R	CERAMIC CAPACITOR-SL (CHIP)	68P 50V J RECT.	チ ッ プ セ ラ (S L)			01
C405	US061220	CERAMIC CAPACITOR-CH (CHIP)	22P 50V J RECT.	チ ッ プ セ ラ (C H)			
C406	US064100	CERAMIC CAPACITOR-B (CHIP)	0.0100 50V K RECT.	チ ッ プ セ ラ (B)			
C407	US064100	CERAMIC CAPACITOR-B (CHIP)	0.0100 50V K RECT.	チ ッ プ セ ラ (B)			
C502	UR857470	ELECTROLYTIC CAPACITOR	47.00 35.0V RX TP	ケ ミ コ ン			
C503	US062100	CERAMIC CAPACITOR-SL (CHIP)	100P 50V J RECT.	チ ッ プ セ ラ (S L)			
C504	US06168R	CERAMIC CAPACITOR-SL (CHIP)	68P 50V J RECT.	チ ッ プ セ ラ (S L)			01
C505	US061220	CERAMIC CAPACITOR-CH (CHIP)	22P 50V J RECT.	チ ッ プ セ ラ (C H)			
C506	US064100	CERAMIC CAPACITOR-B (CHIP)	0.0100 50V K RECT.	チ ッ プ セ ラ (B)			
-509	US064100	CERAMIC CAPACITOR-B (CHIP)	0.0100 50V K RECT.	チ ッ プ セ ラ (B)			
C602	UR857470	ELECTROLYTIC CAPACITOR	47.00 35.0V RX TP	ケ ミ コ ン			
C603	US062100	CERAMIC CAPACITOR-SL (CHIP)	100P 50V J RECT.	チ ッ プ セ ラ (S L)			
C604	US06168R	CERAMIC CAPACITOR-SL (CHIP)	68P 50V J RECT.	チ ッ プ セ ラ (S L)			01
C605	US061220	CERAMIC CAPACITOR-CH (CHIP)	22P 50V J RECT.	チ ッ プ セ ラ (C H)			
C606	US064100	CERAMIC CAPACITOR-B (CHIP)	0.0100 50V K RECT.	チ ッ プ セ ラ (B)			
C607	US064100	CERAMIC CAPACITOR-B (CHIP)	0.0100 50V K RECT.	チ ッ プ セ ラ (B)			
C702	UR857470	ELECTROLYTIC CAPACITOR	47.00 35.0V RX TP	ケ ミ コ ン			
C703	US062100	CERAMIC CAPACITOR-SL (CHIP)	100P 50V J RECT.	チ ッ プ セ ラ (S L)			
C704	US06168R	CERAMIC CAPACITOR-SL (CHIP)	68P 50V J RECT.	チ ッ プ セ ラ (S L)			01
C705	US061220	CERAMIC CAPACITOR-CH (CHIP)	22P 50V J RECT.	チ ッ プ セ ラ (C H)			
C706	US064100	CERAMIC CAPACITOR-B (CHIP)	0.0100 50V K RECT.	チ ッ プ セ ラ (B)			
-709	US064100	CERAMIC CAPACITOR-B (CHIP)	0.0100 50V K RECT.	チ ッ プ セ ラ (B)			
C802	UR857470	ELECTROLYTIC CAPACITOR	47.00 35.0V RX TP	ケ ミ コ ン			
C803	US062100	CERAMIC CAPACITOR-SL (CHIP)	100P 50V J RECT.	チ ッ プ セ ラ (S L)			
C804	US06168R	CERAMIC CAPACITOR-SL (CHIP)	68P 50V J RECT.	チ ッ プ セ ラ (S L)			01
C805	US061220	CERAMIC CAPACITOR-CH (CHIP)	22P 50V J RECT.	チ ッ プ セ ラ (C H)			
C806	US064100	CERAMIC CAPACITOR-B (CHIP)	0.0100 50V K RECT.	チ ッ プ セ ラ (B)			
C807	US064100	CERAMIC CAPACITOR-B (CHIP)	0.0100 50V K RECT.	チ ッ プ セ ラ (B)			
CN101	VQ044400	FFC CONNECTOR	52044 9P SE	F F C コ ネ ク タ ー			
CN201	VQ044300	FFC CONNECTOR	52044 7P SE	F F C コ ネ ク タ ー			
CN301	VQ044300	FFC CONNECTOR	52044 7P SE	F F C コ ネ ク タ ー			
CN401	VQ044300	FFC CONNECTOR	52044 7P SE	F F C コ ネ ク タ ー			
CN501	VQ044300	FFC CONNECTOR	52044 7P SE	F F C コ ネ ク タ ー			
CN601	VQ044300	FFC CONNECTOR	52044 7P SE	F F C コ ネ ク タ ー			
CN701	VQ044300	FFC CONNECTOR	52044 7P SE	F F C コ ネ ク タ ー			
CN801	VQ044300	FFC CONNECTOR	52044 7P SE	F F C コ ネ ク タ ー			
D101	VT332900	DIODE	1SS355 TE-17 TP	ダ イ オ ー ド			
-104	VT332900	DIODE	1SS355 TE-17 TP	ダ イ オ ー ド			

*: New Parts

RANK: Japan only

COMP

REF NO.	PART NO.	DESCRIPTION		部	品	名	REMARKS	QTY	RANK					
D201	VT332900	DIODE	1SS355 TE-17 TP	ダ	イ	オ	ー	ド						
-204	VT332900	DIODE	1SS355 TE-17 TP	ダ	イ	オ	ー	ド						
D301	VT332900	DIODE	1SS355 TE-17 TP	ダ	イ	オ	ー	ド						
-304	VT332900	DIODE	1SS355 TE-17 TP	ダ	イ	オ	ー	ド						
D401	VT332900	DIODE	1SS355 TE-17 TP	ダ	イ	オ	ー	ド						
-404	VT332900	DIODE	1SS355 TE-17 TP	ダ	イ	オ	ー	ド						
D501	VT332900	DIODE	1SS355 TE-17 TP	ダ	イ	オ	ー	ド						
-504	VT332900	DIODE	1SS355 TE-17 TP	ダ	イ	オ	ー	ド						
D601	VT332900	DIODE	1SS355 TE-17 TP	ダ	イ	オ	ー	ド						
-604	VT332900	DIODE	1SS355 TE-17 TP	ダ	イ	オ	ー	ド						
D701	VT332900	DIODE	1SS355 TE-17 TP	ダ	イ	オ	ー	ド						
-704	VT332900	DIODE	1SS355 TE-17 TP	ダ	イ	オ	ー	ド						
D801	VT332900	DIODE	1SS355 TE-17 TP	ダ	イ	オ	ー	ド						
-804	VT332900	DIODE	1SS355 TE-17 TP	ダ	イ	オ	ー	ド						
IC101	X3505A00	IC	NJM2068M-D(TE2)	l				C	OP AMP					
IC102	X6897A00	IC	BA4560RF-E2	l				C	OP AMP					
IC201	X3505A00	IC	NJM2068M-D(TE2)	l				C	OP AMP					
IC301	X3505A00	IC	NJM2068M-D(TE2)	l				C	OP AMP					
IC302	X6897A00	IC	BA4560RF-E2	l				C	OP AMP					
IC401	X3505A00	IC	NJM2068M-D(TE2)	l				C	OP AMP					
IC501	X3505A00	IC	NJM2068M-D(TE2)	l				C	OP AMP					
IC502	X6897A00	IC	BA4560RF-E2	l				C	OP AMP					
IC601	X3505A00	IC	NJM2068M-D(TE2)	l				C	OP AMP					
IC701	X3505A00	IC	NJM2068M-D(TE2)	l				C	OP AMP					
IC702	X6897A00	IC	BA4560RF-E2	l				C	OP AMP					
IC801	X3505A00	IC	NJM2068M-D(TE2)	l				C	OP AMP					
Q101	VV556400	TRANSISTOR	2SC2412K Q,R,S TP	ト	ラ	ン	ジ	ス	タ	2	S	C		
Q102	WH249200	FET	2SK208-GR(TE85L,F)	F				E				T		01
Q201	VV556400	TRANSISTOR	2SC2412K Q,R,S TP	ト	ラ	ン	ジ	ス	タ	2	S	C		
Q202	WH249200	FET	2SK208-GR(TE85L,F)	F				E			T		01	
Q301	VV556400	TRANSISTOR	2SC2412K Q,R,S TP	ト	ラ	ン	ジ	ス	タ	2	S	C		
Q302	WH249200	FET	2SK208-GR(TE85L,F)	F				E			T		01	
Q401	VV556400	TRANSISTOR	2SC2412K Q,R,S TP	ト	ラ	ン	ジ	ス	タ	2	S	C		
Q402	WH249200	FET	2SK208-GR(TE85L,F)	F				E			T		01	
Q501	VV556400	TRANSISTOR	2SC2412K Q,R,S TP	ト	ラ	ン	ジ	ス	タ	2	S	C		
Q502	WH249200	FET	2SK208-GR(TE85L,F)	F				E			T		01	
Q601	VV556400	TRANSISTOR	2SC2412K Q,R,S TP	ト	ラ	ン	ジ	ス	タ	2	S	C		
Q602	WH249200	FET	2SK208-GR(TE85L,F)	F				E			T		01	
Q701	VV556400	TRANSISTOR	2SC2412K Q,R,S TP	ト	ラ	ン	ジ	ス	タ	2	S	C		
Q702	WH249200	FET	2SK208-GR(TE85L,F)	F				E			T		01	
Q801	VV556400	TRANSISTOR	2SC2412K Q,R,S TP	ト	ラ	ン	ジ	ス	タ	2	S	C		
Q802	WH249200	FET	2SK208-GR(TE85L,F)	F				E			T		01	
R101	RF458100	CHIP RESISTOR 1/16W	100.0K D RECT.	チ	ッ	ブ								
R102	RF456330	CHIP RESISTOR 1/16W	3.3K D RECT.	チ	ッ	ブ								
R103	RF456330	CHIP RESISTOR 1/16W	3.3K D RECT.	チ	ッ	ブ								
R104	RF456820	CHIP RESISTOR 1/16W	8.2K D RECT.	チ	ッ	ブ								
R105	RD35747R	CHIP RESISTOR 1/16W	47.0K 63M J RECT.	チ	ッ	ブ								01
R106	RD358220	CHIP RESISTOR 1/16W	220.0K 63M J RECT.	チ	ッ	ブ								
R107	RF458100	CHIP RESISTOR 1/16W	100.0K D RECT.	チ	ッ	ブ								
R108	RF457560	CHIP RESISTOR 1/16W	56.0K D RECT.	チ	ッ	ブ								01
R109	RF457270	CHIP RESISTOR 1/16W	27.0K D RECT.	チ	ッ	ブ								
R111	RF457220	CHIP RESISTOR 1/16W	22.0K D RECT.	チ	ッ	ブ								
R112	RD357120	CHIP RESISTOR 1/16W	12.0K 63M J RECT.	チ	ッ	ブ								
R113	RF455820	CHIP RESISTOR 1/16W	820.0 D RECT.	チ	ッ	ブ								01
R114	RF455820	CHIP RESISTOR 1/16W	820.0 D RECT.	チ	ッ	ブ								01
R115	RD357120	CHIP RESISTOR 1/16W	12.0K 63M J RECT.	チ	ッ	ブ								
R116	RF457270	CHIP RESISTOR 1/16W	27.0K D RECT.	チ	ッ	ブ								
R201	RF456330	CHIP RESISTOR 1/16W	3.3K D RECT.	チ	ッ	ブ								
R202	RF456820	CHIP RESISTOR 1/16W	8.2K D RECT.	チ	ッ	ブ								
R203	RD35747R	CHIP RESISTOR 1/16W	47.0K 63M J RECT.	チ	ッ	ブ								01
R204	RD358220	CHIP RESISTOR 1/16W	220.0K 63M J RECT.	チ	ッ	ブ								
R205	RF458100	CHIP RESISTOR 1/16W	100.0K D RECT.	チ	ッ	ブ								
R206	RF457560	CHIP RESISTOR 1/16W	56.0K D RECT.	チ	ッ	ブ								01
R207	RF457270	CHIP RESISTOR 1/16W	27.0K D RECT.	チ	ッ	ブ								
R209	RF457220	CHIP RESISTOR 1/16W	22.0K D RECT.	チ	ッ	ブ								
R210	RD357120	CHIP RESISTOR 1/16W	12.0K 63M J RECT.	チ	ッ	ブ								
R211	RF455820	CHIP RESISTOR 1/16W	820.0 D RECT.	チ	ッ	ブ								01
R212	RF455820	CHIP RESISTOR 1/16W	820.0 D RECT.	チ	ッ	ブ								01
R213	RD357120	CHIP RESISTOR 1/16W	12.0K 63M J RECT.	チ	ッ	ブ								
R214	RF457270	CHIP RESISTOR 1/16W	27.0K D RECT.	チ	ッ	ブ								

*: New Parts

RANK: Japan only

COMP and IN1

REF NO.	PART NO.	DESCRIPTION		部 品 名	REMARKS	QTY	RANK
R806	RF457560	CHIP RESISTOR 1/16W	56.0K D RECT.	チ ッ プ 抵 抗			01
R807	RF457270	CHIP RESISTOR 1/16W	27.0K D RECT.	チ ッ プ 抵 抗			
R809	RF457220	CHIP RESISTOR 1/16W	22.0K D RECT.	チ ッ プ 抵 抗			
R810	RD357120	CHIP RESISTOR 1/16W	12.0K 63M J RECT.	チ ッ プ 抵 抗			
R811	RF455820	CHIP RESISTOR 1/16W	820.0 D RECT.	チ ッ プ 抵 抗			01
R812	RF455820	CHIP RESISTOR 1/16W	820.0 D RECT.	チ ッ プ 抵 抗			01
R813	RD357120	CHIP RESISTOR 1/16W	12.0K 63M J RECT.	チ ッ プ 抵 抗			
R814	RF457270	CHIP RESISTOR 1/16W	27.0K D RECT.	チ ッ プ 抵 抗			
*	WJ985700	CIRCUIT BOARD	IN1	I N 1 シ ー ト	(X8657D0)		
C101	UR867100	ELECTROLYTIC CAPACITOR	10.00 50.0V RX TP	ケ ミ コ ン			
C102	UR867100	ELECTROLYTIC CAPACITOR	10.00 50.0V RX TP	ケ ミ コ ン			
C103	US062470	CERAMIC CAPACITOR-SL (CHIP)	470P 50V J RECT.	チ ッ プ セ ラ (S L)			01
C104	US062470	CERAMIC CAPACITOR-SL (CHIP)	470P 50V J RECT.	チ ッ プ セ ラ (S L)			01
C105	US063100	CERAMIC CAPACITOR-B (CHIP)	1000P 50V K RECT.	チ ッ プ セ ラ (B)			
C106	US061100	CERAMIC CAPACITOR-CH (CHIP)	10P 50V D RECT.	チ ッ プ セ ラ (C H)			
C107	UU218470	ELECTROLYTIC CAPACITOR-FW	470.00 6.3V RX TP	ケ ミ コ ン F W			01
C108	US063100	CERAMIC CAPACITOR-B (CHIP)	1000P 50V K RECT.	チ ッ プ セ ラ (B)			
C109	US061100	CERAMIC CAPACITOR-CH (CHIP)	10P 50V D RECT.	チ ッ プ セ ラ (C H)			
C110	US062220	CERAMIC CAPACITOR-SL (CHIP)	220P 50V J RECT.	チ ッ プ セ ラ (S L)			
C111	US061330	CERAMIC CAPACITOR-CH (CHIP)	33P 50V J RECT.	チ ッ プ セ ラ (C H)			
C112	UN827470	ELECTROLYTIC CAP-BP	47.00 10.0V RX TP	B P ケ ミ コ ン			01
C113	US062220	CERAMIC CAPACITOR-SL (CHIP)	220P 50V J RECT.	チ ッ プ セ ラ (S L)			
C114	US06168R	CERAMIC CAPACITOR-SL (CHIP)	68P 50V J RECT.	チ ッ プ セ ラ (S L)			01
C115	UR867100	ELECTROLYTIC CAPACITOR	10.00 50.0V RX TP	ケ ミ コ ン			
C116	UN827470	ELECTROLYTIC CAP-BP	47.00 10.0V RX TP	B P ケ ミ コ ン			01
C117	UA354820	POLYESTER FILM CAPACITOR	0.082 50V J RX TP	マ イ ラ ー コ ン	}		01
C118	UA654820	POLYESTER FILM CAPACITOR	0.0820 50V J RX TP	マ イ ラ ー コ ン			
C119	UA654820	POLYESTER FILM CAPACITOR	0.082 50V J RX TP	マ イ ラ ー コ ン	}		01
C120	US062100	CERAMIC CAPACITOR-SL (CHIP)	100P 50V J RECT.	チ ッ プ セ ラ (S L)			
C121	US062100	CERAMIC CAPACITOR-SL (CHIP)	100P 50V J RECT.	チ ッ プ セ ラ (S L)			
C122	US061470	CERAMIC CAPACITOR-CH (CHIP)	47P 50V J RECT.	チ ッ プ セ ラ (C H)			
C123	UR857470	ELECTROLYTIC CAPACITOR	47.00 35.0V RX TP	ケ ミ コ ン			
-127	UR857470	ELECTROLYTIC CAPACITOR	47.00 35.0V RX TP	ケ ミ コ ン			
C128	UU248100	ELECTROLYTIC CAPACITOR-FW	100.00 25.0V RX TP	ケ ミ コ ン F W			
C130	US062220	CERAMIC CAPACITOR-SL (CHIP)	220P 50V J RECT.	チ ッ プ セ ラ (S L)			
C131	US06168R	CERAMIC CAPACITOR-SL (CHIP)	68P 50V J RECT.	チ ッ プ セ ラ (S L)			01
C133	UU248100	ELECTROLYTIC CAPACITOR-FW	100.00 25.0V RX TP	ケ ミ コ ン F W			
C134	UR857470	ELECTROLYTIC CAPACITOR	47.00 35.0V RX TP	ケ ミ コ ン			
C135	US064100	CERAMIC CAPACITOR-B (CHIP)	0.0100 50V K RECT.	チ ッ プ セ ラ (B)	}		01
C136	UA354390	POLYESTER FILM CAPACITOR	0.0390 50V J RX TP	マ イ ラ ー コ ン			
C136	UA654390	POLYESTER FILM CAPACITOR	0.0390 50V J RX TP	マ イ ラ ー コ ン	}		
C137	UA352820	POLYESTER FILM CAPACITOR	820P 50V J RX TP	マ イ ラ ー コ ン			
C137	UA652820	POLYESTER FILM CAPACITOR	820P 50V J RX TP	マ イ ラ ー コ ン	}		
C138	US064100	CERAMIC CAPACITOR-B (CHIP)	0.0100 50V K RECT.	チ ッ プ セ ラ (B)			
C139	US064100	CERAMIC CAPACITOR-B (CHIP)	0.0100 50V K RECT.	チ ッ プ セ ラ (B)			
C140	US061100	CERAMIC CAPACITOR-CH (CHIP)	10P 50V D RECT.	チ ッ プ セ ラ (C H)			
C141	US062100	CERAMIC CAPACITOR-SL (CHIP)	100P 50V J RECT.	チ ッ プ セ ラ (S L)			
C142	US064100	CERAMIC CAPACITOR-B (CHIP)	0.0100 50V K RECT.	チ ッ プ セ ラ (B)	}		
C143	US064100	CERAMIC CAPACITOR-B (CHIP)	0.0100 50V K RECT.	チ ッ プ セ ラ (B)			
C144	UA353220	POLYESTER FILM CAPACITOR	2200P 50V J RX TP	マ イ ラ ー コ ン	}		
C144	UA653220	POLYESTER FILM CAPACITOR	2200P 50V J RX TP	マ イ ラ ー コ ン			
C145	US062100	CERAMIC CAPACITOR-SL (CHIP)	100P 50V J RECT.	チ ッ プ セ ラ (S L)			
C146	US064100	CERAMIC CAPACITOR-B (CHIP)	0.0100 50V K RECT.	チ ッ プ セ ラ (B)	}		
C147	US064100	CERAMIC CAPACITOR-B (CHIP)	0.0100 50V K RECT.	チ ッ プ セ ラ (B)			
C148	US061470	CERAMIC CAPACITOR-CH (CHIP)	47P 50V J RECT.	チ ッ プ セ ラ (C H)	}		
C149	US064100	CERAMIC CAPACITOR-B (CHIP)	0.0100 50V K RECT.	チ ッ プ セ ラ (B)			
C150	UA353560	POLYESTER FILM CAPACITOR	5600P 50V J RX TP	マ イ ラ ー コ ン	}		
C150	UA653560	POLYESTER FILM CAPACITOR	5600P 50V J RX TP	マ イ ラ ー コ ン			
C151	US064100	CERAMIC CAPACITOR-B (CHIP)	0.0100 50V K RECT.	チ ッ プ セ ラ (B)	}		01
C152	UA35412R	POLYESTER FILM CAPACITOR	0.0120 50V J RX TP	マ イ ラ ー コ ン			
C152	UA654120	POLYESTER FILM CAPACITOR	0.0120 50V J RX TP	マ イ ラ ー コ ン	}		
C153	US064100	CERAMIC CAPACITOR-B (CHIP)	0.0100 50V K RECT.	チ ッ プ セ ラ (B)			
C154	US062100	CERAMIC CAPACITOR-SL (CHIP)	100P 50V J RECT.	チ ッ プ セ ラ (S L)			
C155	US064100	CERAMIC CAPACITOR-B (CHIP)	0.0100 50V K RECT.	チ ッ プ セ ラ (B)			
C156	US061470	CERAMIC CAPACITOR-CH (CHIP)	47P 50V J RECT.	チ ッ プ セ ラ (C H)			
C157	US064100	CERAMIC CAPACITOR-B (CHIP)	0.0100 50V K RECT.	チ ッ プ セ ラ (B)			
C158	US064100	CERAMIC CAPACITOR-B (CHIP)	0.0100 50V K RECT.	チ ッ プ セ ラ (B)			

*: New Parts

RANK: Japan only

IN1

REF NO.	PART NO.	DESCRIPTION	部 品 名	REMARKS	QTY	RANK
C159	UA354330	POLYESTER FILM CAPACITOR	0.0330 50V J RX TP	マ イ ラ - コ ン		01
C159	UA654330	POLYESTER FILM CAPACITOR	0.0330 50V J RX TP	マ イ ラ - コ ン		
C160	US064100	CERAMIC CAPACITOR-B (CHIP)	0.0100 50V K RECT.	チ ッ プ セ ラ (B)		
C161	UR857470	ELECTROLYTIC CAPACITOR	47.00 35.0V RX TP	ケ ミ コ ン		
C162	US063100	CERAMIC CAPACITOR-B (CHIP)	1000P 50V K RECT.	チ ッ プ セ ラ (B)		
C201	UR867100	ELECTROLYTIC CAPACITOR	10.00 50.0V RX TP	ケ ミ コ ン		
C202	UR867100	ELECTROLYTIC CAPACITOR	10.00 50.0V RX TP	ケ ミ コ ン		
C203	US062470	CERAMIC CAPACITOR-SL (CHIP)	470P 50V J RECT.	チ ッ プ セ ラ (S L)		01
C204	US062470	CERAMIC CAPACITOR-SL (CHIP)	470P 50V J RECT.	チ ッ プ セ ラ (S L)		01
C205	US063100	CERAMIC CAPACITOR-B (CHIP)	1000P 50V K RECT.	チ ッ プ セ ラ (B)		
C206	US061100	CERAMIC CAPACITOR-CH (CHIP)	10P 50V D RECT.	チ ッ プ セ ラ (C H)		
C207	UU218470	ELECTROLYTIC CAPACITOR-FW	470.00 6.3V RX TP	ケ ミ コ ン F W		01
C208	US063100	CERAMIC CAPACITOR-B (CHIP)	1000P 50V K RECT.	チ ッ プ セ ラ (B)		
C209	US061100	CERAMIC CAPACITOR-CH (CHIP)	10P 50V D RECT.	チ ッ プ セ ラ (C H)		
C210	US062220	CERAMIC CAPACITOR-SL (CHIP)	220P 50V J RECT.	チ ッ プ セ ラ (S L)		
C211	US061330	CERAMIC CAPACITOR-CH (CHIP)	33P 50V J RECT.	チ ッ プ セ ラ (C H)		
C212	UN827470	ELECTROLYTIC CAP-BP	47.00 10.0V RX TP	B P ケ ミ コ ン		01
C213	US062220	CERAMIC CAPACITOR-SL (CHIP)	220P 50V J RECT.	チ ッ プ セ ラ (S L)		
C214	US06168R	CERAMIC CAPACITOR-SL (CHIP)	68P 50V J RECT.	チ ッ プ セ ラ (S L)		01
C215	UR867100	ELECTROLYTIC CAPACITOR	10.00 50.0V RX TP	ケ ミ コ ン		
C216	UN827470	ELECTROLYTIC CAP-BP	47.00 10.0V RX TP	B P ケ ミ コ ン		01
C217	UA354820	POLYESTER FILM CAPACITOR	0.082 50V J RX TP	マ イ ラ - コ ン		01
C217	UA654820	POLYESTER FILM CAPACITOR	0.0820 50V J RX TP	マ イ ラ - コ ン		
C218	US062100	CERAMIC CAPACITOR-SL (CHIP)	100P 50V J RECT.	チ ッ プ セ ラ (S L)		
C219	UA354820	POLYESTER FILM CAPACITOR	0.082 50V J RX TP	マ イ ラ - コ ン		01
C219	UA654820	POLYESTER FILM CAPACITOR	0.0820 50V J RX TP	マ イ ラ - コ ン		
C220	US062100	CERAMIC CAPACITOR-SL (CHIP)	100P 50V J RECT.	チ ッ プ セ ラ (S L)		
C221	US062100	CERAMIC CAPACITOR-SL (CHIP)	100P 50V J RECT.	チ ッ プ セ ラ (S L)		
C222	US061470	CERAMIC CAPACITOR-CH (CHIP)	47P 50V J RECT.	チ ッ プ セ ラ (C H)		
C223	UR857470	ELECTROLYTIC CAPACITOR	47.00 35.0V RX TP	ケ ミ コ ン		
-227	UR857470	ELECTROLYTIC CAPACITOR	47.00 35.0V RX TP	ケ ミ コ ン		
C228	UU248100	ELECTROLYTIC CAPACITOR-FW	100.00 25.0V RX TP	ケ ミ コ ン F W		
C230	US062220	CERAMIC CAPACITOR-SL (CHIP)	220P 50V J RECT.	チ ッ プ セ ラ (S L)		01
C231	US06168R	CERAMIC CAPACITOR-SL (CHIP)	68P 50V J RECT.	チ ッ プ セ ラ (S L)		
C233	UU248100	ELECTROLYTIC CAPACITOR-FW	100.00 25.0V RX TP	ケ ミ コ ン F W		
C234	UR857470	ELECTROLYTIC CAPACITOR	47.00 35.0V RX TP	ケ ミ コ ン		
C235	UA354390	POLYESTER FILM CAPACITOR	0.0390 50V J RX TP	マ イ ラ - コ ン		01
C235	UA654390	POLYESTER FILM CAPACITOR	0.0390 50V J RX TP	マ イ ラ - コ ン		
C236	UA352820	POLYESTER FILM CAPACITOR	820P 50V J RX TP	マ イ ラ - コ ン		
C236	UA652820	POLYESTER FILM CAPACITOR	820P 50V J RX TP	マ イ ラ - コ ン		
C237	US061100	CERAMIC CAPACITOR-CH (CHIP)	10P 50V D RECT.	チ ッ プ セ ラ (C H)		
C238	US062100	CERAMIC CAPACITOR-SL (CHIP)	100P 50V J RECT.	チ ッ プ セ ラ (S L)		
C239	UA353220	POLYESTER FILM CAPACITOR	2200P 50V J RX TP	マ イ ラ - コ ン		
C239	UA653220	POLYESTER FILM CAPACITOR	2200P 50V J RX TP	マ イ ラ - コ ン		
C240	US062100	CERAMIC CAPACITOR-SL (CHIP)	100P 50V J RECT.	チ ッ プ セ ラ (S L)		
C241	US061470	CERAMIC CAPACITOR-CH (CHIP)	47P 50V J RECT.	チ ッ プ セ ラ (C H)		
C242	UA353560	POLYESTER FILM CAPACITOR	5600P 50V J RX TP	マ イ ラ - コ ン		
C242	UA653560	POLYESTER FILM CAPACITOR	5600P 50V J RX TP	マ イ ラ - コ ン		
C243	UA35412R	POLYESTER FILM CAPACITOR	0.0120 50V J RX TP	マ イ ラ - コ ン		01
C243	UA654120	POLYESTER FILM CAPACITOR	0.0120 50V J RX TP	マ イ ラ - コ ン		
C244	US062100	CERAMIC CAPACITOR-SL (CHIP)	100P 50V J RECT.	チ ッ プ セ ラ (S L)		
C245	US061470	CERAMIC CAPACITOR-CH (CHIP)	47P 50V J RECT.	チ ッ プ セ ラ (C H)		
C246	UA354330	POLYESTER FILM CAPACITOR	0.0330 50V J RX TP	マ イ ラ - コ ン		01
C246	UA654330	POLYESTER FILM CAPACITOR	0.0330 50V J RX TP	マ イ ラ - コ ン		
C247	UR857470	ELECTROLYTIC CAPACITOR	47.00 35.0V RX TP	ケ ミ コ ン		
C248	US063100	CERAMIC CAPACITOR-B (CHIP)	1000P 50V K RECT.	チ ッ プ セ ラ (B)		
C301	UR867100	ELECTROLYTIC CAPACITOR	10.00 50.0V RX TP	ケ ミ コ ン		
C302	UR867100	ELECTROLYTIC CAPACITOR	10.00 50.0V RX TP	ケ ミ コ ン		
C303	US062470	CERAMIC CAPACITOR-SL (CHIP)	470P 50V J RECT.	チ ッ プ セ ラ (S L)		01
C304	US062470	CERAMIC CAPACITOR-SL (CHIP)	470P 50V J RECT.	チ ッ プ セ ラ (S L)		01
C305	US063100	CERAMIC CAPACITOR-B (CHIP)	1000P 50V K RECT.	チ ッ プ セ ラ (B)		
C306	US061100	CERAMIC CAPACITOR-CH (CHIP)	10P 50V D RECT.	チ ッ プ セ ラ (C H)		
C307	UU218470	ELECTROLYTIC CAPACITOR-FW	470.00 6.3V RX TP	ケ ミ コ ン F W		01
C308	US063100	CERAMIC CAPACITOR-B (CHIP)	1000P 50V K RECT.	チ ッ プ セ ラ (B)		
C309	US061100	CERAMIC CAPACITOR-CH (CHIP)	10P 50V D RECT.	チ ッ プ セ ラ (C H)		
C310	US062220	CERAMIC CAPACITOR-SL (CHIP)	220P 50V J RECT.	チ ッ プ セ ラ (S L)		
C311	US061330	CERAMIC CAPACITOR-CH (CHIP)	33P 50V J RECT.	チ ッ プ セ ラ (C H)		
C312	UN827470	ELECTROLYTIC CAP-BP	47.00 10.0V RX TP	B P ケ ミ コ ン		01
C313	US062220	CERAMIC CAPACITOR-SL (CHIP)	220P 50V J RECT.	チ ッ プ セ ラ (S L)		
C314	US06168R	CERAMIC CAPACITOR-SL (CHIP)	68P 50V J RECT.	チ ッ プ セ ラ (S L)		01

*: New Parts

RANK: Japan only

IN1

REF NO.	PART NO.	DESCRIPTION	部 品 名	REMARKS	QTY	RANK
C315	UR867100	ELECTROLYTIC CAPACITOR	10.00 50.0V RX TP	ケ ミ コ ン		
C316	UN827470	ELECTROLYTIC CAP-BP	47.00 10.0V RX TP	B P ケ ミ コ ン		01
C317	UA354820	POLYESTER FILM CAPACITOR	0.082 50V J RX TP	マ イ ラ ー コ ン	}	01
C317	UA654820	POLYESTER FILM CAPACITOR	0.0820 50V J RX TP	マ イ ラ ー コ ン		
C318	US062100	CERAMIC CAPACITOR-SL (CHIP)	100P 50V J RECT.	チ ッ プ セ ラ (S L)		
C319	UA354820	POLYESTER FILM CAPACITOR	0.082 50V J RX TP	マ イ ラ ー コ ン		
C319	UA654820	POLYESTER FILM CAPACITOR	0.0820 50V J RX TP	マ イ ラ ー コ ン	}	01
C320	US062100	CERAMIC CAPACITOR-SL (CHIP)	100P 50V J RECT.	チ ッ プ セ ラ (S L)		
C321	US062100	CERAMIC CAPACITOR-SL (CHIP)	100P 50V J RECT.	チ ッ プ セ ラ (S L)		
C322	US061470	CERAMIC CAPACITOR-CH (CHIP)	47P 50V J RECT.	チ ッ プ セ ラ (C H)		
C323	UR857470	ELECTROLYTIC CAPACITOR	47.00 35.0V RX TP	ケ ミ コ ン		
-327	UR857470	ELECTROLYTIC CAPACITOR	47.00 35.0V RX TP	ケ ミ コ ン		
C328	UU248100	ELECTROLYTIC CAPACITOR-FW	100.00 25.0V RX TP	ケ ミ コ ン F W		
C330	US062220	CERAMIC CAPACITOR-SL (CHIP)	220P 50V J RECT.	チ ッ プ セ ラ (S L)		
C331	US06168R	CERAMIC CAPACITOR-SL (CHIP)	68P 50V J RECT.	チ ッ プ セ ラ (S L)		01
C333	UU248100	ELECTROLYTIC CAPACITOR-FW	100.00 25.0V RX TP	ケ ミ コ ン F W		
C334	UR857470	ELECTROLYTIC CAPACITOR	47.00 35.0V RX TP	ケ ミ コ ン		
C335	US064100	CERAMIC CAPACITOR-B (CHIP)	0.0100 50V K RECT.	チ ッ プ セ ラ (B)	}	01
C336	UA354390	POLYESTER FILM CAPACITOR	0.0390 50V J RX TP	マ イ ラ ー コ ン		
C336	UA654390	POLYESTER FILM CAPACITOR	0.0390 50V J RX TP	マ イ ラ ー コ ン		
C337	UA352820	POLYESTER FILM CAPACITOR	820P 50V J RX TP	マ イ ラ ー コ ン		
C337	UA652820	POLYESTER FILM CAPACITOR	820P 50V J RX TP	マ イ ラ ー コ ン	}	
C338	US064100	CERAMIC CAPACITOR-B (CHIP)	0.0100 50V K RECT.	チ ッ プ セ ラ (B)		
C339	US064100	CERAMIC CAPACITOR-B (CHIP)	0.0100 50V K RECT.	チ ッ プ セ ラ (B)		
C340	US061100	CERAMIC CAPACITOR-CH (CHIP)	10P 50V D RECT.	チ ッ プ セ ラ (C H)		
C341	US062100	CERAMIC CAPACITOR-SL (CHIP)	100P 50V J RECT.	チ ッ プ セ ラ (S L)		
C342	US064100	CERAMIC CAPACITOR-B (CHIP)	0.0100 50V K RECT.	チ ッ プ セ ラ (B)		
C343	US064100	CERAMIC CAPACITOR-B (CHIP)	0.0100 50V K RECT.	チ ッ プ セ ラ (B)		
C344	UA353220	POLYESTER FILM CAPACITOR	2200P 50V J RX TP	マ イ ラ ー コ ン	}	
C344	UA653220	POLYESTER FILM CAPACITOR	2200P 50V J RX TP	マ イ ラ ー コ ン		
C345	US062100	CERAMIC CAPACITOR-SL (CHIP)	100P 50V J RECT.	チ ッ プ セ ラ (S L)		
C346	US064100	CERAMIC CAPACITOR-B (CHIP)	0.0100 50V K RECT.	チ ッ プ セ ラ (B)		
C347	US064100	CERAMIC CAPACITOR-B (CHIP)	0.0100 50V K RECT.	チ ッ プ セ ラ (B)		
C348	US061470	CERAMIC CAPACITOR-CH (CHIP)	47P 50V J RECT.	チ ッ プ セ ラ (C H)		
C349	US064100	CERAMIC CAPACITOR-B (CHIP)	0.0100 50V K RECT.	チ ッ プ セ ラ (B)		
C350	UA353560	POLYESTER FILM CAPACITOR	5600P 50V J RX TP	マ イ ラ ー コ ン	}	
C350	UA653560	POLYESTER FILM CAPACITOR	5600P 50V J RX TP	マ イ ラ ー コ ン		
C351	US064100	CERAMIC CAPACITOR-B (CHIP)	0.0100 50V K RECT.	チ ッ プ セ ラ (B)		
C352	UA35412R	POLYESTER FILM CAPACITOR	0.0120 50V J RX TP	マ イ ラ ー コ ン		
C352	UA654120	POLYESTER FILM CAPACITOR	0.0120 50V J RX TP	マ イ ラ ー コ ン	}	01
C353	US064100	CERAMIC CAPACITOR-B (CHIP)	0.0100 50V K RECT.	チ ッ プ セ ラ (B)		
C354	US062100	CERAMIC CAPACITOR-SL (CHIP)	100P 50V J RECT.	チ ッ プ セ ラ (S L)		
C355	US064100	CERAMIC CAPACITOR-B (CHIP)	0.0100 50V K RECT.	チ ッ プ セ ラ (B)		
C356	US061470	CERAMIC CAPACITOR-CH (CHIP)	47P 50V J RECT.	チ ッ プ セ ラ (C H)		
C357	US064100	CERAMIC CAPACITOR-B (CHIP)	0.0100 50V K RECT.	チ ッ プ セ ラ (B)		
C358	US064100	CERAMIC CAPACITOR-B (CHIP)	0.0100 50V K RECT.	チ ッ プ セ ラ (B)	}	01
C359	UA354330	POLYESTER FILM CAPACITOR	0.0330 50V J RX TP	マ イ ラ ー コ ン		
C359	UA654330	POLYESTER FILM CAPACITOR	0.0330 50V J RX TP	マ イ ラ ー コ ン		
C360	US064100	CERAMIC CAPACITOR-B (CHIP)	0.0100 50V K RECT.	チ ッ プ セ ラ (B)		
C361	UR857470	ELECTROLYTIC CAPACITOR	47.00 35.0V RX TP	ケ ミ コ ン		
C362	US063100	CERAMIC CAPACITOR-B (CHIP)	1000P 50V K RECT.	チ ッ プ セ ラ (B)		
C401	UR867100	ELECTROLYTIC CAPACITOR	10.00 50.0V RX TP	ケ ミ コ ン		
C402	UR867100	ELECTROLYTIC CAPACITOR	10.00 50.0V RX TP	ケ ミ コ ン		
C403	US062470	CERAMIC CAPACITOR-SL (CHIP)	470P 50V J RECT.	チ ッ プ セ ラ (S L)		01
C404	US062470	CERAMIC CAPACITOR-SL (CHIP)	470P 50V J RECT.	チ ッ プ セ ラ (S L)		01
C405	US063100	CERAMIC CAPACITOR-B (CHIP)	1000P 50V K RECT.	チ ッ プ セ ラ (B)		
C406	US061100	CERAMIC CAPACITOR-CH (CHIP)	10P 50V D RECT.	チ ッ プ セ ラ (C H)		
C407	UU218470	ELECTROLYTIC CAPACITOR-FW	470.00 6.3V RX TP	ケ ミ コ ン F W		01
C408	US063100	CERAMIC CAPACITOR-B (CHIP)	1000P 50V K RECT.	チ ッ プ セ ラ (B)		
C409	US061100	CERAMIC CAPACITOR-CH (CHIP)	10P 50V D RECT.	チ ッ プ セ ラ (C H)		
C410	US062220	CERAMIC CAPACITOR-SL (CHIP)	220P 50V J RECT.	チ ッ プ セ ラ (S L)		
C411	US061330	CERAMIC CAPACITOR-CH (CHIP)	33P 50V J RECT.	チ ッ プ セ ラ (C H)		
C412	UN827470	ELECTROLYTIC CAP-BP	47.00 10.0V RX TP	B P ケ ミ コ ン		01
C413	US062220	CERAMIC CAPACITOR-SL (CHIP)	220P 50V J RECT.	チ ッ プ セ ラ (S L)		
C414	US06168R	CERAMIC CAPACITOR-SL (CHIP)	68P 50V J RECT.	チ ッ プ セ ラ (S L)		01
C415	UR867100	ELECTROLYTIC CAPACITOR	10.00 50.0V RX TP	ケ ミ コ ン		
C416	UN827470	ELECTROLYTIC CAP-BP	47.00 10.0V RX TP	B P ケ ミ コ ン		01
C417	UA354820	POLYESTER FILM CAPACITOR	0.082 50V J RX TP	マ イ ラ ー コ ン	}	01
C417	UA654820	POLYESTER FILM CAPACITOR	0.0820 50V J RX TP	マ イ ラ ー コ ン		
C418	US062100	CERAMIC CAPACITOR-SL (CHIP)	100P 50V J RECT.	チ ッ プ セ ラ (S L)		

*: New Parts

RANK: Japan only

IN1

REF NO.	PART NO.	DESCRIPTION		部 品 名	REMARKS	QTY	RANK
C419	UA354820	POLYESTER FILM CAPACITOR	0.082 50V J RX TP	マ イ ラ - コ ン			01
C419	UA654820	POLYESTER FILM CAPACITOR	0.0820 50V J RX TP	マ イ ラ - コ ン			
C420	US062100	CERAMIC CAPACITOR-SL (CHIP)	100P 50V J RECT.	チ ッ プ セ ラ (S L)			
C421	US062100	CERAMIC CAPACITOR-SL (CHIP)	100P 50V J RECT.	チ ッ プ セ ラ (S L)			
C422	US061470	CERAMIC CAPACITOR-CH (CHIP)	47P 50V J RECT.	チ ッ プ セ ラ (C H)			
C423	UR857470	ELECTROLYTIC CAPACITOR	47.00 35.0V RX TP	ケ ミ コ ン			
-427	UR857470	ELECTROLYTIC CAPACITOR	47.00 35.0V RX TP	ケ ミ コ ン			
C428	UU248100	ELECTROLYTIC CAPACITOR-FW	100.00 25.0V RX TP	ケ ミ コ ン F W			
C430	US062220	CERAMIC CAPACITOR-SL (CHIP)	220P 50V J RECT.	チ ッ プ セ ラ (S L)			
C431	US06168R	CERAMIC CAPACITOR-SL (CHIP)	68P 50V J RECT.	チ ッ プ セ ラ (S L)			
C433	UU248100	ELECTROLYTIC CAPACITOR-FW	100.00 25.0V RX TP	ケ ミ コ ン F W			01
C434	UR857470	ELECTROLYTIC CAPACITOR	47.00 35.0V RX TP	ケ ミ コ ン			
C435	UA354390	POLYESTER FILM CAPACITOR	0.0390 50V J RX TP	マ イ ラ - コ ン			
C435	UA654390	POLYESTER FILM CAPACITOR	0.0390 50V J RX TP	マ イ ラ - コ ン			
C436	UA352820	POLYESTER FILM CAPACITOR	820P 50V J RX TP	マ イ ラ - コ ン			
C436	UA652820	POLYESTER FILM CAPACITOR	820P 50V J RX TP	マ イ ラ - コ ン			
C437	US061100	CERAMIC CAPACITOR-CH (CHIP)	10P 50V D RECT.	チ ッ プ セ ラ (C H)			
C438	US062100	CERAMIC CAPACITOR-SL (CHIP)	100P 50V J RECT.	チ ッ プ セ ラ (S L)			
C439	UA353220	POLYESTER FILM CAPACITOR	2200P 50V J RX TP	マ イ ラ - コ ン			
C439	UA653220	POLYESTER FILM CAPACITOR	2200P 50V J RX TP	マ イ ラ - コ ン			
C440	US062100	CERAMIC CAPACITOR-SL (CHIP)	100P 50V J RECT.	チ ッ プ セ ラ (S L)			01
C441	US061470	CERAMIC CAPACITOR-CH (CHIP)	47P 50V J RECT.	チ ッ プ セ ラ (C H)			
C442	UA353560	POLYESTER FILM CAPACITOR	5600P 50V J RX TP	マ イ ラ - コ ン			
C442	UA653560	POLYESTER FILM CAPACITOR	5600P 50V J RX TP	マ イ ラ - コ ン			
C443	UA35412R	POLYESTER FILM CAPACITOR	0.0120 50V J RX TP	マ イ ラ - コ ン			
C443	UA654120	POLYESTER FILM CAPACITOR	0.0120 50V J RX TP	マ イ ラ - コ ン			01
C444	US062100	CERAMIC CAPACITOR-SL (CHIP)	100P 50V J RECT.	チ ッ プ セ ラ (S L)			
C445	US061470	CERAMIC CAPACITOR-CH (CHIP)	47P 50V J RECT.	チ ッ プ セ ラ (C H)			
C446	UA354330	POLYESTER FILM CAPACITOR	0.0330 50V J RX TP	マ イ ラ - コ ン			
C446	UA654330	POLYESTER FILM CAPACITOR	0.0330 50V J RX TP	マ イ ラ - コ ン			
C447	UR857470	ELECTROLYTIC CAPACITOR	47.00 35.0V RX TP	ケ ミ コ ン			
C448	US063100	CERAMIC CAPACITOR-B (CHIP)	1000P 50V K RECT.	チ ッ プ セ ラ (B)			
C449	UR867100	ELECTROLYTIC CAPACITOR	10.00 50.0V RX TP	ケ ミ コ ン			
C501	UR867100	ELECTROLYTIC CAPACITOR	10.00 50.0V RX TP	ケ ミ コ ン			
C502	UR867100	ELECTROLYTIC CAPACITOR	10.00 50.0V RX TP	ケ ミ コ ン			
C503	US062470	CERAMIC CAPACITOR-SL (CHIP)	470P 50V J RECT.	チ ッ プ セ ラ (S L)			01
C504	US062470	CERAMIC CAPACITOR-SL (CHIP)	470P 50V J RECT.	チ ッ プ セ ラ (S L)			
C505	US063100	CERAMIC CAPACITOR-B (CHIP)	1000P 50V K RECT.	チ ッ プ セ ラ (B)			
C506	US061100	CERAMIC CAPACITOR-CH (CHIP)	10P 50V D RECT.	チ ッ プ セ ラ (C H)			
C507	UU218470	ELECTROLYTIC CAPACITOR-FW	470.00 6.3V RX TP	ケ ミ コ ン F W			
C508	US063100	CERAMIC CAPACITOR-B (CHIP)	1000P 50V K RECT.	チ ッ プ セ ラ (B)			01
C509	US061100	CERAMIC CAPACITOR-CH (CHIP)	10P 50V D RECT.	チ ッ プ セ ラ (C H)			
C510	US062220	CERAMIC CAPACITOR-SL (CHIP)	220P 50V J RECT.	チ ッ プ セ ラ (S L)			
C511	US061330	CERAMIC CAPACITOR-CH (CHIP)	33P 50V J RECT.	チ ッ プ セ ラ (C H)			
C512	UN827470	ELECTROLYTIC CAP-BP	47.00 10.0V RX TP	B P ケ ミ コ ン			
C513	US062220	CERAMIC CAPACITOR-SL (CHIP)	220P 50V J RECT.	チ ッ プ セ ラ (S L)			01
C514	US06168R	CERAMIC CAPACITOR-SL (CHIP)	68P 50V J RECT.	チ ッ プ セ ラ (S L)			
C515	UR867100	ELECTROLYTIC CAPACITOR	10.00 50.0V RX TP	ケ ミ コ ン			
C516	UN827470	ELECTROLYTIC CAP-BP	47.00 10.0V RX TP	B P ケ ミ コ ン			
C517	UA354820	POLYESTER FILM CAPACITOR	0.082 50V J RX TP	マ イ ラ - コ ン			
C517	UA654820	POLYESTER FILM CAPACITOR	0.0820 50V J RX TP	マ イ ラ - コ ン			01
C518	US062100	CERAMIC CAPACITOR-SL (CHIP)	100P 50V J RECT.	チ ッ プ セ ラ (S L)			
C519	UA354820	POLYESTER FILM CAPACITOR	0.082 50V J RX TP	マ イ ラ - コ ン			
C519	UA654820	POLYESTER FILM CAPACITOR	0.0820 50V J RX TP	マ イ ラ - コ ン			
C520	US062100	CERAMIC CAPACITOR-SL (CHIP)	100P 50V J RECT.	チ ッ プ セ ラ (S L)			
C521	US062100	CERAMIC CAPACITOR-SL (CHIP)	100P 50V J RECT.	チ ッ プ セ ラ (S L)			
C522	US061470	CERAMIC CAPACITOR-CH (CHIP)	47P 50V J RECT.	チ ッ プ セ ラ (C H)			
C523	UR857470	ELECTROLYTIC CAPACITOR	47.00 35.0V RX TP	ケ ミ コ ン			
-527	UR857470	ELECTROLYTIC CAPACITOR	47.00 35.0V RX TP	ケ ミ コ ン			
C528	UU248100	ELECTROLYTIC CAPACITOR-FW	100.00 25.0V RX TP	ケ ミ コ ン F W			
C530	US062220	CERAMIC CAPACITOR-SL (CHIP)	220P 50V J RECT.	チ ッ プ セ ラ (S L)			01
C531	US06168R	CERAMIC CAPACITOR-SL (CHIP)	68P 50V J RECT.	チ ッ プ セ ラ (S L)			
C533	UU248100	ELECTROLYTIC CAPACITOR-FW	100.00 25.0V RX TP	ケ ミ コ ン F W			
C534	UR857470	ELECTROLYTIC CAPACITOR	47.00 35.0V RX TP	ケ ミ コ ン			
C535	US064100	CERAMIC CAPACITOR-B (CHIP)	0.0100 50V K RECT.	チ ッ プ セ ラ (B)			
C536	UA354390	POLYESTER FILM CAPACITOR	0.0390 50V J RX TP	マ イ ラ - コ ン			01
C536	UA654390	POLYESTER FILM CAPACITOR	0.0390 50V J RX TP	マ イ ラ - コ ン			
C537	UA352820	POLYESTER FILM CAPACITOR	820P 50V J RX TP	マ イ ラ - コ ン			
C537	UA652820	POLYESTER FILM CAPACITOR	820P 50V J RX TP	マ イ ラ - コ ン			
C538	US064100	CERAMIC CAPACITOR-B (CHIP)	0.0100 50V K RECT.	チ ッ プ セ ラ (B)			

*: New Parts

RANK: Japan only

IN1

REF NO.	PART NO.	DESCRIPTION	部 品 名	REMARKS	QTY	RANK
C539	US064100	CERAMIC CAPACITOR-B (CHIP)	0.0100 50V K RECT.	チップセラ (B)		
C540	US061100	CERAMIC CAPACITOR-CH (CHIP)	10P 50V D RECT.	チップセラ (C H)		
C541	US062100	CERAMIC CAPACITOR-SL (CHIP)	100P 50V J RECT.	チップセラ (S L)		
C542	US064100	CERAMIC CAPACITOR-B (CHIP)	0.0100 50V K RECT.	チップセラ (B)		
C543	US064100	CERAMIC CAPACITOR-B (CHIP)	0.0100 50V K RECT.	チップセラ (B)		
C544	UA353220	POLYESTER FILM CAPACITOR	2200P 50V J RX TP	マイラ - コ ン	}	
C544	UA653220	POLYESTER FILM CAPACITOR	2200P 50V J RX TP	マイラ - コ ン		
C545	US062100	CERAMIC CAPACITOR-SL (CHIP)	100P 50V J RECT.	チップセラ (S L)		
C546	US064100	CERAMIC CAPACITOR-B (CHIP)	0.0100 50V K RECT.	チップセラ (B)		
C547	US064100	CERAMIC CAPACITOR-B (CHIP)	0.0100 50V K RECT.	チップセラ (B)		
C548	US061470	CERAMIC CAPACITOR-CH (CHIP)	47P 50V J RECT.	チップセラ (C H)		
C549	US064100	CERAMIC CAPACITOR-B (CHIP)	0.0100 50V K RECT.	チップセラ (B)		
C550	UA353560	POLYESTER FILM CAPACITOR	5600P 50V J RX TP	マイラ - コ ン	}	
C550	UA653560	POLYESTER FILM CAPACITOR	5600P 50V J RX TP	マイラ - コ ン		
C551	US064100	CERAMIC CAPACITOR-B (CHIP)	0.0100 50V K RECT.	チップセラ (B)		
C552	UA35412R	POLYESTER FILM CAPACITOR	0.0120 50V J RX TP	マイラ - コ ン	}	01
C552	UA654120	POLYESTER FILM CAPACITOR	0.0120 50V J RX TP	マイラ - コ ン		
C553	US064100	CERAMIC CAPACITOR-B (CHIP)	0.0100 50V K RECT.	チップセラ (B)		
C554	US062100	CERAMIC CAPACITOR-SL (CHIP)	100P 50V J RECT.	チップセラ (S L)		
C555	US064100	CERAMIC CAPACITOR-B (CHIP)	0.0100 50V K RECT.	チップセラ (B)		
C556	US061470	CERAMIC CAPACITOR-CH (CHIP)	47P 50V J RECT.	チップセラ (C H)		
C557	US064100	CERAMIC CAPACITOR-B (CHIP)	0.0100 50V K RECT.	チップセラ (B)		
C558	US064100	CERAMIC CAPACITOR-B (CHIP)	0.0100 50V K RECT.	チップセラ (B)		
C559	UA354330	POLYESTER FILM CAPACITOR	0.0330 50V J RX TP	マイラ - コ ン	}	01
C559	UA654330	POLYESTER FILM CAPACITOR	0.0330 50V J RX TP	マイラ - コ ン		
C560	US064100	CERAMIC CAPACITOR-B (CHIP)	0.0100 50V K RECT.	チップセラ (B)		
C561	UR857470	ELECTROLYTIC CAPACITOR	47.00 35.0V RX TP	ケ ミ コ ン		
C562	US063100	CERAMIC CAPACITOR-B (CHIP)	1000P 50V K RECT.	チップセラ (B)		
C601	UR867100	ELECTROLYTIC CAPACITOR	10.00 50.0V RX TP	ケ ミ コ ン		
C602	UR867100	ELECTROLYTIC CAPACITOR	10.00 50.0V RX TP	ケ ミ コ ン		
C603	US062470	CERAMIC CAPACITOR-SL (CHIP)	470P 50V J RECT.	チップセラ (S L)		01
C604	US062470	CERAMIC CAPACITOR-SL (CHIP)	470P 50V J RECT.	チップセラ (S L)		01
C605	US063100	CERAMIC CAPACITOR-B (CHIP)	1000P 50V K RECT.	チップセラ (B)		
C606	US061100	CERAMIC CAPACITOR-CH (CHIP)	10P 50V D RECT.	チップセラ (C H)		
C607	UU218470	ELECTROLYTIC CAPACITOR-FW	470.00 6.3V RX TP	ケ ミ コ ン F W		01
C608	US063100	CERAMIC CAPACITOR-B (CHIP)	1000P 50V K RECT.	チップセラ (B)		
C609	US061100	CERAMIC CAPACITOR-CH (CHIP)	10P 50V D RECT.	チップセラ (C H)		
C610	US062220	CERAMIC CAPACITOR-SL (CHIP)	220P 50V J RECT.	チップセラ (S L)		
C611	US061330	CERAMIC CAPACITOR-CH (CHIP)	33P 50V J RECT.	チップセラ (C H)		
C612	UN827470	ELECTROLYTIC CAP-BP	47.00 10.0V RX TP	B P ケ ミ コ ン		01
C613	US062220	CERAMIC CAPACITOR-SL (CHIP)	220P 50V J RECT.	チップセラ (S L)		
C614	US06168R	CERAMIC CAPACITOR-SL (CHIP)	68P 50V J RECT.	チップセラ (S L)		01
C615	UR867100	ELECTROLYTIC CAPACITOR	10.00 50.0V RX TP	ケ ミ コ ン		
C616	UN827470	ELECTROLYTIC CAP-BP	47.00 10.0V RX TP	B P ケ ミ コ ン		01
C617	UA354820	POLYESTER FILM CAPACITOR	0.082 50V J RX TP	マイラ - コ ン	}	01
C617	UA654820	POLYESTER FILM CAPACITOR	0.0820 50V J RX TP	マイラ - コ ン		
C618	US062100	CERAMIC CAPACITOR-SL (CHIP)	100P 50V J RECT.	チップセラ (S L)		
C619	UA354820	POLYESTER FILM CAPACITOR	0.082 50V J RX TP	マイラ - コ ン	}	01
C619	UA654820	POLYESTER FILM CAPACITOR	0.0820 50V J RX TP	マイラ - コ ン		
C620	US062100	CERAMIC CAPACITOR-SL (CHIP)	100P 50V J RECT.	チップセラ (S L)		
C621	US062100	CERAMIC CAPACITOR-SL (CHIP)	100P 50V J RECT.	チップセラ (S L)		
C622	US061470	CERAMIC CAPACITOR-CH (CHIP)	47P 50V J RECT.	チップセラ (C H)		
C623	UR857470	ELECTROLYTIC CAPACITOR	47.00 35.0V RX TP	ケ ミ コ ン		
-627	UR857470	ELECTROLYTIC CAPACITOR	47.00 35.0V RX TP	ケ ミ コ ン		
C628	UU248100	ELECTROLYTIC CAPACITOR-FW	100.00 25.0V RX TP	ケ ミ コ ン F W		
C630	US062220	CERAMIC CAPACITOR-SL (CHIP)	220P 50V J RECT.	チップセラ (S L)		
C631	US06168R	CERAMIC CAPACITOR-SL (CHIP)	68P 50V J RECT.	チップセラ (S L)		01
C633	UU248100	ELECTROLYTIC CAPACITOR-FW	100.00 25.0V RX TP	ケ ミ コ ン F W		
C634	UR857470	ELECTROLYTIC CAPACITOR	47.00 35.0V RX TP	ケ ミ コ ン		
C635	UA354390	POLYESTER FILM CAPACITOR	0.0390 50V J RX TP	マイラ - コ ン	}	01
C635	UA654390	POLYESTER FILM CAPACITOR	0.0390 50V J RX TP	マイラ - コ ン		
C636	UA352820	POLYESTER FILM CAPACITOR	820P 50V J RX TP	マイラ - コ ン	}	
C636	UA652820	POLYESTER FILM CAPACITOR	820P 50V J RX TP	マイラ - コ ン		
C637	US061100	CERAMIC CAPACITOR-CH (CHIP)	10P 50V D RECT.	チップセラ (C H)		
C638	US062100	CERAMIC CAPACITOR-SL (CHIP)	100P 50V J RECT.	チップセラ (S L)		
C639	UA353220	POLYESTER FILM CAPACITOR	2200P 50V J RX TP	マイラ - コ ン	}	
C639	UA653220	POLYESTER FILM CAPACITOR	2200P 50V J RX TP	マイラ - コ ン		
C640	US062100	CERAMIC CAPACITOR-SL (CHIP)	100P 50V J RECT.	チップセラ (S L)		
C641	US061470	CERAMIC CAPACITOR-CH (CHIP)	47P 50V J RECT.	チップセラ (C H)		
C642	UA353560	POLYESTER FILM CAPACITOR	5600P 50V J RX TP	マイラ - コ ン		

*: New Parts

RANK: Japan only

IN1

REF NO.	PART NO.	DESCRIPTION		部 品 名	REMARKS	QTY	RANK
C642	UA653560	POLYESTER FILM CAPACITOR	5600P 50V J RX TP	マ イ ラ - コ ン			01
C643	UA35412R	POLYESTER FILM CAPACITOR	0.0120 50V J RX TP	マ イ ラ - コ ン			
C643	UA654120	POLYESTER FILM CAPACITOR	0.0120 50V J RX TP	マ イ ラ - コ ン			
C644	US062100	CERAMIC CAPACITOR-SL (CHIP)	100P 50V J RECT.	チ ッ プ セ ラ (S L)			
C645	US061470	CERAMIC CAPACITOR-CH (CHIP)	47P 50V J RECT.	チ ッ プ セ ラ (C H)			
C646	UA354330	POLYESTER FILM CAPACITOR	0.0330 50V J RX TP	マ イ ラ - コ ン			01
C646	UA654330	POLYESTER FILM CAPACITOR	0.0330 50V J RX TP	マ イ ラ - コ ン			
C647	UR857470	ELECTROLYTIC CAPACITOR	47.00 35.0V RX TP	ケ ミ コ ン			
C648	US063100	CERAMIC CAPACITOR-B (CHIP)	1000P 50V K RECT.	チ ッ プ セ ラ (B)			
C701	UR867100	ELECTROLYTIC CAPACITOR	10.00 50.0V RX TP	ケ ミ コ ン			
C702	UR867100	ELECTROLYTIC CAPACITOR	10.00 50.0V RX TP	ケ ミ コ ン			01 01
C703	US062470	CERAMIC CAPACITOR-SL (CHIP)	470P 50V J RECT.	チ ッ プ セ ラ (S L)			
C704	US062470	CERAMIC CAPACITOR-SL (CHIP)	470P 50V J RECT.	チ ッ プ セ ラ (S L)			
C705	US063100	CERAMIC CAPACITOR-B (CHIP)	1000P 50V K RECT.	チ ッ プ セ ラ (B)			
C706	US061100	CERAMIC CAPACITOR-CH (CHIP)	10P 50V D RECT.	チ ッ プ セ ラ (C H)			
C707	UU218470	ELECTROLYTIC CAPACITOR-FW	470.00 6.3V RX TP	ケ ミ コ ン F W			
C708	US063100	CERAMIC CAPACITOR-B (CHIP)	1000P 50V K RECT.	チ ッ プ セ ラ (B)			01
C709	US061100	CERAMIC CAPACITOR-CH (CHIP)	10P 50V D RECT.	チ ッ プ セ ラ (C H)			
C710	US062220	CERAMIC CAPACITOR-SL (CHIP)	220P 50V J RECT.	チ ッ プ セ ラ (S L)			
C711	US061330	CERAMIC CAPACITOR-CH (CHIP)	33P 50V J RECT.	チ ッ プ セ ラ (C H)			
C712	UN827470	ELECTROLYTIC CAP-BP	47.00 10.0V RX TP	B P ケ ミ コ ン			
C713	US062220	CERAMIC CAPACITOR-SL (CHIP)	220P 50V J RECT.	チ ッ プ セ ラ (S L)			01
C714	US06168R	CERAMIC CAPACITOR-SL (CHIP)	68P 50V J RECT.	チ ッ プ セ ラ (S L)			
C715	UR867100	ELECTROLYTIC CAPACITOR	10.00 50.0V RX TP	ケ ミ コ ン			01
C716	UN827470	ELECTROLYTIC CAP-BP	47.00 10.0V RX TP	B P ケ ミ コ ン			
C717	UA354820	POLYESTER FILM CAPACITOR	0.082 50V J RX TP	マ イ ラ - コ ン			01
C717	UA654820	POLYESTER FILM CAPACITOR	0.0820 50V J RX TP	マ イ ラ - コ ン			
C718	US062100	CERAMIC CAPACITOR-SL (CHIP)	100P 50V J RECT.	チ ッ プ セ ラ (S L)			
C719	UA354820	POLYESTER FILM CAPACITOR	0.082 50V J RX TP	マ イ ラ - コ ン			
C719	UA654820	POLYESTER FILM CAPACITOR	0.0820 50V J RX TP	マ イ ラ - コ ン			
C720	US062100	CERAMIC CAPACITOR-SL (CHIP)	100P 50V J RECT.	チ ッ プ セ ラ (S L)			01
C721	US062100	CERAMIC CAPACITOR-SL (CHIP)	100P 50V J RECT.	チ ッ プ セ ラ (S L)			
C722	US061470	CERAMIC CAPACITOR-CH (CHIP)	47P 50V J RECT.	チ ッ プ セ ラ (C H)			
C723	UR857470	ELECTROLYTIC CAPACITOR	47.00 35.0V RX TP	ケ ミ コ ン			
-727	UR857470	ELECTROLYTIC CAPACITOR	47.00 35.0V RX TP	ケ ミ コ ン			
C728	UU248100	ELECTROLYTIC CAPACITOR-FW	100.00 25.0V RX TP	ケ ミ コ ン F W			01
C730	US062220	CERAMIC CAPACITOR-SL (CHIP)	220P 50V J RECT.	チ ッ プ セ ラ (S L)			
C731	US06168R	CERAMIC CAPACITOR-SL (CHIP)	68P 50V J RECT.	チ ッ プ セ ラ (S L)			
C733	UU248100	ELECTROLYTIC CAPACITOR-FW	100.00 25.0V RX TP	ケ ミ コ ン F W			
C734	UR857470	ELECTROLYTIC CAPACITOR	47.00 35.0V RX TP	ケ ミ コ ン			
C735	US064100	CERAMIC CAPACITOR-B (CHIP)	0.0100 50V K RECT.	チ ッ プ セ ラ (B)			01
C736	UA354390	POLYESTER FILM CAPACITOR	0.0390 50V J RX TP	マ イ ラ - コ ン			
C736	UA654390	POLYESTER FILM CAPACITOR	0.0390 50V J RX TP	マ イ ラ - コ ン			
C737	UA352820	POLYESTER FILM CAPACITOR	820P 50V J RX TP	マ イ ラ - コ ン			
C737	UA652820	POLYESTER FILM CAPACITOR	820P 50V J RX TP	マ イ ラ - コ ン			
C738	US064100	CERAMIC CAPACITOR-B (CHIP)	0.0100 50V K RECT.	チ ッ プ セ ラ (B)			01
C739	US064100	CERAMIC CAPACITOR-B (CHIP)	0.0100 50V K RECT.	チ ッ プ セ ラ (B)			
C740	US061100	CERAMIC CAPACITOR-CH (CHIP)	10P 50V D RECT.	チ ッ プ セ ラ (C H)			
C741	US062100	CERAMIC CAPACITOR-SL (CHIP)	100P 50V J RECT.	チ ッ プ セ ラ (S L)			
C742	US064100	CERAMIC CAPACITOR-B (CHIP)	0.0100 50V K RECT.	チ ッ プ セ ラ (B)			
C743	US064100	CERAMIC CAPACITOR-B (CHIP)	0.0100 50V K RECT.	チ ッ プ セ ラ (B)			01
C744	UA353220	POLYESTER FILM CAPACITOR	2200P 50V J RX TP	マ イ ラ - コ ン			
C744	UA653220	POLYESTER FILM CAPACITOR	2200P 50V J RX TP	マ イ ラ - コ ン			
C745	US062100	CERAMIC CAPACITOR-SL (CHIP)	100P 50V J RECT.	チ ッ プ セ ラ (S L)			
C746	US064100	CERAMIC CAPACITOR-B (CHIP)	0.0100 50V K RECT.	チ ッ プ セ ラ (B)			
C747	US064100	CERAMIC CAPACITOR-B (CHIP)	0.0100 50V K RECT.	チ ッ プ セ ラ (B)			01
C748	US061470	CERAMIC CAPACITOR-CH (CHIP)	47P 50V J RECT.	チ ッ プ セ ラ (C H)			
C749	US064100	CERAMIC CAPACITOR-B (CHIP)	0.0100 50V K RECT.	チ ッ プ セ ラ (B)			
C750	UA353560	POLYESTER FILM CAPACITOR	5600P 50V J RX TP	マ イ ラ - コ ン			
C750	UA653560	POLYESTER FILM CAPACITOR	5600P 50V J RX TP	マ イ ラ - コ ン			
C751	US064100	CERAMIC CAPACITOR-B (CHIP)	0.0100 50V K RECT.	チ ッ プ セ ラ (B)			01
C752	UA35412R	POLYESTER FILM CAPACITOR	0.0120 50V J RX TP	マ イ ラ - コ ン			
C752	UA654120	POLYESTER FILM CAPACITOR	0.0120 50V J RX TP	マ イ ラ - コ ン			
C753	US064100	CERAMIC CAPACITOR-B (CHIP)	0.0100 50V K RECT.	チ ッ プ セ ラ (B)			
C754	US062100	CERAMIC CAPACITOR-SL (CHIP)	100P 50V J RECT.	チ ッ プ セ ラ (S L)			
C755	US064100	CERAMIC CAPACITOR-B (CHIP)	0.0100 50V K RECT.	チ ッ プ セ ラ (B)			01
C756	US061470	CERAMIC CAPACITOR-CH (CHIP)	47P 50V J RECT.	チ ッ プ セ ラ (C H)			
C757	US064100	CERAMIC CAPACITOR-B (CHIP)	0.0100 50V K RECT.	チ ッ プ セ ラ (B)			
C758	US064100	CERAMIC CAPACITOR-B (CHIP)	0.0100 50V K RECT.	チ ッ プ セ ラ (B)			
C759	UA354330	POLYESTER FILM CAPACITOR	0.0330 50V J RX TP	マ イ ラ - コ ン			

*: New Parts

RANK: Japan only

IN1

REF NO.	PART NO.	DESCRIPTION	部 品 名	REMARKS	QTY	RANK	
C759	UA654330	POLYESTER FILM CAPACITOR	0.0330 50V J RX TP	マ イ ラ ー コ ン			
C760	US064100	CERAMIC CAPACITOR-B (CHIP)	0.0100 50V K RECT.	チ ッ プ セ ラ (B)			
C761	UR857470	ELECTROLYTIC CAPACITOR	47.00 35.0V RX TP	ケ ミ コ ン			
C762	US063100	CERAMIC CAPACITOR-B (CHIP)	1000P 50V K RECT.	チ ッ プ セ ラ (B)			
C801	UR867100	ELECTROLYTIC CAPACITOR	10.00 50.0V RX TP	ケ ミ コ ン			
C802	UR867100	ELECTROLYTIC CAPACITOR	10.00 50.0V RX TP	ケ ミ コ ン			
C803	US062470	CERAMIC CAPACITOR-SL (CHIP)	470P 50V J RECT.	チ ッ プ セ ラ (S L)			
C804	US062470	CERAMIC CAPACITOR-SL (CHIP)	470P 50V J RECT.	チ ッ プ セ ラ (S L)			
C805	US063100	CERAMIC CAPACITOR-B (CHIP)	1000P 50V K RECT.	チ ッ プ セ ラ (B)			
C806	US061100	CERAMIC CAPACITOR-CH (CHIP)	10P 50V D RECT.	チ ッ プ セ ラ (C H)			
C807	UU218470	ELECTROLYTIC CAPACITOR-FW	470.00 6.3V RX TP	ケ ミ コ ン F W		01	
C808	US063100	CERAMIC CAPACITOR-B (CHIP)	1000P 50V K RECT.	チ ッ プ セ ラ (B)			
C809	US061100	CERAMIC CAPACITOR-CH (CHIP)	10P 50V D RECT.	チ ッ プ セ ラ (C H)			
C810	US062220	CERAMIC CAPACITOR-SL (CHIP)	220P 50V J RECT.	チ ッ プ セ ラ (S L)			
C811	US061330	CERAMIC CAPACITOR-CH (CHIP)	33P 50V J RECT.	チ ッ プ セ ラ (C H)			
C812	UN827470	ELECTROLYTIC CAP-BP	47.00 10.0V RX TP	B P ケ ミ コ ン			
C813	US062220	CERAMIC CAPACITOR-SL (CHIP)	220P 50V J RECT.	チ ッ プ セ ラ (S L)			
C814	US06168R	CERAMIC CAPACITOR-SL (CHIP)	68P 50V J RECT.	チ ッ プ セ ラ (S L)			
C815	UR867100	ELECTROLYTIC CAPACITOR	10.00 50.0V RX TP	ケ ミ コ ン			
C816	UN827470	ELECTROLYTIC CAP-BP	47.00 10.0V RX TP	B P ケ ミ コ ン			
C817	UA354820	POLYESTER FILM CAPACITOR	0.082 50V J RX TP	マ イ ラ ー コ ン		01	
C817	UA654820	POLYESTER FILM CAPACITOR	0.0820 50V J RX TP	マ イ ラ ー コ ン			
C818	US062100	CERAMIC CAPACITOR-SL (CHIP)	100P 50V J RECT.	チ ッ プ セ ラ (S L)			
C819	UA354820	POLYESTER FILM CAPACITOR	0.082 50V J RX TP	マ イ ラ ー コ ン			
C819	UA654820	POLYESTER FILM CAPACITOR	0.0820 50V J RX TP	マ イ ラ ー コ ン			
C820	US062100	CERAMIC CAPACITOR-SL (CHIP)	100P 50V J RECT.	チ ッ プ セ ラ (S L)			
C821	US062100	CERAMIC CAPACITOR-SL (CHIP)	100P 50V J RECT.	チ ッ プ セ ラ (S L)			
C822	US061470	CERAMIC CAPACITOR-CH (CHIP)	47P 50V J RECT.	チ ッ プ セ ラ (C H)			
C823	UR857470	ELECTROLYTIC CAPACITOR	47.00 35.0V RX TP	ケ ミ コ ン			
-827	UR857470	ELECTROLYTIC CAPACITOR	47.00 35.0V RX TP	ケ ミ コ ン			
C828	UU248100	ELECTROLYTIC CAPACITOR-FW	100.00 25.0V RX TP	ケ ミ コ ン F W		01	
C830	US062220	CERAMIC CAPACITOR-SL (CHIP)	220P 50V J RECT.	チ ッ プ セ ラ (S L)			
C831	US06168R	CERAMIC CAPACITOR-SL (CHIP)	68P 50V J RECT.	チ ッ プ セ ラ (S L)			
C833	UU248100	ELECTROLYTIC CAPACITOR-FW	100.00 25.0V RX TP	ケ ミ コ ン F W			
C834	UR857470	ELECTROLYTIC CAPACITOR	47.00 35.0V RX TP	ケ ミ コ ン			
C835	UA354390	POLYESTER FILM CAPACITOR	0.0390 50V J RX TP	マ イ ラ ー コ ン			
C835	UA654390	POLYESTER FILM CAPACITOR	0.0390 50V J RX TP	マ イ ラ ー コ ン			
C836	UA352820	POLYESTER FILM CAPACITOR	820P 50V J RX TP	マ イ ラ ー コ ン			
C836	UA652820	POLYESTER FILM CAPACITOR	820P 50V J RX TP	マ イ ラ ー コ ン			
C837	US061100	CERAMIC CAPACITOR-CH (CHIP)	10P 50V D RECT.	チ ッ プ セ ラ (C H)			
C838	US062100	CERAMIC CAPACITOR-SL (CHIP)	100P 50V J RECT.	チ ッ プ セ ラ (S L)		01	
C839	UA353220	POLYESTER FILM CAPACITOR	2200P 50V J RX TP	マ イ ラ ー コ ン			
C839	UA653220	POLYESTER FILM CAPACITOR	2200P 50V J RX TP	マ イ ラ ー コ ン			
C840	US062100	CERAMIC CAPACITOR-SL (CHIP)	100P 50V J RECT.	チ ッ プ セ ラ (S L)			
C841	US061470	CERAMIC CAPACITOR-CH (CHIP)	47P 50V J RECT.	チ ッ プ セ ラ (C H)			
C842	UA353560	POLYESTER FILM CAPACITOR	5600P 50V J RX TP	マ イ ラ ー コ ン			
C842	UA653560	POLYESTER FILM CAPACITOR	5600P 50V J RX TP	マ イ ラ ー コ ン			
C843	UA35412R	POLYESTER FILM CAPACITOR	0.0120 50V J RX TP	マ イ ラ ー コ ン			
C843	UA65412R	POLYESTER FILM CAPACITOR	0.0120 50V J RX TP	マ イ ラ ー コ ン			
C844	US062100	CERAMIC CAPACITOR-SL (CHIP)	100P 50V J RECT.	チ ッ プ セ ラ (S L)			
C845	US061470	CERAMIC CAPACITOR-CH (CHIP)	47P 50V J RECT.	チ ッ プ セ ラ (C H)		01	
C846	UA354330	POLYESTER FILM CAPACITOR	0.0330 50V J RX TP	マ イ ラ ー コ ン			
C846	UA654330	POLYESTER FILM CAPACITOR	0.0330 50V J RX TP	マ イ ラ ー コ ン			
C847	UR857470	ELECTROLYTIC CAPACITOR	47.00 35.0V RX TP	ケ ミ コ ン			
C848	US063100	CERAMIC CAPACITOR-B (CHIP)	1000P 50V K RECT.	チ ッ プ セ ラ (B)			
CN101	VB390500	CONNECTOR BASE POST, TOP	PH 9P TE	ベ ー ス ポ ス ト			01
CN102	VQ047200	FFC CONNECTOR	52045 9P TE	F F C コ ネ ク タ ー			
CN103	VK02560R	WIRE TRAP	52147 12P TE	ワ イ ヤ ー ト ラ ッ プ			
CN201	VB390500	CONNECTOR BASE POST, TOP	PH 9P TE	ベ ー ス ポ ス ト			
CN202	VQ04710R	FFC CONNECTOR	52045 7P TE	F F C コ ネ ク タ ー			
CN203	VB390200	CONNECTOR BASE POST, TOP	PH 6P TE	ベ ー ス ポ ス ト			
CN301	VB390500	CONNECTOR BASE POST, TOP	PH 9P TE	ベ ー ス ポ ス ト			
CN302	VQ04710R	FFC CONNECTOR	52045 7P TE	F F C コ ネ ク タ ー			
CN303	VK02560R	WIRE TRAP	52147 12P TE	ワ イ ヤ ー ト ラ ッ プ			
CN401	VB390500	CONNECTOR BASE POST, TOP	PH 9P TE	ベ ー ス ポ ス ト			
CN402	VQ04710R	FFC CONNECTOR	52045 7P TE	F F C コ ネ ク タ ー		01	
CN501	VB390500	CONNECTOR BASE POST, TOP	PH 9P TE	ベ ー ス ポ ス ト			
CN502	VQ04710R	FFC CONNECTOR	52045 7P TE	F F C コ ネ ク タ ー			
CN503	VK02560R	WIRE TRAP	52147 12P TE	ワ イ ヤ ー ト ラ ッ プ			
CN601	VB390500	CONNECTOR BASE POST, TOP	PH 9P TE	ベ ー ス ポ ス ト			

※: New Parts

RANK: Japan only

IN1

REF NO.	PART NO.	DESCRIPTION	部 品 名	REMARKS	QTY	RANK
CN602	VQ04710R	FFC CONNECTOR	52045 7P TE	F F C コネクター		01
CN701	VB390500	CONNECTOR BASE POST, TOP	PH 9P TE	ベースポスト		
CN702	VQ04710R	FFC CONNECTOR	52045 7P TE	F F C コネクター		01
CN703	VK02560R	WIRE TRAP	52147 12P TE	ワイヤートラップ		01
CN801	VB390500	CONNECTOR BASE POST, TOP	PH 9P TE	ベースポスト		
CN802	VQ04710R	FFC CONNECTOR	52045 7P TE	F F C コネクター		01
IC101	X4543A01	IC	NJM072BM-E(TE1)	I C	OP AMP	02
IC102	X3505A00	IC	NJM2068M-D(TE2)	I C	OP AMP	
-108	X3505A00	IC	NJM2068M-D(TE2)	I C	OP AMP	
IC201	X4543A01	IC	NJM072BM-E(TE1)	I C	OP AMP	02
IC301	X4543A01	IC	NJM072BM-E(TE1)	I C	OP AMP	02
IC302	X3505A00	IC	NJM2068M-D(TE2)	I C	OP AMP	
-308	X3505A00	IC	NJM2068M-D(TE2)	I C	OP AMP	
IC401	X4543A01	IC	NJM072BM-E(TE1)	I C	OP AMP	02
IC501	X4543A01	IC	NJM072BM-E(TE1)	I C	OP AMP	02
IC502	X3505A00	IC	NJM2068M-D(TE2)	I C	OP AMP	
-508	X3505A00	IC	NJM2068M-D(TE2)	I C	OP AMP	
IC601	X4543A01	IC	NJM072BM-E(TE1)	I C	OP AMP	02
IC701	X4543A01	IC	NJM072BM-E(TE1)	I C	OP AMP	02
IC702	X3505A00	IC	NJM2068M-D(TE2)	I C	OP AMP	
-708	X3505A00	IC	NJM2068M-D(TE2)	I C	OP AMP	
IC801	X4543A01	IC	NJM072BM-E(TE1)	I C	OP AMP	02
* LD101	WP841200	LED, RED	HFR203PJW-3-B	L E D	+48V	
* LD102	WP841400	LED, YELLOW	HFY103PJW-3-B	L E D	COMP	
* LD201	WP841200	LED, RED	HFR203PJW-3-B	L E D	+48V	
* LD202	WP841400	LED, YELLOW	HFY103PJW-3-B	L E D	COMP	
* LD301	WP841200	LED, RED	HFR203PJW-3-B	L E D	+48V	
* LD302	WP841400	LED, YELLOW	HFY103PJW-3-B	L E D	COMP	
* LD401	WP841200	LED, RED	HFR203PJW-3-B	L E D	+48V	
* LD402	WP841400	LED, YELLOW	HFY103PJW-3-B	L E D	COMP	
* LD501	WP841200	LED, RED	HFR203PJW-3-B	L E D	+48V	
* LD502	WP841400	LED, YELLOW	HFY103PJW-3-B	L E D	COMP	
* LD601	WP841200	LED, RED	HFR203PJW-3-B	L E D	+48V	
* LD602	WP841400	LED, YELLOW	HFY103PJW-3-B	L E D	COMP	
* LD701	WP841200	LED, RED	HFR203PJW-3-B	L E D	+48V	
* LD702	WP841400	LED, YELLOW	HFY103PJW-3-B	L E D	COMP	
* LD801	WP841200	LED, RED	HFR203PJW-3-B	L E D	+48V	
* LD802	WP841400	LED, YELLOW	HFY103PJW-3-B	L E D	COMP	
Q101	V742170R	TRANSISTOR (CHIP)	2SC3324-GR,BL(TE85)	チップトランジスタ		
Q102	V742170R	TRANSISTOR (CHIP)	2SC3324-GR,BL(TE85)	チップトランジスタ		
Q103	VV556400	TRANSISTOR	2SC2412K Q,R,S TP	トランジスタ 2 S C		
Q104	VV556500	TRANSISTOR	2SA1037AK Q,R,S TP	トランジスタ 2 S A		
Q201	V742170R	TRANSISTOR (CHIP)	2SC3324-GR,BL(TE85)	チップトランジスタ		
Q202	V742170R	TRANSISTOR (CHIP)	2SC3324-GR,BL(TE85)	チップトランジスタ		
Q203	VV556400	TRANSISTOR	2SC2412K Q,R,S TP	トランジスタ 2 S C		
Q301	V742170R	TRANSISTOR (CHIP)	2SC3324-GR,BL(TE85)	チップトランジスタ		
Q302	V742170R	TRANSISTOR (CHIP)	2SC3324-GR,BL(TE85)	チップトランジスタ		
Q303	VV556400	TRANSISTOR	2SC2412K Q,R,S TP	トランジスタ 2 S C		
Q304	VV556500	TRANSISTOR	2SA1037AK Q,R,S TP	トランジスタ 2 S A		
Q401	V742170R	TRANSISTOR (CHIP)	2SC3324-GR,BL(TE85)	チップトランジスタ		
Q402	V742170R	TRANSISTOR (CHIP)	2SC3324-GR,BL(TE85)	チップトランジスタ		
Q403	VV556400	TRANSISTOR	2SC2412K Q,R,S TP	トランジスタ 2 S C		
Q501	V742170R	TRANSISTOR (CHIP)	2SC3324-GR,BL(TE85)	チップトランジスタ		
Q502	V742170R	TRANSISTOR (CHIP)	2SC3324-GR,BL(TE85)	チップトランジスタ		
Q503	VV556400	TRANSISTOR	2SC2412K Q,R,S TP	トランジスタ 2 S C		
Q504	VV556500	TRANSISTOR	2SA1037AK Q,R,S TP	トランジスタ 2 S A		
Q601	V742170R	TRANSISTOR (CHIP)	2SC3324-GR,BL(TE85)	チップトランジスタ		
Q602	V742170R	TRANSISTOR (CHIP)	2SC3324-GR,BL(TE85)	チップトランジスタ		
Q603	VV556400	TRANSISTOR	2SC2412K Q,R,S TP	トランジスタ 2 S C		
Q701	V742170R	TRANSISTOR (CHIP)	2SC3324-GR,BL(TE85)	チップトランジスタ		
Q702	V742170R	TRANSISTOR (CHIP)	2SC3324-GR,BL(TE85)	チップトランジスタ		
Q703	VV556400	TRANSISTOR	2SC2412K Q,R,S TP	トランジスタ 2 S C		
Q704	VV556500	TRANSISTOR	2SA1037AK Q,R,S TP	トランジスタ 2 S A		
Q801	V742170R	TRANSISTOR (CHIP)	2SC3324-GR,BL(TE85)	チップトランジスタ		
Q802	V742170R	TRANSISTOR (CHIP)	2SC3324-GR,BL(TE85)	チップトランジスタ		
Q803	VV556400	TRANSISTOR	2SC2412K Q,R,S TP	トランジスタ 2 S C		
R101	RD15627R	CHIP RESISTOR 1/4W	2.7K 1/4 J TP	チップ抵抗		
R102	RF45651R	CHIP RESISTOR 1/16W	5.1K D RECT.	チップ抵抗		01
R103	RF45651R	CHIP RESISTOR 1/16W	5.1K D RECT.	チップ抵抗		01
R104	RF45556R	CHIP RESISTOR 1/16W	560.0 D RECT.	チップ抵抗		

*: New Parts

RANK: Japan only

IN1

REF NO.	PART NO.	DESCRIPTION	部	品	名	REMARKS	QTY	RANK
R105	RF457120	CHIP RESISTOR 1/16W	12.0K D RECT.	チ	ッ	ブ 抵 抗		
R106	RF458100	CHIP RESISTOR 1/16W	100.0K D RECT.	チ	ッ	ブ 抵 抗		
-109	RF458100	CHIP RESISTOR 1/16W	100.0K D RECT.	チ	ッ	ブ 抵 抗		
R110	RD35410R	CHIP RESISTOR 1/16W	10.0 63M J RECT.	チ	ッ	ブ 抵 抗		01
R111	RF35622R	CHIP RESISTOR 1/16W	2.2K D 1608	チ	ッ	ブ 抵 抗		01
R112	RF35682R	CHIP RESISTOR 1/16W	8.2K D 1608	チ	ッ	ブ 抵 抗		01
R113	RF354200	CHIP RESISTOR 1/16W	20.0 D 1608	チ	ッ	ブ 抵 抗		01
R114	RF35724R	CHIP RESISTOR 1/16W	24.0K D 1608	チ	ッ	ブ 抵 抗		
R115	RF35622R	CHIP RESISTOR 1/16W	2.2K D 1608	チ	ッ	ブ 抵 抗		01
R116	RF35682R	CHIP RESISTOR 1/16W	8.2K D 1608	チ	ッ	ブ 抵 抗		01
R117	RF35724R	CHIP RESISTOR 1/16W	24.0K D 1608	チ	ッ	ブ 抵 抗		
R118	RD35410R	CHIP RESISTOR 1/16W	10.0 63M J RECT.	チ	ッ	ブ 抵 抗		01
R119	RF35647R	CHIP RESISTOR 1/16W	4.7K D 1608	チ	ッ	ブ 抵 抗		01
R120	RF35647R	CHIP RESISTOR 1/16W	4.7K D 1608	チ	ッ	ブ 抵 抗		01
R121	RF457120	CHIP RESISTOR 1/16W	12.0K D RECT.	チ	ッ	ブ 抵 抗		
R122	RF457120	CHIP RESISTOR 1/16W	12.0K D RECT.	チ	ッ	ブ 抵 抗		
R123	RF457100	CHIP RESISTOR 1/16W	10.0K D RECT.	チ	ッ	ブ 抵 抗		
R124	RF457120	CHIP RESISTOR 1/16W	12.0K D RECT.	チ	ッ	ブ 抵 抗		
R126	RD358220	CHIP RESISTOR 1/16W	220.0K 63M J RECT.	チ	ッ	ブ 抵 抗		
R127	RF45739R	CHIP RESISTOR 1/16W	39.0K D RECT.	チ	ッ	ブ 抵 抗		01
R128	RD357150	CHIP RESISTOR 1/16W	15.0K 63M J RECT.	チ	ッ	ブ 抵 抗		
R129	RD355220	CHIP RESISTOR 1/16W	220.0 63M J RECT.	チ	ッ	ブ 抵 抗		
R130	RF457120	CHIP RESISTOR 1/16W	12.0K D RECT.	チ	ッ	ブ 抵 抗		
R131	RD357330	CHIP RESISTOR 1/16W	33.0K 63M J RECT.	チ	ッ	ブ 抵 抗		
R132	RF457150	CHIP RESISTOR 1/16W	15.0K D 1608	チ	ッ	ブ 抵 抗		01
R133	RD358220	CHIP RESISTOR 1/16W	220.0K 63M J RECT.	チ	ッ	ブ 抵 抗		
R134	RD358220	CHIP RESISTOR 1/16W	220.0K 63M J RECT.	チ	ッ	ブ 抵 抗		
R135	RD356470	CHIP RESISTOR 1/16W	4.7K 63M J RECT.	チ	ッ	ブ 抵 抗		
R136	RD357100	CHIP RESISTOR 1/16W	10.0K 63M J RECT.	チ	ッ	ブ 抵 抗		01
R137	RD355820	CHIP RESISTOR 1/16W	820.0 63M J RECT.	チ	ッ	ブ 抵 抗		
R138	RF457120	CHIP RESISTOR 1/16W	12.0K D RECT.	チ	ッ	ブ 抵 抗		
R139	RF457120	CHIP RESISTOR 1/16W	12.0K D RECT.	チ	ッ	ブ 抵 抗		
R140	RF457100	CHIP RESISTOR 1/16W	10.0K D RECT.	チ	ッ	ブ 抵 抗		
R141	RF456470	CHIP RESISTOR 1/16W	4.7K D RECT.	チ	ッ	ブ 抵 抗		
R142	RF457330	CHIP RESISTOR 1/16W	33.0K D RECT.	チ	ッ	ブ 抵 抗		
R143	RF457100	CHIP RESISTOR 1/16W	10.0K D RECT.	チ	ッ	ブ 抵 抗		
R144	RF456560	CHIP RESISTOR 1/16W	5.6K D RECT.	チ	ッ	ブ 抵 抗		
R145	RF456820	CHIP RESISTOR 1/16W	8.2K D RECT.	チ	ッ	ブ 抵 抗		
R146	RF456820	CHIP RESISTOR 1/16W	8.2K D RECT.	チ	ッ	ブ 抵 抗		
R147	RF456560	CHIP RESISTOR 1/16W	5.6K D RECT.	チ	ッ	ブ 抵 抗		
R148	RF456560	CHIP RESISTOR 1/16W	5.6K D RECT.	チ	ッ	ブ 抵 抗		
R149	RF456820	CHIP RESISTOR 1/16W	8.2K D RECT.	チ	ッ	ブ 抵 抗		
R150	RF456820	CHIP RESISTOR 1/16W	8.2K D RECT.	チ	ッ	ブ 抵 抗		
R151	RF456470	CHIP RESISTOR 1/16W	4.7K D RECT.	チ	ッ	ブ 抵 抗		
R152	RF456470	CHIP RESISTOR 1/16W	4.7K D RECT.	チ	ッ	ブ 抵 抗		
R153	RD35410R	CHIP RESISTOR 1/16W	10.0 63M J RECT.	チ	ッ	ブ 抵 抗		01
R154	RD358220	CHIP RESISTOR 1/16W	220.0K 63M J RECT.	チ	ッ	ブ 抵 抗		
R155	RD358220	CHIP RESISTOR 1/16W	220.0K 63M J RECT.	チ	ッ	ブ 抵 抗		
R156	RD35410R	CHIP RESISTOR 1/16W	10.0 63M J RECT.	チ	ッ	ブ 抵 抗		01
R157	RD350001	CHIP RESISTOR 1/16W	0 63M J RECT.	チ	ッ	ブ 抵 抗		01
R160	RD357100	CHIP RESISTOR 1/16W	10.0K 63M J RECT.	チ	ッ	ブ 抵 抗		01
R161	RD357100	CHIP RESISTOR 1/16W	10.0K 63M J RECT.	チ	ッ	ブ 抵 抗		01
R162	RD358220	CHIP RESISTOR 1/16W	220.0K 63M J RECT.	チ	ッ	ブ 抵 抗		
R163	RD35410R	CHIP RESISTOR 1/16W	10.0 63M J RECT.	チ	ッ	ブ 抵 抗		01
R164	RD35410R	CHIP RESISTOR 1/16W	10.0 63M J RECT.	チ	ッ	ブ 抵 抗		01
R165	RD358220	CHIP RESISTOR 1/16W	220.0K 63M J RECT.	チ	ッ	ブ 抵 抗		
R166	RD35410R	CHIP RESISTOR 1/16W	10.0 63M J RECT.	チ	ッ	ブ 抵 抗		01
R201	RD15627R	CHIP RESISTOR 1/4W	2.7K 1/4 J TP	チ	ッ	ブ 抵 抗		
R202	RF45651R	CHIP RESISTOR 1/16W	5.1K D RECT.	チ	ッ	ブ 抵 抗		01
R203	RF45651R	CHIP RESISTOR 1/16W	5.1K D RECT.	チ	ッ	ブ 抵 抗		01
R204	RF45556R	CHIP RESISTOR 1/16W	560.0 D RECT.	チ	ッ	ブ 抵 抗		
R205	RF457120	CHIP RESISTOR 1/16W	12.0K D RECT.	チ	ッ	ブ 抵 抗		
R206	RF458100	CHIP RESISTOR 1/16W	100.0K D RECT.	チ	ッ	ブ 抵 抗		
-209	RF458100	CHIP RESISTOR 1/16W	100.0K D RECT.	チ	ッ	ブ 抵 抗		
R210	RD35410R	CHIP RESISTOR 1/16W	10.0 63M J RECT.	チ	ッ	ブ 抵 抗		01
R211	RF35622R	CHIP RESISTOR 1/16W	2.2K D 1608	チ	ッ	ブ 抵 抗		01
R212	RF35682R	CHIP RESISTOR 1/16W	8.2K D 1608	チ	ッ	ブ 抵 抗		01
R213	RF354200	CHIP RESISTOR 1/16W	20.0 D 1608	チ	ッ	ブ 抵 抗		01
R214	RF35724R	CHIP RESISTOR 1/16W	24.0K D 1608	チ	ッ	ブ 抵 抗		
R215	RF35622R	CHIP RESISTOR 1/16W	2.2K D 1608	チ	ッ	ブ 抵 抗		01

*: New Parts

RANK: Japan only

IN1

REF NO.	PART NO.	DESCRIPTION		部	品	名	REMARKS	QTY	RANK
R216	RF35682R	CHIP RESISTOR 1/16W	8.2K D 1608	チ	ッ	ブ	抵抗		01
R217	RF35724R	CHIP RESISTOR 1/16W	24.0K D 1608	チ	ッ	ブ	抵抗		
R218	RD35410R	CHIP RESISTOR 1/16W	10.0 63M J RECT.	チ	ッ	ブ	抵抗		01
R219	RF35647R	CHIP RESISTOR 1/16W	4.7K D 1608	チ	ッ	ブ	抵抗		01
R220	RF35647R	CHIP RESISTOR 1/16W	4.7K D 1608	チ	ッ	ブ	抵抗		01
R221	RF457120	CHIP RESISTOR 1/16W	12.0K D RECT.	チ	ッ	ブ	抵抗		
R222	RF457120	CHIP RESISTOR 1/16W	12.0K D RECT.	チ	ッ	ブ	抵抗		
R223	RF457100	CHIP RESISTOR 1/16W	10.0K D RECT.	チ	ッ	ブ	抵抗		
R224	RF457120	CHIP RESISTOR 1/16W	12.0K D RECT.	チ	ッ	ブ	抵抗		
R226	RD358220	CHIP RESISTOR 1/16W	220.0K 63M J RECT.	チ	ッ	ブ	抵抗		
R227	RF45739R	CHIP RESISTOR 1/16W	39.0K D RECT.	チ	ッ	ブ	抵抗		01
R228	RD357150	CHIP RESISTOR 1/16W	15.0K 63M J RECT.	チ	ッ	ブ	抵抗		
R229	RD355220	CHIP RESISTOR 1/16W	220.0 63M J RECT.	チ	ッ	ブ	抵抗		
R230	RF457120	CHIP RESISTOR 1/16W	12.0K D RECT.	チ	ッ	ブ	抵抗		
R231	RD357330	CHIP RESISTOR 1/16W	33.0K 63M J RECT.	チ	ッ	ブ	抵抗		
R232	RF457150	CHIP RESISTOR 1/16W	15.0K D 1608	チ	ッ	ブ	抵抗		01
R233	RD358220	CHIP RESISTOR 1/16W	220.0K 63M J RECT.	チ	ッ	ブ	抵抗		
R234	RD358220	CHIP RESISTOR 1/16W	220.0K 63M J RECT.	チ	ッ	ブ	抵抗		
R235	RF457120	CHIP RESISTOR 1/16W	12.0K D RECT.	チ	ッ	ブ	抵抗		
R236	RF457120	CHIP RESISTOR 1/16W	12.0K D RECT.	チ	ッ	ブ	抵抗		
R237	RF457100	CHIP RESISTOR 1/16W	10.0K D RECT.	チ	ッ	ブ	抵抗		
R238	RF456470	CHIP RESISTOR 1/16W	4.7K D RECT.	チ	ッ	ブ	抵抗		
R239	RF457330	CHIP RESISTOR 1/16W	33.0K D RECT.	チ	ッ	ブ	抵抗		
R240	RF457100	CHIP RESISTOR 1/16W	10.0K D RECT.	チ	ッ	ブ	抵抗		
R241	RF456560	CHIP RESISTOR 1/16W	5.6K D RECT.	チ	ッ	ブ	抵抗		
R242	RF456820	CHIP RESISTOR 1/16W	8.2K D RECT.	チ	ッ	ブ	抵抗		
R243	RF456820	CHIP RESISTOR 1/16W	8.2K D RECT.	チ	ッ	ブ	抵抗		
R244	RF456560	CHIP RESISTOR 1/16W	5.6K D RECT.	チ	ッ	ブ	抵抗		
R245	RF456560	CHIP RESISTOR 1/16W	5.6K D RECT.	チ	ッ	ブ	抵抗		
R246	RF456820	CHIP RESISTOR 1/16W	8.2K D RECT.	チ	ッ	ブ	抵抗		
R247	RF456820	CHIP RESISTOR 1/16W	8.2K D RECT.	チ	ッ	ブ	抵抗		
R248	RF456470	CHIP RESISTOR 1/16W	4.7K D RECT.	チ	ッ	ブ	抵抗		
R249	RF456470	CHIP RESISTOR 1/16W	4.7K D RECT.	チ	ッ	ブ	抵抗		
R250	RD35410R	CHIP RESISTOR 1/16W	10.0 63M J RECT.	チ	ッ	ブ	抵抗		01
R251	RD358220	CHIP RESISTOR 1/16W	220.0K 63M J RECT.	チ	ッ	ブ	抵抗		
R252	RD358220	CHIP RESISTOR 1/16W	220.0K 63M J RECT.	チ	ッ	ブ	抵抗		
R253	RD35410R	CHIP RESISTOR 1/16W	10.0 63M J RECT.	チ	ッ	ブ	抵抗		01
R254	RD350001	CHIP RESISTOR 1/16W	0 63M J RECT.	チ	ッ	ブ	抵抗		01
R257	RD357100	CHIP RESISTOR 1/16W	10.0K 63M J RECT.	チ	ッ	ブ	抵抗		01
R258	RD357100	CHIP RESISTOR 1/16W	10.0K 63M J RECT.	チ	ッ	ブ	抵抗		01
R262	RD358220	CHIP RESISTOR 1/16W	220.0K 63M J RECT.	チ	ッ	ブ	抵抗		
R263	RD35410R	CHIP RESISTOR 1/16W	10.0 63M J RECT.	チ	ッ	ブ	抵抗		01
R264	RD35410R	CHIP RESISTOR 1/16W	10.0 63M J RECT.	チ	ッ	ブ	抵抗		01
R265	RD358220	CHIP RESISTOR 1/16W	220.0K 63M J RECT.	チ	ッ	ブ	抵抗		
R266	RD35410R	CHIP RESISTOR 1/16W	10.0 63M J RECT.	チ	ッ	ブ	抵抗		01
R301	RD15627R	CHIP RESISTOR 1/4W	2.7K 1/4 J TP	チ	ッ	ブ	抵抗		
R302	RF45651R	CHIP RESISTOR 1/16W	5.1K D RECT.	チ	ッ	ブ	抵抗		01
R303	RF45651R	CHIP RESISTOR 1/16W	5.1K D RECT.	チ	ッ	ブ	抵抗		01
R304	RF45556R	CHIP RESISTOR 1/16W	560.0 D RECT.	チ	ッ	ブ	抵抗		
R305	RF457120	CHIP RESISTOR 1/16W	12.0K D RECT.	チ	ッ	ブ	抵抗		
R306	RF458100	CHIP RESISTOR 1/16W	100.0K D RECT.	チ	ッ	ブ	抵抗		
-309	RF458100	CHIP RESISTOR 1/16W	100.0K D RECT.	チ	ッ	ブ	抵抗		
R310	RD35410R	CHIP RESISTOR 1/16W	10.0 63M J RECT.	チ	ッ	ブ	抵抗		01
R311	RF35622R	CHIP RESISTOR 1/16W	2.2K D 1608	チ	ッ	ブ	抵抗		01
R312	RF35682R	CHIP RESISTOR 1/16W	8.2K D 1608	チ	ッ	ブ	抵抗		01
R313	RF354200	CHIP RESISTOR 1/16W	20.0 D 1608	チ	ッ	ブ	抵抗		01
R314	RF35724R	CHIP RESISTOR 1/16W	24.0K D 1608	チ	ッ	ブ	抵抗		
R315	RF35622R	CHIP RESISTOR 1/16W	2.2K D 1608	チ	ッ	ブ	抵抗		01
R316	RF35682R	CHIP RESISTOR 1/16W	8.2K D 1608	チ	ッ	ブ	抵抗		01
R317	RF35724R	CHIP RESISTOR 1/16W	24.0K D 1608	チ	ッ	ブ	抵抗		
R318	RD35410R	CHIP RESISTOR 1/16W	10.0 63M J RECT.	チ	ッ	ブ	抵抗		01
R319	RF35647R	CHIP RESISTOR 1/16W	4.7K D 1608	チ	ッ	ブ	抵抗		01
R320	RF35647R	CHIP RESISTOR 1/16W	4.7K D 1608	チ	ッ	ブ	抵抗		01
R321	RF457120	CHIP RESISTOR 1/16W	12.0K D RECT.	チ	ッ	ブ	抵抗		
R322	RF457120	CHIP RESISTOR 1/16W	12.0K D RECT.	チ	ッ	ブ	抵抗		
R323	RF457100	CHIP RESISTOR 1/16W	10.0K D RECT.	チ	ッ	ブ	抵抗		
R324	RF457120	CHIP RESISTOR 1/16W	12.0K D RECT.	チ	ッ	ブ	抵抗		
R326	RD358220	CHIP RESISTOR 1/16W	220.0K 63M J RECT.	チ	ッ	ブ	抵抗		
R327	RF45739R	CHIP RESISTOR 1/16W	39.0K D RECT.	チ	ッ	ブ	抵抗		01
R328	RD357150	CHIP RESISTOR 1/16W	15.0K 63M J RECT.	チ	ッ	ブ	抵抗		

*: New Parts

RANK: Japan only

IN1

REF NO.	PART NO.	DESCRIPTION		部	品	名	REMARKS	QTY	RANK
R329	RD355220	CHIP RESISTOR 1/16W	220.0 63M J RECT.	チ	ッ	ブ 抵 抗			
R330	RF457120	CHIP RESISTOR 1/16W	12.0K D RECT.	チ	ッ	ブ 抵 抗			
R331	RD357330	CHIP RESISTOR 1/16W	33.0K 63M J RECT.	チ	ッ	ブ 抵 抗			
R332	RF457150	CHIP RESISTOR 1/16W	15.0K D 1608	チ	ッ	ブ 抵 抗			01
R333	RD358220	CHIP RESISTOR 1/16W	220.0K 63M J RECT.	チ	ッ	ブ 抵 抗			
R334	RD358220	CHIP RESISTOR 1/16W	220.0K 63M J RECT.	チ	ッ	ブ 抵 抗			
R335	RF457120	CHIP RESISTOR 1/16W	12.0K D RECT.	チ	ッ	ブ 抵 抗			
R336	RF457120	CHIP RESISTOR 1/16W	12.0K D RECT.	チ	ッ	ブ 抵 抗			
R337	RF457100	CHIP RESISTOR 1/16W	10.0K D RECT.	チ	ッ	ブ 抵 抗			
R338	RF456470	CHIP RESISTOR 1/16W	4.7K D RECT.	チ	ッ	ブ 抵 抗			
R339	RF457330	CHIP RESISTOR 1/16W	33.0K D RECT.	チ	ッ	ブ 抵 抗			
R340	RF457100	CHIP RESISTOR 1/16W	10.0K D RECT.	チ	ッ	ブ 抵 抗			
R341	RF456560	CHIP RESISTOR 1/16W	5.6K D RECT.	チ	ッ	ブ 抵 抗			
R342	RF456820	CHIP RESISTOR 1/16W	8.2K D RECT.	チ	ッ	ブ 抵 抗			
R343	RF456820	CHIP RESISTOR 1/16W	8.2K D RECT.	チ	ッ	ブ 抵 抗			
R344	RF456560	CHIP RESISTOR 1/16W	5.6K D RECT.	チ	ッ	ブ 抵 抗			
R345	RF456560	CHIP RESISTOR 1/16W	5.6K D RECT.	チ	ッ	ブ 抵 抗			
R346	RF456820	CHIP RESISTOR 1/16W	8.2K D RECT.	チ	ッ	ブ 抵 抗			
R347	RF456820	CHIP RESISTOR 1/16W	8.2K D RECT.	チ	ッ	ブ 抵 抗			
R348	RF456470	CHIP RESISTOR 1/16W	4.7K D RECT.	チ	ッ	ブ 抵 抗			
R349	RF456470	CHIP RESISTOR 1/16W	4.7K D RECT.	チ	ッ	ブ 抵 抗			
R350	RD35410R	CHIP RESISTOR 1/16W	10.0 63M J RECT.	チ	ッ	ブ 抵 抗			01
R351	RD358220	CHIP RESISTOR 1/16W	220.0K 63M J RECT.	チ	ッ	ブ 抵 抗			
R352	RD358220	CHIP RESISTOR 1/16W	220.0K 63M J RECT.	チ	ッ	ブ 抵 抗			
R353	RD35410R	CHIP RESISTOR 1/16W	10.0 63M J RECT.	チ	ッ	ブ 抵 抗			01
R354	RD350001	CHIP RESISTOR 1/16W	0 63M J RECT.	チ	ッ	ブ 抵 抗			01
R357	RD357100	CHIP RESISTOR 1/16W	10.0K 63M J RECT.	チ	ッ	ブ 抵 抗			01
R358	RD357100	CHIP RESISTOR 1/16W	10.0K 63M J RECT.	チ	ッ	ブ 抵 抗			01
R359	RD356470	CHIP RESISTOR 1/16W	4.7K 63M J RECT.	チ	ッ	ブ 抵 抗			01
R360	RD357100	CHIP RESISTOR 1/16W	10.0K 63M J RECT.	チ	ッ	ブ 抵 抗			01
R361	RD355820	CHIP RESISTOR 1/16W	820.0 63M J RECT.	チ	ッ	ブ 抵 抗			
R362	RD358220	CHIP RESISTOR 1/16W	220.0K 63M J RECT.	チ	ッ	ブ 抵 抗			
R363	RD35410R	CHIP RESISTOR 1/16W	10.0 63M J RECT.	チ	ッ	ブ 抵 抗			01
R364	RD35410R	CHIP RESISTOR 1/16W	10.0 63M J RECT.	チ	ッ	ブ 抵 抗			01
R365	RD358220	CHIP RESISTOR 1/16W	220.0K 63M J RECT.	チ	ッ	ブ 抵 抗			
R366	RD35410R	CHIP RESISTOR 1/16W	10.0 63M J RECT.	チ	ッ	ブ 抵 抗			01
R401	RD15627R	CHIP RESISTOR 1/4W	2.7K 1/4 J TP	チ	ッ	ブ 抵 抗			
R402	RF45651R	CHIP RESISTOR 1/16W	5.1K D RECT.	チ	ッ	ブ 抵 抗			01
R403	RF45651R	CHIP RESISTOR 1/16W	5.1K D RECT.	チ	ッ	ブ 抵 抗			01
R404	RF45556R	CHIP RESISTOR 1/16W	560.0 D RECT.	チ	ッ	ブ 抵 抗			
R405	RF457120	CHIP RESISTOR 1/16W	12.0K D RECT.	チ	ッ	ブ 抵 抗			
R406	RF458100	CHIP RESISTOR 1/16W	100.0K D RECT.	チ	ッ	ブ 抵 抗			
-409	RF458100	CHIP RESISTOR 1/16W	100.0K D RECT.	チ	ッ	ブ 抵 抗			
R410	RD35410R	CHIP RESISTOR 1/16W	10.0 63M J RECT.	チ	ッ	ブ 抵 抗			01
R411	RF35622R	CHIP RESISTOR 1/16W	2.2K D 1608	チ	ッ	ブ 抵 抗			01
R412	RF35682R	CHIP RESISTOR 1/16W	8.2K D 1608	チ	ッ	ブ 抵 抗			01
R413	RF354200	CHIP RESISTOR 1/16W	20.0 D 1608	チ	ッ	ブ 抵 抗			01
R414	RF35724R	CHIP RESISTOR 1/16W	24.0K D 1608	チ	ッ	ブ 抵 抗			
R415	RF35622R	CHIP RESISTOR 1/16W	2.2K D 1608	チ	ッ	ブ 抵 抗			01
R416	RF35682R	CHIP RESISTOR 1/16W	8.2K D 1608	チ	ッ	ブ 抵 抗			01
R417	RF35724R	CHIP RESISTOR 1/16W	24.0K D 1608	チ	ッ	ブ 抵 抗			
R418	RD35410R	CHIP RESISTOR 1/16W	10.0 63M J RECT.	チ	ッ	ブ 抵 抗			01
R419	RF35647R	CHIP RESISTOR 1/16W	4.7K D 1608	チ	ッ	ブ 抵 抗			01
R420	RF35647R	CHIP RESISTOR 1/16W	4.7K D 1608	チ	ッ	ブ 抵 抗			01
R421	RF457120	CHIP RESISTOR 1/16W	12.0K D RECT.	チ	ッ	ブ 抵 抗			
R422	RF457120	CHIP RESISTOR 1/16W	12.0K D RECT.	チ	ッ	ブ 抵 抗			
R423	RF457100	CHIP RESISTOR 1/16W	10.0K D RECT.	チ	ッ	ブ 抵 抗			
R424	RF457120	CHIP RESISTOR 1/16W	12.0K D RECT.	チ	ッ	ブ 抵 抗			
R426	RD358220	CHIP RESISTOR 1/16W	220.0K 63M J RECT.	チ	ッ	ブ 抵 抗			
R427	RF45739R	CHIP RESISTOR 1/16W	39.0K D RECT.	チ	ッ	ブ 抵 抗			01
R428	RD357150	CHIP RESISTOR 1/16W	15.0K 63M J RECT.	チ	ッ	ブ 抵 抗			
R429	RD355220	CHIP RESISTOR 1/16W	220.0 63M J RECT.	チ	ッ	ブ 抵 抗			
R430	RF457120	CHIP RESISTOR 1/16W	12.0K D RECT.	チ	ッ	ブ 抵 抗			
R431	RD357330	CHIP RESISTOR 1/16W	33.0K 63M J RECT.	チ	ッ	ブ 抵 抗			
R432	RF457150	CHIP RESISTOR 1/16W	15.0K D 1608	チ	ッ	ブ 抵 抗			01
R433	RD358220	CHIP RESISTOR 1/16W	220.0K 63M J RECT.	チ	ッ	ブ 抵 抗			
R434	RD358220	CHIP RESISTOR 1/16W	220.0K 63M J RECT.	チ	ッ	ブ 抵 抗			
R435	RF457120	CHIP RESISTOR 1/16W	12.0K D RECT.	チ	ッ	ブ 抵 抗			
R436	RF457120	CHIP RESISTOR 1/16W	12.0K D RECT.	チ	ッ	ブ 抵 抗			
R437	RF457100	CHIP RESISTOR 1/16W	10.0K D RECT.	チ	ッ	ブ 抵 抗			

*: New Parts

RANK: Japan only

IN1

REF NO.	PART NO.	DESCRIPTION		部	品	名	REMARKS	QTY	RANK
R438	RF456470	CHIP RESISTOR 1/16W	4.7K D RECT.	チ	ッ	ブ	抵抗		
R439	RF457330	CHIP RESISTOR 1/16W	33.0K D RECT.	チ	ッ	ブ	抵抗		
R440	RF457100	CHIP RESISTOR 1/16W	10.0K D RECT.	チ	ッ	ブ	抵抗		
R441	RF456560	CHIP RESISTOR 1/16W	5.6K D RECT.	チ	ッ	ブ	抵抗		
R442	RF456820	CHIP RESISTOR 1/16W	8.2K D RECT.	チ	ッ	ブ	抵抗		
R443	RF456820	CHIP RESISTOR 1/16W	8.2K D RECT.	チ	ッ	ブ	抵抗		
R444	RF456560	CHIP RESISTOR 1/16W	5.6K D RECT.	チ	ッ	ブ	抵抗		
R445	RF456560	CHIP RESISTOR 1/16W	5.6K D RECT.	チ	ッ	ブ	抵抗		
R446	RF456820	CHIP RESISTOR 1/16W	8.2K D RECT.	チ	ッ	ブ	抵抗		
R447	RF456820	CHIP RESISTOR 1/16W	8.2K D RECT.	チ	ッ	ブ	抵抗		
R448	RF456470	CHIP RESISTOR 1/16W	4.7K D RECT.	チ	ッ	ブ	抵抗		
R449	RF456470	CHIP RESISTOR 1/16W	4.7K D RECT.	チ	ッ	ブ	抵抗		
R450	RD35410R	CHIP RESISTOR 1/16W	10.0 63M J RECT.	チ	ッ	ブ	抵抗		01
R451	RD358220	CHIP RESISTOR 1/16W	220.0K 63M J RECT.	チ	ッ	ブ	抵抗		
R452	RD358220	CHIP RESISTOR 1/16W	220.0K 63M J RECT.	チ	ッ	ブ	抵抗		
R453	RD35410R	CHIP RESISTOR 1/16W	10.0 63M J RECT.	チ	ッ	ブ	抵抗		01
R454	RD350001	CHIP RESISTOR 1/16W	0 63M J RECT.	チ	ッ	ブ	抵抗		01
R457	RD357100	CHIP RESISTOR 1/16W	10.0K 63M J RECT.	チ	ッ	ブ	抵抗		01
R458	RD357100	CHIP RESISTOR 1/16W	10.0K 63M J RECT.	チ	ッ	ブ	抵抗		01
R462	RD358220	CHIP RESISTOR 1/16W	220.0K 63M J RECT.	チ	ッ	ブ	抵抗		01
R463	RD35410R	CHIP RESISTOR 1/16W	10.0 63M J RECT.	チ	ッ	ブ	抵抗		01
R464	RD35410R	CHIP RESISTOR 1/16W	10.0 63M J RECT.	チ	ッ	ブ	抵抗		01
R465	RD358220	CHIP RESISTOR 1/16W	220.0K 63M J RECT.	チ	ッ	ブ	抵抗		
R466	RD35410R	CHIP RESISTOR 1/16W	10.0 63M J RECT.	チ	ッ	ブ	抵抗		01
R501	RD15627R	CHIP RESISTOR 1/4W	2.7K 1/4 J TP	チ	ッ	ブ	抵抗		
R502	RF45651R	CHIP RESISTOR 1/16W	5.1K D RECT.	チ	ッ	ブ	抵抗		01
R503	RF45651R	CHIP RESISTOR 1/16W	5.1K D RECT.	チ	ッ	ブ	抵抗		01
R504	RF45556R	CHIP RESISTOR 1/16W	560.0 D RECT.	チ	ッ	ブ	抵抗		
R505	RF457120	CHIP RESISTOR 1/16W	12.0K D RECT.	チ	ッ	ブ	抵抗		
R506	RF458100	CHIP RESISTOR 1/16W	100.0K D RECT.	チ	ッ	ブ	抵抗		
-509	RF458100	CHIP RESISTOR 1/16W	100.0K D RECT.	チ	ッ	ブ	抵抗		
R510	RD35410R	CHIP RESISTOR 1/16W	10.0 63M J RECT.	チ	ッ	ブ	抵抗		01
R511	RF35622R	CHIP RESISTOR 1/16W	2.2K D 1608	チ	ッ	ブ	抵抗		01
R512	RF35682R	CHIP RESISTOR 1/16W	8.2K D 1608	チ	ッ	ブ	抵抗		01
R513	RF354200	CHIP RESISTOR 1/16W	20.0 D 1608	チ	ッ	ブ	抵抗		01
R514	RF35724R	CHIP RESISTOR 1/16W	24.0K D 1608	チ	ッ	ブ	抵抗		
R515	RF35622R	CHIP RESISTOR 1/16W	2.2K D 1608	チ	ッ	ブ	抵抗		01
R516	RF35682R	CHIP RESISTOR 1/16W	8.2K D 1608	チ	ッ	ブ	抵抗		01
R517	RF35724R	CHIP RESISTOR 1/16W	24.0K D 1608	チ	ッ	ブ	抵抗		
R518	RD35410R	CHIP RESISTOR 1/16W	10.0 63M J RECT.	チ	ッ	ブ	抵抗		01
R519	RF35647R	CHIP RESISTOR 1/16W	4.7K D 1608	チ	ッ	ブ	抵抗		01
R520	RF35647R	CHIP RESISTOR 1/16W	4.7K D 1608	チ	ッ	ブ	抵抗		01
R521	RF457120	CHIP RESISTOR 1/16W	12.0K D RECT.	チ	ッ	ブ	抵抗		
R522	RF457120	CHIP RESISTOR 1/16W	12.0K D RECT.	チ	ッ	ブ	抵抗		
R523	RF457100	CHIP RESISTOR 1/16W	10.0K D RECT.	チ	ッ	ブ	抵抗		
R524	RF457120	CHIP RESISTOR 1/16W	12.0K D RECT.	チ	ッ	ブ	抵抗		
R526	RD358220	CHIP RESISTOR 1/16W	220.0K 63M J RECT.	チ	ッ	ブ	抵抗		
R527	RF45739R	CHIP RESISTOR 1/16W	39.0K D RECT.	チ	ッ	ブ	抵抗		01
R528	RD357150	CHIP RESISTOR 1/16W	15.0K 63M J RECT.	チ	ッ	ブ	抵抗		
R529	RD355220	CHIP RESISTOR 1/16W	220.0 63M J RECT.	チ	ッ	ブ	抵抗		
R530	RF457120	CHIP RESISTOR 1/16W	12.0K D RECT.	チ	ッ	ブ	抵抗		
R531	RD357330	CHIP RESISTOR 1/16W	33.0K 63M J RECT.	チ	ッ	ブ	抵抗		
R532	RF457150	CHIP RESISTOR 1/16W	15.0K D 1608	チ	ッ	ブ	抵抗		01
R533	RD358220	CHIP RESISTOR 1/16W	220.0K 63M J RECT.	チ	ッ	ブ	抵抗		
R534	RD358220	CHIP RESISTOR 1/16W	220.0K 63M J RECT.	チ	ッ	ブ	抵抗		
R535	RD356470	CHIP RESISTOR 1/16W	4.7K 63M J RECT.	チ	ッ	ブ	抵抗		
R536	RD357100	CHIP RESISTOR 1/16W	10.0K 63M J RECT.	チ	ッ	ブ	抵抗		01
R537	RD355820	CHIP RESISTOR 1/16W	820.0 63M J RECT.	チ	ッ	ブ	抵抗		
R538	RF457120	CHIP RESISTOR 1/16W	12.0K D RECT.	チ	ッ	ブ	抵抗		
R539	RF457120	CHIP RESISTOR 1/16W	12.0K D RECT.	チ	ッ	ブ	抵抗		
R540	RF457100	CHIP RESISTOR 1/16W	10.0K D RECT.	チ	ッ	ブ	抵抗		
R541	RF456470	CHIP RESISTOR 1/16W	4.7K D RECT.	チ	ッ	ブ	抵抗		
R542	RF457330	CHIP RESISTOR 1/16W	33.0K D RECT.	チ	ッ	ブ	抵抗		
R543	RF457100	CHIP RESISTOR 1/16W	10.0K D RECT.	チ	ッ	ブ	抵抗		
R544	RF456560	CHIP RESISTOR 1/16W	5.6K D RECT.	チ	ッ	ブ	抵抗		
R545	RF456820	CHIP RESISTOR 1/16W	8.2K D RECT.	チ	ッ	ブ	抵抗		
R546	RF456820	CHIP RESISTOR 1/16W	8.2K D RECT.	チ	ッ	ブ	抵抗		
R547	RF456560	CHIP RESISTOR 1/16W	5.6K D RECT.	チ	ッ	ブ	抵抗		
R548	RF456560	CHIP RESISTOR 1/16W	5.6K D RECT.	チ	ッ	ブ	抵抗		
R549	RF456820	CHIP RESISTOR 1/16W	8.2K D RECT.	チ	ッ	ブ	抵抗		

*: New Parts

RANK: Japan only

IN1

REF NO.	PART NO.	DESCRIPTION	部 品 名	REMARKS	QTY	RANK
R550	RF456820	CHIP RESISTOR 1/16W	8.2K D RECT.	チ ッ プ 抵 抗		
R551	RF456470	CHIP RESISTOR 1/16W	4.7K D RECT.	チ ッ プ 抵 抗		
R552	RF456470	CHIP RESISTOR 1/16W	4.7K D RECT.	チ ッ プ 抵 抗		
R553	RD35410R	CHIP RESISTOR 1/16W	10.0 63M J RECT.	チ ッ プ 抵 抗		01
R554	RD358220	CHIP RESISTOR 1/16W	220.0K 63M J RECT.	チ ッ プ 抵 抗		
R555	RD358220	CHIP RESISTOR 1/16W	220.0K 63M J RECT.	チ ッ プ 抵 抗		
R556	RD35410R	CHIP RESISTOR 1/16W	10.0 63M J RECT.	チ ッ プ 抵 抗		01
R557	RD350001	CHIP RESISTOR 1/16W	0 63M J RECT.	チ ッ プ 抵 抗		01
R560	RD357100	CHIP RESISTOR 1/16W	10.0K 63M J RECT.	チ ッ プ 抵 抗		01
R561	RD357100	CHIP RESISTOR 1/16W	10.0K 63M J RECT.	チ ッ プ 抵 抗		01
R562	RD358220	CHIP RESISTOR 1/16W	220.0K 63M J RECT.	チ ッ プ 抵 抗		
R563	RD35410R	CHIP RESISTOR 1/16W	10.0 63M J RECT.	チ ッ プ 抵 抗		01
R564	RD35410R	CHIP RESISTOR 1/16W	10.0 63M J RECT.	チ ッ プ 抵 抗		01
R565	RD358220	CHIP RESISTOR 1/16W	220.0K 63M J RECT.	チ ッ プ 抵 抗		
R566	RD35410R	CHIP RESISTOR 1/16W	10.0 63M J RECT.	チ ッ プ 抵 抗		01
R601	RD15627R	CHIP RESISTOR 1/4W	2.7K 1/4 J TP	チ ッ プ 抵 抗		
R602	RF45651R	CHIP RESISTOR 1/16W	5.1K D RECT.	チ ッ プ 抵 抗		01
R603	RF45651R	CHIP RESISTOR 1/16W	5.1K D RECT.	チ ッ プ 抵 抗		01
R604	RF45556R	CHIP RESISTOR 1/16W	560.0 D RECT.	チ ッ プ 抵 抗		
R605	RF457120	CHIP RESISTOR 1/16W	12.0K D RECT.	チ ッ プ 抵 抗		
R606	RF458100	CHIP RESISTOR 1/16W	100.0K D RECT.	チ ッ プ 抵 抗		
-609	RF458100	CHIP RESISTOR 1/16W	100.0K D RECT.	チ ッ プ 抵 抗		
R610	RD35410R	CHIP RESISTOR 1/16W	10.0 63M J RECT.	チ ッ プ 抵 抗		01
R611	RF35622R	CHIP RESISTOR 1/16W	2.2K D 1608	チ ッ プ 抵 抗		01
R612	RF35682R	CHIP RESISTOR 1/16W	8.2K D 1608	チ ッ プ 抵 抗		01
R613	RF354200	CHIP RESISTOR 1/16W	20.0 D 1608	チ ッ プ 抵 抗		01
R614	RF35724R	CHIP RESISTOR 1/16W	24.0K D 1608	チ ッ プ 抵 抗		
R615	RF35622R	CHIP RESISTOR 1/16W	2.2K D 1608	チ ッ プ 抵 抗		01
R616	RF35682R	CHIP RESISTOR 1/16W	8.2K D 1608	チ ッ プ 抵 抗		01
R617	RF35724R	CHIP RESISTOR 1/16W	24.0K D 1608	チ ッ プ 抵 抗		
R618	RD35410R	CHIP RESISTOR 1/16W	10.0 63M J RECT.	チ ッ プ 抵 抗		01
R619	RF35647R	CHIP RESISTOR 1/16W	4.7K D 1608	チ ッ プ 抵 抗		01
R620	RF35647R	CHIP RESISTOR 1/16W	4.7K D 1608	チ ッ プ 抵 抗		01
R621	RF457120	CHIP RESISTOR 1/16W	12.0K D RECT.	チ ッ プ 抵 抗		
R622	RF457120	CHIP RESISTOR 1/16W	12.0K D RECT.	チ ッ プ 抵 抗		
R623	RF457100	CHIP RESISTOR 1/16W	10.0K D RECT.	チ ッ プ 抵 抗		
R624	RF457120	CHIP RESISTOR 1/16W	12.0K D RECT.	チ ッ プ 抵 抗		
R626	RD358220	CHIP RESISTOR 1/16W	220.0K 63M J RECT.	チ ッ プ 抵 抗		
R627	RF45739R	CHIP RESISTOR 1/16W	39.0K D RECT.	チ ッ プ 抵 抗		01
R628	RD357150	CHIP RESISTOR 1/16W	15.0K 63M J RECT.	チ ッ プ 抵 抗		
R629	RD355220	CHIP RESISTOR 1/16W	220.0 63M J RECT.	チ ッ プ 抵 抗		
R630	RF457120	CHIP RESISTOR 1/16W	12.0K D RECT.	チ ッ プ 抵 抗		
R631	RD357330	CHIP RESISTOR 1/16W	33.0K 63M J RECT.	チ ッ プ 抵 抗		
R632	RF457150	CHIP RESISTOR 1/16W	15.0K D 1608	チ ッ プ 抵 抗		01
R633	RD358220	CHIP RESISTOR 1/16W	220.0K 63M J RECT.	チ ッ プ 抵 抗		
R634	RD358220	CHIP RESISTOR 1/16W	220.0K 63M J RECT.	チ ッ プ 抵 抗		
R635	RF457120	CHIP RESISTOR 1/16W	12.0K D RECT.	チ ッ プ 抵 抗		
R636	RF457120	CHIP RESISTOR 1/16W	12.0K D RECT.	チ ッ プ 抵 抗		
R637	RF457100	CHIP RESISTOR 1/16W	10.0K D RECT.	チ ッ プ 抵 抗		
R638	RF456470	CHIP RESISTOR 1/16W	4.7K D RECT.	チ ッ プ 抵 抗		
R639	RF457330	CHIP RESISTOR 1/16W	33.0K D RECT.	チ ッ プ 抵 抗		
R640	RF457100	CHIP RESISTOR 1/16W	10.0K D RECT.	チ ッ プ 抵 抗		
R641	RF456560	CHIP RESISTOR 1/16W	5.6K D RECT.	チ ッ プ 抵 抗		
R642	RF456820	CHIP RESISTOR 1/16W	8.2K D RECT.	チ ッ プ 抵 抗		
R643	RF456820	CHIP RESISTOR 1/16W	8.2K D RECT.	チ ッ プ 抵 抗		
R644	RF456560	CHIP RESISTOR 1/16W	5.6K D RECT.	チ ッ プ 抵 抗		
R645	RF456560	CHIP RESISTOR 1/16W	5.6K D RECT.	チ ッ プ 抵 抗		
R646	RF456820	CHIP RESISTOR 1/16W	8.2K D RECT.	チ ッ プ 抵 抗		
R647	RF456820	CHIP RESISTOR 1/16W	8.2K D RECT.	チ ッ プ 抵 抗		
R648	RF456470	CHIP RESISTOR 1/16W	4.7K D RECT.	チ ッ プ 抵 抗		
R649	RF456470	CHIP RESISTOR 1/16W	4.7K D RECT.	チ ッ プ 抵 抗		
R650	RD35410R	CHIP RESISTOR 1/16W	10.0 63M J RECT.	チ ッ プ 抵 抗		01
R651	RD358220	CHIP RESISTOR 1/16W	220.0K 63M J RECT.	チ ッ プ 抵 抗		
R652	RD358220	CHIP RESISTOR 1/16W	220.0K 63M J RECT.	チ ッ プ 抵 抗		
R653	RD35410R	CHIP RESISTOR 1/16W	10.0 63M J RECT.	チ ッ プ 抵 抗		01
R654	RD350001	CHIP RESISTOR 1/16W	0 63M J RECT.	チ ッ プ 抵 抗		01
R657	RD357100	CHIP RESISTOR 1/16W	10.0K 63M J RECT.	チ ッ プ 抵 抗		01
R658	RD357100	CHIP RESISTOR 1/16W	10.0K 63M J RECT.	チ ッ プ 抵 抗		01
R662	RD358220	CHIP RESISTOR 1/16W	220.0K 63M J RECT.	チ ッ プ 抵 抗		
R663	RD35410R	CHIP RESISTOR 1/16W	10.0 63M J RECT.	チ ッ プ 抵 抗		01

*: New Parts

RANK: Japan only

IN1

REF NO.	PART NO.	DESCRIPTION		部	品	名	REMARKS	QTY	RANK
R664	RD35410R	CHIP RESISTOR 1/16W	10.0 63M J RECT.	チ	ッ	ブ	抵抗		01
R665	RD358220	CHIP RESISTOR 1/16W	220.0K 63M J RECT.	チ	ッ	ブ	抵抗		
R666	RD35410R	CHIP RESISTOR 1/16W	10.0 63M J RECT.	チ	ッ	ブ	抵抗		01
R701	RD15627R	CHIP RESISTOR 1/4W	2.7K 1/4 J TP	チ	ッ	ブ	抵抗		
R702	RF45651R	CHIP RESISTOR 1/16W	5.1K D RECT.	チ	ッ	ブ	抵抗		01
R703	RF45651R	CHIP RESISTOR 1/16W	5.1K D RECT.	チ	ッ	ブ	抵抗		01
R704	RF45556R	CHIP RESISTOR 1/16W	560.0 D RECT.	チ	ッ	ブ	抵抗		
R705	RF457120	CHIP RESISTOR 1/16W	12.0K D RECT.	チ	ッ	ブ	抵抗		
R706	RF458100	CHIP RESISTOR 1/16W	100.0K D RECT.	チ	ッ	ブ	抵抗		
-709	RF458100	CHIP RESISTOR 1/16W	100.0K D RECT.	チ	ッ	ブ	抵抗		
R710	RD35410R	CHIP RESISTOR 1/16W	10.0 63M J RECT.	チ	ッ	ブ	抵抗		01
R711	RF35622R	CHIP RESISTOR 1/16W	2.2K D 1608	チ	ッ	ブ	抵抗		01
R712	RF35682R	CHIP RESISTOR 1/16W	8.2K D 1608	チ	ッ	ブ	抵抗		01
R713	RF354200	CHIP RESISTOR 1/16W	20.0 D 1608	チ	ッ	ブ	抵抗		01
R714	RF35724R	CHIP RESISTOR 1/16W	24.0K D 1608	チ	ッ	ブ	抵抗		
R715	RF35622R	CHIP RESISTOR 1/16W	2.2K D 1608	チ	ッ	ブ	抵抗		01
R716	RF35682R	CHIP RESISTOR 1/16W	8.2K D 1608	チ	ッ	ブ	抵抗		01
R717	RF35724R	CHIP RESISTOR 1/16W	24.0K D 1608	チ	ッ	ブ	抵抗		
R718	RD35410R	CHIP RESISTOR 1/16W	10.0 63M J RECT.	チ	ッ	ブ	抵抗		01
R719	RF35647R	CHIP RESISTOR 1/16W	4.7K D 1608	チ	ッ	ブ	抵抗		01
R720	RF35647R	CHIP RESISTOR 1/16W	4.7K D 1608	チ	ッ	ブ	抵抗		01
R721	RF457120	CHIP RESISTOR 1/16W	12.0K D RECT.	チ	ッ	ブ	抵抗		
R722	RF457120	CHIP RESISTOR 1/16W	12.0K D RECT.	チ	ッ	ブ	抵抗		
R723	RF457100	CHIP RESISTOR 1/16W	10.0K D RECT.	チ	ッ	ブ	抵抗		
R724	RF457120	CHIP RESISTOR 1/16W	12.0K D RECT.	チ	ッ	ブ	抵抗		
R726	RD358220	CHIP RESISTOR 1/16W	220.0K 63M J RECT.	チ	ッ	ブ	抵抗		
R727	RF45739R	CHIP RESISTOR 1/16W	39.0K D RECT.	チ	ッ	ブ	抵抗		01
R728	RD357150	CHIP RESISTOR 1/16W	15.0K 63M J RECT.	チ	ッ	ブ	抵抗		
R729	RD355220	CHIP RESISTOR 1/16W	220.0 63M J RECT.	チ	ッ	ブ	抵抗		
R730	RF457120	CHIP RESISTOR 1/16W	12.0K D RECT.	チ	ッ	ブ	抵抗		
R731	RD357330	CHIP RESISTOR 1/16W	33.0K 63M J RECT.	チ	ッ	ブ	抵抗		
R732	RF457150	CHIP RESISTOR 1/16W	15.0K D 1608	チ	ッ	ブ	抵抗		01
R733	RD358220	CHIP RESISTOR 1/16W	220.0K 63M J RECT.	チ	ッ	ブ	抵抗		
R734	RD358220	CHIP RESISTOR 1/16W	220.0K 63M J RECT.	チ	ッ	ブ	抵抗		
R735	RF457120	CHIP RESISTOR 1/16W	12.0K D RECT.	チ	ッ	ブ	抵抗		
R736	RF457120	CHIP RESISTOR 1/16W	12.0K D RECT.	チ	ッ	ブ	抵抗		
R737	RF457100	CHIP RESISTOR 1/16W	10.0K D RECT.	チ	ッ	ブ	抵抗		
R738	RF456470	CHIP RESISTOR 1/16W	4.7K D RECT.	チ	ッ	ブ	抵抗		
R739	RF457330	CHIP RESISTOR 1/16W	33.0K D RECT.	チ	ッ	ブ	抵抗		
R740	RF457100	CHIP RESISTOR 1/16W	10.0K D RECT.	チ	ッ	ブ	抵抗		
R741	RF456560	CHIP RESISTOR 1/16W	5.6K D RECT.	チ	ッ	ブ	抵抗		
R742	RF456820	CHIP RESISTOR 1/16W	8.2K D RECT.	チ	ッ	ブ	抵抗		
R743	RF456820	CHIP RESISTOR 1/16W	8.2K D RECT.	チ	ッ	ブ	抵抗		
R744	RF456560	CHIP RESISTOR 1/16W	5.6K D RECT.	チ	ッ	ブ	抵抗		
R745	RF456560	CHIP RESISTOR 1/16W	5.6K D RECT.	チ	ッ	ブ	抵抗		
R746	RF456820	CHIP RESISTOR 1/16W	8.2K D RECT.	チ	ッ	ブ	抵抗		
R747	RF456820	CHIP RESISTOR 1/16W	8.2K D RECT.	チ	ッ	ブ	抵抗		
R748	RF456470	CHIP RESISTOR 1/16W	4.7K D RECT.	チ	ッ	ブ	抵抗		
R749	RF456470	CHIP RESISTOR 1/16W	4.7K D RECT.	チ	ッ	ブ	抵抗		
R750	RD35410R	CHIP RESISTOR 1/16W	10.0 63M J RECT.	チ	ッ	ブ	抵抗		01
R751	RD358220	CHIP RESISTOR 1/16W	220.0K 63M J RECT.	チ	ッ	ブ	抵抗		
R752	RD358220	CHIP RESISTOR 1/16W	220.0K 63M J RECT.	チ	ッ	ブ	抵抗		
R753	RD35410R	CHIP RESISTOR 1/16W	10.0 63M J RECT.	チ	ッ	ブ	抵抗		01
R754	RD350001	CHIP RESISTOR 1/16W	0 63M J RECT.	チ	ッ	ブ	抵抗		01
R757	RD357100	CHIP RESISTOR 1/16W	10.0K 63M J RECT.	チ	ッ	ブ	抵抗		01
R758	RD357100	CHIP RESISTOR 1/16W	10.0K 63M J RECT.	チ	ッ	ブ	抵抗		01
R759	RD356470	CHIP RESISTOR 1/16W	4.7K 63M J RECT.	チ	ッ	ブ	抵抗		
R760	RD357100	CHIP RESISTOR 1/16W	10.0K 63M J RECT.	チ	ッ	ブ	抵抗		01
R761	RD355820	CHIP RESISTOR 1/16W	820.0 63M J RECT.	チ	ッ	ブ	抵抗		
R762	RD358220	CHIP RESISTOR 1/16W	220.0K 63M J RECT.	チ	ッ	ブ	抵抗		
R763	RD35410R	CHIP RESISTOR 1/16W	10.0 63M J RECT.	チ	ッ	ブ	抵抗		01
R764	RD35410R	CHIP RESISTOR 1/16W	10.0 63M J RECT.	チ	ッ	ブ	抵抗		01
R765	RD358220	CHIP RESISTOR 1/16W	220.0K 63M J RECT.	チ	ッ	ブ	抵抗		
R766	RD35410R	CHIP RESISTOR 1/16W	10.0 63M J RECT.	チ	ッ	ブ	抵抗		01
R801	RD15627R	CHIP RESISTOR 1/4W	2.7K 1/4 J TP	チ	ッ	ブ	抵抗		
R802	RF45651R	CHIP RESISTOR 1/16W	5.1K D RECT.	チ	ッ	ブ	抵抗		01
R803	RF45651R	CHIP RESISTOR 1/16W	5.1K D RECT.	チ	ッ	ブ	抵抗		01
R804	RF45556R	CHIP RESISTOR 1/16W	560.0 D RECT.	チ	ッ	ブ	抵抗		
R805	RF457120	CHIP RESISTOR 1/16W	12.0K D RECT.	チ	ッ	ブ	抵抗		
R806	RF458100	CHIP RESISTOR 1/16W	100.0K D RECT.	チ	ッ	ブ	抵抗		

*: New Parts

RANK: Japan only

IN1

REF NO.	PART NO.	DESCRIPTION	部	品	名	REMARKS	QTY	RANK
-809	RF458100	CHIP RESISTOR 1/16W	100.0K D RECT.	チ	ツ	ブ 抵 抗		
R810	RD35410R	CHIP RESISTOR 1/16W	10.0 63M J RECT.	チ	ツ	ブ 抵 抗		01
R811	RF35622R	CHIP RESISTOR 1/16W	2.2K D 1608	チ	ツ	ブ 抵 抗		01
R812	RF35682R	CHIP RESISTOR 1/16W	8.2K D 1608	チ	ツ	ブ 抵 抗		01
R813	RF354200	CHIP RESISTOR 1/16W	20.0 D 1608	チ	ツ	ブ 抵 抗		01
R814	RF35724R	CHIP RESISTOR 1/16W	24.0K D 1608	チ	ツ	ブ 抵 抗		
R815	RF35622R	CHIP RESISTOR 1/16W	2.2K D 1608	チ	ツ	ブ 抵 抗		01
R816	RF35682R	CHIP RESISTOR 1/16W	8.2K D 1608	チ	ツ	ブ 抵 抗		01
R817	RF35724R	CHIP RESISTOR 1/16W	24.0K D 1608	チ	ツ	ブ 抵 抗		
R818	RD35410R	CHIP RESISTOR 1/16W	10.0 63M J RECT.	チ	ツ	ブ 抵 抗		01
R819	RF35647R	CHIP RESISTOR 1/16W	4.7K D 1608	チ	ツ	ブ 抵 抗		01
R820	RF35647R	CHIP RESISTOR 1/16W	4.7K D 1608	チ	ツ	ブ 抵 抗		01
R821	RF457120	CHIP RESISTOR 1/16W	12.0K D RECT.	チ	ツ	ブ 抵 抗		
R822	RF457120	CHIP RESISTOR 1/16W	12.0K D RECT.	チ	ツ	ブ 抵 抗		
R823	RF457100	CHIP RESISTOR 1/16W	10.0K D RECT.	チ	ツ	ブ 抵 抗		
R824	RF457120	CHIP RESISTOR 1/16W	12.0K D RECT.	チ	ツ	ブ 抵 抗		
R826	RD358220	CHIP RESISTOR 1/16W	220.0K 63M J RECT.	チ	ツ	ブ 抵 抗		
R827	RF45739R	CHIP RESISTOR 1/16W	39.0K D RECT.	チ	ツ	ブ 抵 抗		01
R828	RD357150	CHIP RESISTOR 1/16W	15.0K 63M J RECT.	チ	ツ	ブ 抵 抗		
R829	RD355220	CHIP RESISTOR 1/16W	220.0 63M J RECT.	チ	ツ	ブ 抵 抗		
R830	RF457120	CHIP RESISTOR 1/16W	12.0K D RECT.	チ	ツ	ブ 抵 抗		
R831	RD357330	CHIP RESISTOR 1/16W	33.0K 63M J RECT.	チ	ツ	ブ 抵 抗		
R832	RF457150	CHIP RESISTOR 1/16W	15.0K D 1608	チ	ツ	ブ 抵 抗		01
R833	RD358220	CHIP RESISTOR 1/16W	220.0K 63M J RECT.	チ	ツ	ブ 抵 抗		
R834	RD358220	CHIP RESISTOR 1/16W	220.0K 63M J RECT.	チ	ツ	ブ 抵 抗		
R835	RF457120	CHIP RESISTOR 1/16W	12.0K D RECT.	チ	ツ	ブ 抵 抗		
R836	RF457120	CHIP RESISTOR 1/16W	12.0K D RECT.	チ	ツ	ブ 抵 抗		
R837	RF457100	CHIP RESISTOR 1/16W	10.0K D RECT.	チ	ツ	ブ 抵 抗		
R838	RF456470	CHIP RESISTOR 1/16W	4.7K D RECT.	チ	ツ	ブ 抵 抗		
R839	RF457330	CHIP RESISTOR 1/16W	33.0K D RECT.	チ	ツ	ブ 抵 抗		
R840	RF457100	CHIP RESISTOR 1/16W	10.0K D RECT.	チ	ツ	ブ 抵 抗		
R841	RF456560	CHIP RESISTOR 1/16W	5.6K D RECT.	チ	ツ	ブ 抵 抗		
R842	RF456820	CHIP RESISTOR 1/16W	8.2K D RECT.	チ	ツ	ブ 抵 抗		
R843	RF456820	CHIP RESISTOR 1/16W	8.2K D RECT.	チ	ツ	ブ 抵 抗		
R844	RF456560	CHIP RESISTOR 1/16W	5.6K D RECT.	チ	ツ	ブ 抵 抗		
R845	RF456560	CHIP RESISTOR 1/16W	5.6K D RECT.	チ	ツ	ブ 抵 抗		
R846	RF456820	CHIP RESISTOR 1/16W	8.2K D RECT.	チ	ツ	ブ 抵 抗		
R847	RF456820	CHIP RESISTOR 1/16W	8.2K D RECT.	チ	ツ	ブ 抵 抗		
R848	RF456470	CHIP RESISTOR 1/16W	4.7K D RECT.	チ	ツ	ブ 抵 抗		
R849	RF456470	CHIP RESISTOR 1/16W	4.7K D RECT.	チ	ツ	ブ 抵 抗		
R850	RD35410R	CHIP RESISTOR 1/16W	10.0 63M J RECT.	チ	ツ	ブ 抵 抗		01
R851	RD358220	CHIP RESISTOR 1/16W	220.0K 63M J RECT.	チ	ツ	ブ 抵 抗		
R852	RD358220	CHIP RESISTOR 1/16W	220.0K 63M J RECT.	チ	ツ	ブ 抵 抗		
R853	RD35410R	CHIP RESISTOR 1/16W	10.0 63M J RECT.	チ	ツ	ブ 抵 抗		01
R854	RD350001	CHIP RESISTOR 1/16W	0 63M J RECT.	チ	ツ	ブ 抵 抗		01
R857	RD357100	CHIP RESISTOR 1/16W	10.0K 63M J RECT.	チ	ツ	ブ 抵 抗		01
R858	RD357100	CHIP RESISTOR 1/16W	10.0K 63M J RECT.	チ	ツ	ブ 抵 抗		01
R862	RD358220	CHIP RESISTOR 1/16W	220.0K 63M J RECT.	チ	ツ	ブ 抵 抗		
R863	RD35410R	CHIP RESISTOR 1/16W	10.0 63M J RECT.	チ	ツ	ブ 抵 抗		01
R864	RD35410R	CHIP RESISTOR 1/16W	10.0 63M J RECT.	チ	ツ	ブ 抵 抗		01
R865	RD358220	CHIP RESISTOR 1/16W	220.0K 63M J RECT.	チ	ツ	ブ 抵 抗		
R866	RD35410R	CHIP RESISTOR 1/16W	10.0 63M J RECT.	チ	ツ	ブ 抵 抗		01
RJ01	RD350001	CHIP RESISTOR 1/16W	0 63M J RECT.	チ	ツ	ブ 抵 抗		01
RJ02	RD350001	CHIP RESISTOR 1/16W	0 63M J RECT.	チ	ツ	ブ 抵 抗		01
SW101	WH918700	PUSH SWITCH	PS-22E85L-02	ブ	ツ	シ ュ S W	+48V	01
SW102	WH918700	PUSH SWITCH	PS-22E85L-02	ブ	ツ	シ ュ S W	PAD	01
SW103	WH918700	PUSH SWITCH	PS-22E85L-02	ブ	ツ	シ ュ S W	φ	01
SW104	WH918700	PUSH SWITCH	PS-22E85L-02	ブ	ツ	シ ュ S W	/80	01
SW105	WH918700	PUSH SWITCH	PS-22E85L-02	ブ	ツ	シ ュ S W	EQ DN	01
SW201	WH918700	PUSH SWITCH	PS-22E85L-02	ブ	ツ	シ ュ S W	+48V	01
SW202	WH918700	PUSH SWITCH	PS-22E85L-02	ブ	ツ	シ ュ S W	PAD	01
SW203	WH918700	PUSH SWITCH	PS-22E85L-02	ブ	ツ	シ ュ S W	φ	01
SW204	WH918700	PUSH SWITCH	PS-22E85L-02	ブ	ツ	シ ュ S W	/80	01
SW205	WH918700	PUSH SWITCH	PS-22E85L-02	ブ	ツ	シ ュ S W	EQ DN	01
SW301	WH918700	PUSH SWITCH	PS-22E85L-02	ブ	ツ	シ ュ S W	+48V	01
SW302	WH918700	PUSH SWITCH	PS-22E85L-02	ブ	ツ	シ ュ S W	PAD	01
SW303	WH918700	PUSH SWITCH	PS-22E85L-02	ブ	ツ	シ ュ S W	φ	01
SW304	WH918700	PUSH SWITCH	PS-22E85L-02	ブ	ツ	シ ュ S W	/80	01
SW305	WH918700	PUSH SWITCH	PS-22E85L-02	ブ	ツ	シ ュ S W	EQ DN	01
SW401	WH918700	PUSH SWITCH	PS-22E85L-02	ブ	ツ	シ ュ S W	+48V	01

*: New Parts

RANK: Japan only

IN1 and IN2

REF NO.	PART NO.	DESCRIPTION	部 品 名	REMARKS	QTY	RANK
* VR502	WN156900	ROTARY VARIABLE RESISTOR	B 50.0K XV012313YG	2 連 ロータリ-VR		
* VR503	WM450900	ROTARY VARIABLE RESISTOR	1BP 50.0K XV09213Y	ロータリ-VR	LOW	
* VR504	WM450900	ROTARY VARIABLE RESISTOR	1BP 50.0K XV09213Y	ロータリ-VR	HIGH	
VR505	V979130R	ROTARY VARIABLE RESISTOR	C 100.0K XV012313	2 連 ロータリ-VR	} HI-MID	04
* VR505	WN156800	ROTARY VARIABLE RESISTOR	C 100.0K XV012313Y	2 連 ロータリ-VR		
VR506	V8393300	ROTARY VARIABLE RESISTOR	W 20.0K XV09213YNP	ロータリ-VR	H-MID -15 - +15	03
VR507	V979130R	ROTARY VARIABLE RESISTOR	C 100.0K XV012313	2 連 ロータリ-VR	} LO-MID	04
* VR507	WN156800	ROTARY VARIABLE RESISTOR	C 100.0K XV012313Y	2 連 ロータリ-VR		
VR508	V8393300	ROTARY VARIABLE RESISTOR	W 20.0K XV09213YNP	ロータリ-VR	} LO-MID -15 - +15	03
VR601	V8393201	ROTARY VARIABLE RESISTOR	RD 5.0K XV09213YNP	ロータリ-VR		
VR602	WE43150R	ROTARY VARIABLE RESISTOR	B 50.0K XV012313	2 連 ロータリ-VR	} COMP	01
* VR602	WN156900	ROTARY VARIABLE RESISTOR	B 50.0K XV012313YG	2 連 ロータリ-VR		
* VR603	WM450900	ROTARY VARIABLE RESISTOR	1BP 50.0K XV09213Y	ロータリ-VR	LOW	
* VR604	WM450900	ROTARY VARIABLE RESISTOR	1BP 50.0K XV09213Y	ロータリ-VR	HIGH	
VR605	V979130R	ROTARY VARIABLE RESISTOR	C 100.0K XV012313	2 連 ロータリ-VR	} HI-MID	04
* VR605	WN156800	ROTARY VARIABLE RESISTOR	C 100.0K XV012313Y	2 連 ロータリ-VR		
VR606	V8393300	ROTARY VARIABLE RESISTOR	W 20.0K XV09213YNP	ロータリ-VR	} H-MID -15 - +15	03
VR607	V979130R	ROTARY VARIABLE RESISTOR	C 100.0K XV012313	2 連 ロータリ-VR		
* VR607	WN156800	ROTARY VARIABLE RESISTOR	C 100.0K XV012313Y	2 連 ロータリ-VR		
VR608	V8393300	ROTARY VARIABLE RESISTOR	W 20.0K XV09213YNP	ロータリ-VR	} LO-MID -15 - +15	03
VR701	V8393201	ROTARY VARIABLE RESISTOR	RD 5.0K XV09213YNP	ロータリ-VR		
VR702	WE43150R	ROTARY VARIABLE RESISTOR	B 50.0K XV012313	2 連 ロータリ-VR	} COMP	01
* VR702	WN156900	ROTARY VARIABLE RESISTOR	B 50.0K XV012313YG	2 連 ロータリ-VR		
* VR703	WM450900	ROTARY VARIABLE RESISTOR	1BP 50.0K XV09213Y	ロータリ-VR	LOW	
* VR704	WM450900	ROTARY VARIABLE RESISTOR	1BP 50.0K XV09213Y	ロータリ-VR	HIGH	
VR705	V979130R	ROTARY VARIABLE RESISTOR	C 100.0K XV012313	2 連 ロータリ-VR	} HI-MID	04
* VR705	WN156800	ROTARY VARIABLE RESISTOR	C 100.0K XV012313Y	2 連 ロータリ-VR		
VR706	V8393300	ROTARY VARIABLE RESISTOR	W 20.0K XV09213YNP	ロータリ-VR	} H-MID -15 - +15	03
VR707	V979130R	ROTARY VARIABLE RESISTOR	C 100.0K XV012313	2 連 ロータリ-VR		
* VR707	WN156800	ROTARY VARIABLE RESISTOR	C 100.0K XV012313Y	2 連 ロータリ-VR		
VR708	V8393300	ROTARY VARIABLE RESISTOR	W 20.0K XV09213YNP	ロータリ-VR	} LO-MID -15 - +15	03
VR801	V8393201	ROTARY VARIABLE RESISTOR	RD 5.0K XV09213YNP	ロータリ-VR		
VR802	WE43150R	ROTARY VARIABLE RESISTOR	B 50.0K XV012313	2 連 ロータリ-VR	} COMP	01
* VR802	WN156900	ROTARY VARIABLE RESISTOR	B 50.0K XV012313YG	2 連 ロータリ-VR		
* VR803	WM450900	ROTARY VARIABLE RESISTOR	1BP 50.0K XV09213Y	ロータリ-VR	LOW	
* VR804	WM450900	ROTARY VARIABLE RESISTOR	1BP 50.0K XV09213Y	ロータリ-VR	HIGH	
VR805	V979130R	ROTARY VARIABLE RESISTOR	C 100.0K XV012313	2 連 ロータリ-VR	} HI-MID	04
* VR805	WN156800	ROTARY VARIABLE RESISTOR	C 100.0K XV012313Y	2 連 ロータリ-VR		
VR806	V8393300	ROTARY VARIABLE RESISTOR	W 20.0K XV09213YNP	ロータリ-VR	} H-MID -15 - +15	03
VR807	V979130R	ROTARY VARIABLE RESISTOR	C 100.0K XV012313	2 連 ロータリ-VR		
* VR807	WN156800	ROTARY VARIABLE RESISTOR	C 100.0K XV012313Y	2 連 ロータリ-VR		
VR808	V8393300	ROTARY VARIABLE RESISTOR	W 20.0K XV09213YNP	ロータリ-VR	} LO-MID -15 - +15	03
* C101	WJ985800	CIRCUIT BOARD	IN2	1 N 2 シ ー ト		
C102	US064100	CERAMIC CAPACITOR-B (CHIP)	0.0100 50V K RECT.	チ ッ プ セ ラ (B)		
C104	US062100	CERAMIC CAPACITOR-SL (CHIP)	100P 50V J RECT.	チ ッ プ セ ラ (S L)		
C106	US062470	CERAMIC CAPACITOR-SL (CHIP)	470P 50V J RECT.	チ ッ プ セ ラ (S L)		
C107	UR866100	ELECTROLYTIC CAPACITOR	1.00 50.0V RX TP	ケ ミ コ ン		01
C108	UR857470	ELECTROLYTIC CAPACITOR	47.00 35.0V RX TP	ケ ミ コ ン		
C109	UR866470	ELECTROLYTIC CAPACITOR	4.70 50.0V RX TP	ケ ミ コ ン		
C110	UR867100	ELECTROLYTIC CAPACITOR	10.00 50.0V RX TP	ケ ミ コ ン		
C111	US062100	CERAMIC CAPACITOR-SL (CHIP)	100P 50V J RECT.	チ ッ プ セ ラ (S L)		
C112	US062100	CERAMIC CAPACITOR-SL (CHIP)	100P 50V J RECT.	チ ッ プ セ ラ (S L)		
C113	US061470	CERAMIC CAPACITOR-CH (CHIP)	47P 50V J RECT.	チ ッ プ セ ラ (C H)		
C114	UR857470	ELECTROLYTIC CAPACITOR	47.00 35.0V RX TP	ケ ミ コ ン		
C115	US064100	CERAMIC CAPACITOR-B (CHIP)	0.0100 50V K RECT.	チ ッ プ セ ラ (B)		
-120	US064100	CERAMIC CAPACITOR-B (CHIP)	0.0100 50V K RECT.	チ ッ プ セ ラ (B)		
C121	US062220	CERAMIC CAPACITOR-SL (CHIP)	220P 50V J RECT.	チ ッ プ セ ラ (S L)		
C122	US06168R	CERAMIC CAPACITOR-SL (CHIP)	68P 50V J RECT.	チ ッ プ セ ラ (S L)		01
C123	UR838100	ELECTROLYTIC CAPACITOR	100.00 16.0V RX TP	ケ ミ コ ン		
C124	UR818220	ELECTROLYTIC CAPACITOR	220.00 6.3V RX TP	ケ ミ コ ン		
C125	US064100	CERAMIC CAPACITOR-B (CHIP)	0.0100 50V K RECT.	チ ッ プ セ ラ (B)		
C126	US064100	CERAMIC CAPACITOR-B (CHIP)	0.0100 50V K RECT.	チ ッ プ セ ラ (B)		
C202	US062100	CERAMIC CAPACITOR-SL (CHIP)	100P 50V J RECT.	チ ッ プ セ ラ (S L)		
C204	US062470	CERAMIC CAPACITOR-SL (CHIP)	470P 50V J RECT.	チ ッ プ セ ラ (S L)		01
C205	UR866100	ELECTROLYTIC CAPACITOR	1.00 50.0V RX TP	ケ ミ コ ン		
C206	UR857470	ELECTROLYTIC CAPACITOR	47.00 35.0V RX TP	ケ ミ コ ン		
C207	UR866470	ELECTROLYTIC CAPACITOR	4.70 50.0V RX TP	ケ ミ コ ン		
C208	UR867100	ELECTROLYTIC CAPACITOR	10.00 50.0V RX TP	ケ ミ コ ン		

*: New Parts

RANK: Japan only

IN2

REF NO.	PART NO.	DESCRIPTION	部 品 名	REMARKS	QTY	RANK
C209	US062100	CERAMIC CAPACITOR-SL (CHIP)	100P 50V J RECT.	チ ッ プ セ ラ (S L)		
C210	US062100	CERAMIC CAPACITOR-SL (CHIP)	100P 50V J RECT.	チ ッ プ セ ラ (S L)		
C211	US061470	CERAMIC CAPACITOR-CH (CHIP)	47P 50V J RECT.	チ ッ プ セ ラ (C H)		
C212	UR857470	ELECTROLYTIC CAPACITOR	47.00 35.0V RX TP	ケ ミ コ ン		
C213	US064100	CERAMIC CAPACITOR-B (CHIP)	0.0100 50V K RECT.	チ ッ プ セ ラ (B)		
-215	US064100	CERAMIC CAPACITOR-B (CHIP)	0.0100 50V K RECT.	チ ッ プ セ ラ (B)		
C216	UR867100	ELECTROLYTIC CAPACITOR	10.00 50.0V RX TP	ケ ミ コ ン		
C217	UR867100	ELECTROLYTIC CAPACITOR	10.00 50.0V RX TP	ケ ミ コ ン		
C219	UR867100	ELECTROLYTIC CAPACITOR	10.00 50.0V RX TP	ケ ミ コ ン		
C220	UR867100	ELECTROLYTIC CAPACITOR	10.00 50.0V RX TP	ケ ミ コ ン		
C221	US062220	CERAMIC CAPACITOR-SL (CHIP)	220P 50V J RECT.	チ ッ プ セ ラ (S L)		
C222	US06168R	CERAMIC CAPACITOR-SL (CHIP)	68P 50V J RECT.	チ ッ プ セ ラ (S L)		01
C223	UR838100	ELECTROLYTIC CAPACITOR	100.00 16.0V RX TP	ケ ミ コ ン		
C224	UR818220	ELECTROLYTIC CAPACITOR	220.00 6.3V RX TP	ケ ミ コ ン		
C301	US064100	CERAMIC CAPACITOR-B (CHIP)	0.0100 50V K RECT.	チ ッ プ セ ラ (B)		
C302	US064100	CERAMIC CAPACITOR-B (CHIP)	0.0100 50V K RECT.	チ ッ プ セ ラ (B)		
C304	US062100	CERAMIC CAPACITOR-SL (CHIP)	100P 50V J RECT.	チ ッ プ セ ラ (S L)		
C306	US062470	CERAMIC CAPACITOR-SL (CHIP)	470P 50V J RECT.	チ ッ プ セ ラ (S L)		01
C307	UR866100	ELECTROLYTIC CAPACITOR	1.00 50.0V RX TP	ケ ミ コ ン		
C308	UR857470	ELECTROLYTIC CAPACITOR	47.00 35.0V RX TP	ケ ミ コ ン		
C309	UR866470	ELECTROLYTIC CAPACITOR	4.70 50.0V RX TP	ケ ミ コ ン		
C310	UR867100	ELECTROLYTIC CAPACITOR	10.00 50.0V RX TP	ケ ミ コ ン		
C311	US062100	CERAMIC CAPACITOR-SL (CHIP)	100P 50V J RECT.	チ ッ プ セ ラ (S L)		
C312	US062100	CERAMIC CAPACITOR-SL (CHIP)	100P 50V J RECT.	チ ッ プ セ ラ (S L)		
C313	US061470	CERAMIC CAPACITOR-CH (CHIP)	47P 50V J RECT.	チ ッ プ セ ラ (C H)		
C314	UR857470	ELECTROLYTIC CAPACITOR	47.00 35.0V RX TP	ケ ミ コ ン		
C315	US064100	CERAMIC CAPACITOR-B (CHIP)	0.0100 50V K RECT.	チ ッ プ セ ラ (B)		
-320	US064100	CERAMIC CAPACITOR-B (CHIP)	0.0100 50V K RECT.	チ ッ プ セ ラ (B)		
C321	US062220	CERAMIC CAPACITOR-SL (CHIP)	220P 50V J RECT.	チ ッ プ セ ラ (S L)		
C322	US06168R	CERAMIC CAPACITOR-SL (CHIP)	68P 50V J RECT.	チ ッ プ セ ラ (S L)		01
C323	UR838100	ELECTROLYTIC CAPACITOR	100.00 16.0V RX TP	ケ ミ コ ン		
C324	UR818220	ELECTROLYTIC CAPACITOR	220.00 6.3V RX TP	ケ ミ コ ン		
C325	US064100	CERAMIC CAPACITOR-B (CHIP)	0.0100 50V K RECT.	チ ッ プ セ ラ (B)		
C326	US064100	CERAMIC CAPACITOR-B (CHIP)	0.0100 50V K RECT.	チ ッ プ セ ラ (B)		
C402	US062100	CERAMIC CAPACITOR-SL (CHIP)	100P 50V J RECT.	チ ッ プ セ ラ (S L)		
C404	US062470	CERAMIC CAPACITOR-SL (CHIP)	470P 50V J RECT.	チ ッ プ セ ラ (S L)		01
C405	UR866100	ELECTROLYTIC CAPACITOR	1.00 50.0V RX TP	ケ ミ コ ン		
C406	UR857470	ELECTROLYTIC CAPACITOR	47.00 35.0V RX TP	ケ ミ コ ン		
C407	UR866470	ELECTROLYTIC CAPACITOR	4.70 50.0V RX TP	ケ ミ コ ン		
C408	UR867100	ELECTROLYTIC CAPACITOR	10.00 50.0V RX TP	ケ ミ コ ン		
C409	US062100	CERAMIC CAPACITOR-SL (CHIP)	100P 50V J RECT.	チ ッ プ セ ラ (S L)		
C410	US062100	CERAMIC CAPACITOR-SL (CHIP)	100P 50V J RECT.	チ ッ プ セ ラ (S L)		
C411	US061470	CERAMIC CAPACITOR-CH (CHIP)	47P 50V J RECT.	チ ッ プ セ ラ (C H)		
C412	UR857470	ELECTROLYTIC CAPACITOR	47.00 35.0V RX TP	ケ ミ コ ン		
C413	US064100	CERAMIC CAPACITOR-B (CHIP)	0.0100 50V K RECT.	チ ッ プ セ ラ (B)		
-415	US064100	CERAMIC CAPACITOR-B (CHIP)	0.0100 50V K RECT.	チ ッ プ セ ラ (B)		
C416	US062220	CERAMIC CAPACITOR-SL (CHIP)	220P 50V J RECT.	チ ッ プ セ ラ (S L)		
C417	US06168R	CERAMIC CAPACITOR-SL (CHIP)	68P 50V J RECT.	チ ッ プ セ ラ (S L)		01
C418	UR838100	ELECTROLYTIC CAPACITOR	100.00 16.0V RX TP	ケ ミ コ ン		
C419	UR818220	ELECTROLYTIC CAPACITOR	220.00 6.3V RX TP	ケ ミ コ ン		
C501	US064100	CERAMIC CAPACITOR-B (CHIP)	0.0100 50V K RECT.	チ ッ プ セ ラ (B)		
C502	US064100	CERAMIC CAPACITOR-B (CHIP)	0.0100 50V K RECT.	チ ッ プ セ ラ (B)		
C504	US062100	CERAMIC CAPACITOR-SL (CHIP)	100P 50V J RECT.	チ ッ プ セ ラ (S L)		
C506	US062470	CERAMIC CAPACITOR-SL (CHIP)	470P 50V J RECT.	チ ッ プ セ ラ (S L)		01
C507	UR866100	ELECTROLYTIC CAPACITOR	1.00 50.0V RX TP	ケ ミ コ ン		
C508	UR857470	ELECTROLYTIC CAPACITOR	47.00 35.0V RX TP	ケ ミ コ ン		
C509	UR866470	ELECTROLYTIC CAPACITOR	4.70 50.0V RX TP	ケ ミ コ ン		
C510	UR867100	ELECTROLYTIC CAPACITOR	10.00 50.0V RX TP	ケ ミ コ ン		
C511	US062100	CERAMIC CAPACITOR-SL (CHIP)	100P 50V J RECT.	チ ッ プ セ ラ (S L)		
C512	US062100	CERAMIC CAPACITOR-SL (CHIP)	100P 50V J RECT.	チ ッ プ セ ラ (S L)		
C513	US061470	CERAMIC CAPACITOR-CH (CHIP)	47P 50V J RECT.	チ ッ プ セ ラ (C H)		
C514	UR857470	ELECTROLYTIC CAPACITOR	47.00 35.0V RX TP	ケ ミ コ ン		
C516	US064100	CERAMIC CAPACITOR-B (CHIP)	0.0100 50V K RECT.	チ ッ プ セ ラ (B)		
-521	US064100	CERAMIC CAPACITOR-B (CHIP)	0.0100 50V K RECT.	チ ッ プ セ ラ (B)		
C522	US062220	CERAMIC CAPACITOR-SL (CHIP)	220P 50V J RECT.	チ ッ プ セ ラ (S L)		
C523	US06168R	CERAMIC CAPACITOR-SL (CHIP)	68P 50V J RECT.	チ ッ プ セ ラ (S L)		01
C524	UR838100	ELECTROLYTIC CAPACITOR	100.00 16.0V RX TP	ケ ミ コ ン		
C525	UR818220	ELECTROLYTIC CAPACITOR	220.00 6.3V RX TP	ケ ミ コ ン		
C526	US064100	CERAMIC CAPACITOR-B (CHIP)	0.0100 50V K RECT.	チ ッ プ セ ラ (B)		
C527	US064100	CERAMIC CAPACITOR-B (CHIP)	0.0100 50V K RECT.	チ ッ プ セ ラ (B)		

*: New Parts

RANK: Japan only

IN2

REF NO.	PART NO.	DESCRIPTION	部 品 名	REMARKS	QTY	RANK
C602	US062100	CERAMIC CAPACITOR-SL (CHIP)	100P 50V J RECT.	チ ッ プ セ ラ (S L)		
C604	US062470	CERAMIC CAPACITOR-SL (CHIP)	470P 50V J RECT.	チ ッ プ セ ラ (S L)		01
C605	UR866100	ELECTROLYTIC CAPACITOR	1.00 50.0V RX TP	ケ ミ コ ン		
C606	UR857470	ELECTROLYTIC CAPACITOR	47.00 35.0V RX TP	ケ ミ コ ン		
C607	UR866470	ELECTROLYTIC CAPACITOR	4.70 50.0V RX TP	ケ ミ コ ン		
C608	UR867100	ELECTROLYTIC CAPACITOR	10.00 50.0V RX TP	ケ ミ コ ン		
C609	US062100	CERAMIC CAPACITOR-SL (CHIP)	100P 50V J RECT.	チ ッ プ セ ラ (S L)		
C610	US062100	CERAMIC CAPACITOR-SL (CHIP)	100P 50V J RECT.	チ ッ プ セ ラ (S L)		
C611	US061470	CERAMIC CAPACITOR-CH (CHIP)	47P 50V J RECT.	チ ッ プ セ ラ (C H)		
C612	UR857470	ELECTROLYTIC CAPACITOR	47.00 35.0V RX TP	ケ ミ コ ン		
C613	US064100	CERAMIC CAPACITOR-B (CHIP)	0.0100 50V K RECT.	チ ッ プ セ ラ (B)		
-615	US064100	CERAMIC CAPACITOR-B (CHIP)	0.0100 50V K RECT.	チ ッ プ セ ラ (B)		
C616	US062220	CERAMIC CAPACITOR-SL (CHIP)	220P 50V J RECT.	チ ッ プ セ ラ (S L)		
C617	US06168R	CERAMIC CAPACITOR-SL (CHIP)	68P 50V J RECT.	チ ッ プ セ ラ (S L)		01
C618	UR838100	ELECTROLYTIC CAPACITOR	100.00 16.0V RX TP	ケ ミ コ ン		
C619	UR818220	ELECTROLYTIC CAPACITOR	220.00 6.3V RX TP	ケ ミ コ ン		
C701	US064100	CERAMIC CAPACITOR-B (CHIP)	0.0100 50V K RECT.	チ ッ プ セ ラ (B)		
C702	US064100	CERAMIC CAPACITOR-B (CHIP)	0.0100 50V K RECT.	チ ッ プ セ ラ (B)		
C704	US062100	CERAMIC CAPACITOR-SL (CHIP)	100P 50V J RECT.	チ ッ プ セ ラ (S L)		
C706	US062470	CERAMIC CAPACITOR-SL (CHIP)	470P 50V J RECT.	チ ッ プ セ ラ (S L)		01
C707	UR866100	ELECTROLYTIC CAPACITOR	1.00 50.0V RX TP	ケ ミ コ ン		
C708	UR857470	ELECTROLYTIC CAPACITOR	47.00 35.0V RX TP	ケ ミ コ ン		
C709	UR866470	ELECTROLYTIC CAPACITOR	4.70 50.0V RX TP	ケ ミ コ ン		
C710	UR867100	ELECTROLYTIC CAPACITOR	10.00 50.0V RX TP	ケ ミ コ ン		
C711	US062100	CERAMIC CAPACITOR-SL (CHIP)	100P 50V J RECT.	チ ッ プ セ ラ (S L)		
C712	US062100	CERAMIC CAPACITOR-SL (CHIP)	100P 50V J RECT.	チ ッ プ セ ラ (S L)		
C713	US061470	CERAMIC CAPACITOR-CH (CHIP)	47P 50V J RECT.	チ ッ プ セ ラ (C H)		
C714	UR857470	ELECTROLYTIC CAPACITOR	47.00 35.0V RX TP	ケ ミ コ ン		
C716	US064100	CERAMIC CAPACITOR-B (CHIP)	0.0100 50V K RECT.	チ ッ プ セ ラ (B)		
-721	US064100	CERAMIC CAPACITOR-B (CHIP)	0.0100 50V K RECT.	チ ッ プ セ ラ (B)		
C722	US062220	CERAMIC CAPACITOR-SL (CHIP)	220P 50V J RECT.	チ ッ プ セ ラ (S L)		
C723	US06168R	CERAMIC CAPACITOR-SL (CHIP)	68P 50V J RECT.	チ ッ プ セ ラ (S L)		01
C724	UR838100	ELECTROLYTIC CAPACITOR	100.00 16.0V RX TP	ケ ミ コ ン		
C725	UR818220	ELECTROLYTIC CAPACITOR	220.00 6.3V RX TP	ケ ミ コ ン		
C726	US064100	CERAMIC CAPACITOR-B (CHIP)	0.0100 50V K RECT.	チ ッ プ セ ラ (B)		
C727	US064100	CERAMIC CAPACITOR-B (CHIP)	0.0100 50V K RECT.	チ ッ プ セ ラ (B)		
C802	US062100	CERAMIC CAPACITOR-SL (CHIP)	100P 50V J RECT.	チ ッ プ セ ラ (S L)		
C804	US062470	CERAMIC CAPACITOR-SL (CHIP)	470P 50V J RECT.	チ ッ プ セ ラ (S L)		01
C805	UR866100	ELECTROLYTIC CAPACITOR	1.00 50.0V RX TP	ケ ミ コ ン		
C806	UR857470	ELECTROLYTIC CAPACITOR	47.00 35.0V RX TP	ケ ミ コ ン		
C807	UR866470	ELECTROLYTIC CAPACITOR	4.70 50.0V RX TP	ケ ミ コ ン		
C808	UR867100	ELECTROLYTIC CAPACITOR	10.00 50.0V RX TP	ケ ミ コ ン		
C809	US062100	CERAMIC CAPACITOR-SL (CHIP)	100P 50V J RECT.	チ ッ プ セ ラ (S L)		
C810	US062100	CERAMIC CAPACITOR-SL (CHIP)	100P 50V J RECT.	チ ッ プ セ ラ (S L)		
C811	US061470	CERAMIC CAPACITOR-CH (CHIP)	47P 50V J RECT.	チ ッ プ セ ラ (C H)		
C812	UR857470	ELECTROLYTIC CAPACITOR	47.00 35.0V RX TP	ケ ミ コ ン		
C813	US064100	CERAMIC CAPACITOR-B (CHIP)	0.0100 50V K RECT.	チ ッ プ セ ラ (B)		
-815	US064100	CERAMIC CAPACITOR-B (CHIP)	0.0100 50V K RECT.	チ ッ プ セ ラ (B)		
C816	US062220	CERAMIC CAPACITOR-SL (CHIP)	220P 50V J RECT.	チ ッ プ セ ラ (S L)		
C817	US06168R	CERAMIC CAPACITOR-SL (CHIP)	68P 50V J RECT.	チ ッ プ セ ラ (S L)		01
C818	UR838100	ELECTROLYTIC CAPACITOR	100.00 16.0V RX TP	ケ ミ コ ン		
C819	UR818220	ELECTROLYTIC CAPACITOR	220.00 6.3V RX TP	ケ ミ コ ン		
CN101	VK02560R	WIRE TRAP	52147 12P TE	ワイヤートラップ		01
CN102	VB39080R	CONNECTOR BASE POST, TOP	PH 12P TE	ベースポスト		01
CN103	VB39070R	CONNECTOR BASE POST, TOP	PH 11P TE	ベースポスト		01
CN104	VB390500	CONNECTOR BASE POST, TOP	PH 9P TE	ベースポスト		
CN105	VB38990R	CONNECTOR BASE POST, TOP	PH 3P TE	ベースポスト		01
CN106	VB39030R	CONNECTOR BASE POST, TOP	PH 7P TE	ベースポスト		01
CN107	LB93204R	CONNECTOR BASE POST, TOP	VH 4P TE	ベースポスト		01
CN201	VB39060R	CONNECTOR BASE POST, TOP	PH 10P TE	ベースポスト		01
CN301	VK02560R	WIRE TRAP	52147 12P TE	ワイヤートラップ		01
CN501	VK02560R	WIRE TRAP	52147 12P TE	ワイヤートラップ		01
CN701	VK02560R	WIRE TRAP	52147 12P TE	ワイヤートラップ		01
D101	VT332900	DIODE	1SS355 TE-17 TP	ダイオード		
-107	VT332900	DIODE	1SS355 TE-17 TP	ダイオード		
D201	VT332900	DIODE	1SS355 TE-17 TP	ダイオード		
-207	VT332900	DIODE	1SS355 TE-17 TP	ダイオード		
D301	VT332900	DIODE	1SS355 TE-17 TP	ダイオード		
-307	VT332900	DIODE	1SS355 TE-17 TP	ダイオード		
D401	VT332900	DIODE	1SS355 TE-17 TP	ダイオード		

*: New Parts

RANK: Japan only

IN2

REF NO.	PART NO.	DESCRIPTION		部	品	名	REMARKS	QTY	RANK
-408	VT332900	DIODE	1SS355 TE-17 TP	ダ	イ	オ	- ド		
D501	VT332900	DIODE	1SS355 TE-17 TP	ダ	イ	オ	- ド		
-507	VT332900	DIODE	1SS355 TE-17 TP	ダ	イ	オ	- ド		
D601	VT332900	DIODE	1SS355 TE-17 TP	ダ	イ	オ	- ド		
-607	VT332900	DIODE	1SS355 TE-17 TP	ダ	イ	オ	- ド		
D701	VT332900	DIODE	1SS355 TE-17 TP	ダ	イ	オ	- ド		
-707	VT332900	DIODE	1SS355 TE-17 TP	ダ	イ	オ	- ド		
D801	VT332900	DIODE	1SS355 TE-17 TP	ダ	イ	オ	- ド		
-808	VT332900	DIODE	1SS355 TE-17 TP	ダ	イ	オ	- ド		
IC101	XY879A00	IC	TC74HC4053AF(EL,F)	イ			C MULTIPLEXER		03
IC102	XW876B00	IC	TC74VHC14F(EL,K,F)	イ			C INVERTER		01
IC103	X6897A00	IC	BA4560RF-E2	イ			C OP AMP		
IC104	X3505A00	IC	NJM2068M-D(TE2)	イ			C OP AMP		
IC105	X6266A0R	IC	BA10339F-E2	イ			C COMPARATOR		01
IC106	X3505A00	IC	NJM2068M-D(TE2)	イ			C OP AMP		
IC201	X3505A00	IC	NJM2068M-D(TE2)	イ			C OP AMP		
IC202	X6266A0R	IC	BA10339F-E2	イ			C COMPARATOR		01
IC301	XY879A00	IC	TC74HC4053AF(EL,F)	イ			C MULTIPLEXER		03
IC302	XW876B00	IC	TC74VHC14F(EL,K,F)	イ			C INVERTER		01
IC303	X6897A00	IC	BA4560RF-E2	イ			C OP AMP		
IC304	X3505A00	IC	NJM2068M-D(TE2)	イ			C OP AMP		
IC305	X6266A0R	IC	BA10339F-E2	イ			C COMPARATOR		01
IC306	X3505A00	IC	NJM2068M-D(TE2)	イ			C OP AMP		
IC401	X3505A00	IC	NJM2068M-D(TE2)	イ			C OP AMP		
IC402	X6266A0R	IC	BA10339F-E2	イ			C COMPARATOR		01
IC501	XY879A00	IC	TC74HC4053AF(EL,F)	イ			C MULTIPLEXER		03
IC502	XW876B00	IC	TC74VHC14F(EL,K,F)	イ			C INVERTER		01
IC503	X6897A00	IC	BA4560RF-E2	イ			C OP AMP		
IC504	X3505A00	IC	NJM2068M-D(TE2)	イ			C OP AMP		
IC505	X6266A0R	IC	BA10339F-E2	イ			C COMPARATOR		01
IC506	X3505A00	IC	NJM2068M-D(TE2)	イ			C OP AMP		
IC601	X3505A00	IC	NJM2068M-D(TE2)	イ			C OP AMP		
IC602	X6266A0R	IC	BA10339F-E2	イ			C COMPARATOR		01
IC701	XY879A00	IC	TC74HC4053AF(EL,F)	イ			C MULTIPLEXER		03
IC702	XW876B00	IC	TC74VHC14F(EL,K,F)	イ			C INVERTER		01
IC703	X6897A00	IC	BA4560RF-E2	イ			C OP AMP		
IC704	X3505A00	IC	NJM2068M-D(TE2)	イ			C OP AMP		
IC705	X6266A0R	IC	BA10339F-E2	イ			C COMPARATOR		01
IC706	X3505A00	IC	NJM2068M-D(TE2)	イ			C OP AMP		
IC801	X3505A00	IC	NJM2068M-D(TE2)	イ			C OP AMP		
IC802	X6266A0R	IC	BA10339F-E2	イ			C COMPARATOR		01
* LD101	WP841400	LED, YELLOW	HFY103PJW-3-B	L	E		D ON		
* LD102	WP841200	LED, RED	HFR203PJW-3-B	L	E		D PEAK		
* LD103	WP841400	LED, YELLOW	HFY103PJW-3-B	L	E		D 0		
* LD104	WP841300	LED, GREEN	HFG203PJW-3-B	L	E		D -12		
* LD105	WP841400	LED, YELLOW	HFY103PJW-3-B	L	E		D PEL		
* LD201	WP841400	LED, YELLOW	HFY103PJW-3-B	L	E		D ON		
* LD202	WP841200	LED, RED	HFR203PJW-3-B	L	E		D PEAK		
* LD203	WP841400	LED, YELLOW	HFY103PJW-3-B	L	E		D 0		
* LD204	WP841300	LED, GREEN	HFG203PJW-3-B	L	E		D -12		
* LD205	WP841400	LED, YELLOW	HFY103PJW-3-B	L	E		D PEL		
* LD301	WP841400	LED, YELLOW	HFY103PJW-3-B	L	E		D ON		
* LD302	WP841200	LED, RED	HFR203PJW-3-B	L	E		D PEAK		
* LD303	WP841400	LED, YELLOW	HFY103PJW-3-B	L	E		D 0		
* LD304	WP841300	LED, GREEN	HFG203PJW-3-B	L	E		D -12		
* LD305	WP841400	LED, YELLOW	HFY103PJW-3-B	L	E		D PEL		
* LD401	WP841400	LED, YELLOW	HFY103PJW-3-B	L	E		D ON		
* LD402	WP841200	LED, RED	HFR203PJW-3-B	L	E		D PEAK		
* LD403	WP841400	LED, YELLOW	HFY103PJW-3-B	L	E		D 0		
* LD404	WP841300	LED, GREEN	HFG203PJW-3-B	L	E		D -12		
* LD405	WP841400	LED, YELLOW	HFY103PJW-3-B	L	E		D PEL		
* LD501	WP841400	LED, YELLOW	HFY103PJW-3-B	L	E		D ON		
* LD502	WP841200	LED, RED	HFR203PJW-3-B	L	E		D PEAK		
* LD503	WP841400	LED, YELLOW	HFY103PJW-3-B	L	E		D 0		
* LD504	WP841300	LED, GREEN	HFG203PJW-3-B	L	E		D -12		
* LD505	WP841400	LED, YELLOW	HFY103PJW-3-B	L	E		D PEL		
* LD601	WP841400	LED, YELLOW	HFY103PJW-3-B	L	E		D ON		
* LD602	WP841200	LED, RED	HFR203PJW-3-B	L	E		D PEAK		
* LD603	WP841400	LED, YELLOW	HFY103PJW-3-B	L	E		D 0		
* LD604	WP841300	LED, GREEN	HFG203PJW-3-B	L	E		D -12		

*: New Parts

RANK: Japan only

IN2

REF NO.	PART NO.	DESCRIPTION	部 品 名	REMARKS	QTY	RANK
* LD605	WP841400	LED, YELLOW	HFY103PJW-3-B	L E D	PEL	
* LD701	WP841400	LED, YELLOW	HFY103PJW-3-B	L E D	ON	
* LD702	WP841200	LED, RED	HFR203PJW-3-B	L E D	PEAK	
* LD703	WP841400	LED, YELLOW	HFY103PJW-3-B	L E D	0	
* LD704	WP841300	LED, GREEN	HFG203PJW-3-B	L E D	-12	
* LD705	WP841400	LED, YELLOW	HFY103PJW-3-B	L E D	PEL	
* LD801	WP841400	LED, YELLOW	HFY103PJW-3-B	L E D	ON	
* LD802	WP841200	LED, RED	HFR203PJW-3-B	L E D	PEAK	
* LD803	WP841400	LED, YELLOW	HFY103PJW-3-B	L E D	0	
* LD804	WP841300	LED, GREEN	HFG203PJW-3-B	L E D	-12	
* LD805	WP841400	LED, YELLOW	HFY103PJW-3-B	L E D	PEL	
Q101	VV556500	TRANSISTOR	2SA1037AK Q,R,S TP	トランジスタ 2 S A		
Q102	VV556400	TRANSISTOR	2SC2412K Q,R,S TP	トランジスタ 2 S C		
Q103	VV556400	TRANSISTOR	2SC2412K Q,R,S TP	トランジスタ 2 S C		
Q104	VV556500	TRANSISTOR	2SA1037AK Q,R,S TP	トランジスタ 2 S A		
Q105	VV556500	TRANSISTOR	2SA1037AK Q,R,S TP	トランジスタ 2 S A		
Q201	VV556400	TRANSISTOR	2SC2412K Q,R,S TP	トランジスタ 2 S C		
Q202	VV556400	TRANSISTOR	2SC2412K Q,R,S TP	トランジスタ 2 S C		
Q203	VV556500	TRANSISTOR	2SA1037AK Q,R,S TP	トランジスタ 2 S A		
Q204	VV556500	TRANSISTOR	2SA1037AK Q,R,S TP	トランジスタ 2 S A		
Q301	VV556400	TRANSISTOR	2SC2412K Q,R,S TP	トランジスタ 2 S C		
Q302	VV556400	TRANSISTOR	2SC2412K Q,R,S TP	トランジスタ 2 S C		
Q303	VV556500	TRANSISTOR	2SA1037AK Q,R,S TP	トランジスタ 2 S A		
Q304	VV556500	TRANSISTOR	2SA1037AK Q,R,S TP	トランジスタ 2 S A		
Q401	VV556400	TRANSISTOR	2SC2412K Q,R,S TP	トランジスタ 2 S C		
Q402	VV556400	TRANSISTOR	2SC2412K Q,R,S TP	トランジスタ 2 S C		
Q403	VV556500	TRANSISTOR	2SA1037AK Q,R,S TP	トランジスタ 2 S A		
Q404	VV556500	TRANSISTOR	2SA1037AK Q,R,S TP	トランジスタ 2 S A		
Q405	VV556400	TRANSISTOR	2SC2412K Q,R,S TP	トランジスタ 2 S C		
Q406	VV556500	TRANSISTOR	2SA1037AK Q,R,S TP	トランジスタ 2 S A		
Q501	VV556500	TRANSISTOR	2SA1037AK Q,R,S TP	トランジスタ 2 S A		
Q502	VV556400	TRANSISTOR	2SC2412K Q,R,S TP	トランジスタ 2 S C		
Q503	VV556400	TRANSISTOR	2SC2412K Q,R,S TP	トランジスタ 2 S C		
Q504	VV556500	TRANSISTOR	2SA1037AK Q,R,S TP	トランジスタ 2 S A		
Q505	VV556500	TRANSISTOR	2SA1037AK Q,R,S TP	トランジスタ 2 S A		
Q601	VV556400	TRANSISTOR	2SC2412K Q,R,S TP	トランジスタ 2 S C		
Q602	VV556400	TRANSISTOR	2SC2412K Q,R,S TP	トランジスタ 2 S C		
Q603	VV556500	TRANSISTOR	2SA1037AK Q,R,S TP	トランジスタ 2 S A		
Q604	VV556500	TRANSISTOR	2SA1037AK Q,R,S TP	トランジスタ 2 S A		
Q701	VV556400	TRANSISTOR	2SC2412K Q,R,S TP	トランジスタ 2 S C		
Q702	VV556400	TRANSISTOR	2SC2412K Q,R,S TP	トランジスタ 2 S C		
Q703	VV556500	TRANSISTOR	2SA1037AK Q,R,S TP	トランジスタ 2 S A		
Q704	VV556500	TRANSISTOR	2SA1037AK Q,R,S TP	トランジスタ 2 S A		
Q801	VV556400	TRANSISTOR	2SC2412K Q,R,S TP	トランジスタ 2 S C		
Q802	VV556400	TRANSISTOR	2SC2412K Q,R,S TP	トランジスタ 2 S C		
Q803	VV556500	TRANSISTOR	2SA1037AK Q,R,S TP	トランジスタ 2 S A		
Q804	VV556500	TRANSISTOR	2SA1037AK Q,R,S TP	トランジスタ 2 S A		
Q805	VV556400	TRANSISTOR	2SC2412K Q,R,S TP	トランジスタ 2 S C		
Q806	VV556500	TRANSISTOR	2SA1037AK Q,R,S TP	トランジスタ 2 S A		
R103	RD356120	CHIP RESISTOR 1/16W	1.2K 63M J RECT.	チ ッ プ 抵 抗		
R104	RD357100	CHIP RESISTOR 1/16W	10.0K 63M J RECT.	チ ッ プ 抵 抗		01
R105	RD355150	CHIP RESISTOR 1/16W	150.0 63M J RECT.	チ ッ プ 抵 抗		
R108	RD556100	METAL FILM RESISTOR 1/10W	1.0K 0.1 D RECT.	チ ッ プ 厚 膜 抵 抗		
R109	RD357270	CHIP RESISTOR 1/16W	27.0K 63M J RECT.	チ ッ プ 抵 抗		
R110	RD357100	CHIP RESISTOR 1/16W	10.0K 63M J RECT.	チ ッ プ 抵 抗		01
R111	RD356100	CHIP RESISTOR 1/16W	1.0K 63M J RECT.	チ ッ プ 抵 抗		01
R112	RD358220	CHIP RESISTOR 1/16W	220.0K 63M J RECT.	チ ッ プ 抵 抗		
R113	RD355680	CHIP RESISTOR 1/16W	680.0 63M J RECT.	チ ッ プ 抵 抗		
R115	RD358100	CHIP RESISTOR 1/16W	100.0K 63M J RECT.	チ ッ プ 抵 抗		
R116	RD355220	CHIP RESISTOR 1/16W	220.0 63M J RECT.	チ ッ プ 抵 抗		
R117	RF457560	CHIP RESISTOR 1/16W	56.0K D RECT.	チ ッ プ 抵 抗		01
R118	RF457470	CHIP RESISTOR 1/16W	47.0K D RECT.	チ ッ プ 抵 抗		
R119	RF456680	CHIP RESISTOR 1/16W	6.8K D RECT.	チ ッ プ 抵 抗		
R120	RF455470	CHIP RESISTOR 1/16W	470.0 D RECT.	チ ッ プ 抵 抗		
R121	RF457470	CHIP RESISTOR 1/16W	47.0K D RECT.	チ ッ プ 抵 抗		
R122	RD358220	CHIP RESISTOR 1/16W	220.0K 63M J RECT.	チ ッ プ 抵 抗		
R123	RD358220	CHIP RESISTOR 1/16W	220.0K 63M J RECT.	チ ッ プ 抵 抗		
R124	RD355220	CHIP RESISTOR 1/16W	220.0 63M J RECT.	チ ッ プ 抵 抗		
R125	RF456680	CHIP RESISTOR 1/16W	6.8K D RECT.	チ ッ プ 抵 抗		
R126	RF457150	CHIP RESISTOR 1/16W	15.0K D 1608	チ ッ プ 抵 抗		01

*: New Parts

RANK: Japan only

IN2

REF NO.	PART NO.	DESCRIPTION		部	品	名	REMARKS	QTY	RANK
R127	RD355150	CHIP RESISTOR 1/16W	150.0 63M J RECT.	チ	ッ	ブ	抵抗		
R128	RD35410R	CHIP RESISTOR 1/16W	10.0 63M J RECT.	チ	ッ	ブ	抵抗		01
R129	RD357100	CHIP RESISTOR 1/16W	10.0K 63M J RECT.	チ	ッ	ブ	抵抗		01
R130	RD356120	CHIP RESISTOR 1/16W	1.2K 63M J RECT.	チ	ッ	ブ	抵抗		
R131	RD358220	CHIP RESISTOR 1/16W	220.0K 63M J RECT.	チ	ッ	ブ	抵抗		
R132	RF457180	CHIP RESISTOR 1/16W	18.0K D RECT.	チ	ッ	ブ	抵抗		
-152	RF457180	CHIP RESISTOR 1/16W	18.0K D RECT.	チ	ッ	ブ	抵抗		
R155	RD35410R	CHIP RESISTOR 1/16W	10.0 63M J RECT.	チ	ッ	ブ	抵抗		01
R156	RF457220	CHIP RESISTOR 1/16W	22.0K D RECT.	チ	ッ	ブ	抵抗		
R157	RF457220	CHIP RESISTOR 1/16W	22.0K D RECT.	チ	ッ	ブ	抵抗		
R158	RF457120	CHIP RESISTOR 1/16W	12.0K D RECT.	チ	ッ	ブ	抵抗		
R159	RF457120	CHIP RESISTOR 1/16W	12.0K D RECT.	チ	ッ	ブ	抵抗		
R160	RD358100	CHIP RESISTOR 1/16W	100.0K 63M J RECT.	チ	ッ	ブ	抵抗		
R161	RD556100	METAL FILM RESISTOR 1/10W	1.0K 0.1 D RECT.	チ	ッ	ブ厚膜	抵抗		
R162	RD358100	CHIP RESISTOR 1/16W	100.0K 63M J RECT.	チ	ッ	ブ	抵抗		
R163	RD350001	CHIP RESISTOR 1/16W	0 63M J RECT.	チ	ッ	ブ	抵抗		01
R205	RD556100	METAL FILM RESISTOR 1/10W	1.0K 0.1 D RECT.	チ	ッ	ブ厚膜	抵抗		
R206	RD357270	CHIP RESISTOR 1/16W	27.0K 63M J RECT.	チ	ッ	ブ	抵抗		
R207	RF45711R	CHIP RESISTOR 1/16W	11.0K D RECT.	チ	ッ	ブ	抵抗		01
R208	RF456110	CHIP RESISTOR 1/16W	1.1K D RECT.	チ	ッ	ブ	抵抗		01
R209	RD358220	CHIP RESISTOR 1/16W	220.0K 63M J RECT.	チ	ッ	ブ	抵抗		
R210	RD355680	CHIP RESISTOR 1/16W	680.0 63M J RECT.	チ	ッ	ブ	抵抗		
R212	RD358100	CHIP RESISTOR 1/16W	100.0K 63M J RECT.	チ	ッ	ブ	抵抗		
R213	RD355220	CHIP RESISTOR 1/16W	220.0 63M J RECT.	チ	ッ	ブ	抵抗		
R214	RF457560	CHIP RESISTOR 1/16W	56.0K D RECT.	チ	ッ	ブ	抵抗		01
R215	RF457470	CHIP RESISTOR 1/16W	47.0K D RECT.	チ	ッ	ブ	抵抗		
R216	RF456680	CHIP RESISTOR 1/16W	6.8K D RECT.	チ	ッ	ブ	抵抗		
R217	RF455470	CHIP RESISTOR 1/16W	470.0 D RECT.	チ	ッ	ブ	抵抗		
R218	RF457470	CHIP RESISTOR 1/16W	47.0K D RECT.	チ	ッ	ブ	抵抗		
R219	RD358220	CHIP RESISTOR 1/16W	220.0K 63M J RECT.	チ	ッ	ブ	抵抗		
R220	RD358220	CHIP RESISTOR 1/16W	220.0K 63M J RECT.	チ	ッ	ブ	抵抗		
R221	RD355220	CHIP RESISTOR 1/16W	220.0 63M J RECT.	チ	ッ	ブ	抵抗		
R222	RF456680	CHIP RESISTOR 1/16W	6.8K D RECT.	チ	ッ	ブ	抵抗		
R223	RF457150	CHIP RESISTOR 1/16W	15.0K D 1608	チ	ッ	ブ	抵抗		01
R224	RD355150	CHIP RESISTOR 1/16W	150.0 63M J RECT.	チ	ッ	ブ	抵抗		
R225	RD35410R	CHIP RESISTOR 1/16W	10.0 63M J RECT.	チ	ッ	ブ	抵抗		01
R226	RD357100	CHIP RESISTOR 1/16W	10.0K 63M J RECT.	チ	ッ	ブ	抵抗		01
R227	RD356120	CHIP RESISTOR 1/16W	1.2K 63M J RECT.	チ	ッ	ブ	抵抗		
R228	RD358220	CHIP RESISTOR 1/16W	220.0K 63M J RECT.	チ	ッ	ブ	抵抗		
R229	RF457180	CHIP RESISTOR 1/16W	18.0K D RECT.	チ	ッ	ブ	抵抗		
-249	RF457180	CHIP RESISTOR 1/16W	18.0K D RECT.	チ	ッ	ブ	抵抗		
R255	RD35410R	CHIP RESISTOR 1/16W	10.0 63M J RECT.	チ	ッ	ブ	抵抗		01
R256	RF457220	CHIP RESISTOR 1/16W	22.0K D RECT.	チ	ッ	ブ	抵抗		
R257	RF457220	CHIP RESISTOR 1/16W	22.0K D RECT.	チ	ッ	ブ	抵抗		
R258	RF457120	CHIP RESISTOR 1/16W	12.0K D RECT.	チ	ッ	ブ	抵抗		
R259	RF457120	CHIP RESISTOR 1/16W	12.0K D RECT.	チ	ッ	ブ	抵抗		
R260	RD556100	METAL FILM RESISTOR 1/10W	1.0K 0.1 D RECT.	チ	ッ	ブ厚膜	抵抗		
R261	RD358100	CHIP RESISTOR 1/16W	100.0K 63M J RECT.	チ	ッ	ブ	抵抗		
R262	RD358100	CHIP RESISTOR 1/16W	100.0K 63M J RECT.	チ	ッ	ブ	抵抗		
R263	RD350001	CHIP RESISTOR 1/16W	0 63M J RECT.	チ	ッ	ブ	抵抗		01
R305	RD556100	METAL FILM RESISTOR 1/10W	1.0K 0.1 D RECT.	チ	ッ	ブ厚膜	抵抗		
R306	RD357270	CHIP RESISTOR 1/16W	27.0K 63M J RECT.	チ	ッ	ブ	抵抗		
R307	RF457120	CHIP RESISTOR 1/16W	12.0K D RECT.	チ	ッ	ブ	抵抗		
R308	RF456120	CHIP RESISTOR 1/16W	1.2K D 1608	チ	ッ	ブ	抵抗		
R309	RD358220	CHIP RESISTOR 1/16W	220.0K 63M J RECT.	チ	ッ	ブ	抵抗		
R310	RD355680	CHIP RESISTOR 1/16W	680.0 63M J RECT.	チ	ッ	ブ	抵抗		
R312	RD358100	CHIP RESISTOR 1/16W	100.0K 63M J RECT.	チ	ッ	ブ	抵抗		
R313	RD355220	CHIP RESISTOR 1/16W	220.0 63M J RECT.	チ	ッ	ブ	抵抗		
R314	RF457560	CHIP RESISTOR 1/16W	56.0K D RECT.	チ	ッ	ブ	抵抗		01
R315	RF457470	CHIP RESISTOR 1/16W	47.0K D RECT.	チ	ッ	ブ	抵抗		
R316	RF456680	CHIP RESISTOR 1/16W	6.8K D RECT.	チ	ッ	ブ	抵抗		
R317	RF455470	CHIP RESISTOR 1/16W	470.0 D RECT.	チ	ッ	ブ	抵抗		
R318	RF457470	CHIP RESISTOR 1/16W	47.0K D RECT.	チ	ッ	ブ	抵抗		
R319	RD358220	CHIP RESISTOR 1/16W	220.0K 63M J RECT.	チ	ッ	ブ	抵抗		
R320	RD358220	CHIP RESISTOR 1/16W	220.0K 63M J RECT.	チ	ッ	ブ	抵抗		
R321	RD355220	CHIP RESISTOR 1/16W	220.0 63M J RECT.	チ	ッ	ブ	抵抗		
R322	RF456680	CHIP RESISTOR 1/16W	6.8K D RECT.	チ	ッ	ブ	抵抗		
R323	RF457150	CHIP RESISTOR 1/16W	15.0K D 1608	チ	ッ	ブ	抵抗		01
R324	RD355150	CHIP RESISTOR 1/16W	150.0 63M J RECT.	チ	ッ	ブ	抵抗		
R325	RD35410R	CHIP RESISTOR 1/16W	10.0 63M J RECT.	チ	ッ	ブ	抵抗		01

*: New Parts

RANK: Japan only

IN2

REF NO.	PART NO.	DESCRIPTION	部 品 名	REMARKS	QTY	RANK
R326	RD357100	CHIP RESISTOR 1/16W	10.0K 63M J RECT.	チ ッ プ 抵 抗		01
R327	RD356120	CHIP RESISTOR 1/16W	1.2K 63M J RECT.	チ ッ プ 抵 抗		
R328	RD358220	CHIP RESISTOR 1/16W	220.0K 63M J RECT.	チ ッ プ 抵 抗		
R329	RF457180	CHIP RESISTOR 1/16W	18.0K D RECT.	チ ッ プ 抵 抗		
-349	RF457180	CHIP RESISTOR 1/16W	18.0K D RECT.	チ ッ プ 抵 抗		
R355	RD35410R	CHIP RESISTOR 1/16W	10.0 63M J RECT.	チ ッ プ 抵 抗		01
R356	RF457220	CHIP RESISTOR 1/16W	22.0K D RECT.	チ ッ プ 抵 抗		
R357	RF457220	CHIP RESISTOR 1/16W	22.0K D RECT.	チ ッ プ 抵 抗		
R358	RF457120	CHIP RESISTOR 1/16W	12.0K D RECT.	チ ッ プ 抵 抗		
R359	RF457120	CHIP RESISTOR 1/16W	12.0K D RECT.	チ ッ プ 抵 抗		
R360	RD358100	CHIP RESISTOR 1/16W	100.0K 63M J RECT.	チ ッ プ 抵 抗		
R361	RD556100	METAL FILM RESISTOR 1/10W	1.0K 0.1 D RECT.	チ ッ プ 厚 膜 抵 抗		
R362	RD358100	CHIP RESISTOR 1/16W	100.0K 63M J RECT.	チ ッ プ 抵 抗		
R363	RD350001	CHIP RESISTOR 1/16W	0 63M J RECT.	チ ッ プ 抵 抗		01
R405	RD556100	METAL FILM RESISTOR 1/10W	1.0K 0.1 D RECT.	チ ッ プ 厚 膜 抵 抗		
R406	RD357270	CHIP RESISTOR 1/16W	27.0K 63M J RECT.	チ ッ プ 抵 抗		
R407	RF45713R	CHIP RESISTOR 1/16W	13.0K D RECT.	チ ッ プ 抵 抗		01
R408	RF45613R	CHIP RESISTOR 1/16W	1.3K D RECT.	チ ッ プ 抵 抗		01
R409	RD358220	CHIP RESISTOR 1/16W	220.0K 63M J RECT.	チ ッ プ 抵 抗		
R410	RD355680	CHIP RESISTOR 1/16W	680.0 63M J RECT.	チ ッ プ 抵 抗		
R412	RD358100	CHIP RESISTOR 1/16W	100.0K 63M J RECT.	チ ッ プ 抵 抗		
R413	RD355220	CHIP RESISTOR 1/16W	220.0 63M J RECT.	チ ッ プ 抵 抗		
R414	RF457560	CHIP RESISTOR 1/16W	56.0K D RECT.	チ ッ プ 抵 抗		01
R415	RF457470	CHIP RESISTOR 1/16W	47.0K D RECT.	チ ッ プ 抵 抗		
R416	RF456680	CHIP RESISTOR 1/16W	6.8K D RECT.	チ ッ プ 抵 抗		
R417	RF455470	CHIP RESISTOR 1/16W	470.0 D RECT.	チ ッ プ 抵 抗		
R418	RF457470	CHIP RESISTOR 1/16W	47.0K D RECT.	チ ッ プ 抵 抗		
R419	RD358220	CHIP RESISTOR 1/16W	220.0K 63M J RECT.	チ ッ プ 抵 抗		
R420	RD358220	CHIP RESISTOR 1/16W	220.0K 63M J RECT.	チ ッ プ 抵 抗		
R421	RD355220	CHIP RESISTOR 1/16W	220.0 63M J RECT.	チ ッ プ 抵 抗		
R422	RF456680	CHIP RESISTOR 1/16W	6.8K D RECT.	チ ッ プ 抵 抗		
R423	RF457150	CHIP RESISTOR 1/16W	15.0K D 1608	チ ッ プ 抵 抗		01
R424	RD355150	CHIP RESISTOR 1/16W	150.0 63M J RECT.	チ ッ プ 抵 抗		
R425	RD35410R	CHIP RESISTOR 1/16W	10.0 63M J RECT.	チ ッ プ 抵 抗		01
R426	RD357100	CHIP RESISTOR 1/16W	10.0K 63M J RECT.	チ ッ プ 抵 抗		01
R427	RD356120	CHIP RESISTOR 1/16W	1.2K 63M J RECT.	チ ッ プ 抵 抗		
R428	RD358220	CHIP RESISTOR 1/16W	220.0K 63M J RECT.	チ ッ プ 抵 抗		
R429	RD357120	CHIP RESISTOR 1/16W	12.0K 63M J RECT.	チ ッ プ 抵 抗		
R430	RD356150	CHIP RESISTOR 1/16W	1.5K 63M J RECT.	チ ッ プ 抵 抗		
R431	RD355150	CHIP RESISTOR 1/16W	150.0 63M J RECT.	チ ッ プ 抵 抗		
R432	RD35747R	CHIP RESISTOR 1/16W	47.0K 63M J RECT.	チ ッ プ 抵 抗		01
R433	RD35747R	CHIP RESISTOR 1/16W	47.0K 63M J RECT.	チ ッ プ 抵 抗		01
R434	RF457180	CHIP RESISTOR 1/16W	18.0K D RECT.	チ ッ プ 抵 抗		
-454	RF457180	CHIP RESISTOR 1/16W	18.0K D RECT.	チ ッ プ 抵 抗		
R455	RD35410R	CHIP RESISTOR 1/16W	10.0 63M J RECT.	チ ッ プ 抵 抗		01
R456	RF457220	CHIP RESISTOR 1/16W	22.0K D RECT.	チ ッ プ 抵 抗		
R457	RF457220	CHIP RESISTOR 1/16W	22.0K D RECT.	チ ッ プ 抵 抗		
R458	RF457120	CHIP RESISTOR 1/16W	12.0K D RECT.	チ ッ プ 抵 抗		
R459	RF457120	CHIP RESISTOR 1/16W	12.0K D RECT.	チ ッ プ 抵 抗		
R460	RD556100	METAL FILM RESISTOR 1/10W	1.0K 0.1 D RECT.	チ ッ プ 厚 膜 抵 抗		
R461	RD358100	CHIP RESISTOR 1/16W	100.0K 63M J RECT.	チ ッ プ 抵 抗		
R462	RD358100	CHIP RESISTOR 1/16W	100.0K 63M J RECT.	チ ッ プ 抵 抗		
R463	RD350001	CHIP RESISTOR 1/16W	0 63M J RECT.	チ ッ プ 抵 抗		01
R503	RD356120	CHIP RESISTOR 1/16W	1.2K 63M J RECT.	チ ッ プ 抵 抗		
R504	RD357100	CHIP RESISTOR 1/16W	10.0K 63M J RECT.	チ ッ プ 抵 抗		01
R505	RD355150	CHIP RESISTOR 1/16W	150.0 63M J RECT.	チ ッ プ 抵 抗		
R508	RD556100	METAL FILM RESISTOR 1/10W	1.0K 0.1 D RECT.	チ ッ プ 厚 膜 抵 抗		
R509	RD357270	CHIP RESISTOR 1/16W	27.0K 63M J RECT.	チ ッ プ 抵 抗		
R510	RF457150	CHIP RESISTOR 1/16W	15.0K D 1608	チ ッ プ 抵 抗		01
R511	RF456150	CHIP RESISTOR 1/16W	1.5K D RECT.	チ ッ プ 抵 抗		
R512	RD358220	CHIP RESISTOR 1/16W	220.0K 63M J RECT.	チ ッ プ 抵 抗		
R513	RD355680	CHIP RESISTOR 1/16W	680.0 63M J RECT.	チ ッ プ 抵 抗		
R515	RD358100	CHIP RESISTOR 1/16W	100.0K 63M J RECT.	チ ッ プ 抵 抗		
R516	RD355220	CHIP RESISTOR 1/16W	220.0 63M J RECT.	チ ッ プ 抵 抗		
R517	RF457560	CHIP RESISTOR 1/16W	56.0K D RECT.	チ ッ プ 抵 抗		01
R518	RF457470	CHIP RESISTOR 1/16W	47.0K D RECT.	チ ッ プ 抵 抗		
R519	RF456680	CHIP RESISTOR 1/16W	6.8K D RECT.	チ ッ プ 抵 抗		
R520	RF455470	CHIP RESISTOR 1/16W	470.0 D RECT.	チ ッ プ 抵 抗		
R521	RF457470	CHIP RESISTOR 1/16W	47.0K D RECT.	チ ッ プ 抵 抗		
R522	RD358220	CHIP RESISTOR 1/16W	220.0K 63M J RECT.	チ ッ プ 抵 抗		

*: New Parts

RANK: Japan only

IN2

REF NO.	PART NO.	DESCRIPTION		部	品	名	REMARKS	QTY	RANK
R523	RD358220	CHIP RESISTOR 1/16W	220.0K 63M J RECT.	チ	ッ	ブ 抵 抗			
R524	RD355220	CHIP RESISTOR 1/16W	220.0 63M J RECT.	チ	ッ	ブ 抵 抗			
R525	RF456680	CHIP RESISTOR 1/16W	6.8K D RECT.	チ	ッ	ブ 抵 抗			
R526	RF457150	CHIP RESISTOR 1/16W	15.0K D 1608	チ	ッ	ブ 抵 抗			01
R527	RD355150	CHIP RESISTOR 1/16W	150.0 63M J RECT.	チ	ッ	ブ 抵 抗			
R528	RD35410R	CHIP RESISTOR 1/16W	10.0 63M J RECT.	チ	ッ	ブ 抵 抗			01
R529	RD357100	CHIP RESISTOR 1/16W	10.0K 63M J RECT.	チ	ッ	ブ 抵 抗			01
R530	RD356120	CHIP RESISTOR 1/16W	1.2K 63M J RECT.	チ	ッ	ブ 抵 抗			
R531	RD358220	CHIP RESISTOR 1/16W	220.0K 63M J RECT.	チ	ッ	ブ 抵 抗			
R532	RF457180	CHIP RESISTOR 1/16W	18.0K D RECT.	チ	ッ	ブ 抵 抗			
-552	RF457180	CHIP RESISTOR 1/16W	18.0K D RECT.	チ	ッ	ブ 抵 抗			
R555	RD35410R	CHIP RESISTOR 1/16W	10.0 63M J RECT.	チ	ッ	ブ 抵 抗			01
R556	RD457220	CHIP RESISTOR 1/16W	22.0K D RECT.	チ	ッ	ブ 抵 抗			
R557	RF457220	CHIP RESISTOR 1/16W	22.0K D RECT.	チ	ッ	ブ 抵 抗			
R558	RF457120	CHIP RESISTOR 1/16W	12.0K D RECT.	チ	ッ	ブ 抵 抗			
R559	RF457120	CHIP RESISTOR 1/16W	12.0K D RECT.	チ	ッ	ブ 抵 抗			
R560	RD358100	CHIP RESISTOR 1/16W	100.0K 63M J RECT.	チ	ッ	ブ 抵 抗			
R561	RD556100	METAL FILM RESISTOR 1/10W	1.0K 0.1 D RECT.	チ	ッ	ブ 厚 膜 抵 抗			
R562	RD358100	CHIP RESISTOR 1/16W	100.0K 63M J RECT.	チ	ッ	ブ 抵 抗			
R563	RD350001	CHIP RESISTOR 1/16W	0 63M J RECT.	チ	ッ	ブ 抵 抗			01
R605	RD556100	METAL FILM RESISTOR 1/10W	1.0K 0.1 D RECT.	チ	ッ	ブ 厚 膜 抵 抗			
R606	RD357270	CHIP RESISTOR 1/16W	27.0K 63M J RECT.	チ	ッ	ブ 抵 抗			
* R607	RF457160	CHIP RESISTOR 1/16W	16.0K D 1608	チ	ッ	ブ 抵 抗			
R608	RF45616R	CHIP RESISTOR 1/16W	1.6K D RECT.	チ	ッ	ブ 抵 抗			01
R609	RD358220	CHIP RESISTOR 1/16W	220.0K 63M J RECT.	チ	ッ	ブ 抵 抗			
R610	RD355680	CHIP RESISTOR 1/16W	680.0 63M J RECT.	チ	ッ	ブ 抵 抗			
R612	RD358100	CHIP RESISTOR 1/16W	100.0K 63M J RECT.	チ	ッ	ブ 抵 抗			
R613	RD355220	CHIP RESISTOR 1/16W	220.0 63M J RECT.	チ	ッ	ブ 抵 抗			
R614	RF457560	CHIP RESISTOR 1/16W	56.0K D RECT.	チ	ッ	ブ 抵 抗			01
R615	RF457470	CHIP RESISTOR 1/16W	47.0K D RECT.	チ	ッ	ブ 抵 抗			
R616	RF456680	CHIP RESISTOR 1/16W	6.8K D RECT.	チ	ッ	ブ 抵 抗			
R617	RF455470	CHIP RESISTOR 1/16W	470.0 D RECT.	チ	ッ	ブ 抵 抗			
R618	RF457470	CHIP RESISTOR 1/16W	47.0K D RECT.	チ	ッ	ブ 抵 抗			
R619	RD358220	CHIP RESISTOR 1/16W	220.0K 63M J RECT.	チ	ッ	ブ 抵 抗			
R620	RD358220	CHIP RESISTOR 1/16W	220.0K 63M J RECT.	チ	ッ	ブ 抵 抗			
R621	RD355220	CHIP RESISTOR 1/16W	220.0 63M J RECT.	チ	ッ	ブ 抵 抗			
R622	RF456680	CHIP RESISTOR 1/16W	6.8K D RECT.	チ	ッ	ブ 抵 抗			
R623	RF457150	CHIP RESISTOR 1/16W	15.0K D 1608	チ	ッ	ブ 抵 抗			01
R624	RD355150	CHIP RESISTOR 1/16W	150.0 63M J RECT.	チ	ッ	ブ 抵 抗			
R625	RD35410R	CHIP RESISTOR 1/16W	10.0 63M J RECT.	チ	ッ	ブ 抵 抗			01
R626	RD357100	CHIP RESISTOR 1/16W	10.0K 63M J RECT.	チ	ッ	ブ 抵 抗			01
R627	RD356120	CHIP RESISTOR 1/16W	1.2K 63M J RECT.	チ	ッ	ブ 抵 抗			
R628	RD358220	CHIP RESISTOR 1/16W	220.0K 63M J RECT.	チ	ッ	ブ 抵 抗			
R629	RF457180	CHIP RESISTOR 1/16W	18.0K D RECT.	チ	ッ	ブ 抵 抗			
-649	RF457180	CHIP RESISTOR 1/16W	18.0K D RECT.	チ	ッ	ブ 抵 抗			
R655	RD35410R	CHIP RESISTOR 1/16W	10.0 63M J RECT.	チ	ッ	ブ 抵 抗			01
R656	RF457220	CHIP RESISTOR 1/16W	22.0K D RECT.	チ	ッ	ブ 抵 抗			
R657	RF457220	CHIP RESISTOR 1/16W	22.0K D RECT.	チ	ッ	ブ 抵 抗			
R658	RF457120	CHIP RESISTOR 1/16W	12.0K D RECT.	チ	ッ	ブ 抵 抗			
R659	RF457120	CHIP RESISTOR 1/16W	12.0K D RECT.	チ	ッ	ブ 抵 抗			
R660	RD556100	METAL FILM RESISTOR 1/10W	1.0K 0.1 D RECT.	チ	ッ	ブ 厚 膜 抵 抗			
R661	RD358100	CHIP RESISTOR 1/16W	100.0K 63M J RECT.	チ	ッ	ブ 抵 抗			
R662	RD358100	CHIP RESISTOR 1/16W	100.0K 63M J RECT.	チ	ッ	ブ 抵 抗			
R663	RD350001	CHIP RESISTOR 1/16W	0 63M J RECT.	チ	ッ	ブ 抵 抗			01
R705	RD556100	METAL FILM RESISTOR 1/10W	1.0K 0.1 D RECT.	チ	ッ	ブ 厚 膜 抵 抗			
R706	RD357270	CHIP RESISTOR 1/16W	27.0K 63M J RECT.	チ	ッ	ブ 抵 抗			
R707	RF457180	CHIP RESISTOR 1/16W	18.0K D RECT.	チ	ッ	ブ 抵 抗			
R708	RF456180	CHIP RESISTOR 1/16W	1.8K D RECT.	チ	ッ	ブ 抵 抗			
R709	RD358220	CHIP RESISTOR 1/16W	220.0K 63M J RECT.	チ	ッ	ブ 抵 抗			
R710	RD355680	CHIP RESISTOR 1/16W	680.0 63M J RECT.	チ	ッ	ブ 抵 抗			
R712	RD358100	CHIP RESISTOR 1/16W	100.0K 63M J RECT.	チ	ッ	ブ 抵 抗			
R713	RD355220	CHIP RESISTOR 1/16W	220.0 63M J RECT.	チ	ッ	ブ 抵 抗			
R714	RF457560	CHIP RESISTOR 1/16W	56.0K D RECT.	チ	ッ	ブ 抵 抗			01
R715	RF457470	CHIP RESISTOR 1/16W	47.0K D RECT.	チ	ッ	ブ 抵 抗			
R716	RF456680	CHIP RESISTOR 1/16W	6.8K D RECT.	チ	ッ	ブ 抵 抗			
R717	RF455470	CHIP RESISTOR 1/16W	470.0 D RECT.	チ	ッ	ブ 抵 抗			
R718	RF457470	CHIP RESISTOR 1/16W	47.0K D RECT.	チ	ッ	ブ 抵 抗			
R719	RD358220	CHIP RESISTOR 1/16W	220.0K 63M J RECT.	チ	ッ	ブ 抵 抗			
R720	RD358220	CHIP RESISTOR 1/16W	220.0K 63M J RECT.	チ	ッ	ブ 抵 抗			
R721	RD355220	CHIP RESISTOR 1/16W	220.0 63M J RECT.	チ	ッ	ブ 抵 抗			

*: New Parts

RANK: Japan only

IN2

REF NO.	PART NO.	DESCRIPTION		部	品	名	REMARKS	QTY	RANK
R722	RF456680	CHIP RESISTOR 1/16W	6.8K D RECT.	チ	ッ	ブ 抵 抗			
R723	RF457150	CHIP RESISTOR 1/16W	15.0K D 1608	チ	ッ	ブ 抵 抗			01
R724	RD355150	CHIP RESISTOR 1/16W	150.0 63M J RECT.	チ	ッ	ブ 抵 抗			
R725	RD35410R	CHIP RESISTOR 1/16W	10.0 63M J RECT.	チ	ッ	ブ 抵 抗			01
R726	RD357100	CHIP RESISTOR 1/16W	10.0K 63M J RECT.	チ	ッ	ブ 抵 抗			01
R727	RD356120	CHIP RESISTOR 1/16W	1.2K 63M J RECT.	チ	ッ	ブ 抵 抗			
R728	RD358220	CHIP RESISTOR 1/16W	220.0K 63M J RECT.	チ	ッ	ブ 抵 抗			
R729	RF457180	CHIP RESISTOR 1/16W	18.0K D RECT.	チ	ッ	ブ 抵 抗			
-749	RF457180	CHIP RESISTOR 1/16W	18.0K D RECT.	チ	ッ	ブ 抵 抗			
R755	RD35410R	CHIP RESISTOR 1/16W	10.0 63M J RECT.	チ	ッ	ブ 抵 抗			01
R756	RF457220	CHIP RESISTOR 1/16W	22.0K D RECT.	チ	ッ	ブ 抵 抗			
R757	RF457220	CHIP RESISTOR 1/16W	22.0K D RECT.	チ	ッ	ブ 抵 抗			
R758	RF457120	CHIP RESISTOR 1/16W	12.0K D RECT.	チ	ッ	ブ 抵 抗			
R759	RF457120	CHIP RESISTOR 1/16W	12.0K D RECT.	チ	ッ	ブ 抵 抗			
R760	RD358100	CHIP RESISTOR 1/16W	100.0K 63M J RECT.	チ	ッ	ブ 抵 抗			
R761	RD556100	METAL FILM RESISTOR 1/10W	1.0K 0.1 D RECT.	チ	ッ	ブ 厚 膜 抵 抗			
R762	RD358100	CHIP RESISTOR 1/16W	100.0K 63M J RECT.	チ	ッ	ブ 抵 抗			
R763	RD350001	CHIP RESISTOR 1/16W	0 63M J RECT.	チ	ッ	ブ 抵 抗			01
R805	RD556100	METAL FILM RESISTOR 1/10W	1.0K 0.1 D RECT.	チ	ッ	ブ 厚 膜 抵 抗			
R806	RD357270	CHIP RESISTOR 1/16W	27.0K 63M J RECT.	チ	ッ	ブ 抵 抗			
R807	RF45720R	CHIP RESISTOR 1/16W	20.0K D RECT.	チ	ッ	ブ 抵 抗			01
R808	RF456200	CHIP RESISTOR 1/16W	2.0K D RECT.	チ	ッ	ブ 抵 抗			01
R809	RD358220	CHIP RESISTOR 1/16W	220.0K 63M J RECT.	チ	ッ	ブ 抵 抗			
R810	RD355680	CHIP RESISTOR 1/16W	680.0 63M J RECT.	チ	ッ	ブ 抵 抗			
R812	RD358100	CHIP RESISTOR 1/16W	100.0K 63M J RECT.	チ	ッ	ブ 抵 抗			
R813	RD355220	CHIP RESISTOR 1/16W	220.0 63M J RECT.	チ	ッ	ブ 抵 抗			
R814	RF457560	CHIP RESISTOR 1/16W	56.0K D RECT.	チ	ッ	ブ 抵 抗			01
R815	RF457470	CHIP RESISTOR 1/16W	47.0K D RECT.	チ	ッ	ブ 抵 抗			
R816	RF456680	CHIP RESISTOR 1/16W	6.8K D RECT.	チ	ッ	ブ 抵 抗			
R817	RF455470	CHIP RESISTOR 1/16W	470.0 D RECT.	チ	ッ	ブ 抵 抗			
R818	RF457470	CHIP RESISTOR 1/16W	47.0K D RECT.	チ	ッ	ブ 抵 抗			
R819	RD358220	CHIP RESISTOR 1/16W	220.0K 63M J RECT.	チ	ッ	ブ 抵 抗			
R820	RD358220	CHIP RESISTOR 1/16W	220.0K 63M J RECT.	チ	ッ	ブ 抵 抗			
R821	RD355220	CHIP RESISTOR 1/16W	220.0 63M J RECT.	チ	ッ	ブ 抵 抗			
R822	RF456680	CHIP RESISTOR 1/16W	6.8K D RECT.	チ	ッ	ブ 抵 抗			
R823	RF457150	CHIP RESISTOR 1/16W	15.0K D 1608	チ	ッ	ブ 抵 抗			01
R824	RD355150	CHIP RESISTOR 1/16W	150.0 63M J RECT.	チ	ッ	ブ 抵 抗			
R825	RD35410R	CHIP RESISTOR 1/16W	10.0 63M J RECT.	チ	ッ	ブ 抵 抗			01
R826	RD357100	CHIP RESISTOR 1/16W	10.0K 63M J RECT.	チ	ッ	ブ 抵 抗			01
R827	RD356120	CHIP RESISTOR 1/16W	1.2K 63M J RECT.	チ	ッ	ブ 抵 抗			
R828	RD358220	CHIP RESISTOR 1/16W	220.0K 63M J RECT.	チ	ッ	ブ 抵 抗			
R829	RD357120	CHIP RESISTOR 1/16W	12.0K 63M J RECT.	チ	ッ	ブ 抵 抗			
R830	RD356150	CHIP RESISTOR 1/16W	1.5K 63M J RECT.	チ	ッ	ブ 抵 抗			
R831	RD355150	CHIP RESISTOR 1/16W	150.0 63M J RECT.	チ	ッ	ブ 抵 抗			
R832	RD35747R	CHIP RESISTOR 1/16W	47.0K 63M J RECT.	チ	ッ	ブ 抵 抗			01
R833	RD35747R	CHIP RESISTOR 1/16W	47.0K 63M J RECT.	チ	ッ	ブ 抵 抗			01
R834	RF457180	CHIP RESISTOR 1/16W	18.0K D RECT.	チ	ッ	ブ 抵 抗			
-854	RF457180	CHIP RESISTOR 1/16W	18.0K D RECT.	チ	ッ	ブ 抵 抗			
R855	RD35410R	CHIP RESISTOR 1/16W	10.0 63M J RECT.	チ	ッ	ブ 抵 抗			01
R856	RF457220	CHIP RESISTOR 1/16W	22.0K D RECT.	チ	ッ	ブ 抵 抗			
R857	RF457220	CHIP RESISTOR 1/16W	22.0K D RECT.	チ	ッ	ブ 抵 抗			
R858	RF457120	CHIP RESISTOR 1/16W	12.0K D RECT.	チ	ッ	ブ 抵 抗			
R859	RF457120	CHIP RESISTOR 1/16W	12.0K D RECT.	チ	ッ	ブ 抵 抗			
R860	RD556100	METAL FILM RESISTOR 1/10W	1.0K 0.1 D RECT.	チ	ッ	ブ 厚 膜 抵 抗			
R861	RD358100	CHIP RESISTOR 1/16W	100.0K 63M J RECT.	チ	ッ	ブ 抵 抗			
R862	RD358100	CHIP RESISTOR 1/16W	100.0K 63M J RECT.	チ	ッ	ブ 抵 抗			
R863	RD350001	CHIP RESISTOR 1/16W	0 63M J RECT.	チ	ッ	ブ 抵 抗			01
SW101	WH918700	PUSH SWITCH	PS-22E85L-02	ブ	ッ	シ ュ S W	MUTE 1		01
SW102	WH918700	PUSH SWITCH	PS-22E85L-02	ブ	ッ	シ ュ S W	MUTE 2		01
SW103	WH918700	PUSH SWITCH	PS-22E85L-02	ブ	ッ	シ ュ S W	MUTE 3		01
SW104	WH918700	PUSH SWITCH	PS-22E85L-02	ブ	ッ	シ ュ S W	MUTE 4		01
SW105	WH918700	PUSH SWITCH	PS-22E85L-02	ブ	ッ	シ ュ S W	AUX 1-2 PRE		01
SW106	WH918700	PUSH SWITCH	PS-22E85L-02	ブ	ッ	シ ュ S W	AUX 3-4 PRE		01
SW107	WH918700	PUSH SWITCH	PS-22E85L-02	ブ	ッ	シ ュ S W	AUX 5-6 PRE		01
SW108	WH918700	PUSH SWITCH	PS-22E85L-02	ブ	ッ	シ ュ S W	AUX 7-8 PRE		01
SW109	WH918700	PUSH SWITCH	PS-22E85L-02	ブ	ッ	シ ュ S W	MONO		01
SW110	WH918700	PUSH SWITCH	PS-22E85L-02	ブ	ッ	シ ュ S W	PEL		01
SW111	WH918700	PUSH SWITCH	PS-22E85L-02	ブ	ッ	シ ュ S W	1-2		01
SW112	WH918700	PUSH SWITCH	PS-22E85L-02	ブ	ッ	シ ュ S W	3-4		01
SW113	WH918700	PUSH SWITCH	PS-22E85L-02	ブ	ッ	シ ュ S W	5-6		01

*: New Parts

RANK: Japan only

IN2

REF NO.	PART NO.	DESCRIPTION		部 品 名	REMARKS	QTY	RANK
SW604	WH918700	PUSH SWITCH	PS-22E85L-02	ブ ッ シ ュ S W	MUTE 4		01
SW605	WH918700	PUSH SWITCH	PS-22E85L-02	ブ ッ シ ュ S W	AUX 1-2 PRE		01
SW606	WH918700	PUSH SWITCH	PS-22E85L-02	ブ ッ シ ュ S W	AUX 3-4 PRE		01
SW607	WH918700	PUSH SWITCH	PS-22E85L-02	ブ ッ シ ュ S W	AUX 5-6 PRE		01
SW608	WH918700	PUSH SWITCH	PS-22E85L-02	ブ ッ シ ュ S W	AUX 7-8 PRE		01
SW609	WH918700	PUSH SWITCH	PS-22E85L-02	ブ ッ シ ュ S W	MONO		01
SW610	WH918700	PUSH SWITCH	PS-22E85L-02	ブ ッ シ ュ S W	PEL		01
SW611	WH918700	PUSH SWITCH	PS-22E85L-02	ブ ッ シ ュ S W	1-2		01
SW612	WH918700	PUSH SWITCH	PS-22E85L-02	ブ ッ シ ュ S W	3-4		01
SW613	WH918700	PUSH SWITCH	PS-22E85L-02	ブ ッ シ ュ S W	5-6		01
SW614	WH918700	PUSH SWITCH	PS-22E85L-02	ブ ッ シ ュ S W	7-8		01
SW615	WH918700	PUSH SWITCH	PS-22E85L-02	ブ ッ シ ュ S W	ST		01
SW616	WH918700	PUSH SWITCH	PS-22E85L-02	ブ ッ シ ュ S W	ON		01
SW701	WH918700	PUSH SWITCH	PS-22E85L-02	ブ ッ シ ュ S W	MUTE 1		01
SW702	WH918700	PUSH SWITCH	PS-22E85L-02	ブ ッ シ ュ S W	MUTE 2		01
SW703	WH918700	PUSH SWITCH	PS-22E85L-02	ブ ッ シ ュ S W	MUTE 3		01
SW704	WH918700	PUSH SWITCH	PS-22E85L-02	ブ ッ シ ュ S W	MUTE 4		01
SW705	WH918700	PUSH SWITCH	PS-22E85L-02	ブ ッ シ ュ S W	AUX 1-2 PRE		01
SW706	WH918700	PUSH SWITCH	PS-22E85L-02	ブ ッ シ ュ S W	AUX 3-4 PRE		01
SW707	WH918700	PUSH SWITCH	PS-22E85L-02	ブ ッ シ ュ S W	AUX 5-6 PRE		01
SW708	WH918700	PUSH SWITCH	PS-22E85L-02	ブ ッ シ ュ S W	AUX 7-8 PRE		01
SW709	WH918700	PUSH SWITCH	PS-22E85L-02	ブ ッ シ ュ S W	MONO		01
SW710	WH918700	PUSH SWITCH	PS-22E85L-02	ブ ッ シ ュ S W	PEL		01
SW711	WH918700	PUSH SWITCH	PS-22E85L-02	ブ ッ シ ュ S W	1-2		01
SW712	WH918700	PUSH SWITCH	PS-22E85L-02	ブ ッ シ ュ S W	3-4		01
SW713	WH918700	PUSH SWITCH	PS-22E85L-02	ブ ッ シ ュ S W	5-6		01
SW714	WH918700	PUSH SWITCH	PS-22E85L-02	ブ ッ シ ュ S W	7-8		01
SW715	WH918700	PUSH SWITCH	PS-22E85L-02	ブ ッ シ ュ S W	ST		01
SW716	WH918700	PUSH SWITCH	PS-22E85L-02	ブ ッ シ ュ S W	ON		01
SW801	WH918700	PUSH SWITCH	PS-22E85L-02	ブ ッ シ ュ S W	MUTE 1		01
SW802	WH918700	PUSH SWITCH	PS-22E85L-02	ブ ッ シ ュ S W	MUTE 2		01
SW803	WH918700	PUSH SWITCH	PS-22E85L-02	ブ ッ シ ュ S W	MUTE 3		01
SW804	WH918700	PUSH SWITCH	PS-22E85L-02	ブ ッ シ ュ S W	MUTE 4		01
SW805	WH918700	PUSH SWITCH	PS-22E85L-02	ブ ッ シ ュ S W	AUX 1-2 PRE		01
SW806	WH918700	PUSH SWITCH	PS-22E85L-02	ブ ッ シ ュ S W	AUX 3-4 PRE		01
SW807	WH918700	PUSH SWITCH	PS-22E85L-02	ブ ッ シ ュ S W	AUX 5-6 PRE		01
SW808	WH918700	PUSH SWITCH	PS-22E85L-02	ブ ッ シ ュ S W	AUX 7-8 PRE		01
SW809	WH918700	PUSH SWITCH	PS-22E85L-02	ブ ッ シ ュ S W	MONO		01
SW810	WH918700	PUSH SWITCH	PS-22E85L-02	ブ ッ シ ュ S W	PEL		01
SW811	WH918700	PUSH SWITCH	PS-22E85L-02	ブ ッ シ ュ S W	1-2		01
SW812	WH918700	PUSH SWITCH	PS-22E85L-02	ブ ッ シ ュ S W	3-4		01
SW813	WH918700	PUSH SWITCH	PS-22E85L-02	ブ ッ シ ュ S W	5-6		01
SW814	WH918700	PUSH SWITCH	PS-22E85L-02	ブ ッ シ ュ S W	7-8		01
SW815	WH918700	PUSH SWITCH	PS-22E85L-02	ブ ッ シ ュ S W	ST		01
SW816	WH918700	PUSH SWITCH	PS-22E85L-02	ブ ッ シ ュ S W	ON		01
* VR101	WM452700	SLIDE VARIABLE RESISTOR	D 10.0K XVJ100NPV1	ス ラ イ ド V R	CH LEVEL		
VR102	V979100R	ROTARY VARIABLE RESISTOR	B 20.0K XV09213YNP	ロ ー タ リ ー V R	AUX 1		
VR103	V979100R	ROTARY VARIABLE RESISTOR	B 20.0K XV09213YNP	ロ ー タ リ ー V R	AUX 2		
VR104	V979100R	ROTARY VARIABLE RESISTOR	B 20.0K XV09213YNP	ロ ー タ リ ー V R	AUX 3		
VR105	V979100R	ROTARY VARIABLE RESISTOR	B 20.0K XV09213YNP	ロ ー タ リ ー V R	AUX 4		
VR106	V979100R	ROTARY VARIABLE RESISTOR	B 20.0K XV09213YNP	ロ ー タ リ ー V R	AUX 5		
VR107	V979100R	ROTARY VARIABLE RESISTOR	B 20.0K XV09213YNP	ロ ー タ リ ー V R	AUX 6		
VR108	V979100R	ROTARY VARIABLE RESISTOR	B 20.0K XV09213YNP	ロ ー タ リ ー V R	AUX 7		
VR109	V979100R	ROTARY VARIABLE RESISTOR	B 20.0K XV09213YNP	ロ ー タ リ ー V R	AUX 8		
VR110	V988610R	ROTARY VARIABLE RESISTOR	15A15C C20K XV0123	2 連 ロ ー タ リ ー V R	} PAN		04
* VR110	WN157700	ROTARY VARIABLE RESISTOR	15A15C C20K XV0123	2 連 ロ ー タ リ ー V R	} PAN		
* VR201	WM452700	SLIDE VARIABLE RESISTOR	D 10.0K XVJ100NPV1	ス ラ イ ド V R	CH LEVEL		
VR202	V979100R	ROTARY VARIABLE RESISTOR	B 20.0K XV09213YNP	ロ ー タ リ ー V R	AUX 1		
VR203	V979100R	ROTARY VARIABLE RESISTOR	B 20.0K XV09213YNP	ロ ー タ リ ー V R	AUX 2		
VR204	V979100R	ROTARY VARIABLE RESISTOR	B 20.0K XV09213YNP	ロ ー タ リ ー V R	AUX 3		
VR205	V979100R	ROTARY VARIABLE RESISTOR	B 20.0K XV09213YNP	ロ ー タ リ ー V R	AUX 4		
VR206	V979100R	ROTARY VARIABLE RESISTOR	B 20.0K XV09213YNP	ロ ー タ リ ー V R	AUX 5		
VR207	V979100R	ROTARY VARIABLE RESISTOR	B 20.0K XV09213YNP	ロ ー タ リ ー V R	AUX 6		
VR208	V979100R	ROTARY VARIABLE RESISTOR	B 20.0K XV09213YNP	ロ ー タ リ ー V R	AUX 7		
VR209	V979100R	ROTARY VARIABLE RESISTOR	B 20.0K XV09213YNP	ロ ー タ リ ー V R	AUX 8		
VR210	V988610R	ROTARY VARIABLE RESISTOR	15A15C C20K XV0123	2 連 ロ ー タ リ ー V R	} PAN		04
* VR210	WN157700	ROTARY VARIABLE RESISTOR	15A15C C20K XV0123	2 連 ロ ー タ リ ー V R	} PAN		
* VR301	WM452700	SLIDE VARIABLE RESISTOR	D 10.0K XVJ100NPV1	ス ラ イ ド V R	CH LEVEL		
VR302	V979100R	ROTARY VARIABLE RESISTOR	B 20.0K XV09213YNP	ロ ー タ リ ー V R	AUX 1		
VR303	V979100R	ROTARY VARIABLE RESISTOR	B 20.0K XV09213YNP	ロ ー タ リ ー V R	AUX 2		

*: New Parts

RANK: Japan only

IN2 and INJK

REF NO.	PART NO.	DESCRIPTION	部 品 名	REMARKS	QTY	RANK
VR304	V979100R	ROTARY VARIABLE RESISTOR	B 20.0K XV09213YNP	□ - タ リ - V R	AUX 3	
VR305	V979100R	ROTARY VARIABLE RESISTOR	B 20.0K XV09213YNP	□ - タ リ - V R	AUX 4	
VR306	V979100R	ROTARY VARIABLE RESISTOR	B 20.0K XV09213YNP	□ - タ リ - V R	AUX 5	
VR307	V979100R	ROTARY VARIABLE RESISTOR	B 20.0K XV09213YNP	□ - タ リ - V R	AUX 6	
VR308	V979100R	ROTARY VARIABLE RESISTOR	B 20.0K XV09213YNP	□ - タ リ - V R	AUX 7	
VR309	V979100R	ROTARY VARIABLE RESISTOR	B 20.0K XV09213YNP	□ - タ リ - V R	AUX 8	
VR310	V988610R	ROTARY VARIABLE RESISTOR	15A15C C20K XV0123	2 連 □ - タ リ - V R	} PAN	04
VR310	WN157700	ROTARY VARIABLE RESISTOR	15A15C C20K XV0123	2 連 □ - タ リ - V R		
VR401	WM452700	SLIDE VARIABLE RESISTOR	D 10.0K XVJ100NPV1	ス ラ イ ド V R	CH LEVEL	
VR402	V979100R	ROTARY VARIABLE RESISTOR	B 20.0K XV09213YNP	□ - タ リ - V R	AUX 1	
VR403	V979100R	ROTARY VARIABLE RESISTOR	B 20.0K XV09213YNP	□ - タ リ - V R	AUX 2	
VR404	V979100R	ROTARY VARIABLE RESISTOR	B 20.0K XV09213YNP	□ - タ リ - V R	AUX 3	
VR405	V979100R	ROTARY VARIABLE RESISTOR	B 20.0K XV09213YNP	□ - タ リ - V R	AUX 4	
VR406	V979100R	ROTARY VARIABLE RESISTOR	B 20.0K XV09213YNP	□ - タ リ - V R	AUX 5	
VR407	V979100R	ROTARY VARIABLE RESISTOR	B 20.0K XV09213YNP	□ - タ リ - V R	AUX 6	
VR408	V979100R	ROTARY VARIABLE RESISTOR	B 20.0K XV09213YNP	□ - タ リ - V R	AUX 7	
VR409	V979100R	ROTARY VARIABLE RESISTOR	B 20.0K XV09213YNP	□ - タ リ - V R	AUX 8	
VR410	V988610R	ROTARY VARIABLE RESISTOR	15A15C C20K XV0123	2 連 □ - タ リ - V R	} PAN	04
VR410	WN157700	ROTARY VARIABLE RESISTOR	15A15C C20K XV0123	2 連 □ - タ リ - V R		
VR501	WM452700	SLIDE VARIABLE RESISTOR	D 10.0K XVJ100NPV1	ス ラ イ ド V R	CH LEVEL	
VR502	V979100R	ROTARY VARIABLE RESISTOR	B 20.0K XV09213YNP	□ - タ リ - V R	AUX 1	
VR503	V979100R	ROTARY VARIABLE RESISTOR	B 20.0K XV09213YNP	□ - タ リ - V R	AUX 2	
VR504	V979100R	ROTARY VARIABLE RESISTOR	B 20.0K XV09213YNP	□ - タ リ - V R	AUX 3	
VR505	V979100R	ROTARY VARIABLE RESISTOR	B 20.0K XV09213YNP	□ - タ リ - V R	AUX 4	
VR506	V979100R	ROTARY VARIABLE RESISTOR	B 20.0K XV09213YNP	□ - タ リ - V R	AUX 5	
VR507	V979100R	ROTARY VARIABLE RESISTOR	B 20.0K XV09213YNP	□ - タ リ - V R	AUX 6	
VR508	V979100R	ROTARY VARIABLE RESISTOR	B 20.0K XV09213YNP	□ - タ リ - V R	AUX 7	
VR509	V979100R	ROTARY VARIABLE RESISTOR	B 20.0K XV09213YNP	□ - タ リ - V R	AUX 8	
VR510	V988610R	ROTARY VARIABLE RESISTOR	15A15C C20K XV0123	2 連 □ - タ リ - V R	} PAN	04
VR510	WN157700	ROTARY VARIABLE RESISTOR	15A15C C20K XV0123	2 連 □ - タ リ - V R		
VR601	WM452700	SLIDE VARIABLE RESISTOR	D 10.0K XVJ100NPV1	ス ラ イ ド V R	CH LEVEL	
VR602	V979100R	ROTARY VARIABLE RESISTOR	B 20.0K XV09213YNP	□ - タ リ - V R	AUX 1	
VR603	V979100R	ROTARY VARIABLE RESISTOR	B 20.0K XV09213YNP	□ - タ リ - V R	AUX 2	
VR604	V979100R	ROTARY VARIABLE RESISTOR	B 20.0K XV09213YNP	□ - タ リ - V R	AUX 3	
VR605	V979100R	ROTARY VARIABLE RESISTOR	B 20.0K XV09213YNP	□ - タ リ - V R	AUX 4	
VR606	V979100R	ROTARY VARIABLE RESISTOR	B 20.0K XV09213YNP	□ - タ リ - V R	AUX 5	
VR607	V979100R	ROTARY VARIABLE RESISTOR	B 20.0K XV09213YNP	□ - タ リ - V R	AUX 6	
VR608	V979100R	ROTARY VARIABLE RESISTOR	B 20.0K XV09213YNP	□ - タ リ - V R	AUX 7	
VR609	V979100R	ROTARY VARIABLE RESISTOR	B 20.0K XV09213YNP	□ - タ リ - V R	AUX 8	
VR610	V988610R	ROTARY VARIABLE RESISTOR	15A15C C20K XV0123	2 連 □ - タ リ - V R	} PAN	04
VR610	WN157700	ROTARY VARIABLE RESISTOR	15A15C C20K XV0123	2 連 □ - タ リ - V R		
VR701	WM452700	SLIDE VARIABLE RESISTOR	D 10.0K XVJ100NPV1	ス ラ イ ド V R	CH LEVEL	
VR702	V979100R	ROTARY VARIABLE RESISTOR	B 20.0K XV09213YNP	□ - タ リ - V R	AUX 1	
VR703	V979100R	ROTARY VARIABLE RESISTOR	B 20.0K XV09213YNP	□ - タ リ - V R	AUX 2	
VR704	V979100R	ROTARY VARIABLE RESISTOR	B 20.0K XV09213YNP	□ - タ リ - V R	AUX 3	
VR705	V979100R	ROTARY VARIABLE RESISTOR	B 20.0K XV09213YNP	□ - タ リ - V R	AUX 4	
VR706	V979100R	ROTARY VARIABLE RESISTOR	B 20.0K XV09213YNP	□ - タ リ - V R	AUX 5	
VR707	V979100R	ROTARY VARIABLE RESISTOR	B 20.0K XV09213YNP	□ - タ リ - V R	AUX 6	
VR708	V979100R	ROTARY VARIABLE RESISTOR	B 20.0K XV09213YNP	□ - タ リ - V R	AUX 7	
VR709	V979100R	ROTARY VARIABLE RESISTOR	B 20.0K XV09213YNP	□ - タ リ - V R	AUX 8	
VR710	V988610R	ROTARY VARIABLE RESISTOR	15A15C C20K XV0123	2 連 □ - タ リ - V R	} PAN	04
VR710	WN157700	ROTARY VARIABLE RESISTOR	15A15C C20K XV0123	2 連 □ - タ リ - V R		
VR801	WM452700	SLIDE VARIABLE RESISTOR	D 10.0K XVJ100NPV1	ス ラ イ ド V R	CH LEVEL	
VR802	V979100R	ROTARY VARIABLE RESISTOR	B 20.0K XV09213YNP	□ - タ リ - V R	AUX 1	
VR803	V979100R	ROTARY VARIABLE RESISTOR	B 20.0K XV09213YNP	□ - タ リ - V R	AUX 2	
VR804	V979100R	ROTARY VARIABLE RESISTOR	B 20.0K XV09213YNP	□ - タ リ - V R	AUX 3	
VR805	V979100R	ROTARY VARIABLE RESISTOR	B 20.0K XV09213YNP	□ - タ リ - V R	AUX 4	
VR806	V979100R	ROTARY VARIABLE RESISTOR	B 20.0K XV09213YNP	□ - タ リ - V R	AUX 5	
VR807	V979100R	ROTARY VARIABLE RESISTOR	B 20.0K XV09213YNP	□ - タ リ - V R	AUX 6	
VR808	V979100R	ROTARY VARIABLE RESISTOR	B 20.0K XV09213YNP	□ - タ リ - V R	AUX 7	
VR809	V979100R	ROTARY VARIABLE RESISTOR	B 20.0K XV09213YNP	□ - タ リ - V R	AUX 8	
VR810	V988610R	ROTARY VARIABLE RESISTOR	15A15C C20K XV0123	2 連 □ - タ リ - V R	} PAN	04
VR810	WN157700	ROTARY VARIABLE RESISTOR	15A15C C20K XV0123	2 連 □ - タ リ - V R		
	WJ985600	CIRCUIT BOARD	INJK	I N J K シ ー ト	(X8656B0)	
C101	US062470	CERAMIC CAPACITOR-SL (CHIP)	470P 50V J RECT.	チ ッ プ セ ラ (S L)		01
-105	US062470	CERAMIC CAPACITOR-SL (CHIP)	470P 50V J RECT.	チ ッ プ セ ラ (S L)		01
C106	UR877470	ELECTROLYTIC CAPACITOR	47.00 63.0V RX TP	ケ ミ コ ン		
C107	WH167700	ELECTROLYTIC CAPACITOR	10.00 50.0V TATETP	ケ ミ コ ン		01
C108	WH167700	ELECTROLYTIC CAPACITOR	10.00 50.0V TATETP	ケ ミ コ ン		01

*: New Parts

RANK: Japan only

INJK

REF NO.	PART NO.	DESCRIPTION	部 品 名	REMARKS	QTY	RANK
C109	US062470	CERAMIC CAPACITOR-SL (CHIP)	470P 50V J RECT.	チップセラ (S L)		01
C110	US062470	CERAMIC CAPACITOR-SL (CHIP)	470P 50V J RECT.	チップセラ (S L)		01
C201	US062470	CERAMIC CAPACITOR-SL (CHIP)	470P 50V J RECT.	チップセラ (S L)		01
-205	US062470	CERAMIC CAPACITOR-SL (CHIP)	470P 50V J RECT.	チップセラ (S L)		01
C206	UR877470	ELECTROLYTIC CAPACITOR	47.00 63.0V RX TP	ケ ミ コ ン		
C207	WH167700	ELECTROLYTIC CAPACITOR	10.00 50.0V TATETP	ケ ミ コ ン		01
C208	WH167700	ELECTROLYTIC CAPACITOR	10.00 50.0V TATETP	ケ ミ コ ン		01
C209	US062470	CERAMIC CAPACITOR-SL (CHIP)	470P 50V J RECT.	チップセラ (S L)		01
C210	US062470	CERAMIC CAPACITOR-SL (CHIP)	470P 50V J RECT.	チップセラ (S L)		01
C301	US062470	CERAMIC CAPACITOR-SL (CHIP)	470P 50V J RECT.	チップセラ (S L)		01
-305	US062470	CERAMIC CAPACITOR-SL (CHIP)	470P 50V J RECT.	チップセラ (S L)		01
C306	UR877470	ELECTROLYTIC CAPACITOR	47.00 63.0V RX TP	ケ ミ コ ン		
C307	WH167700	ELECTROLYTIC CAPACITOR	10.00 50.0V TATETP	ケ ミ コ ン		01
C308	WH167700	ELECTROLYTIC CAPACITOR	10.00 50.0V TATETP	ケ ミ コ ン		01
C309	US062470	CERAMIC CAPACITOR-SL (CHIP)	470P 50V J RECT.	チップセラ (S L)		01
C310	US062470	CERAMIC CAPACITOR-SL (CHIP)	470P 50V J RECT.	チップセラ (S L)		01
C401	US062470	CERAMIC CAPACITOR-SL (CHIP)	470P 50V J RECT.	チップセラ (S L)		01
-405	US062470	CERAMIC CAPACITOR-SL (CHIP)	470P 50V J RECT.	チップセラ (S L)		01
C406	UR877470	ELECTROLYTIC CAPACITOR	47.00 63.0V RX TP	ケ ミ コ ン		
C407	WH167700	ELECTROLYTIC CAPACITOR	10.00 50.0V TATETP	ケ ミ コ ン		01
C408	WH167700	ELECTROLYTIC CAPACITOR	10.00 50.0V TATETP	ケ ミ コ ン		01
C409	US062470	CERAMIC CAPACITOR-SL (CHIP)	470P 50V J RECT.	チップセラ (S L)		01
C410	US062470	CERAMIC CAPACITOR-SL (CHIP)	470P 50V J RECT.	チップセラ (S L)		01
C501	US062470	CERAMIC CAPACITOR-SL (CHIP)	470P 50V J RECT.	チップセラ (S L)		01
-505	US062470	CERAMIC CAPACITOR-SL (CHIP)	470P 50V J RECT.	チップセラ (S L)		01
C506	UR877470	ELECTROLYTIC CAPACITOR	47.00 63.0V RX TP	ケ ミ コ ン		
C507	WH167700	ELECTROLYTIC CAPACITOR	10.00 50.0V TATETP	ケ ミ コ ン		01
C508	WH167700	ELECTROLYTIC CAPACITOR	10.00 50.0V TATETP	ケ ミ コ ン		01
C509	US062470	CERAMIC CAPACITOR-SL (CHIP)	470P 50V J RECT.	チップセラ (S L)		01
C510	US062470	CERAMIC CAPACITOR-SL (CHIP)	470P 50V J RECT.	チップセラ (S L)		01
C601	US062470	CERAMIC CAPACITOR-SL (CHIP)	470P 50V J RECT.	チップセラ (S L)		01
-605	US062470	CERAMIC CAPACITOR-SL (CHIP)	470P 50V J RECT.	チップセラ (S L)		01
C606	UR877470	ELECTROLYTIC CAPACITOR	47.00 63.0V RX TP	ケ ミ コ ン		
C607	WH167700	ELECTROLYTIC CAPACITOR	10.00 50.0V TATETP	ケ ミ コ ン		01
C608	WH167700	ELECTROLYTIC CAPACITOR	10.00 50.0V TATETP	ケ ミ コ ン		01
C609	US062470	CERAMIC CAPACITOR-SL (CHIP)	470P 50V J RECT.	チップセラ (S L)		01
C610	US062470	CERAMIC CAPACITOR-SL (CHIP)	470P 50V J RECT.	チップセラ (S L)		01
C701	US062470	CERAMIC CAPACITOR-SL (CHIP)	470P 50V J RECT.	チップセラ (S L)		01
-705	US062470	CERAMIC CAPACITOR-SL (CHIP)	470P 50V J RECT.	チップセラ (S L)		01
C706	UR877470	ELECTROLYTIC CAPACITOR	47.00 63.0V RX TP	ケ ミ コ ン		
C707	WH167700	ELECTROLYTIC CAPACITOR	10.00 50.0V TATETP	ケ ミ コ ン		01
C708	WH167700	ELECTROLYTIC CAPACITOR	10.00 50.0V TATETP	ケ ミ コ ン		01
C709	US062470	CERAMIC CAPACITOR-SL (CHIP)	470P 50V J RECT.	チップセラ (S L)		01
C710	US062470	CERAMIC CAPACITOR-SL (CHIP)	470P 50V J RECT.	チップセラ (S L)		01
C801	US062470	CERAMIC CAPACITOR-SL (CHIP)	470P 50V J RECT.	チップセラ (S L)		01
-805	US062470	CERAMIC CAPACITOR-SL (CHIP)	470P 50V J RECT.	チップセラ (S L)		01
C806	UR877470	ELECTROLYTIC CAPACITOR	47.00 63.0V RX TP	ケ ミ コ ン		
C807	WH167700	ELECTROLYTIC CAPACITOR	10.00 50.0V TATETP	ケ ミ コ ン		01
C808	WH167700	ELECTROLYTIC CAPACITOR	10.00 50.0V TATETP	ケ ミ コ ン		01
C809	US062470	CERAMIC CAPACITOR-SL (CHIP)	470P 50V J RECT.	チップセラ (S L)		01
C810	US062470	CERAMIC CAPACITOR-SL (CHIP)	470P 50V J RECT.	チップセラ (S L)		01
CN101	VB85880R	CONNECTOR BASE POST, SIDE	PH 9P SE	ベ ー ス ポ ス ト		01
CN201	VB85880R	CONNECTOR BASE POST, SIDE	PH 9P SE	ベ ー ス ポ ス ト		01
CN301	VB85880R	CONNECTOR BASE POST, SIDE	PH 9P SE	ベ ー ス ポ ス ト		01
CN401	VB85880R	CONNECTOR BASE POST, SIDE	PH 9P SE	ベ ー ス ポ ス ト		01
CN501	VB85880R	CONNECTOR BASE POST, SIDE	PH 9P SE	ベ ー ス ポ ス ト		01
CN601	VB85880R	CONNECTOR BASE POST, SIDE	PH 9P SE	ベ ー ス ポ ス ト		01
CN701	VB85880R	CONNECTOR BASE POST, SIDE	PH 9P SE	ベ ー ス ポ ス ト		01
CN801	VB85880R	CONNECTOR BASE POST, SIDE	PH 9P SE	ベ ー ス ポ ス ト		01
JK101	WG848700	CANNON CONNECTOR	JACK NC3FAAV2-0-Y	キャノンコネクタ	CH 1 INPUT A	03
JK102	WH975400	PHONE JACK BLUE	ST MSJ-064-30A BL	ホ ー ン コ ネ ク タ	CH 1 INPUT B	02
JK103	WH919000	PHONE JACK	ST MSJ-064-30B B	ホ ー ン コ ネ ク タ	INSERT I/O	01
JK104	WH919000	PHONE JACK	ST MSJ-064-30B B	ホ ー ン コ ネ ク タ	DIRECT OUT	01
JK201	WG848700	CANNON CONNECTOR	JACK NC3FAAV2-0-Y	キャノンコネクタ	CH 2 INPUT A	03
JK202	WH975400	PHONE JACK BLUE	ST MSJ-064-30A BL	ホ ー ン コ ネ ク タ	CH 2 INPUT B	02
JK203	WH919000	PHONE JACK	ST MSJ-064-30B B	ホ ー ン コ ネ ク タ	INSERT I/O	01
JK204	WH919000	PHONE JACK	ST MSJ-064-30B B	ホ ー ン コ ネ ク タ	DIRECT OUT	01
JK301	WG848700	CANNON CONNECTOR	JACK NC3FAAV2-0-Y	キャノンコネクタ	CH 3 INPUT A	03
JK302	WH975400	PHONE JACK BLUE	ST MSJ-064-30A BL	ホ ー ン コ ネ ク タ	CH 3 INPUT B	02
JK303	WH919000	PHONE JACK	ST MSJ-064-30B B	ホ ー ン コ ネ ク タ	INSERT I/O	01

*: New Parts

RANK: Japan only

INJK

REF NO.	PART NO.	DESCRIPTION	部 品 名	REMARKS	QTY	RANK
JK304	WH919000	PHONE JACK	ST MSJ-064-30B B	ホ ー ン コ ネ ク タ	DIRECT OUT	01
JK401	WG848700	CANNON CONNECTOR	JACK NC3FAAV2-0-Y	キ ャ ノ ン コ ネ ク タ	CH 4 INPUT A	03
JK402	WH975400	PHONE JACK BLUE	ST MSJ-064-30A BL	ホ ー ン コ ネ ク タ	CH 4 INPUT B	02
JK403	WH919000	PHONE JACK	ST MSJ-064-30B B	ホ ー ン コ ネ ク タ	INSERT I/O	01
JK404	WH919000	PHONE JACK	ST MSJ-064-30B B	ホ ー ン コ ネ ク タ	DIRECT OUT	01
JK501	WG848700	CANNON CONNECTOR	JACK NC3FAAV2-0-Y	キ ャ ノ ン コ ネ ク タ	CH 5 INPUT A	03
JK502	WH975400	PHONE JACK BLUE	ST MSJ-064-30A BL	ホ ー ン コ ネ ク タ	CH 5 INPUT B	02
JK503	WH919000	PHONE JACK	ST MSJ-064-30B B	ホ ー ン コ ネ ク タ	INSERT I/O	01
JK504	WH919000	PHONE JACK	ST MSJ-064-30B B	ホ ー ン コ ネ ク タ	DIRECT OUT	01
JK601	WG848700	CANNON CONNECTOR	JACK NC3FAAV2-0-Y	キ ャ ノ ン コ ネ ク タ	CH 6 INPUT A	03
JK602	WH975400	PHONE JACK BLUE	ST MSJ-064-30A BL	ホ ー ン コ ネ ク タ	CH 6 INPUT B	02
JK603	WH919000	PHONE JACK	ST MSJ-064-30B B	ホ ー ン コ ネ ク タ	INSERT I/O	01
JK604	WH919000	PHONE JACK	ST MSJ-064-30B B	ホ ー ン コ ネ ク タ	DIRECT OUT	01
JK701	WG848700	CANNON CONNECTOR	JACK NC3FAAV2-0-Y	キ ャ ノ ン コ ネ ク タ	CH 7 INPUT A	03
JK702	WH975400	PHONE JACK BLUE	ST MSJ-064-30A BL	ホ ー ン コ ネ ク タ	CH 7 INPUT B	02
JK703	WH919000	PHONE JACK	ST MSJ-064-30B B	ホ ー ン コ ネ ク タ	INSERT I/O	01
JK704	WH919000	PHONE JACK	ST MSJ-064-30B B	ホ ー ン コ ネ ク タ	DIRECT OUT	01
JK801	WG848700	CANNON CONNECTOR	JACK NC3FAAV2-0-Y	キ ャ ノ ン コ ネ ク タ	CH 8 INPUT A	03
JK802	WH975400	PHONE JACK BLUE	ST MSJ-064-30A BL	ホ ー ン コ ネ ク タ	CH 8 INPUT B	02
JK803	WH919000	PHONE JACK	ST MSJ-064-30B B	ホ ー ン コ ネ ク タ	INSERT I/O	01
JK804	WH919000	PHONE JACK	ST MSJ-064-30B B	ホ ー ン コ ネ ク タ	DIRECT OUT	01
R101	RF458150	CHIP RESISTOR 1/16W	150.0K D RECT.	チ ッ プ 抵 抗		01
R102	HB02668R	METAL FILM RESISTOR 1/4W	6.8K 1/4 F AX TP	金 属 被 膜 抵 抗		01
R103	RF458100	CHIP RESISTOR 1/16W	100.0K D RECT.	チ ッ プ 抵 抗		
R104	RF457100	CHIP RESISTOR 1/16W	10.0K D RECT.	チ ッ プ 抵 抗		
R105	RF454750	CHIP RESISTOR 1/16W	75.0 D RECT.	チ ッ プ 抵 抗		
R106	HB02668R	METAL FILM RESISTOR 1/4W	6.8K 1/4 F AX TP	金 属 被 膜 抵 抗		01
R107	RF458100	CHIP RESISTOR 1/16W	100.0K D RECT.	チ ッ プ 抵 抗		
R108	RF454750	CHIP RESISTOR 1/16W	75.0 D RECT.	チ ッ プ 抵 抗		
R109	HV755390	FLAME PROOF C. RESISTOR	390.0 1/4 J RX TP	不 燃 化 カ ー ボ ン 抵 抗		
R110	RF454750	CHIP RESISTOR 1/16W	75.0 D RECT.	チ ッ プ 抵 抗		
R201	RF458150	CHIP RESISTOR 1/16W	150.0K D RECT.	チ ッ プ 抵 抗		01
R202	HB02668R	METAL FILM RESISTOR 1/4W	6.8K 1/4 F AX TP	金 属 被 膜 抵 抗		01
R203	RF458100	CHIP RESISTOR 1/16W	100.0K D RECT.	チ ッ プ 抵 抗		
R204	RF457100	CHIP RESISTOR 1/16W	10.0K D RECT.	チ ッ プ 抵 抗		
R205	RF454750	CHIP RESISTOR 1/16W	75.0 D RECT.	チ ッ プ 抵 抗		
R206	HB02668R	METAL FILM RESISTOR 1/4W	6.8K 1/4 F AX TP	金 属 被 膜 抵 抗		01
R207	RF458100	CHIP RESISTOR 1/16W	100.0K D RECT.	チ ッ プ 抵 抗		
R208	RF454750	CHIP RESISTOR 1/16W	75.0 D RECT.	チ ッ プ 抵 抗		
R209	HV755390	FLAME PROOF C. RESISTOR	390.0 1/4 J RX TP	不 燃 化 カ ー ボ ン 抵 抗		
R210	RF454750	CHIP RESISTOR 1/16W	75.0 D RECT.	チ ッ プ 抵 抗		
R301	RF458150	CHIP RESISTOR 1/16W	150.0K D RECT.	チ ッ プ 抵 抗		01
R302	HB02668R	METAL FILM RESISTOR 1/4W	6.8K 1/4 F AX TP	金 属 被 膜 抵 抗		01
R303	RF458100	CHIP RESISTOR 1/16W	100.0K D RECT.	チ ッ プ 抵 抗		
R304	RF457100	CHIP RESISTOR 1/16W	10.0K D RECT.	チ ッ プ 抵 抗		
R305	RF454750	CHIP RESISTOR 1/16W	75.0 D RECT.	チ ッ プ 抵 抗		
R306	HB02668R	METAL FILM RESISTOR 1/4W	6.8K 1/4 F AX TP	金 属 被 膜 抵 抗		01
R307	RF458100	CHIP RESISTOR 1/16W	100.0K D RECT.	チ ッ プ 抵 抗		
R308	RF454750	CHIP RESISTOR 1/16W	75.0 D RECT.	チ ッ プ 抵 抗		
R309	HV755390	FLAME PROOF C. RESISTOR	390.0 1/4 J RX TP	不 燃 化 カ ー ボ ン 抵 抗		
R310	RF454750	CHIP RESISTOR 1/16W	75.0 D RECT.	チ ッ プ 抵 抗		
R401	RF458150	CHIP RESISTOR 1/16W	150.0K D RECT.	チ ッ プ 抵 抗		01
R402	HB02668R	METAL FILM RESISTOR 1/4W	6.8K 1/4 F AX TP	金 属 被 膜 抵 抗		01
R403	RF458100	CHIP RESISTOR 1/16W	100.0K D RECT.	チ ッ プ 抵 抗		
R404	RF457100	CHIP RESISTOR 1/16W	10.0K D RECT.	チ ッ プ 抵 抗		
R405	RF454750	CHIP RESISTOR 1/16W	75.0 D RECT.	チ ッ プ 抵 抗		
R406	HB02668R	METAL FILM RESISTOR 1/4W	6.8K 1/4 F AX TP	金 属 被 膜 抵 抗		01
R407	RF458100	CHIP RESISTOR 1/16W	100.0K D RECT.	チ ッ プ 抵 抗		
R408	RF454750	CHIP RESISTOR 1/16W	75.0 D RECT.	チ ッ プ 抵 抗		
R409	HV755390	FLAME PROOF C. RESISTOR	390.0 1/4 J RX TP	不 燃 化 カ ー ボ ン 抵 抗		
R410	RF454750	CHIP RESISTOR 1/16W	75.0 D RECT.	チ ッ プ 抵 抗		
R501	RF458150	CHIP RESISTOR 1/16W	150.0K D RECT.	チ ッ プ 抵 抗		01
R502	HB02668R	METAL FILM RESISTOR 1/4W	6.8K 1/4 F AX TP	金 属 被 膜 抵 抗		01
R503	RF458100	CHIP RESISTOR 1/16W	100.0K D RECT.	チ ッ プ 抵 抗		
R504	RF457100	CHIP RESISTOR 1/16W	10.0K D RECT.	チ ッ プ 抵 抗		
R505	RF454750	CHIP RESISTOR 1/16W	75.0 D RECT.	チ ッ プ 抵 抗		
R506	HB02668R	METAL FILM RESISTOR 1/4W	6.8K 1/4 F AX TP	金 属 被 膜 抵 抗		01
R507	RF458100	CHIP RESISTOR 1/16W	100.0K D RECT.	チ ッ プ 抵 抗		
R508	RF454750	CHIP RESISTOR 1/16W	75.0 D RECT.	チ ッ プ 抵 抗		
R509	HV755390	FLAME PROOF C. RESISTOR	390.0 1/4 J RX TP	不 燃 化 カ ー ボ ン 抵 抗		

*: New Parts

RANK: Japan only

INJK and LAMP and MAS1

REF NO.	PART NO.	DESCRIPTION		部 品 名	REMARKS	QTY	RANK
R510	RF454750	CHIP RESISTOR 1/16W	75.0 D RECT.	チ ッ プ 抵 抗			
R601	RF458150	CHIP RESISTOR 1/16W	150.0K D RECT.	チ ッ プ 抵 抗			01
R602	HB02668R	METAL FILM RESISTOR 1/4W	6.8K 1/4 F AX TP	金 属 被 膜 抵 抗			01
R603	RF458100	CHIP RESISTOR 1/16W	100.0K D RECT.	チ ッ プ 抵 抗			
R604	RF457100	CHIP RESISTOR 1/16W	10.0K D RECT.	チ ッ プ 抵 抗			
R605	RF454750	CHIP RESISTOR 1/16W	75.0 D RECT.	チ ッ プ 抵 抗			
R606	HB02668R	METAL FILM RESISTOR 1/4W	6.8K 1/4 F AX TP	金 属 被 膜 抵 抗			01
R607	RF458100	CHIP RESISTOR 1/16W	100.0K D RECT.	チ ッ プ 抵 抗			
R608	RF454750	CHIP RESISTOR 1/16W	75.0 D RECT.	チ ッ プ 抵 抗			
R609	HV755390	FLAME PROOF C. RESISTOR	390.0 1/4 J RX TP	不 燃 化 カ ー ボ ン 抵 抗			
R610	RF454750	CHIP RESISTOR 1/16W	75.0 D RECT.	チ ッ プ 抵 抗			
R701	RF458150	CHIP RESISTOR 1/16W	150.0K D RECT.	チ ッ プ 抵 抗			01
R702	HB02668R	METAL FILM RESISTOR 1/4W	6.8K 1/4 F AX TP	金 属 被 膜 抵 抗			01
R703	RF458100	CHIP RESISTOR 1/16W	100.0K D RECT.	チ ッ プ 抵 抗			
R704	RF457100	CHIP RESISTOR 1/16W	10.0K D RECT.	チ ッ プ 抵 抗			
R705	RF454750	CHIP RESISTOR 1/16W	75.0 D RECT.	チ ッ プ 抵 抗			
R706	HB02668R	METAL FILM RESISTOR 1/4W	6.8K 1/4 F AX TP	金 属 被 膜 抵 抗			01
R707	RF458100	CHIP RESISTOR 1/16W	100.0K D RECT.	チ ッ プ 抵 抗			
R708	RF454750	CHIP RESISTOR 1/16W	75.0 D RECT.	チ ッ プ 抵 抗			
R709	HV755390	FLAME PROOF C. RESISTOR	390.0 1/4 J RX TP	不 燃 化 カ ー ボ ン 抵 抗			
R710	RF454750	CHIP RESISTOR 1/16W	75.0 D RECT.	チ ッ プ 抵 抗			
R801	RF458150	CHIP RESISTOR 1/16W	150.0K D RECT.	チ ッ プ 抵 抗			01
R802	HB02668R	METAL FILM RESISTOR 1/4W	6.8K 1/4 F AX TP	金 属 被 膜 抵 抗			01
R803	RF458100	CHIP RESISTOR 1/16W	100.0K D RECT.	チ ッ プ 抵 抗			
R804	RF457100	CHIP RESISTOR 1/16W	10.0K D RECT.	チ ッ プ 抵 抗			
R805	RF454750	CHIP RESISTOR 1/16W	75.0 D RECT.	チ ッ プ 抵 抗			
R806	HB02668R	METAL FILM RESISTOR 1/4W	6.8K 1/4 F AX TP	金 属 被 膜 抵 抗			01
R807	RF458100	CHIP RESISTOR 1/16W	100.0K D RECT.	チ ッ プ 抵 抗			
R808	RF454750	CHIP RESISTOR 1/16W	75.0 D RECT.	チ ッ プ 抵 抗			
R809	HV755390	FLAME PROOF C. RESISTOR	390.0 1/4 J RX TP	不 燃 化 カ ー ボ ン 抵 抗			
R810	RF454750	CHIP RESISTOR 1/16W	75.0 D RECT.	チ ッ プ 抵 抗			
* C1	WK601500	CIRCUIT BOARD	LAMP	L A M P シ ー ト	(WK60160)(X8968B0)		
	VF611200	CERAMIC CAPACITOR	0.100 50V Z RX TP	積 層 セ ラ コ ン			02
	CN1	CONNECTOR BASE POST, TOP	PH 2P TE	ベ ー ス ポ ス ト			01
* JK1	WK624400	CANNON CONNECTOR	JACK NC4FAH	キャノンコネクタ	LAMP 12V		
	TH1	CIRCUIT PROTECTOR	RUEF090-AP 0.9A30V	ボ リ ス イ ッ チ			
* C101	WJ986300	CIRCUIT BOARD	MAS1	M A S 1 シ ー ト	(X8663C0)		
	US062100	CERAMIC CAPACITOR-SL (CHIP)	100P 50V J RECT.	チ ッ プ セ ラ (S L)			
-104	US062100	CERAMIC CAPACITOR-SL (CHIP)	100P 50V J RECT.	チ ッ プ セ ラ (S L)			
C105	US064100	CERAMIC CAPACITOR-B (CHIP)	0.0100 50V K RECT.	チ ッ プ セ ラ (B)			
-108	US064100	CERAMIC CAPACITOR-B (CHIP)	0.0100 50V K RECT.	チ ッ プ セ ラ (B)			
C109	US061470	CERAMIC CAPACITOR-CH (CHIP)	47P 50V J RECT.	チ ッ プ セ ラ (C H)			
-112	US061470	CERAMIC CAPACITOR-CH (CHIP)	47P 50V J RECT.	チ ッ プ セ ラ (C H)			
C113	UR867100	ELECTROLYTIC CAPACITOR	10.00 50.0V RX TP	ケ ミ コ ン			
C114	US064100	CERAMIC CAPACITOR-B (CHIP)	0.0100 50V K RECT.	チ ッ プ セ ラ (B)			
C115	UR867100	ELECTROLYTIC CAPACITOR	10.00 50.0V RX TP	ケ ミ コ ン			
-117	UR867100	ELECTROLYTIC CAPACITOR	10.00 50.0V RX TP	ケ ミ コ ン			
C118	US064100	CERAMIC CAPACITOR-B (CHIP)	0.0100 50V K RECT.	チ ッ プ セ ラ (B)			
-120	US064100	CERAMIC CAPACITOR-B (CHIP)	0.0100 50V K RECT.	チ ッ プ セ ラ (B)			
C125	US062100	CERAMIC CAPACITOR-SL (CHIP)	100P 50V J RECT.	チ ッ プ セ ラ (S L)			
-128	US062100	CERAMIC CAPACITOR-SL (CHIP)	100P 50V J RECT.	チ ッ プ セ ラ (S L)			
C129	US061100	CERAMIC CAPACITOR-CH (CHIP)	10P 50V D RECT.	チ ッ プ セ ラ (C H)			
-132	US061100	CERAMIC CAPACITOR-CH (CHIP)	10P 50V D RECT.	チ ッ プ セ ラ (C H)			
C133	UR858100	ELECTROLYTIC CAPACITOR	100.00 35.0V RX TP	ケ ミ コ ン			
-136	UR858100	ELECTROLYTIC CAPACITOR	100.00 35.0V RX TP	ケ ミ コ ン			
C137	US063100	CERAMIC CAPACITOR-B (CHIP)	1000P 50V K RECT.	チ ッ プ セ ラ (B)			
-140	US063100	CERAMIC CAPACITOR-B (CHIP)	1000P 50V K RECT.	チ ッ プ セ ラ (B)			
C301	UR857470	ELECTROLYTIC CAPACITOR	47.00 35.0V RX TP	ケ ミ コ ン			
C302	UR857470	ELECTROLYTIC CAPACITOR	47.00 35.0V RX TP	ケ ミ コ ン			
C303	US063100	CERAMIC CAPACITOR-B (CHIP)	1000P 50V K RECT.	チ ッ プ セ ラ (B)			
C304	US062100	CERAMIC CAPACITOR-SL (CHIP)	100P 50V J RECT.	チ ッ プ セ ラ (S L)			
C305	US062100	CERAMIC CAPACITOR-SL (CHIP)	100P 50V J RECT.	チ ッ プ セ ラ (S L)			
C306	UR867100	ELECTROLYTIC CAPACITOR	10.00 50.0V RX TP	ケ ミ コ ン			
C307	US061220	CERAMIC CAPACITOR-CH (CHIP)	22P 50V J RECT.	チ ッ プ セ ラ (C H)			
C308	US061220	CERAMIC CAPACITOR-CH (CHIP)	22P 50V J RECT.	チ ッ プ セ ラ (C H)			
C309	US064100	CERAMIC CAPACITOR-B (CHIP)	0.0100 50V K RECT.	チ ッ プ セ ラ (B)			
C310	US064100	CERAMIC CAPACITOR-B (CHIP)	0.0100 50V K RECT.	チ ッ プ セ ラ (B)			
C311	US062100	CERAMIC CAPACITOR-SL (CHIP)	100P 50V J RECT.	チ ッ プ セ ラ (S L)			

*: New Parts

RANK: Japan only

MAS1

REF NO.	PART NO.	DESCRIPTION	部 品 名	REMARKS	QTY	RANK
C312	US063100	CERAMIC CAPACITOR-B (CHIP)	1000P 50V K RECT.	チ ッ プ セ ラ (B)		
C313	US064100	CERAMIC CAPACITOR-B (CHIP)	0.0100 50V K RECT.	チ ッ プ セ ラ (B)		
C314	US064100	CERAMIC CAPACITOR-B (CHIP)	0.0100 50V K RECT.	チ ッ プ セ ラ (B)		
C315	US061470	CERAMIC CAPACITOR-CH (CHIP)	47P 50V J RECT.	チ ッ プ セ ラ (C H)		
C316	US061470	CERAMIC CAPACITOR-CH (CHIP)	47P 50V J RECT.	チ ッ プ セ ラ (C H)		
C317	UR867100	ELECTROLYTIC CAPACITOR	10.00 50.0V RX TP	ケ ミ コ ン		
C318	US061470	CERAMIC CAPACITOR-CH (CHIP)	47P 50V J RECT.	チ ッ プ セ ラ (C H)		
C319	US061470	CERAMIC CAPACITOR-CH (CHIP)	47P 50V J RECT.	チ ッ プ セ ラ (C H)		
C320	US064100	CERAMIC CAPACITOR-B (CHIP)	0.0100 50V K RECT.	チ ッ プ セ ラ (B)		
C321	US064100	CERAMIC CAPACITOR-B (CHIP)	0.0100 50V K RECT.	チ ッ プ セ ラ (B)		
C322	US06168R	CERAMIC CAPACITOR-SL (CHIP)	68P 50V J RECT.	チ ッ プ セ ラ (S L)		01
C323	US06168R	CERAMIC CAPACITOR-SL (CHIP)	68P 50V J RECT.	チ ッ プ セ ラ (S L)		01
C324	US061470	CERAMIC CAPACITOR-CH (CHIP)	47P 50V J RECT.	チ ッ プ セ ラ (C H)		
C325	US064100	CERAMIC CAPACITOR-B (CHIP)	0.0100 50V K RECT.	チ ッ プ セ ラ (B)		
C326	US061470	CERAMIC CAPACITOR-CH (CHIP)	47P 50V J RECT.	チ ッ プ セ ラ (C H)		
C327	US061470	CERAMIC CAPACITOR-CH (CHIP)	47P 50V J RECT.	チ ッ プ セ ラ (C H)		
C328	US063100	CERAMIC CAPACITOR-B (CHIP)	1000P 50V K RECT.	チ ッ プ セ ラ (B)		
C329	US064100	CERAMIC CAPACITOR-B (CHIP)	0.0100 50V K RECT.	チ ッ プ セ ラ (B)		
C330	UR857470	ELECTROLYTIC CAPACITOR	47.00 35.0V RX TP	ケ ミ コ ン		
C331	UR857470	ELECTROLYTIC CAPACITOR	47.00 35.0V RX TP	ケ ミ コ ン		
C332	US064100	CERAMIC CAPACITOR-B (CHIP)	0.0100 50V K RECT.	チ ッ プ セ ラ (B)		
C333	US064100	CERAMIC CAPACITOR-B (CHIP)	0.0100 50V K RECT.	チ ッ プ セ ラ (B)		
C334	UR857470	ELECTROLYTIC CAPACITOR	47.00 35.0V RX TP	ケ ミ コ ン		
-336	UR857470	ELECTROLYTIC CAPACITOR	47.00 35.0V RX TP	ケ ミ コ ン		
C337	US063100	CERAMIC CAPACITOR-B (CHIP)	1000P 50V K RECT.	チ ッ プ セ ラ (B)		
C338	UR867100	ELECTROLYTIC CAPACITOR	10.00 50.0V RX TP	ケ ミ コ ン		
C339	UR867100	ELECTROLYTIC CAPACITOR	10.00 50.0V RX TP	ケ ミ コ ン		
C340	US064100	CERAMIC CAPACITOR-B (CHIP)	0.0100 50V K RECT.	チ ッ プ セ ラ (B)		
C341	US062100	CERAMIC CAPACITOR-SL (CHIP)	100P 50V J RECT.	チ ッ プ セ ラ (S L)		
C342	UR867100	ELECTROLYTIC CAPACITOR	10.00 50.0V RX TP	ケ ミ コ ン		
-345	UR867100	ELECTROLYTIC CAPACITOR	10.00 50.0V RX TP	ケ ミ コ ン		
C346	US061470	CERAMIC CAPACITOR-CH (CHIP)	47P 50V J RECT.	チ ッ プ セ ラ (C H)		
C347	US064100	CERAMIC CAPACITOR-B (CHIP)	0.0100 50V K RECT.	チ ッ プ セ ラ (B)		
C348	UR867100	ELECTROLYTIC CAPACITOR	10.00 50.0V RX TP	ケ ミ コ ン		
C349	US062100	CERAMIC CAPACITOR-SL (CHIP)	100P 50V J RECT.	チ ッ プ セ ラ (S L)		
C350	US062100	CERAMIC CAPACITOR-SL (CHIP)	100P 50V J RECT.	チ ッ プ セ ラ (S L)		
C351	UR857470	ELECTROLYTIC CAPACITOR	47.00 35.0V RX TP	ケ ミ コ ン		
C352	US06168R	CERAMIC CAPACITOR-SL (CHIP)	68P 50V J RECT.	チ ッ プ セ ラ (S L)		01
C353	US06168R	CERAMIC CAPACITOR-SL (CHIP)	68P 50V J RECT.	チ ッ プ セ ラ (S L)		01
C354	UR857470	ELECTROLYTIC CAPACITOR	47.00 35.0V RX TP	ケ ミ コ ン		
-356	UR857470	ELECTROLYTIC CAPACITOR	47.00 35.0V RX TP	ケ ミ コ ン		
C357	UR858100	ELECTROLYTIC CAPACITOR	100.00 35.0V RX TP	ケ ミ コ ン		
C358	UR858100	ELECTROLYTIC CAPACITOR	100.00 35.0V RX TP	ケ ミ コ ン		
C359	UR857470	ELECTROLYTIC CAPACITOR	47.00 35.0V RX TP	ケ ミ コ ン		
C360	US061470	CERAMIC CAPACITOR-CH (CHIP)	47P 50V J RECT.	チ ッ プ セ ラ (C H)		
-363	US061470	CERAMIC CAPACITOR-CH (CHIP)	47P 50V J RECT.	チ ッ プ セ ラ (C H)		
C364	US065100	CERAMIC CAPACITOR-F (CHIP)	0.100 50V Z RECT.	チ ッ プ セ ラ F		
-367	US065100	CERAMIC CAPACITOR-F (CHIP)	0.100 50V Z RECT.	チ ッ プ セ ラ F		
C405	UR867100	ELECTROLYTIC CAPACITOR	10.00 50.0V RX TP	ケ ミ コ ン		
-408	UR867100	ELECTROLYTIC CAPACITOR	10.00 50.0V RX TP	ケ ミ コ ン		
C409	US064100	CERAMIC CAPACITOR-B (CHIP)	0.0100 50V K RECT.	チ ッ プ セ ラ (B)		
C410	US064100	CERAMIC CAPACITOR-B (CHIP)	0.0100 50V K RECT.	チ ッ プ セ ラ (B)		
C411	US062100	CERAMIC CAPACITOR-SL (CHIP)	100P 50V J RECT.	チ ッ プ セ ラ (S L)		
-414	US062100	CERAMIC CAPACITOR-SL (CHIP)	100P 50V J RECT.	チ ッ プ セ ラ (S L)		
C415	US06168R	CERAMIC CAPACITOR-SL (CHIP)	68P 50V J RECT.	チ ッ プ セ ラ (S L)		01
-418	US06168R	CERAMIC CAPACITOR-SL (CHIP)	68P 50V J RECT.	チ ッ プ セ ラ (S L)		01
C419	US064100	CERAMIC CAPACITOR-B (CHIP)	0.0100 50V K RECT.	チ ッ プ セ ラ (B)		
C420	US064100	CERAMIC CAPACITOR-B (CHIP)	0.0100 50V K RECT.	チ ッ プ セ ラ (B)		
C421	US063100	CERAMIC CAPACITOR-B (CHIP)	1000P 50V K RECT.	チ ッ プ セ ラ (B)		
C422	US063100	CERAMIC CAPACITOR-B (CHIP)	1000P 50V K RECT.	チ ッ プ セ ラ (B)		
C423	UR857470	ELECTROLYTIC CAPACITOR	47.00 35.0V RX TP	ケ ミ コ ン		
-426	UR857470	ELECTROLYTIC CAPACITOR	47.00 35.0V RX TP	ケ ミ コ ン		
C427	US064100	CERAMIC CAPACITOR-B (CHIP)	0.0100 50V K RECT.	チ ッ プ セ ラ (B)		
C428	US064100	CERAMIC CAPACITOR-B (CHIP)	0.0100 50V K RECT.	チ ッ プ セ ラ (B)		
C429	UR867100	ELECTROLYTIC CAPACITOR	10.00 50.0V RX TP	ケ ミ コ ン		
-432	UR867100	ELECTROLYTIC CAPACITOR	10.00 50.0V RX TP	ケ ミ コ ン		
C433	US062100	CERAMIC CAPACITOR-SL (CHIP)	100P 50V J RECT.	チ ッ プ セ ラ (S L)		
-436	US062100	CERAMIC CAPACITOR-SL (CHIP)	100P 50V J RECT.	チ ッ プ セ ラ (S L)		
C437	US064100	CERAMIC CAPACITOR-B (CHIP)	0.0100 50V K RECT.	チ ッ プ セ ラ (B)		
C438	US064100	CERAMIC CAPACITOR-B (CHIP)	0.0100 50V K RECT.	チ ッ プ セ ラ (B)		

*: New Parts

RANK: Japan only

MAS1

REF NO.	PART NO.	DESCRIPTION	部 品 名	REMARKS	QTY	RANK
C439	US06168R	CERAMIC CAPACITOR-SL (CHIP)	68P 50V J RECT.	チ ッ プ セ ラ (S L)		01
-442	US06168R	CERAMIC CAPACITOR-SL (CHIP)	68P 50V J RECT.	チ ッ プ セ ラ (S L)		01
C443	UR838100	ELECTROLYTIC CAPACITOR	100.00 16.0V RX TP	ケ ミ コ ン		
-446	UR838100	ELECTROLYTIC CAPACITOR	100.00 16.0V RX TP	ケ ミ コ ン		
C505	UR867100	ELECTROLYTIC CAPACITOR	10.00 50.0V RX TP	ケ ミ コ ン		
-508	UR867100	ELECTROLYTIC CAPACITOR	10.00 50.0V RX TP	ケ ミ コ ン		
C509	US064100	CERAMIC CAPACITOR-B (CHIP)	0.0100 50V K RECT.	チ ッ プ セ ラ (B)		
C510	US064100	CERAMIC CAPACITOR-B (CHIP)	0.0100 50V K RECT.	チ ッ プ セ ラ (B)		
C511	US062100	CERAMIC CAPACITOR-SL (CHIP)	100P 50V J RECT.	チ ッ プ セ ラ (S L)		
-514	US062100	CERAMIC CAPACITOR-SL (CHIP)	100P 50V J RECT.	チ ッ プ セ ラ (S L)		
C515	US06168R	CERAMIC CAPACITOR-SL (CHIP)	68P 50V J RECT.	チ ッ プ セ ラ (S L)		01
-518	US06168R	CERAMIC CAPACITOR-SL (CHIP)	68P 50V J RECT.	チ ッ プ セ ラ (S L)		01
C519	US064100	CERAMIC CAPACITOR-B (CHIP)	0.0100 50V K RECT.	チ ッ プ セ ラ (B)		
C520	US064100	CERAMIC CAPACITOR-B (CHIP)	0.0100 50V K RECT.	チ ッ プ セ ラ (B)		
C521	US063100	CERAMIC CAPACITOR-B (CHIP)	1000P 50V K RECT.	チ ッ プ セ ラ (B)		
C522	US063100	CERAMIC CAPACITOR-B (CHIP)	1000P 50V K RECT.	チ ッ プ セ ラ (B)		
C523	UR857470	ELECTROLYTIC CAPACITOR	47.00 35.0V RX TP	ケ ミ コ ン		
-526	UR857470	ELECTROLYTIC CAPACITOR	47.00 35.0V RX TP	ケ ミ コ ン		
C527	US064100	CERAMIC CAPACITOR-B (CHIP)	0.0100 50V K RECT.	チ ッ プ セ ラ (B)		
C528	US064100	CERAMIC CAPACITOR-B (CHIP)	0.0100 50V K RECT.	チ ッ プ セ ラ (B)		
C529	UR867100	ELECTROLYTIC CAPACITOR	10.00 50.0V RX TP	ケ ミ コ ン		
-532	UR867100	ELECTROLYTIC CAPACITOR	10.00 50.0V RX TP	ケ ミ コ ン		
C533	US062100	CERAMIC CAPACITOR-SL (CHIP)	100P 50V J RECT.	チ ッ プ セ ラ (S L)		
-536	US062100	CERAMIC CAPACITOR-SL (CHIP)	100P 50V J RECT.	チ ッ プ セ ラ (S L)		
C537	US064100	CERAMIC CAPACITOR-B (CHIP)	0.0100 50V K RECT.	チ ッ プ セ ラ (B)		
C538	US064100	CERAMIC CAPACITOR-B (CHIP)	0.0100 50V K RECT.	チ ッ プ セ ラ (B)		
C539	US06168R	CERAMIC CAPACITOR-SL (CHIP)	68P 50V J RECT.	チ ッ プ セ ラ (S L)		01
-542	US06168R	CERAMIC CAPACITOR-SL (CHIP)	68P 50V J RECT.	チ ッ プ セ ラ (S L)		01
C543	UR838100	ELECTROLYTIC CAPACITOR	100.00 16.0V RX TP	ケ ミ コ ン		
-546	UR838100	ELECTROLYTIC CAPACITOR	100.00 16.0V RX TP	ケ ミ コ ン		
CN001	VB390200	CONNECTOR BASE POST, TOP	PH 6P TE	ベ ー ス ポ ス ト		01
CN002	VB39080R	CONNECTOR BASE POST, TOP	PH 12P TE	ベ ー ス ポ ス ト		01
CN003	VB39070R	CONNECTOR BASE POST, TOP	PH 11P TE	ベ ー ス ポ ス ト		01
CN004	VB390500	CONNECTOR BASE POST, TOP	PH 9P TE	ベ ー ス ポ ス ト		
CN005	VB39000R	CONNECTOR BASE POST, TOP	PH 4P TE	ベ ー ス ポ ス ト		01
CN006	VB38990R	CONNECTOR BASE POST, TOP	PH 3P TE	ベ ー ス ポ ス ト		01
CN007	VB39030R	CONNECTOR BASE POST, TOP	PH 7P TE	ベ ー ス ポ ス ト		01
CN101	VB390500	CONNECTOR BASE POST, TOP	PH 9P TE	ベ ー ス ポ ス ト		
CN102	VB39040R	CONNECTOR BASE POST, TOP	PH 8P TE	ベ ー ス ポ ス ト		01
CN103	VB39040R	CONNECTOR BASE POST, TOP	PH 8P TE	ベ ー ス ポ ス ト		01
CN301	VB39070R	CONNECTOR BASE POST, TOP	PH 11P TE	ベ ー ス ポ ス ト		01
CN302	VB390200	CONNECTOR BASE POST, TOP	PH 6P TE	ベ ー ス ポ ス ト		01
CN303	VB38980R	CONNECTOR BASE POST, TOP	PH 2P TE	ベ ー ス ポ ス ト		01
CN304	VB39000R	CONNECTOR BASE POST, TOP	PH 4P TE	ベ ー ス ポ ス ト		01
CN401	VB39080R	CONNECTOR BASE POST, TOP	PH 12P TE	ベ ー ス ポ ス ト		01
D101	VT332900	DIODE	1SS355 TE-17 TP	ダ イ オ ー ド		
D301	VT332900	DIODE	1SS355 TE-17 TP	ダ イ オ ー ド		
-303	VT332900	DIODE	1SS355 TE-17 TP	ダ イ オ ー ド		
D501	VT332900	DIODE	1SS355 TE-17 TP	ダ イ オ ー ド		
IC101	X3505A00	IC	NJM2068M-D(Te2)	I C	OP AMP	
-104	X3505A00	IC	NJM2068M-D(Te2)	I C	OP AMP	
IC301	X3505A00	IC	NJM2068M-D(Te2)	I C	OP AMP	
-306	X3505A00	IC	NJM2068M-D(Te2)	I C	OP AMP	
IC401	X3505A00	IC	NJM2068M-D(Te2)	I C	OP AMP	
-404	X3505A00	IC	NJM2068M-D(Te2)	I C	OP AMP	
IC501	X3505A00	IC	NJM2068M-D(Te2)	I C	OP AMP	
-504	X3505A00	IC	NJM2068M-D(Te2)	I C	OP AMP	
* LD101	WP841300	LED, GREEN	HFG203PJW-3-B	L E D	AFL 1	
* LD102	WP841300	LED, GREEN	HFG203PJW-3-B	L E D	AFL 2	
* LD103	WP841300	LED, GREEN	HFG203PJW-3-B	L E D	AFL 3	
* LD104	WP841300	LED, GREEN	HFG203PJW-3-B	L E D	AFL 4	
* LD301	WP841200	LED, RED	HFR203PJW-3-B	L E D	MUTE MASTER 1	
* LD302	WP841200	LED, RED	HFR203PJW-3-B	L E D	MUTE MASTER 2	
* LD303	WP841200	LED, RED	HFR203PJW-3-B	L E D	MUTE MASTER 3	
* LD304	WP841200	LED, RED	HFR203PJW-3-B	L E D	MUTE MASTER 4	
* LD305	WP841300	LED, GREEN	HFG203PJW-3-B	L E D	POWER	
* LD306	WP841400	LED, YELLOW	HFY103PJW-3-B	L E D	2TR IN PFL	
* LD307	WP841400	LED, YELLOW	HFY103PJW-3-B	L E D	ON	
* LD401	WP841400	LED, YELLOW	HFY103PJW-3-B	L E D	RETURN 1 PFL	
* LD402	WP841400	LED, YELLOW	HFY103PJW-3-B	L E D	RETURN 2 PFL	

*: New Parts

RANK: Japan only

MAS1

REF NO.	PART NO.	DESCRIPTION		部	品	名	REMARKS	QTY	RANK
* LD501	WP841400	LED, YELLOW	HFY103PJW-3-B	L	E	D	RETURN 3 PFL		
* LD502	WP841400	LED, YELLOW	HFY103PJW-3-B	L	E	D	RETURN 4 PFL		
Q101	VV556400	TRANSISTOR	2SC2412K Q,R,S TP	ト	ラ	ン	ジ	ス	タ
Q102	VV556500	TRANSISTOR	2SA1037AK Q,R,S TP	ト	ラ	ン	ジ	ス	タ
Q301	VV556400	TRANSISTOR	2SC2412K Q,R,S TP	ト	ラ	ン	ジ	ス	タ
Q302	VV556400	TRANSISTOR	2SC2412K Q,R,S TP	ト	ラ	ン	ジ	ス	タ
Q303	VV556500	TRANSISTOR	2SA1037AK Q,R,S TP	ト	ラ	ン	ジ	ス	タ
Q304	VV556400	TRANSISTOR	2SC2412K Q,R,S TP	ト	ラ	ン	ジ	ス	タ
Q501	VV556400	TRANSISTOR	2SC2412K Q,R,S TP	ト	ラ	ン	ジ	ス	タ
Q502	VV556500	TRANSISTOR	2SA1037AK Q,R,S TP	ト	ラ	ン	ジ	ス	タ
R101	RF457560	CHIP RESISTOR 1/16W	56.0K D RECT.	チ	ッ	ブ	抵	抗	01
-132	RF457560	CHIP RESISTOR 1/16W	56.0K D RECT.	チ	ッ	ブ	抵	抗	01
R133	RF457270	CHIP RESISTOR 1/16W	27.0K D RECT.	チ	ッ	ブ	抵	抗	
-140	RF457270	CHIP RESISTOR 1/16W	27.0K D RECT.	チ	ッ	ブ	抵	抗	
R141	RF457180	CHIP RESISTOR 1/16W	18.0K D RECT.	チ	ッ	ブ	抵	抗	
-143	RF457180	CHIP RESISTOR 1/16W	18.0K D RECT.	チ	ッ	ブ	抵	抗	
R144	RF457270	CHIP RESISTOR 1/16W	27.0K D RECT.	チ	ッ	ブ	抵	抗	
-151	RF457270	CHIP RESISTOR 1/16W	27.0K D RECT.	チ	ッ	ブ	抵	抗	
R152	RF457180	CHIP RESISTOR 1/16W	18.0K D RECT.	チ	ッ	ブ	抵	抗	
-154	RF457180	CHIP RESISTOR 1/16W	18.0K D RECT.	チ	ッ	ブ	抵	抗	
R155	RF457270	CHIP RESISTOR 1/16W	27.0K D RECT.	チ	ッ	ブ	抵	抗	
-162	RF457270	CHIP RESISTOR 1/16W	27.0K D RECT.	チ	ッ	ブ	抵	抗	
R163	RF457180	CHIP RESISTOR 1/16W	18.0K D RECT.	チ	ッ	ブ	抵	抗	
-165	RF457180	CHIP RESISTOR 1/16W	18.0K D RECT.	チ	ッ	ブ	抵	抗	
R166	RF457270	CHIP RESISTOR 1/16W	27.0K D RECT.	チ	ッ	ブ	抵	抗	
-173	RF457270	CHIP RESISTOR 1/16W	27.0K D RECT.	チ	ッ	ブ	抵	抗	
R174	RF457180	CHIP RESISTOR 1/16W	18.0K D RECT.	チ	ッ	ブ	抵	抗	
-184	RF457180	CHIP RESISTOR 1/16W	18.0K D RECT.	チ	ッ	ブ	抵	抗	
R185	RF457560	CHIP RESISTOR 1/16W	56.0K D RECT.	チ	ッ	ブ	抵	抗	01
-188	RF457560	CHIP RESISTOR 1/16W	56.0K D RECT.	チ	ッ	ブ	抵	抗	01
R189	RD358100	CHIP RESISTOR 1/16W	100.0K 63M J RECT.	チ	ッ	ブ	抵	抗	
-192	RD358100	CHIP RESISTOR 1/16W	100.0K 63M J RECT.	チ	ッ	ブ	抵	抗	
R193	RD357100	CHIP RESISTOR 1/16W	10.0K 63M J RECT.	チ	ッ	ブ	抵	抗	01
R194	RD356120	CHIP RESISTOR 1/16W	1.2K 63M J RECT.	チ	ッ	ブ	抵	抗	
R195	RD355150	CHIP RESISTOR 1/16W	150.0 63M J RECT.	チ	ッ	ブ	抵	抗	
R196	RD35747R	CHIP RESISTOR 1/16W	47.0K 63M J RECT.	チ	ッ	ブ	抵	抗	01
R197	RD35747R	CHIP RESISTOR 1/16W	47.0K 63M J RECT.	チ	ッ	ブ	抵	抗	01
R198	RF45730R	CHIP RESISTOR 1/16W	30.0K D RECT.	チ	ッ	ブ	抵	抗	01
-205	RF45730R	CHIP RESISTOR 1/16W	30.0K D RECT.	チ	ッ	ブ	抵	抗	01
R301	RD357100	CHIP RESISTOR 1/16W	10.0K 63M J RECT.	チ	ッ	ブ	抵	抗	01
R302	RD356120	CHIP RESISTOR 1/16W	1.2K 63M J RECT.	チ	ッ	ブ	抵	抗	
R303	RD355150	CHIP RESISTOR 1/16W	150.0 63M J RECT.	チ	ッ	ブ	抵	抗	
R304	RD15627R	CHIP RESISTOR 1/4W	2.7K 1/4 J TP	チ	ッ	ブ	抵	抗	
R305	RD358220	CHIP RESISTOR 1/16W	220.0K 63M J RECT.	チ	ッ	ブ	抵	抗	
-308	RD358220	CHIP RESISTOR 1/16W	220.0K 63M J RECT.	チ	ッ	ブ	抵	抗	
R309	RF457330	CHIP RESISTOR 1/16W	33.0K D RECT.	チ	ッ	ブ	抵	抗	
R310	RF457120	CHIP RESISTOR 1/16W	12.0K D RECT.	チ	ッ	ブ	抵	抗	
R311	RF457330	CHIP RESISTOR 1/16W	33.0K D RECT.	チ	ッ	ブ	抵	抗	
R312	RF457120	CHIP RESISTOR 1/16W	12.0K D RECT.	チ	ッ	ブ	抵	抗	
R313	RF457270	CHIP RESISTOR 1/16W	27.0K D RECT.	チ	ッ	ブ	抵	抗	
R314	RF457330	CHIP RESISTOR 1/16W	33.0K D RECT.	チ	ッ	ブ	抵	抗	
R315	RF457330	CHIP RESISTOR 1/16W	33.0K D RECT.	チ	ッ	ブ	抵	抗	
R316	RF455100	CHIP RESISTOR 1/16W	100.0 D RECT.	チ	ッ	ブ	抵	抗	
R317	RF457180	CHIP RESISTOR 1/16W	18.0K D RECT.	チ	ッ	ブ	抵	抗	
-323	RF457180	CHIP RESISTOR 1/16W	18.0K D RECT.	チ	ッ	ブ	抵	抗	
R324	RF457100	CHIP RESISTOR 1/16W	10.0K D RECT.	チ	ッ	ブ	抵	抗	
R325	RF457100	CHIP RESISTOR 1/16W	10.0K D RECT.	チ	ッ	ブ	抵	抗	
R326	RF455100	CHIP RESISTOR 1/16W	100.0 D RECT.	チ	ッ	ブ	抵	抗	
R327	RF457180	CHIP RESISTOR 1/16W	18.0K D RECT.	チ	ッ	ブ	抵	抗	
R328	RF457180	CHIP RESISTOR 1/16W	18.0K D RECT.	チ	ッ	ブ	抵	抗	
R329	RF457100	CHIP RESISTOR 1/16W	10.0K D RECT.	チ	ッ	ブ	抵	抗	
R330	RF457100	CHIP RESISTOR 1/16W	10.0K D RECT.	チ	ッ	ブ	抵	抗	
R331	RF457180	CHIP RESISTOR 1/16W	18.0K D RECT.	チ	ッ	ブ	抵	抗	
R332	RD358100	CHIP RESISTOR 1/16W	100.0K 63M J RECT.	チ	ッ	ブ	抵	抗	
R334	RF457180	CHIP RESISTOR 1/16W	18.0K D RECT.	チ	ッ	ブ	抵	抗	
R335	RF457180	CHIP RESISTOR 1/16W	18.0K D RECT.	チ	ッ	ブ	抵	抗	
R336	RD358100	CHIP RESISTOR 1/16W	100.0K 63M J RECT.	チ	ッ	ブ	抵	抗	
R337	RD358100	CHIP RESISTOR 1/16W	100.0K 63M J RECT.	チ	ッ	ブ	抵	抗	
R338	RD357390	CHIP RESISTOR 1/16W	39.0K 63M J RECT.	チ	ッ	ブ	抵	抗	
R339	RF457180	CHIP RESISTOR 1/16W	18.0K D RECT.	チ	ッ	ブ	抵	抗	

*: New Parts

RANK: Japan only

MAS1

REF NO.	PART NO.	DESCRIPTION	部	品	名	REMARKS	QTY	RANK
R340	RD355680	CHIP RESISTOR 1/16W	680.0	63M	J RECT.			
R341	RD15627R	CHIP RESISTOR 1/4W	2.7K	1/4	J TP			
R342	RF457100	CHIP RESISTOR 1/16W	10.0K	D	RECT.			
R343	RD15627R	CHIP RESISTOR 1/4W	2.7K	1/4	J TP			
R344	RF457180	CHIP RESISTOR 1/16W	18.0K	D	RECT.			
R345	RF457180	CHIP RESISTOR 1/16W	18.0K	D	RECT.			
R346	RF457270	CHIP RESISTOR 1/16W	27.0K	D	RECT.			
R347	RD35747R	CHIP RESISTOR 1/16W	47.0K	63M	J RECT.			01
R348	RF457180	CHIP RESISTOR 1/16W	18.0K	D	RECT.			
R349	RF457180	CHIP RESISTOR 1/16W	18.0K	D	RECT.			
R350	RD357390	CHIP RESISTOR 1/16W	39.0K	63M	J RECT.			
R351	RF457100	CHIP RESISTOR 1/16W	10.0K	D	RECT.			
-354	RF457100	CHIP RESISTOR 1/16W	10.0K	D	RECT.			
R355	RD358100	CHIP RESISTOR 1/16W	100.0K	63M	J RECT.			
R356	RD15627R	CHIP RESISTOR 1/4W	2.7K	1/4	J TP			
R357	RD35747R	CHIP RESISTOR 1/16W	47.0K	63M	J RECT.			01
R358	RD358100	CHIP RESISTOR 1/16W	100.0K	63M	J RECT.			
R359	RD358100	CHIP RESISTOR 1/16W	100.0K	63M	J RECT.			
R360	RF457180	CHIP RESISTOR 1/16W	18.0K	D	RECT.			
R361	RF457180	CHIP RESISTOR 1/16W	18.0K	D	RECT.			
R362	RF457270	CHIP RESISTOR 1/16W	27.0K	D	RECT.			
R363	RF457270	CHIP RESISTOR 1/16W	27.0K	D	RECT.			
R364	RF457360	CHIP RESISTOR 1/16W	36.0K	D	RECT.			
-371	RF457360	CHIP RESISTOR 1/16W	36.0K	D	RECT.			
R372	RF457180	CHIP RESISTOR 1/16W	18.0K	D	RECT.			
-386	RF457180	CHIP RESISTOR 1/16W	18.0K	D	RECT.			
R387	RF457120	CHIP RESISTOR 1/16W	12.0K	D	RECT.			
R388	RF457120	CHIP RESISTOR 1/16W	12.0K	D	RECT.			
R389	RD358100	CHIP RESISTOR 1/16W	100.0K	63M	J RECT.			
R390	RD358100	CHIP RESISTOR 1/16W	100.0K	63M	J RECT.			
R391	RD355680	CHIP RESISTOR 1/16W	680.0	63M	J RECT.			
R392	RD357220	CHIP RESISTOR 1/16W	22.0K	63M	J RECT.			01
-395	RD357220	CHIP RESISTOR 1/16W	22.0K	63M	J RECT.			01
R401	RF456820	CHIP RESISTOR 1/16W	8.2K	D	RECT.			
-412	RF456820	CHIP RESISTOR 1/16W	8.2K	D	RECT.			
R413	RF457100	CHIP RESISTOR 1/16W	10.0K	D	RECT.			
-420	RF457100	CHIP RESISTOR 1/16W	10.0K	D	RECT.			
R421	RF457180	CHIP RESISTOR 1/16W	18.0K	D	RECT.			
-424	RF457180	CHIP RESISTOR 1/16W	18.0K	D	RECT.			
R425	RF457100	CHIP RESISTOR 1/16W	10.0K	D	RECT.			
-432	RF457100	CHIP RESISTOR 1/16W	10.0K	D	RECT.			
R433	RF457270	CHIP RESISTOR 1/16W	27.0K	D	RECT.			
-448	RF457270	CHIP RESISTOR 1/16W	27.0K	D	RECT.			
R449	RF457180	CHIP RESISTOR 1/16W	18.0K	D	RECT.			
-472	RF457180	CHIP RESISTOR 1/16W	18.0K	D	RECT.			
R473	RF457270	CHIP RESISTOR 1/16W	27.0K	D	RECT.			
-476	RF457270	CHIP RESISTOR 1/16W	27.0K	D	RECT.			
R477	RD358100	CHIP RESISTOR 1/16W	100.0K	63M	J RECT.			
-480	RD358100	CHIP RESISTOR 1/16W	100.0K	63M	J RECT.			
R501	RF456820	CHIP RESISTOR 1/16W	8.2K	D	RECT.			
-512	RF456820	CHIP RESISTOR 1/16W	8.2K	D	RECT.			
R513	RF457100	CHIP RESISTOR 1/16W	10.0K	D	RECT.			
-520	RF457100	CHIP RESISTOR 1/16W	10.0K	D	RECT.			
R521	RD357100	CHIP RESISTOR 1/16W	10.0K	63M	J RECT.			01
R522	RD356120	CHIP RESISTOR 1/16W	1.2K	63M	J RECT.			
R523	RF457180	CHIP RESISTOR 1/16W	18.0K	D	RECT.			
-526	RF457180	CHIP RESISTOR 1/16W	18.0K	D	RECT.			
R527	RF457100	CHIP RESISTOR 1/16W	10.0K	D	RECT.			
-530	RF457100	CHIP RESISTOR 1/16W	10.0K	D	RECT.			
R531	RD355150	CHIP RESISTOR 1/16W	150.0	63M	J RECT.			
R532	RF457100	CHIP RESISTOR 1/16W	10.0K	D	RECT.			
-535	RF457100	CHIP RESISTOR 1/16W	10.0K	D	RECT.			
R536	RD35747R	CHIP RESISTOR 1/16W	47.0K	63M	J RECT.			01
R537	RD35747R	CHIP RESISTOR 1/16W	47.0K	63M	J RECT.			01
R538	RF457270	CHIP RESISTOR 1/16W	27.0K	D	RECT.			
-553	RF457270	CHIP RESISTOR 1/16W	27.0K	D	RECT.			
R554	RF457180	CHIP RESISTOR 1/16W	18.0K	D	RECT.			
-577	RF457180	CHIP RESISTOR 1/16W	18.0K	D	RECT.			
R578	RF457270	CHIP RESISTOR 1/16W	27.0K	D	RECT.			
-581	RF457270	CHIP RESISTOR 1/16W	27.0K	D	RECT.			

*: New Parts

RANK: Japan only

MAS1

REF NO.	PART NO.	DESCRIPTION		部 品 名	REMARKS	QTY	RANK
R582	RD358100	CHIP RESISTOR 1/16W	100.0K 63M J RECT.	チ ッ プ 抵 抗			
-585	RD358100	CHIP RESISTOR 1/16W	100.0K 63M J RECT.	チ ッ プ 抵 抗			
SW101	WH918700	PUSH SWITCH	PS-22E85L-02	ブ ッ シ ュ S W	AFL 1		01
SW102	WH918700	PUSH SWITCH	PS-22E85L-02	ブ ッ シ ュ S W	AFL 2		01
SW103	WH918700	PUSH SWITCH	PS-22E85L-02	ブ ッ シ ュ S W	AFL 3		01
SW104	WH918700	PUSH SWITCH	PS-22E85L-02	ブ ッ シ ュ S W	AFL 4		01
SW301	WH918700	PUSH SWITCH	PS-22E85L-02	ブ ッ シ ュ S W	REC OUT ST		01
SW302	WH918700	PUSH SWITCH	PS-22E85L-02	ブ ッ シ ュ S W	REC OUT MONO		01
SW303	WH918800	PUSH SWITCH	PS-42E85L-02	ブ ッ シ ュ S W	2TR IN PFL		01
SW304	WH918700	PUSH SWITCH	PS-22E85L-02	ブ ッ シ ュ S W	2TR IN ST		01
SW305	WH918700	PUSH SWITCH	PS-22E85L-02	ブ ッ シ ュ S W	2TR IN MONO		01
SW306	WH918700	PUSH SWITCH	PS-22E85L-02	ブ ッ シ ュ S W	ON		01
SW307	WH918700	PUSH SWITCH	PS-22E85L-02	ブ ッ シ ュ S W	AUX 1-2		01
SW308	WH918700	PUSH SWITCH	PS-22E85L-02	ブ ッ シ ュ S W	AUX 3-4		01
SW309	WH918700	PUSH SWITCH	PS-22E85L-02	ブ ッ シ ュ S W	AUX 5-6		01
SW310	WH918700	PUSH SWITCH	PS-22E85L-02	ブ ッ シ ュ S W	AUX 7-8		01
SW311	WH918700	PUSH SWITCH	PS-22E85L-02	ブ ッ シ ュ S W	GROUP 1-8		01
SW312	WH918700	PUSH SWITCH	PS-22E85L-02	ブ ッ シ ュ S W	STEREO/MONO		01
SW313	WH918700	PUSH SWITCH	PS-22E85L-02	ブ ッ シ ュ S W	MATRIX 1-2		01
SW314	WH918700	PUSH SWITCH	PS-22E85L-02	ブ ッ シ ュ S W	MATRIX 3-4		01
SW315	WH918700	PUSH SWITCH	PS-22E85L-02	ブ ッ シ ュ S W	MUTE MASTER 1		01
SW316	WH918700	PUSH SWITCH	PS-22E85L-02	ブ ッ シ ュ S W	MUTE MASTER 2		01
SW317	WH918700	PUSH SWITCH	PS-22E85L-02	ブ ッ シ ュ S W	MUTE MASTER 3		01
SW318	WH918700	PUSH SWITCH	PS-22E85L-02	ブ ッ シ ュ S W	MUTE MASTER 4		01
SW401	WH918700	PUSH SWITCH	PS-22E85L-02	ブ ッ シ ュ S W	STEREO AUX RETURN 1 1-2		01
SW402	WH918700	PUSH SWITCH	PS-22E85L-02	ブ ッ シ ュ S W	STEREO AUX RETURN 1 3-4		01
SW403	WH918700	PUSH SWITCH	PS-22E85L-02	ブ ッ シ ュ S W	STEREO AUX RETURN 1 5-6		01
SW404	WH918700	PUSH SWITCH	PS-22E85L-02	ブ ッ シ ュ S W	STEREO AUX RETURN 1 7-8		01
SW405	WH918700	PUSH SWITCH	PS-22E85L-02	ブ ッ シ ュ S W	STEREO AUX RETURN 1 ST		01
SW406	WH918700	PUSH SWITCH	PS-22E85L-02	ブ ッ シ ュ S W	STEREO AUX RETURN 1 MONO		01
SW407	WH918800	PUSH SWITCH	PS-42E85L-02	ブ ッ シ ュ S W	RETURN 1 PFL		01
SW411	WH918700	PUSH SWITCH	PS-22E85L-02	ブ ッ シ ュ S W	STEREO AUX RETURN 2 1-2		01
SW412	WH918700	PUSH SWITCH	PS-22E85L-02	ブ ッ シ ュ S W	STEREO AUX RETURN 2 3-4		01
SW413	WH918700	PUSH SWITCH	PS-22E85L-02	ブ ッ シ ュ S W	STEREO AUX RETURN 2 5-6		01
SW414	WH918700	PUSH SWITCH	PS-22E85L-02	ブ ッ シ ュ S W	STEREO AUX RETURN 2 7-8		01
SW415	WH918700	PUSH SWITCH	PS-22E85L-02	ブ ッ シ ュ S W	STEREO AUX RETURN 2 ST		01
SW416	WH918700	PUSH SWITCH	PS-22E85L-02	ブ ッ シ ュ S W	STEREO AUX RETURN 2 MONO		01
SW417	WH918800	PUSH SWITCH	PS-42E85L-02	ブ ッ シ ュ S W	RETURN 2 PFL		01
SW501	WH918700	PUSH SWITCH	PS-22E85L-02	ブ ッ シ ュ S W	STEREO AUX RETURN 3 1-2		01
SW502	WH918700	PUSH SWITCH	PS-22E85L-02	ブ ッ シ ュ S W	STEREO AUX RETURN 3 3-4		01
SW503	WH918700	PUSH SWITCH	PS-22E85L-02	ブ ッ シ ュ S W	STEREO AUX RETURN 3 5-6		01
SW504	WH918700	PUSH SWITCH	PS-22E85L-02	ブ ッ シ ュ S W	STEREO AUX RETURN 3 7-8		01
SW505	WH918700	PUSH SWITCH	PS-22E85L-02	ブ ッ シ ュ S W	STEREO AUX RETURN 3 ST		01
SW506	WH918700	PUSH SWITCH	PS-22E85L-02	ブ ッ シ ュ S W	STEREO AUX RETURN 3 MONO		01
SW507	WH918800	PUSH SWITCH	PS-42E85L-02	ブ ッ シ ュ S W	RETURN 3 PFL		01
SW511	WH918700	PUSH SWITCH	PS-22E85L-02	ブ ッ シ ュ S W	STEREO AUX RETURN 4 1-2		01
SW512	WH918700	PUSH SWITCH	PS-22E85L-02	ブ ッ シ ュ S W	STEREO AUX RETURN 4 3-4		01
SW513	WH918700	PUSH SWITCH	PS-22E85L-02	ブ ッ シ ュ S W	STEREO AUX RETURN 4 5-6		01
SW514	WH918700	PUSH SWITCH	PS-22E85L-02	ブ ッ シ ュ S W	STEREO AUX RETURN 4 7-8		01
SW515	WH918700	PUSH SWITCH	PS-22E85L-02	ブ ッ シ ュ S W	STEREO AUX RETURN 4 ST		01
SW516	WH918700	PUSH SWITCH	PS-22E85L-02	ブ ッ シ ュ S W	STEREO AUX RETURN 4 MONO		01
SW517	WH918800	PUSH SWITCH	PS-42E85L-02	ブ ッ シ ュ S W	RETURN 4 PFL		01
VR101	V8264600	ROTARY VARIABLE RESISTOR	A 20.0K XV09213YNP	ロ - タ リ - V R	MATRIX OUT 1		03
VR102	V8264600	ROTARY VARIABLE RESISTOR	A 20.0K XV09213YNP	ロ - タ リ - V R	MATRIX OUT 2		03
VR103	V8264600	ROTARY VARIABLE RESISTOR	A 20.0K XV09213YNP	ロ - タ リ - V R	MATRIX OUT 3		03
VR104	V8264600	ROTARY VARIABLE RESISTOR	A 20.0K XV09213YNP	ロ - タ リ - V R	MATRIX OUT 4		03
VR105	V8264600	ROTARY VARIABLE RESISTOR	A 20.0K XV09213YNP	ロ - タ リ - V R	MATRIX OUT 5		03
VR106	V8264600	ROTARY VARIABLE RESISTOR	A 20.0K XV09213YNP	ロ - タ リ - V R	MATRIX OUT 6		03
VR107	V8264600	ROTARY VARIABLE RESISTOR	A 20.0K XV09213YNP	ロ - タ リ - V R	MATRIX OUT 7		03
VR108	V8264600	ROTARY VARIABLE RESISTOR	A 20.0K XV09213YNP	ロ - タ リ - V R	MATRIX OUT 8		03
VR109	V8264600	ROTARY VARIABLE RESISTOR	A 20.0K XV09213YNP	ロ - タ リ - V R	MATRIX OUT L		03
VR110	V8264600	ROTARY VARIABLE RESISTOR	A 20.0K XV09213YNP	ロ - タ リ - V R	MATRIX OUT R		03
VR111	V8264600	ROTARY VARIABLE RESISTOR	A 20.0K XV09213YNP	ロ - タ リ - V R	MATRIX OUT MONO		03
VR112	V8264600	ROTARY VARIABLE RESISTOR	A 20.0K XV09213YNP	ロ - タ リ - V R	MATRIX 1		03
VR121	V8264600	ROTARY VARIABLE RESISTOR	A 20.0K XV09213YNP	ロ - タ リ - V R	MATRIX OUT 1		03
VR122	V8264600	ROTARY VARIABLE RESISTOR	A 20.0K XV09213YNP	ロ - タ リ - V R	MATRIX OUT 2		03
VR123	V8264600	ROTARY VARIABLE RESISTOR	A 20.0K XV09213YNP	ロ - タ リ - V R	MATRIX OUT 3		03
VR124	V8264600	ROTARY VARIABLE RESISTOR	A 20.0K XV09213YNP	ロ - タ リ - V R	MATRIX OUT 4		03
VR125	V8264600	ROTARY VARIABLE RESISTOR	A 20.0K XV09213YNP	ロ - タ リ - V R	MATRIX OUT 5		03
VR126	V8264600	ROTARY VARIABLE RESISTOR	A 20.0K XV09213YNP	ロ - タ リ - V R	MATRIX OUT 6		03

*: New Parts

RANK: Japan only

MAS1 and MAS2

REF NO.	PART NO.	DESCRIPTION	部 品 名	REMARKS	QTY	RANK
* VR514	WN156600	ROTARY VARIABLE RESISTOR	A 20.0K XV012313YG	2 連 ロ ー タ リ ー V R	STEREO AUX RETURN 4 AUX 4	01
VR515	V826510R	ROTARY VARIABLE RESISTOR	A 20.0K XV012313	2 連 ロ ー タ リ ー V R		
* VR515	WN156600	ROTARY VARIABLE RESISTOR	A 20.0K XV012313YG	2 連 ロ ー タ リ ー V R		
* WJ986400		CIRCUIT BOARD	MAS2	M A S 2 シ ー ト	(X8664C0)	
C101	US064100	CERAMIC CAPACITOR-B (CHIP)	0.0100 50V K RECT.	チ ッ プ セ ラ (B)		
C102	US064100	CERAMIC CAPACITOR-B (CHIP)	0.0100 50V K RECT.	チ ッ プ セ ラ (B)		
C103	US063100	CERAMIC CAPACITOR-B (CHIP)	1000P 50V K RECT.	チ ッ プ セ ラ (B)		
C104	US063100	CERAMIC CAPACITOR-B (CHIP)	1000P 50V K RECT.	チ ッ プ セ ラ (B)		
C105	US064100	CERAMIC CAPACITOR-B (CHIP)	0.0100 50V K RECT.	チ ッ プ セ ラ (B)		
C106	US064100	CERAMIC CAPACITOR-B (CHIP)	0.0100 50V K RECT.	チ ッ プ セ ラ (B)		
C107	UR867100	ELECTROLYTIC CAPACITOR	10.00 50.0V RX TP	ケ ミ コ ン		
-110	UR867100	ELECTROLYTIC CAPACITOR	10.00 50.0V RX TP	ケ ミ コ ン		
C111	US064100	CERAMIC CAPACITOR-B (CHIP)	0.0100 50V K RECT.	チ ッ プ セ ラ (B)		
C112	US062100	CERAMIC CAPACITOR-SL (CHIP)	100P 50V J RECT.	チ ッ プ セ ラ (S L)		
-115	US062100	CERAMIC CAPACITOR-SL (CHIP)	100P 50V J RECT.	チ ッ プ セ ラ (S L)		
C116	US064100	CERAMIC CAPACITOR-B (CHIP)	0.0100 50V K RECT.	チ ッ プ セ ラ (B)		
C117	US062100	CERAMIC CAPACITOR-SL (CHIP)	100P 50V J RECT.	チ ッ プ セ ラ (S L)		
-120	US062100	CERAMIC CAPACITOR-SL (CHIP)	100P 50V J RECT.	チ ッ プ セ ラ (S L)		
C121	US064100	CERAMIC CAPACITOR-B (CHIP)	0.0100 50V K RECT.	チ ッ プ セ ラ (B)		
C122	US06168R	CERAMIC CAPACITOR-SL (CHIP)	68P 50V J RECT.	チ ッ プ セ ラ (S L)		01
-125	US06168R	CERAMIC CAPACITOR-SL (CHIP)	68P 50V J RECT.	チ ッ プ セ ラ (S L)		01
C126	US064100	CERAMIC CAPACITOR-B (CHIP)	0.0100 50V K RECT.	チ ッ プ セ ラ (B)		
C127	UR858100	ELECTROLYTIC CAPACITOR	100.00 35.0V RX TP	ケ ミ コ ン		
-130	UR858100	ELECTROLYTIC CAPACITOR	100.00 35.0V RX TP	ケ ミ コ ン		
C131	US063100	CERAMIC CAPACITOR-B (CHIP)	1000P 50V K RECT.	チ ッ プ セ ラ (B)		
C132	US063100	CERAMIC CAPACITOR-B (CHIP)	1000P 50V K RECT.	チ ッ プ セ ラ (B)		
C137	UR866220	ELECTROLYTIC CAPACITOR	2.20 50.0V RX TP	ケ ミ コ ン		
-140	UR866220	ELECTROLYTIC CAPACITOR	2.20 50.0V RX TP	ケ ミ コ ン		
C141	US064100	CERAMIC CAPACITOR-B (CHIP)	0.0100 50V K RECT.	チ ッ プ セ ラ (B)		
-144	US064100	CERAMIC CAPACITOR-B (CHIP)	0.0100 50V K RECT.	チ ッ プ セ ラ (B)		
C145	UR857470	ELECTROLYTIC CAPACITOR	47.00 35.0V RX TP	ケ ミ コ ン		
C146	UR858100	ELECTROLYTIC CAPACITOR	100.00 35.0V RX TP	ケ ミ コ ン		
C147	UR858100	ELECTROLYTIC CAPACITOR	100.00 35.0V RX TP	ケ ミ コ ン		
C201	US064100	CERAMIC CAPACITOR-B (CHIP)	0.0100 50V K RECT.	チ ッ プ セ ラ (B)		
C202	US064100	CERAMIC CAPACITOR-B (CHIP)	0.0100 50V K RECT.	チ ッ プ セ ラ (B)		
C203	US063100	CERAMIC CAPACITOR-B (CHIP)	1000P 50V K RECT.	チ ッ プ セ ラ (B)		
C204	US063100	CERAMIC CAPACITOR-B (CHIP)	1000P 50V K RECT.	チ ッ プ セ ラ (B)		
C205	US064100	CERAMIC CAPACITOR-B (CHIP)	0.0100 50V K RECT.	チ ッ プ セ ラ (B)		
C206	US064100	CERAMIC CAPACITOR-B (CHIP)	0.0100 50V K RECT.	チ ッ プ セ ラ (B)		
C207	UR867100	ELECTROLYTIC CAPACITOR	10.00 50.0V RX TP	ケ ミ コ ン		
-210	UR867100	ELECTROLYTIC CAPACITOR	10.00 50.0V RX TP	ケ ミ コ ン		
C211	US064100	CERAMIC CAPACITOR-B (CHIP)	0.0100 50V K RECT.	チ ッ プ セ ラ (B)		
C212	US062100	CERAMIC CAPACITOR-SL (CHIP)	100P 50V J RECT.	チ ッ プ セ ラ (S L)		
-215	US062100	CERAMIC CAPACITOR-SL (CHIP)	100P 50V J RECT.	チ ッ プ セ ラ (S L)		
C216	US064100	CERAMIC CAPACITOR-B (CHIP)	0.0100 50V K RECT.	チ ッ プ セ ラ (B)		
C217	US062100	CERAMIC CAPACITOR-SL (CHIP)	100P 50V J RECT.	チ ッ プ セ ラ (S L)		
-220	US062100	CERAMIC CAPACITOR-SL (CHIP)	100P 50V J RECT.	チ ッ プ セ ラ (S L)		
C221	US064100	CERAMIC CAPACITOR-B (CHIP)	0.0100 50V K RECT.	チ ッ プ セ ラ (B)		
C222	US06168R	CERAMIC CAPACITOR-SL (CHIP)	68P 50V J RECT.	チ ッ プ セ ラ (S L)		01
-225	US06168R	CERAMIC CAPACITOR-SL (CHIP)	68P 50V J RECT.	チ ッ プ セ ラ (S L)		01
C226	US064100	CERAMIC CAPACITOR-B (CHIP)	0.0100 50V K RECT.	チ ッ プ セ ラ (B)		
C227	UR858100	ELECTROLYTIC CAPACITOR	100.00 35.0V RX TP	ケ ミ コ ン		
-230	UR858100	ELECTROLYTIC CAPACITOR	100.00 35.0V RX TP	ケ ミ コ ン		
C231	US063100	CERAMIC CAPACITOR-B (CHIP)	1000P 50V K RECT.	チ ッ プ セ ラ (B)		
C232	US063100	CERAMIC CAPACITOR-B (CHIP)	1000P 50V K RECT.	チ ッ プ セ ラ (B)		
C237	UR866220	ELECTROLYTIC CAPACITOR	2.20 50.0V RX TP	ケ ミ コ ン		
-240	UR866220	ELECTROLYTIC CAPACITOR	2.20 50.0V RX TP	ケ ミ コ ン		
C241	US064100	CERAMIC CAPACITOR-B (CHIP)	0.0100 50V K RECT.	チ ッ プ セ ラ (B)		
-244	US064100	CERAMIC CAPACITOR-B (CHIP)	0.0100 50V K RECT.	チ ッ プ セ ラ (B)		
C301	US064100	CERAMIC CAPACITOR-B (CHIP)	0.0100 50V K RECT.	チ ッ プ セ ラ (B)		
C302	UR867100	ELECTROLYTIC CAPACITOR	10.00 50.0V RX TP	ケ ミ コ ン		
-305	UR867100	ELECTROLYTIC CAPACITOR	10.00 50.0V RX TP	ケ ミ コ ン		
C306	US064100	CERAMIC CAPACITOR-B (CHIP)	0.0100 50V K RECT.	チ ッ プ セ ラ (B)		
C307	US064100	CERAMIC CAPACITOR-B (CHIP)	0.0100 50V K RECT.	チ ッ プ セ ラ (B)		
C308	US062100	CERAMIC CAPACITOR-SL (CHIP)	100P 50V J RECT.	チ ッ プ セ ラ (S L)		
-314	US062100	CERAMIC CAPACITOR-SL (CHIP)	100P 50V J RECT.	チ ッ プ セ ラ (S L)		
C315	US064100	CERAMIC CAPACITOR-B (CHIP)	0.0100 50V K RECT.	チ ッ プ セ ラ (B)		
C316	US062100	CERAMIC CAPACITOR-SL (CHIP)	100P 50V J RECT.	チ ッ プ セ ラ (S L)		
C317	US064100	CERAMIC CAPACITOR-B (CHIP)	0.0100 50V K RECT.	チ ッ プ セ ラ (B)		

*: New Parts

RANK: Japan only

MAS2

REF NO.	PART NO.	DESCRIPTION	部 品 名	REMARKS	QTY	RANK
C318	US06168R	CERAMIC CAPACITOR-SL (CHIP)	68P 50V J RECT.	チ ッ プ セ ラ (S L)		01
-321	US06168R	CERAMIC CAPACITOR-SL (CHIP)	68P 50V J RECT.	チ ッ プ セ ラ (S L)		01
C322	US064100	CERAMIC CAPACITOR-B (CHIP)	0.0100 50V K RECT.	チ ッ プ セ ラ (B)		
C323	UR858100	ELECTROLYTIC CAPACITOR	100.00 35.0V RX TP	ケ ミ コ ン		
-326	UR858100	ELECTROLYTIC CAPACITOR	100.00 35.0V RX TP	ケ ミ コ ン		
C327	US064100	CERAMIC CAPACITOR-B (CHIP)	0.0100 50V K RECT.	チ ッ プ セ ラ (B)		
C328	US064100	CERAMIC CAPACITOR-B (CHIP)	0.0100 50V K RECT.	チ ッ プ セ ラ (B)		
C329	UR866220	ELECTROLYTIC CAPACITOR	2.20 50.0V RX TP	ケ ミ コ ン		
-332	UR866220	ELECTROLYTIC CAPACITOR	2.20 50.0V RX TP	ケ ミ コ ン		
C333	US064100	CERAMIC CAPACITOR-B (CHIP)	0.0100 50V K RECT.	チ ッ プ セ ラ (B)		
-336	US064100	CERAMIC CAPACITOR-B (CHIP)	0.0100 50V K RECT.	チ ッ プ セ ラ (B)		
C337	US063100	CERAMIC CAPACITOR-B (CHIP)	1000P 50V K RECT.	チ ッ プ セ ラ (B)		
C338	US063100	CERAMIC CAPACITOR-B (CHIP)	1000P 50V K RECT.	チ ッ プ セ ラ (B)		
C401	US063100	CERAMIC CAPACITOR-B (CHIP)	1000P 50V K RECT.	チ ッ プ セ ラ (B)		
C402	US063100	CERAMIC CAPACITOR-B (CHIP)	1000P 50V K RECT.	チ ッ プ セ ラ (B)		
C403	US064100	CERAMIC CAPACITOR-B (CHIP)	0.0100 50V K RECT.	チ ッ プ セ ラ (B)		
C404	UR867100	ELECTROLYTIC CAPACITOR	10.00 50.0V RX TP	ケ ミ コ ン		
-407	UR867100	ELECTROLYTIC CAPACITOR	10.00 50.0V RX TP	ケ ミ コ ン		
C408	US064100	CERAMIC CAPACITOR-B (CHIP)	0.0100 50V K RECT.	チ ッ プ セ ラ (B)		
C409	US064100	CERAMIC CAPACITOR-B (CHIP)	0.0100 50V K RECT.	チ ッ プ セ ラ (B)		
C410	US062100	CERAMIC CAPACITOR-SL (CHIP)	100P 50V J RECT.	チ ッ プ セ ラ (S L)		
-416	US062100	CERAMIC CAPACITOR-SL (CHIP)	100P 50V J RECT.	チ ッ プ セ ラ (S L)		
C417	US064100	CERAMIC CAPACITOR-B (CHIP)	0.0100 50V K RECT.	チ ッ プ セ ラ (B)		
C418	US062100	CERAMIC CAPACITOR-SL (CHIP)	100P 50V J RECT.	チ ッ プ セ ラ (S L)		
C419	US064100	CERAMIC CAPACITOR-B (CHIP)	0.0100 50V K RECT.	チ ッ プ セ ラ (B)		
C420	US06168R	CERAMIC CAPACITOR-SL (CHIP)	68P 50V J RECT.	チ ッ プ セ ラ (S L)		01
-423	US06168R	CERAMIC CAPACITOR-SL (CHIP)	68P 50V J RECT.	チ ッ プ セ ラ (S L)		01
C424	US064100	CERAMIC CAPACITOR-B (CHIP)	0.0100 50V K RECT.	チ ッ プ セ ラ (B)		
C425	UR858100	ELECTROLYTIC CAPACITOR	100.00 35.0V RX TP	ケ ミ コ ン		
-428	UR858100	ELECTROLYTIC CAPACITOR	100.00 35.0V RX TP	ケ ミ コ ン		
C429	US064100	CERAMIC CAPACITOR-B (CHIP)	0.0100 50V K RECT.	チ ッ プ セ ラ (B)		
C430	US064100	CERAMIC CAPACITOR-B (CHIP)	0.0100 50V K RECT.	チ ッ プ セ ラ (B)		
C431	UR866220	ELECTROLYTIC CAPACITOR	2.20 50.0V RX TP	ケ ミ コ ン		
-434	UR866220	ELECTROLYTIC CAPACITOR	2.20 50.0V RX TP	ケ ミ コ ン		
C435	US064100	CERAMIC CAPACITOR-B (CHIP)	0.0100 50V K RECT.	チ ッ プ セ ラ (B)		
-438	US064100	CERAMIC CAPACITOR-B (CHIP)	0.0100 50V K RECT.	チ ッ プ セ ラ (B)		
C512	US064100	CERAMIC CAPACITOR-B (CHIP)	0.0100 50V K RECT.	チ ッ プ セ ラ (B)		
C514	UR867100	ELECTROLYTIC CAPACITOR	10.00 50.0V RX TP	ケ ミ コ ン		
-516	UR867100	ELECTROLYTIC CAPACITOR	10.00 50.0V RX TP	ケ ミ コ ン		
C517	US064100	CERAMIC CAPACITOR-B (CHIP)	0.0100 50V K RECT.	チ ッ プ セ ラ (B)		
C518	US064100	CERAMIC CAPACITOR-B (CHIP)	0.0100 50V K RECT.	チ ッ プ セ ラ (B)		
C519	US062220	CERAMIC CAPACITOR-SL (CHIP)	220P 50V J RECT.	チ ッ プ セ ラ (S L)		
C520	US062220	CERAMIC CAPACITOR-SL (CHIP)	220P 50V J RECT.	チ ッ プ セ ラ (S L)		
C521	US062100	CERAMIC CAPACITOR-SL (CHIP)	100P 50V J RECT.	チ ッ プ セ ラ (S L)		
C522	US064100	CERAMIC CAPACITOR-B (CHIP)	0.0100 50V K RECT.	チ ッ プ セ ラ (B)		
C523	US064100	CERAMIC CAPACITOR-B (CHIP)	0.0100 50V K RECT.	チ ッ プ セ ラ (B)		
C524	US062100	CERAMIC CAPACITOR-SL (CHIP)	100P 50V J RECT.	チ ッ プ セ ラ (S L)		
C525	US062100	CERAMIC CAPACITOR-SL (CHIP)	100P 50V J RECT.	チ ッ プ セ ラ (S L)		
C526	US064100	CERAMIC CAPACITOR-B (CHIP)	0.0100 50V K RECT.	チ ッ プ セ ラ (B)		
C527	US062100	CERAMIC CAPACITOR-SL (CHIP)	100P 50V J RECT.	チ ッ プ セ ラ (S L)		
C529	US06168R	CERAMIC CAPACITOR-SL (CHIP)	68P 50V J RECT.	チ ッ プ セ ラ (S L)		01
-531	US06168R	CERAMIC CAPACITOR-SL (CHIP)	68P 50V J RECT.	チ ッ プ セ ラ (S L)		01
C532	US064100	CERAMIC CAPACITOR-B (CHIP)	0.0100 50V K RECT.	チ ッ プ セ ラ (B)		
C533	UR857470	ELECTROLYTIC CAPACITOR	47.00 35.0V RX TP	ケ ミ コ ン		
-535	UR857470	ELECTROLYTIC CAPACITOR	47.00 35.0V RX TP	ケ ミ コ ン		
C536	UR867100	ELECTROLYTIC CAPACITOR	10.00 50.0V RX TP	ケ ミ コ ン		
C537	UR867100	ELECTROLYTIC CAPACITOR	10.00 50.0V RX TP	ケ ミ コ ン		
C538	US062100	CERAMIC CAPACITOR-SL (CHIP)	100P 50V J RECT.	チ ッ プ セ ラ (S L)		
-541	US062100	CERAMIC CAPACITOR-SL (CHIP)	100P 50V J RECT.	チ ッ プ セ ラ (S L)		
C543	US061470	CERAMIC CAPACITOR-CH (CHIP)	47P 50V J RECT.	チ ッ プ セ ラ (C H)		
C544	US061470	CERAMIC CAPACITOR-CH (CHIP)	47P 50V J RECT.	チ ッ プ セ ラ (C H)		
C548	UR858100	ELECTROLYTIC CAPACITOR	100.00 35.0V RX TP	ケ ミ コ ン		
C549	UR858100	ELECTROLYTIC CAPACITOR	100.00 35.0V RX TP	ケ ミ コ ン		
C550	UR866220	ELECTROLYTIC CAPACITOR	2.20 50.0V RX TP	ケ ミ コ ン		
C563	US063100	CERAMIC CAPACITOR-B (CHIP)	1000P 50V K RECT.	チ ッ プ セ ラ (B)		
C564	US063100	CERAMIC CAPACITOR-B (CHIP)	1000P 50V K RECT.	チ ッ プ セ ラ (B)		
C601	US064100	CERAMIC CAPACITOR-B (CHIP)	0.0100 50V K RECT.	チ ッ プ セ ラ (B)		
C602	US061470	CERAMIC CAPACITOR-CH (CHIP)	47P 50V J RECT.	チ ッ プ セ ラ (C H)		
C603	US061470	CERAMIC CAPACITOR-CH (CHIP)	47P 50V J RECT.	チ ッ プ セ ラ (C H)		
C604	US064100	CERAMIC CAPACITOR-B (CHIP)	0.0100 50V K RECT.	チ ッ プ セ ラ (B)		

*: New Parts

RANK: Japan only

MAS2

REF NO.	PART NO.	DESCRIPTION		部 品 名	REMARKS	QTY	RANK
-609	US064100	CERAMIC CAPACITOR-B (CHIP)	0.0100 50V K RECT.	チ ッ プ セ ラ (B)			
C610	UR866470	ELECTROLYTIC CAPACITOR	4.70 50.0V RX TP	ケ ミ コ ン			
C611	UR866470	ELECTROLYTIC CAPACITOR	4.70 50.0V RX TP	ケ ミ コ ン			
C612	US064100	CERAMIC CAPACITOR-B (CHIP)	0.0100 50V K RECT.	チ ッ プ セ ラ (B)			
-619	US064100	CERAMIC CAPACITOR-B (CHIP)	0.0100 50V K RECT.	チ ッ プ セ ラ (B)			
C620	US061470	CERAMIC CAPACITOR-CH (CHIP)	47P 50V J RECT.	チ ッ プ セ ラ (C H)			
C621	US061470	CERAMIC CAPACITOR-CH (CHIP)	47P 50V J RECT.	チ ッ プ セ ラ (C H)			
C622	US064100	CERAMIC CAPACITOR-B (CHIP)	0.0100 50V K RECT.	チ ッ プ セ ラ (B)			
-627	US064100	CERAMIC CAPACITOR-B (CHIP)	0.0100 50V K RECT.	チ ッ プ セ ラ (B)			
C628	UR866470	ELECTROLYTIC CAPACITOR	4.70 50.0V RX TP	ケ ミ コ ン			
C629	UR866470	ELECTROLYTIC CAPACITOR	4.70 50.0V RX TP	ケ ミ コ ン			
C630	US064100	CERAMIC CAPACITOR-B (CHIP)	0.0100 50V K RECT.	チ ッ プ セ ラ (B)			
-636	US064100	CERAMIC CAPACITOR-B (CHIP)	0.0100 50V K RECT.	チ ッ プ セ ラ (B)			
CN101	VB39080R	CONNECTOR BASE POST, TOP	PH 12P TE	ベ ー ス ポ ス ト			01
CN102	VF28310R	CONNECTOR BASE POST, TOP	PH 13P TE	ベ ー ス ポ ス ト			01
CN103	VB390500	CONNECTOR BASE POST, TOP	PH 9P TE	ベ ー ス ポ ス ト			
CN104	VB39010R	CONNECTOR BASE POST, TOP	PH 5P TE	ベ ー ス ポ ス ト			01
CN105	VB39030R	CONNECTOR BASE POST, TOP	PH 7P TE	ベ ー ス ポ ス ト			01
CN106	VB39010R	CONNECTOR BASE POST, TOP	PH 5P TE	ベ ー ス ポ ス ト			01
CN107	VB39000R	CONNECTOR BASE POST, TOP	PH 4P TE	ベ ー ス ポ ス ト			01
CN108	VB38990R	CONNECTOR BASE POST, TOP	PH 3P TE	ベ ー ス ポ ス ト			01
CN201	VB39040R	CONNECTOR BASE POST, TOP	PH 8P TE	ベ ー ス ポ ス ト			01
CN301	VB39080R	CONNECTOR BASE POST, TOP	PH 12P TE	ベ ー ス ポ ス ト			01
CN302	VB39080R	CONNECTOR BASE POST, TOP	PH 12P TE	ベ ー ス ポ ス ト			01
CN501	VB38990R	CONNECTOR BASE POST, TOP	PH 3P TE	ベ ー ス ポ ス ト			01
CN502	VB390200	CONNECTOR BASE POST, TOP	PH 6P TE	ベ ー ス ポ ス ト			01
CN503	VB38990R	CONNECTOR BASE POST, TOP	PH 3P TE	ベ ー ス ポ ス ト			01
CN504	VB39010R	CONNECTOR BASE POST, TOP	PH 5P TE	ベ ー ス ポ ス ト			01
CN505	VB39010R	CONNECTOR BASE POST, TOP	PH 5P TE	ベ ー ス ポ ス ト			01
D101	VT332900	DIODE	1SS355 TE-17 TP	ダ イ オ ー ド			
-109	VT332900	DIODE	1SS355 TE-17 TP	ダ イ オ ー ド			
D201	VT332900	DIODE	1SS355 TE-17 TP	ダ イ オ ー ド			
-209	VT332900	DIODE	1SS355 TE-17 TP	ダ イ オ ー ド			
D301	VT332900	DIODE	1SS355 TE-17 TP	ダ イ オ ー ド			
-309	VT332900	DIODE	1SS355 TE-17 TP	ダ イ オ ー ド			
D401	VT332900	DIODE	1SS355 TE-17 TP	ダ イ オ ー ド			
-409	VT332900	DIODE	1SS355 TE-17 TP	ダ イ オ ー ド			
D501	VT332900	DIODE	1SS355 TE-17 TP	ダ イ オ ー ド			
-504	VT332900	DIODE	1SS355 TE-17 TP	ダ イ オ ー ド			
D601	VT332900	DIODE	1SS355 TE-17 TP	ダ イ オ ー ド			
-608	VT332900	DIODE	1SS355 TE-17 TP	ダ イ オ ー ド			
IC101	X3505A00	IC	NJM2068M-D(Te2)	I C	OP AMP		
IC102	X3505A00	IC	NJM2068M-D(Te2)	I C	OP AMP		
IC103	X6897A00	IC	BA4560RF-E2	I C	OP AMP		
IC104	X6897A00	IC	BA4560RF-E2	I C	OP AMP		
IC105	X6266A0R	IC	BA10339F-E2	I C	COMPARATOR		01
-108	X6266A0R	IC	BA10339F-E2	I C	COMPARATOR		01
IC201	X3505A00	IC	NJM2068M-D(Te2)	I C	OP AMP		
IC202	X3505A00	IC	NJM2068M-D(Te2)	I C	OP AMP		
IC203	X6897A00	IC	BA4560RF-E2	I C	OP AMP		
IC204	X6897A00	IC	BA4560RF-E2	I C	OP AMP		
IC205	X6266A0R	IC	BA10339F-E2	I C	COMPARATOR		01
-208	X6266A0R	IC	BA10339F-E2	I C	COMPARATOR		01
IC301	X3505A00	IC	NJM2068M-D(Te2)	I C	OP AMP		
IC302	X3505A00	IC	NJM2068M-D(Te2)	I C	OP AMP		
IC303	X6897A00	IC	BA4560RF-E2	I C	OP AMP		
IC304	X6897A00	IC	BA4560RF-E2	I C	OP AMP		
IC305	X6266A0R	IC	BA10339F-E2	I C	COMPARATOR		01
-308	X6266A0R	IC	BA10339F-E2	I C	COMPARATOR		01
IC401	X3505A00	IC	NJM2068M-D(Te2)	I C	OP AMP		
IC402	X3505A00	IC	NJM2068M-D(Te2)	I C	OP AMP		
IC403	X6897A00	IC	BA4560RF-E2	I C	OP AMP		
IC404	X6897A00	IC	BA4560RF-E2	I C	OP AMP		
IC405	X6266A0R	IC	BA10339F-E2	I C	COMPARATOR		01
-408	X6266A0R	IC	BA10339F-E2	I C	COMPARATOR		01
IC501	X3505A00	IC	NJM2068M-D(Te2)	I C	OP AMP		
IC504	X3505A00	IC	NJM2068M-D(Te2)	I C	OP AMP		
IC506	X6266A0R	IC	BA10339F-E2	I C	COMPARATOR		01
IC507	X3505A00	IC	NJM2068M-D(Te2)	I C	OP AMP		
IC601	X6897A00	IC	BA4560RF-E2	I C	OP AMP		

*: New Parts

RANK: Japan only

MAS2

REF NO.	PART NO.	DESCRIPTION		部	品	名	REMARKS	QTY	RANK
IC602	X6897A00	IC	BA4560RF-E2	I		C	OP AMP		
IC603	X6266A0R	IC	BA10339F-E2	I		C	COMPARATOR		01
-614	X6266A0R	IC	BA10339F-E2	I		C	COMPARATOR		01
* LD101	WP841400	LED, YELLOW	HFY103PJW-3-B	L	E	D	GROUP OUT 1 ON		
* LD102	WP841400	LED, YELLOW	HFY103PJW-3-B	L	E	D	GROUP OUT 2 ON		
* LD103	WP841400	LED, YELLOW	HFY103PJW-3-B	L	E	D	GROUP OUT 3 ON		
* LD104	WP841400	LED, YELLOW	HFY103PJW-3-B	L	E	D	GROUP OUT 4 ON		
* LD105	WP841300	LED, GREEN	HFG203PJW-3-B	L	E	D	GROUP OUT 1 AFL		
* LD106	WP841300	LED, GREEN	HFG203PJW-3-B	L	E	D	GROUP OUT 2 AFL		
* LD107	WP841300	LED, GREEN	HFG203PJW-3-B	L	E	D	GROUP OUT 3 AFL		
* LD108	WP841300	LED, GREEN	HFG203PJW-3-B	L	E	D	GROUP OUT 4 AFL		
* LD109	WP841200	LED, RED	HFR203PJW-3-B	L	E	D	GROUP OUT 1 PEAK		
* LD110	WP841400	LED, YELLOW	HFY103PJW-3-B	L	E	D	GROUP OUT 1 0		
* LD111	WP841300	LED, GREEN	HFG203PJW-3-B	L	E	D	GROUP OUT 1 -20		
* LD112	WP841200	LED, RED	HFR203PJW-3-B	L	E	D	GROUP OUT 2 PEAK		
* LD113	WP841400	LED, YELLOW	HFY103PJW-3-B	L	E	D	GROUP OUT 2 0		
* LD114	WP841300	LED, GREEN	HFG203PJW-3-B	L	E	D	GROUP OUT 2 -20		
* LD115	WP841200	LED, RED	HFR203PJW-3-B	L	E	D	GROUP OUT 3 PEAK		
* LD116	WP841400	LED, YELLOW	HFY103PJW-3-B	L	E	D	GROUP OUT 3 0		
* LD117	WP841300	LED, GREEN	HFG203PJW-3-B	L	E	D	GROUP OUT 3 -20		
* LD118	WP841200	LED, RED	HFR203PJW-3-B	L	E	D	GROUP OUT 4 PEAK		
* LD119	WP841400	LED, YELLOW	HFY103PJW-3-B	L	E	D	GROUP OUT 4 0		
* LD120	WP841300	LED, GREEN	HFG203PJW-3-B	L	E	D	GROUP OUT 4 -20		
* LD201	WP841400	LED, YELLOW	HFY103PJW-3-B	L	E	D	GROUP OUT 5 ON		
* LD202	WP841400	LED, YELLOW	HFY103PJW-3-B	L	E	D	GROUP OUT 6 ON		
* LD203	WP841400	LED, YELLOW	HFY103PJW-3-B	L	E	D	GROUP OUT 7 ON		
* LD204	WP841400	LED, YELLOW	HFY103PJW-3-B	L	E	D	GROUP OUT 8 ON		
* LD205	WP841300	LED, GREEN	HFG203PJW-3-B	L	E	D	GROUP OUT 5 AFL		
* LD206	WP841300	LED, GREEN	HFG203PJW-3-B	L	E	D	GROUP OUT 6 AFL		
* LD207	WP841300	LED, GREEN	HFG203PJW-3-B	L	E	D	GROUP OUT 7 AFL		
* LD208	WP841300	LED, GREEN	HFG203PJW-3-B	L	E	D	GROUP OUT 8 AFL		
* LD209	WP841200	LED, RED	HFR203PJW-3-B	L	E	D	GROUP OUT 5 PEAK		
* LD210	WP841400	LED, YELLOW	HFY103PJW-3-B	L	E	D	GROUP OUT 5 0		
* LD211	WP841300	LED, GREEN	HFG203PJW-3-B	L	E	D	GROUP OUT 5 -20		
* LD212	WP841200	LED, RED	HFR203PJW-3-B	L	E	D	GROUP OUT 6 PEAK		
* LD213	WP841400	LED, YELLOW	HFY103PJW-3-B	L	E	D	GROUP OUT 6 0		
* LD214	WP841300	LED, GREEN	HFG203PJW-3-B	L	E	D	GROUP OUT 6 -20		
* LD215	WP841200	LED, RED	HFR203PJW-3-B	L	E	D	GROUP OUT 7 PEAK		
* LD216	WP841400	LED, YELLOW	HFY103PJW-3-B	L	E	D	GROUP OUT 7 0		
* LD217	WP841300	LED, GREEN	HFG203PJW-3-B	L	E	D	GROUP OUT 7 -20		
* LD218	WP841200	LED, RED	HFR203PJW-3-B	L	E	D	GROUP OUT 8 PEAK		
* LD219	WP841400	LED, YELLOW	HFY103PJW-3-B	L	E	D	GROUP OUT 8 0		
* LD220	WP841300	LED, GREEN	HFG203PJW-3-B	L	E	D	GROUP OUT 8 -20		
* LD301	WP841300	LED, GREEN	HFG203PJW-3-B	L	E	D	AUX SEND 1 AFL		
* LD302	WP841300	LED, GREEN	HFG203PJW-3-B	L	E	D	AUX SEND 2 AFL		
* LD303	WP841300	LED, GREEN	HFG203PJW-3-B	L	E	D	AUX SEND 3 AFL		
* LD304	WP841300	LED, GREEN	HFG203PJW-3-B	L	E	D	AUX SEND 4 AFL		
* LD305	WP841200	LED, RED	HFR203PJW-3-B	L	E	D	AUX SEND 1 PEAK		
* LD306	WP841400	LED, YELLOW	HFY103PJW-3-B	L	E	D	AUX SEND 1 0		
* LD307	WP841300	LED, GREEN	HFG203PJW-3-B	L	E	D	AUX SEND 1 -20		
* LD308	WP841200	LED, RED	HFR203PJW-3-B	L	E	D	AUX SEND 2 PEAK		
* LD309	WP841400	LED, YELLOW	HFY103PJW-3-B	L	E	D	AUX SEND 2 0		
* LD310	WP841300	LED, GREEN	HFG203PJW-3-B	L	E	D	AUX SEND 2 -20		
* LD311	WP841200	LED, RED	HFR203PJW-3-B	L	E	D	AUX SEND 3 PEAK		
* LD312	WP841400	LED, YELLOW	HFY103PJW-3-B	L	E	D	AUX SEND 3 0		
* LD313	WP841300	LED, GREEN	HFG203PJW-3-B	L	E	D	AUX SEND 3 -20		
* LD314	WP841200	LED, RED	HFR203PJW-3-B	L	E	D	AUX SEND 4 PEAK		
* LD315	WP841400	LED, YELLOW	HFY103PJW-3-B	L	E	D	AUX SEND 4 0		
* LD316	WP841300	LED, GREEN	HFG203PJW-3-B	L	E	D	AUX SEND 4 -20		
* LD401	WP841300	LED, GREEN	HFG203PJW-3-B	L	E	D	AUX SEND 5 AFL		
* LD402	WP841300	LED, GREEN	HFG203PJW-3-B	L	E	D	AUX SEND 6 AFL		
* LD403	WP841300	LED, GREEN	HFG203PJW-3-B	L	E	D	AUX SEND 7 AFL		
* LD404	WP841300	LED, GREEN	HFG203PJW-3-B	L	E	D	AUX SEND 8 AFL		
* LD405	WP841200	LED, RED	HFR203PJW-3-B	L	E	D	AUX SEND 5 PEAK		
* LD406	WP841400	LED, YELLOW	HFY103PJW-3-B	L	E	D	AUX SEND 5 0		
* LD407	WP841300	LED, GREEN	HFG203PJW-3-B	L	E	D	AUX SEND 5 -20		
* LD408	WP841200	LED, RED	HFR203PJW-3-B	L	E	D	AUX SEND 6 PEAK		
* LD409	WP841400	LED, YELLOW	HFY103PJW-3-B	L	E	D	AUX SEND 6 0		
* LD410	WP841300	LED, GREEN	HFG203PJW-3-B	L	E	D	AUX SEND 6 -20		
* LD411	WP841200	LED, RED	HFR203PJW-3-B	L	E	D	AUX SEND 7 PEAK		

*: New Parts

RANK: Japan only

MAS2

REF NO.	PART NO.	DESCRIPTION		部	品	名	REMARKS	QTY	RANK
* LD412	WP841400	LED, YELLOW	HFY103PJW-3-B	L	E	D	AUX SEND 7 0		
* LD413	WP841300	LED, GREEN	HFG203PJW-3-B	L	E	D	AUX SEND 7 -20		
* LD414	WP841200	LED, RED	HFR203PJW-3-B	L	E	D	AUX SEND 8 PEAK		
* LD415	WP841400	LED, YELLOW	HFY103PJW-3-B	L	E	D	AUX SEND 8 0		
* LD416	WP841300	LED, GREEN	HFG203PJW-3-B	L	E	D	AUX SEND 8 -20		
* LD501	WP841400	LED, YELLOW	HFY103PJW-3-B	L	E	D	STEREO PEL		
* LD502	WP841300	LED, GREEN	HFG203PJW-3-B	L	E	D	STEREO AFL		
* LD503	WP841300	LED, GREEN	HFG203PJW-3-B	L	E	D	MONO AFL		
* LD504	WP841400	LED, YELLOW	HFY103PJW-3-B	L	E	D	STEREO ON		
* LD505	WP841400	LED, YELLOW	HFY103PJW-3-B	L	E	D	MONO ON		
* LD506	WP841200	LED, RED	HFR203PJW-3-B	L	E	D	MONO PEAK		
* LD507	WP841400	LED, YELLOW	HFY103PJW-3-B	L	E	D	MONO 0		
* LD508	WP841300	LED, GREEN	HFG203PJW-3-B	L	E	D	MONO -20		
* LD509	WP841400	LED, YELLOW	HFY103PJW-3-B	L	E	D	MONITOR PFL		
* LD510	WP841300	LED, GREEN	HFG203PJW-3-B	L	E	D	MONITOR AFL		
LD601	WF715500	LED LEVEL MATER	HE24RYGVB	L	E	D	MONITOR		
LD602	WF715500	LED LEVEL MATER	HE24RYGVB	L	E	D	STEREO		
Q101	VV556400	TRANSISTOR	2SC2412K Q,R,S TP	ト	ラ	ン	ジ	ス	タ
Q102	VV556400	TRANSISTOR	2SC2412K Q,R,S TP	ト	ラ	ン	ジ	ス	タ
Q103	VV556500	TRANSISTOR	2SA1037AK Q,R,S TP	ト	ラ	ン	ジ	ス	タ
-107	VV556500	TRANSISTOR	2SA1037AK Q,R,S TP	ト	ラ	ン	ジ	ス	タ
Q201	VV556400	TRANSISTOR	2SC2412K Q,R,S TP	ト	ラ	ン	ジ	ス	タ
Q202	VV556400	TRANSISTOR	2SC2412K Q,R,S TP	ト	ラ	ン	ジ	ス	タ
Q203	VV556500	TRANSISTOR	2SA1037AK Q,R,S TP	ト	ラ	ン	ジ	ス	タ
-207	VV556500	TRANSISTOR	2SA1037AK Q,R,S TP	ト	ラ	ン	ジ	ス	タ
Q301	VV556400	TRANSISTOR	2SC2412K Q,R,S TP	ト	ラ	ン	ジ	ス	タ
Q302	VV556500	TRANSISTOR	2SA1037AK Q,R,S TP	ト	ラ	ン	ジ	ス	タ
-306	VV556500	TRANSISTOR	2SA1037AK Q,R,S TP	ト	ラ	ン	ジ	ス	タ
Q401	VV556400	TRANSISTOR	2SC2412K Q,R,S TP	ト	ラ	ン	ジ	ス	タ
Q402	VV556500	TRANSISTOR	2SA1037AK Q,R,S TP	ト	ラ	ン	ジ	ス	タ
-406	VV556500	TRANSISTOR	2SA1037AK Q,R,S TP	ト	ラ	ン	ジ	ス	タ
Q501	VV556500	TRANSISTOR	2SA1037AK Q,R,S TP	ト	ラ	ン	ジ	ス	タ
Q502	VV556500	TRANSISTOR	2SA1037AK Q,R,S TP	ト	ラ	ン	ジ	ス	タ
Q503	VV556400	TRANSISTOR	2SC2412K Q,R,S TP	ト	ラ	ン	ジ	ス	タ
Q504	VV556400	TRANSISTOR	2SC2412K Q,R,S TP	ト	ラ	ン	ジ	ス	タ
Q505	VV556500	TRANSISTOR	2SA1037AK Q,R,S TP	ト	ラ	ン	ジ	ス	タ
Q601	IA101590	TRANSISTOR	2SA1015 O,Y TP	ト	ラ	ン	ジ	ス	タ
-608	IA101590	TRANSISTOR	2SA1015 O,Y TP	ト	ラ	ン	ジ	ス	タ
Q601	WB228700	TRANSISTOR	KTA1266 Y-AT TP	ト	ラ	ン	ジ	ス	タ
-608	WB228700	TRANSISTOR	KTA1266 Y-AT TP	ト	ラ	ン	ジ	ス	タ
R101	RD355220	CHIP RESISTOR 1/16W	220.0 63M J RECT.	チ	ッ	ブ	抵	抗	
-104	RD355220	CHIP RESISTOR 1/16W	220.0 63M J RECT.	チ	ッ	ブ	抵	抗	
R105	RF457470	CHIP RESISTOR 1/16W	47.0K D RECT.	チ	ッ	ブ	抵	抗	
-108	RF457470	CHIP RESISTOR 1/16W	47.0K D RECT.	チ	ッ	ブ	抵	抗	
R109	RD355220	CHIP RESISTOR 1/16W	220.0 63M J RECT.	チ	ッ	ブ	抵	抗	
-112	RD355220	CHIP RESISTOR 1/16W	220.0 63M J RECT.	チ	ッ	ブ	抵	抗	
R113	RF456220	CHIP RESISTOR 1/16W	2.2K D RECT.	チ	ッ	ブ	抵	抗	
-116	RF456220	CHIP RESISTOR 1/16W	2.2K D RECT.	チ	ッ	ブ	抵	抗	
R117	RF45691R	CHIP RESISTOR 1/16W	9.1K D RECT.	チ	ッ	ブ	抵	抗	01
-120	RF45691R	CHIP RESISTOR 1/16W	9.1K D RECT.	チ	ッ	ブ	抵	抗	01
R121	RD358100	CHIP RESISTOR 1/16W	100.0K 63M J RECT.	チ	ッ	ブ	抵	抗	
-124	RD358100	CHIP RESISTOR 1/16W	100.0K 63M J RECT.	チ	ッ	ブ	抵	抗	
R125	RD357100	CHIP RESISTOR 1/16W	10.0K 63M J RECT.	チ	ッ	ブ	抵	抗	01
R126	RD356120	CHIP RESISTOR 1/16W	1.2K 63M J RECT.	チ	ッ	ブ	抵	抗	
R127	RD355150	CHIP RESISTOR 1/16W	150.0 63M J RECT.	チ	ッ	ブ	抵	抗	
R128	RD358100	CHIP RESISTOR 1/16W	100.0K 63M J RECT.	チ	ッ	ブ	抵	抗	
-131	RD358100	CHIP RESISTOR 1/16W	100.0K 63M J RECT.	チ	ッ	ブ	抵	抗	
R132	RD357100	CHIP RESISTOR 1/16W	10.0K 63M J RECT.	チ	ッ	ブ	抵	抗	01
R133	RD356120	CHIP RESISTOR 1/16W	1.2K 63M J RECT.	チ	ッ	ブ	抵	抗	
R134	RD355150	CHIP RESISTOR 1/16W	150.0 63M J RECT.	チ	ッ	ブ	抵	抗	
R135	RD35747R	CHIP RESISTOR 1/16W	47.0K 63M J RECT.	チ	ッ	ブ	抵	抗	01
R136	RF457560	CHIP RESISTOR 1/16W	56.0K D RECT.	チ	ッ	ブ	抵	抗	01
-139	RF457560	CHIP RESISTOR 1/16W	56.0K D RECT.	チ	ッ	ブ	抵	抗	01
R140	RD35747R	CHIP RESISTOR 1/16W	47.0K 63M J RECT.	チ	ッ	ブ	抵	抗	01
R141	RF457560	CHIP RESISTOR 1/16W	56.0K D RECT.	チ	ッ	ブ	抵	抗	01
-144	RF457560	CHIP RESISTOR 1/16W	56.0K D RECT.	チ	ッ	ブ	抵	抗	01
R145	RF457270	CHIP RESISTOR 1/16W	27.0K D RECT.	チ	ッ	ブ	抵	抗	
-160	RF457270	CHIP RESISTOR 1/16W	27.0K D RECT.	チ	ッ	ブ	抵	抗	
R161	RF457470	CHIP RESISTOR 1/16W	47.0K D RECT.	チ	ッ	ブ	抵	抗	
-164	RF457470	CHIP RESISTOR 1/16W	47.0K D RECT.	チ	ッ	ブ	抵	抗	

*: New Parts

RANK: Japan only

MAS2

REF NO.	PART NO.	DESCRIPTION		部	品	名	REMARKS	QTY	RANK
R165	RD356150	CHIP RESISTOR 1/16W	1.5K 63M J RECT.	チ	ッ	ブ 抵 抗			
-168	RD356150	CHIP RESISTOR 1/16W	1.5K 63M J RECT.	チ	ッ	ブ 抵 抗			
R173	RF457560	CHIP RESISTOR 1/16W	56.0K D RECT.	チ	ッ	ブ 抵 抗			01
R174	RF457470	CHIP RESISTOR 1/16W	47.0K D RECT.	チ	ッ	ブ 抵 抗			
R175	RF457120	CHIP RESISTOR 1/16W	12.0K D RECT.	チ	ッ	ブ 抵 抗			
R176	RF456100	CHIP RESISTOR 1/16W	1.0K D RECT.	チ	ッ	ブ 抵 抗			
R177	RF457560	CHIP RESISTOR 1/16W	56.0K D RECT.	チ	ッ	ブ 抵 抗			01
R178	RF457470	CHIP RESISTOR 1/16W	47.0K D RECT.	チ	ッ	ブ 抵 抗			
R179	RF457120	CHIP RESISTOR 1/16W	12.0K D RECT.	チ	ッ	ブ 抵 抗			
R180	RF456100	CHIP RESISTOR 1/16W	1.0K D RECT.	チ	ッ	ブ 抵 抗			
R181	RF457560	CHIP RESISTOR 1/16W	56.0K D RECT.	チ	ッ	ブ 抵 抗			01
R182	RF457470	CHIP RESISTOR 1/16W	47.0K D RECT.	チ	ッ	ブ 抵 抗			
R183	RF457120	CHIP RESISTOR 1/16W	12.0K D RECT.	チ	ッ	ブ 抵 抗			
R184	RF456100	CHIP RESISTOR 1/16W	1.0K D RECT.	チ	ッ	ブ 抵 抗			
R185	RF457560	CHIP RESISTOR 1/16W	56.0K D RECT.	チ	ッ	ブ 抵 抗			01
R186	RF457470	CHIP RESISTOR 1/16W	47.0K D RECT.	チ	ッ	ブ 抵 抗			
R187	RF457120	CHIP RESISTOR 1/16W	12.0K D RECT.	チ	ッ	ブ 抵 抗			
R188	RF456100	CHIP RESISTOR 1/16W	1.0K D RECT.	チ	ッ	ブ 抵 抗			
R189	RD357100	CHIP RESISTOR 1/16W	10.0K 63M J RECT.	チ	ッ	ブ 抵 抗			01
-192	RD357100	CHIP RESISTOR 1/16W	10.0K 63M J RECT.	チ	ッ	ブ 抵 抗			01
R193	RD356120	CHIP RESISTOR 1/16W	1.2K 63M J RECT.	チ	ッ	ブ 抵 抗			
-196	RD356120	CHIP RESISTOR 1/16W	1.2K 63M J RECT.	チ	ッ	ブ 抵 抗			
R197	RD355150	CHIP RESISTOR 1/16W	150.0 63M J RECT.	チ	ッ	ブ 抵 抗			
-200	RD355150	CHIP RESISTOR 1/16W	150.0 63M J RECT.	チ	ッ	ブ 抵 抗			
R201	RD355220	CHIP RESISTOR 1/16W	220.0 63M J RECT.	チ	ッ	ブ 抵 抗			
-204	RD355220	CHIP RESISTOR 1/16W	220.0 63M J RECT.	チ	ッ	ブ 抵 抗			
R205	RF457470	CHIP RESISTOR 1/16W	47.0K D RECT.	チ	ッ	ブ 抵 抗			
-208	RF457470	CHIP RESISTOR 1/16W	47.0K D RECT.	チ	ッ	ブ 抵 抗			
R209	RD355220	CHIP RESISTOR 1/16W	220.0 63M J RECT.	チ	ッ	ブ 抵 抗			
-212	RD355220	CHIP RESISTOR 1/16W	220.0 63M J RECT.	チ	ッ	ブ 抵 抗			
R213	RF456220	CHIP RESISTOR 1/16W	2.2K D RECT.	チ	ッ	ブ 抵 抗			
-216	RF456220	CHIP RESISTOR 1/16W	2.2K D RECT.	チ	ッ	ブ 抵 抗			
R217	RF45691R	CHIP RESISTOR 1/16W	9.1K D RECT.	チ	ッ	ブ 抵 抗			01
-220	RF45691R	CHIP RESISTOR 1/16W	9.1K D RECT.	チ	ッ	ブ 抵 抗			01
R221	RD358100	CHIP RESISTOR 1/16W	100.0K 63M J RECT.	チ	ッ	ブ 抵 抗			
-224	RD358100	CHIP RESISTOR 1/16W	100.0K 63M J RECT.	チ	ッ	ブ 抵 抗			
R225	RD357100	CHIP RESISTOR 1/16W	10.0K 63M J RECT.	チ	ッ	ブ 抵 抗			01
R226	RD356120	CHIP RESISTOR 1/16W	1.2K 63M J RECT.	チ	ッ	ブ 抵 抗			
R227	RD355150	CHIP RESISTOR 1/16W	150.0 63M J RECT.	チ	ッ	ブ 抵 抗			
R228	RD358100	CHIP RESISTOR 1/16W	100.0K 63M J RECT.	チ	ッ	ブ 抵 抗			
-231	RD358100	CHIP RESISTOR 1/16W	100.0K 63M J RECT.	チ	ッ	ブ 抵 抗			
R232	RD357100	CHIP RESISTOR 1/16W	10.0K 63M J RECT.	チ	ッ	ブ 抵 抗			01
R233	RD356120	CHIP RESISTOR 1/16W	1.2K 63M J RECT.	チ	ッ	ブ 抵 抗			
R234	RD355150	CHIP RESISTOR 1/16W	150.0 63M J RECT.	チ	ッ	ブ 抵 抗			
R235	RD35747R	CHIP RESISTOR 1/16W	47.0K 63M J RECT.	チ	ッ	ブ 抵 抗			01
R236	RF457560	CHIP RESISTOR 1/16W	56.0K D RECT.	チ	ッ	ブ 抵 抗			01
-239	RF457560	CHIP RESISTOR 1/16W	56.0K D RECT.	チ	ッ	ブ 抵 抗			01
R240	RD35747R	CHIP RESISTOR 1/16W	47.0K 63M J RECT.	チ	ッ	ブ 抵 抗			01
R241	RF457560	CHIP RESISTOR 1/16W	56.0K D RECT.	チ	ッ	ブ 抵 抗			01
-244	RF457560	CHIP RESISTOR 1/16W	56.0K D RECT.	チ	ッ	ブ 抵 抗			01
R245	RF457270	CHIP RESISTOR 1/16W	27.0K D RECT.	チ	ッ	ブ 抵 抗			
-260	RF457270	CHIP RESISTOR 1/16W	27.0K D RECT.	チ	ッ	ブ 抵 抗			
R261	RF457470	CHIP RESISTOR 1/16W	47.0K D RECT.	チ	ッ	ブ 抵 抗			
-264	RF457470	CHIP RESISTOR 1/16W	47.0K D RECT.	チ	ッ	ブ 抵 抗			
R265	RD356150	CHIP RESISTOR 1/16W	1.5K 63M J RECT.	チ	ッ	ブ 抵 抗			
-268	RD356150	CHIP RESISTOR 1/16W	1.5K 63M J RECT.	チ	ッ	ブ 抵 抗			
R273	RF457560	CHIP RESISTOR 1/16W	56.0K D RECT.	チ	ッ	ブ 抵 抗			01
R274	RF457470	CHIP RESISTOR 1/16W	47.0K D RECT.	チ	ッ	ブ 抵 抗			
R275	RF457120	CHIP RESISTOR 1/16W	12.0K D RECT.	チ	ッ	ブ 抵 抗			
R276	RF456100	CHIP RESISTOR 1/16W	1.0K D RECT.	チ	ッ	ブ 抵 抗			
R277	RF457560	CHIP RESISTOR 1/16W	56.0K D RECT.	チ	ッ	ブ 抵 抗			01
R278	RF457470	CHIP RESISTOR 1/16W	47.0K D RECT.	チ	ッ	ブ 抵 抗			
R279	RF457120	CHIP RESISTOR 1/16W	12.0K D RECT.	チ	ッ	ブ 抵 抗			
R280	RF456100	CHIP RESISTOR 1/16W	1.0K D RECT.	チ	ッ	ブ 抵 抗			
R281	RF457560	CHIP RESISTOR 1/16W	56.0K D RECT.	チ	ッ	ブ 抵 抗			01
R282	RF457470	CHIP RESISTOR 1/16W	47.0K D RECT.	チ	ッ	ブ 抵 抗			
R283	RF457120	CHIP RESISTOR 1/16W	12.0K D RECT.	チ	ッ	ブ 抵 抗			
R284	RF456100	CHIP RESISTOR 1/16W	1.0K D RECT.	チ	ッ	ブ 抵 抗			
R285	RF457560	CHIP RESISTOR 1/16W	56.0K D RECT.	チ	ッ	ブ 抵 抗			01
R286	RF457470	CHIP RESISTOR 1/16W	47.0K D RECT.	チ	ッ	ブ 抵 抗			

*: New Parts

RANK: Japan only

MAS2

REF NO.	PART NO.	DESCRIPTION		部	品	名	REMARKS	QTY	RANK
R287	RF457120	CHIP RESISTOR 1/16W	12.0K D RECT.	チ	ッ	ブ	抵抗		
R288	RF456100	CHIP RESISTOR 1/16W	1.0K D RECT.	チ	ッ	ブ	抵抗		
R289	RD357100	CHIP RESISTOR 1/16W	10.0K 63M J RECT.	チ	ッ	ブ	抵抗		01
-292	RD357100	CHIP RESISTOR 1/16W	10.0K 63M J RECT.	チ	ッ	ブ	抵抗		01
R293	RD356120	CHIP RESISTOR 1/16W	1.2K 63M J RECT.	チ	ッ	ブ	抵抗		
-296	RD356120	CHIP RESISTOR 1/16W	1.2K 63M J RECT.	チ	ッ	ブ	抵抗		
R297	RD355150	CHIP RESISTOR 1/16W	150.0 63M J RECT.	チ	ッ	ブ	抵抗		
-300	RD355150	CHIP RESISTOR 1/16W	150.0 63M J RECT.	チ	ッ	ブ	抵抗		
R301	RD355220	CHIP RESISTOR 1/16W	220.0 63M J RECT.	チ	ッ	ブ	抵抗		
-304	RD355220	CHIP RESISTOR 1/16W	220.0 63M J RECT.	チ	ッ	ブ	抵抗		
R305	RF457470	CHIP RESISTOR 1/16W	47.0K D RECT.	チ	ッ	ブ	抵抗		
-308	RF457470	CHIP RESISTOR 1/16W	47.0K D RECT.	チ	ッ	ブ	抵抗		
R309	RD355220	CHIP RESISTOR 1/16W	220.0 63M J RECT.	チ	ッ	ブ	抵抗		
-312	RD355220	CHIP RESISTOR 1/16W	220.0 63M J RECT.	チ	ッ	ブ	抵抗		
R313	RF456390	CHIP RESISTOR 1/16W	3.9K : D RECT.	チ	ッ	ブ	抵抗		
-316	RF456390	CHIP RESISTOR 1/16W	3.9K : D RECT.	チ	ッ	ブ	抵抗		
R317	RF45691R	CHIP RESISTOR 1/16W	9.1K : D RECT.	チ	ッ	ブ	抵抗		01
-320	RF45691R	CHIP RESISTOR 1/16W	9.1K : D RECT.	チ	ッ	ブ	抵抗		01
R321	RD358100	CHIP RESISTOR 1/16W	100.0K 63M J RECT.	チ	ッ	ブ	抵抗		
-324	RD358100	CHIP RESISTOR 1/16W	100.0K 63M J RECT.	チ	ッ	ブ	抵抗		
R325	RD355150	CHIP RESISTOR 1/16W	150.0 63M J RECT.	チ	ッ	ブ	抵抗		
R326	RD357100	CHIP RESISTOR 1/16W	10.0K 63M J RECT.	チ	ッ	ブ	抵抗		01
R327	RD356120	CHIP RESISTOR 1/16W	1.2K 63M J RECT.	チ	ッ	ブ	抵抗		
R328	RD35747R	CHIP RESISTOR 1/16W	47.0K 63M J RECT.	チ	ッ	ブ	抵抗		
R329	RD35747R	CHIP RESISTOR 1/16W	47.0K 63M J RECT.	チ	ッ	ブ	抵抗		01
R330	RF457180	CHIP RESISTOR 1/16W	18.0K D RECT.	チ	ッ	ブ	抵抗		
-337	RF457180	CHIP RESISTOR 1/16W	18.0K D RECT.	チ	ッ	ブ	抵抗		
R338	RD356150	CHIP RESISTOR 1/16W	1.5K 63M J RECT.	チ	ッ	ブ	抵抗		
-341	RD356150	CHIP RESISTOR 1/16W	1.5K 63M J RECT.	チ	ッ	ブ	抵抗		
R346	RF458100	CHIP RESISTOR 1/16W	100.0K D RECT.	チ	ッ	ブ	抵抗		
R347	RF457330	CHIP RESISTOR 1/16W	33.0K D RECT.	チ	ッ	ブ	抵抗		
R348	RF456820	CHIP RESISTOR 1/16W	8.2K D RECT.	チ	ッ	ブ	抵抗		
R349	RF45556R	CHIP RESISTOR 1/16W	560.0 D RECT.	チ	ッ	ブ	抵抗		
R350	RF458100	CHIP RESISTOR 1/16W	100.0K D RECT.	チ	ッ	ブ	抵抗		
R351	RF457330	CHIP RESISTOR 1/16W	33.0K D RECT.	チ	ッ	ブ	抵抗		
R352	RF456820	CHIP RESISTOR 1/16W	8.2K D RECT.	チ	ッ	ブ	抵抗		
R353	RF45556R	CHIP RESISTOR 1/16W	560.0 D RECT.	チ	ッ	ブ	抵抗		
R354	RF458100	CHIP RESISTOR 1/16W	100.0K D RECT.	チ	ッ	ブ	抵抗		
R355	RF457330	CHIP RESISTOR 1/16W	33.0K D RECT.	チ	ッ	ブ	抵抗		
R356	RF456820	CHIP RESISTOR 1/16W	8.2K D RECT.	チ	ッ	ブ	抵抗		
R357	RF45556R	CHIP RESISTOR 1/16W	560.0 D RECT.	チ	ッ	ブ	抵抗		
R358	RF458100	CHIP RESISTOR 1/16W	100.0K D RECT.	チ	ッ	ブ	抵抗		
R359	RF457330	CHIP RESISTOR 1/16W	33.0K D RECT.	チ	ッ	ブ	抵抗		
R360	RF456820	CHIP RESISTOR 1/16W	8.2K D RECT.	チ	ッ	ブ	抵抗		
R361	RF45556R	CHIP RESISTOR 1/16W	560.0 D RECT.	チ	ッ	ブ	抵抗		
R362	RD357100	CHIP RESISTOR 1/16W	10.0K 63M J RECT.	チ	ッ	ブ	抵抗		01
-365	RD357100	CHIP RESISTOR 1/16W	10.0K 63M J RECT.	チ	ッ	ブ	抵抗		01
R366	RD356120	CHIP RESISTOR 1/16W	1.2K 63M J RECT.	チ	ッ	ブ	抵抗		
-369	RD356120	CHIP RESISTOR 1/16W	1.2K 63M J RECT.	チ	ッ	ブ	抵抗		
R370	RD355150	CHIP RESISTOR 1/16W	150.0 63M J RECT.	チ	ッ	ブ	抵抗		
-373	RD355150	CHIP RESISTOR 1/16W	150.0 63M J RECT.	チ	ッ	ブ	抵抗		
R401	RD355220	CHIP RESISTOR 1/16W	220.0 63M J RECT.	チ	ッ	ブ	抵抗		
-404	RD355220	CHIP RESISTOR 1/16W	220.0 63M J RECT.	チ	ッ	ブ	抵抗		
R405	RF457470	CHIP RESISTOR 1/16W	47.0K D RECT.	チ	ッ	ブ	抵抗		
-408	RF457470	CHIP RESISTOR 1/16W	47.0K D RECT.	チ	ッ	ブ	抵抗		
R409	RD355220	CHIP RESISTOR 1/16W	220.0 63M J RECT.	チ	ッ	ブ	抵抗		
-412	RD355220	CHIP RESISTOR 1/16W	220.0 63M J RECT.	チ	ッ	ブ	抵抗		
R413	RF456390	CHIP RESISTOR 1/16W	3.9K : D RECT.	チ	ッ	ブ	抵抗		
-416	RF456390	CHIP RESISTOR 1/16W	3.9K : D RECT.	チ	ッ	ブ	抵抗		
R417	RF45691R	CHIP RESISTOR 1/16W	9.1K : D RECT.	チ	ッ	ブ	抵抗		01
-420	RF45691R	CHIP RESISTOR 1/16W	9.1K : D RECT.	チ	ッ	ブ	抵抗		01
R421	RD358100	CHIP RESISTOR 1/16W	100.0K 63M J RECT.	チ	ッ	ブ	抵抗		
-424	RD358100	CHIP RESISTOR 1/16W	100.0K 63M J RECT.	チ	ッ	ブ	抵抗		
R425	RD355150	CHIP RESISTOR 1/16W	150.0 63M J RECT.	チ	ッ	ブ	抵抗		
R426	RD357100	CHIP RESISTOR 1/16W	10.0K 63M J RECT.	チ	ッ	ブ	抵抗		01
R427	RD356120	CHIP RESISTOR 1/16W	1.2K 63M J RECT.	チ	ッ	ブ	抵抗		
R428	RD35747R	CHIP RESISTOR 1/16W	47.0K 63M J RECT.	チ	ッ	ブ	抵抗		01
R429	RD35747R	CHIP RESISTOR 1/16W	47.0K 63M J RECT.	チ	ッ	ブ	抵抗		01
R430	RF457180	CHIP RESISTOR 1/16W	18.0K D RECT.	チ	ッ	ブ	抵抗		
-437	RF457180	CHIP RESISTOR 1/16W	18.0K D RECT.	チ	ッ	ブ	抵抗		

*: New Parts

RANK: Japan only

MAS2

REF NO.	PART NO.	DESCRIPTION	部	品	名	REMARKS	QTY	RANK
R438	RD356150	CHIP RESISTOR 1/16W	1.5K 63M J RECT.	チ	ツ	ブ 抵 抗		
-441	RD356150	CHIP RESISTOR 1/16W	1.5K 63M J RECT.	チ	ツ	ブ 抵 抗		
R446	RF458100	CHIP RESISTOR 1/16W	100.0K D RECT.	チ	ツ	ブ 抵 抗		
R447	RF457330	CHIP RESISTOR 1/16W	33.0K D RECT.	チ	ツ	ブ 抵 抗		
R448	RF456820	CHIP RESISTOR 1/16W	8.2K D RECT.	チ	ツ	ブ 抵 抗		
R449	RF45556R	CHIP RESISTOR 1/16W	560.0 D RECT.	チ	ツ	ブ 抵 抗		
R450	RF458100	CHIP RESISTOR 1/16W	100.0K D RECT.	チ	ツ	ブ 抵 抗		
R451	RF457330	CHIP RESISTOR 1/16W	33.0K D RECT.	チ	ツ	ブ 抵 抗		
R452	RF456820	CHIP RESISTOR 1/16W	8.2K D RECT.	チ	ツ	ブ 抵 抗		
R453	RF45556R	CHIP RESISTOR 1/16W	560.0 D RECT.	チ	ツ	ブ 抵 抗		
R454	RF458100	CHIP RESISTOR 1/16W	100.0K D RECT.	チ	ツ	ブ 抵 抗		
R455	RF457330	CHIP RESISTOR 1/16W	33.0K D RECT.	チ	ツ	ブ 抵 抗		
R456	RF456820	CHIP RESISTOR 1/16W	8.2K D RECT.	チ	ツ	ブ 抵 抗		
R457	RF45556R	CHIP RESISTOR 1/16W	560.0 D RECT.	チ	ツ	ブ 抵 抗		
R458	RF458100	CHIP RESISTOR 1/16W	100.0K D RECT.	チ	ツ	ブ 抵 抗		
R459	RF457330	CHIP RESISTOR 1/16W	33.0K D RECT.	チ	ツ	ブ 抵 抗		
R460	RF456820	CHIP RESISTOR 1/16W	8.2K D RECT.	チ	ツ	ブ 抵 抗		
R461	RF45556R	CHIP RESISTOR 1/16W	560.0 D RECT.	チ	ツ	ブ 抵 抗		
R462	RD357100	CHIP RESISTOR 1/16W	10.0K 63M J RECT.	チ	ツ	ブ 抵 抗		01
-465	RD357100	CHIP RESISTOR 1/16W	10.0K 63M J RECT.	チ	ツ	ブ 抵 抗		01
R466	RD356120	CHIP RESISTOR 1/16W	1.2K 63M J RECT.	チ	ツ	ブ 抵 抗		
-469	RD356120	CHIP RESISTOR 1/16W	1.2K 63M J RECT.	チ	ツ	ブ 抵 抗		
R470	RD355150	CHIP RESISTOR 1/16W	150.0 63M J RECT.	チ	ツ	ブ 抵 抗		
-473	RD355150	CHIP RESISTOR 1/16W	150.0 63M J RECT.	チ	ツ	ブ 抵 抗		
R501	RD35747R	CHIP RESISTOR 1/16W	47.0K 63M J RECT.	チ	ツ	ブ 抵 抗		01
R502	RD15627R	CHIP RESISTOR 1/4W	2.7K 1/4 J TP	チ	ツ	ブ 抵 抗		
R503	RF457180	CHIP RESISTOR 1/16W	18.0K D RECT.	チ	ツ	ブ 抵 抗		
R504	RF457180	CHIP RESISTOR 1/16W	18.0K D RECT.	チ	ツ	ブ 抵 抗		
R505	RD35747R	CHIP RESISTOR 1/16W	47.0K 63M J RECT.	チ	ツ	ブ 抵 抗		01
R506	RF457180	CHIP RESISTOR 1/16W	18.0K D RECT.	チ	ツ	ブ 抵 抗		
-509	RF457180	CHIP RESISTOR 1/16W	18.0K D RECT.	チ	ツ	ブ 抵 抗		
R510	RD35747R	CHIP RESISTOR 1/16W	47.0K 63M J RECT.	チ	ツ	ブ 抵 抗		01
R511	RD35747R	CHIP RESISTOR 1/16W	47.0K 63M J RECT.	チ	ツ	ブ 抵 抗		01
R512	RD357100	CHIP RESISTOR 1/16W	10.0K 63M J RECT.	チ	ツ	ブ 抵 抗		01
R513	RD356120	CHIP RESISTOR 1/16W	1.2K 63M J RECT.	チ	ツ	ブ 抵 抗		
R514	RD355150	CHIP RESISTOR 1/16W	150.0 63M J RECT.	チ	ツ	ブ 抵 抗		
R515	RD355220	CHIP RESISTOR 1/16W	220.0 63M J RECT.	チ	ツ	ブ 抵 抗		
-517	RD355220	CHIP RESISTOR 1/16W	220.0 63M J RECT.	チ	ツ	ブ 抵 抗		
R518	RF457470	CHIP RESISTOR 1/16W	47.0K D RECT.	チ	ツ	ブ 抵 抗		
-520	RF457470	CHIP RESISTOR 1/16W	47.0K D RECT.	チ	ツ	ブ 抵 抗		
R521	RD355220	CHIP RESISTOR 1/16W	220.0 63M J RECT.	チ	ツ	ブ 抵 抗		
-523	RD355220	CHIP RESISTOR 1/16W	220.0 63M J RECT.	チ	ツ	ブ 抵 抗		
R524	RF456390	CHIP RESISTOR 1/16W	3.9K : D RECT.	チ	ツ	ブ 抵 抗		
-526	RF456390	CHIP RESISTOR 1/16W	3.9K : D RECT.	チ	ツ	ブ 抵 抗		
R527	RF45691R	CHIP RESISTOR 1/16W	9.1K : D RECT.	チ	ツ	ブ 抵 抗		01
-529	RF45691R	CHIP RESISTOR 1/16W	9.1K : D RECT.	チ	ツ	ブ 抵 抗		01
R530	RD358100	CHIP RESISTOR 1/16W	100.0K 63M J RECT.	チ	ツ	ブ 抵 抗		
-532	RD358100	CHIP RESISTOR 1/16W	100.0K 63M J RECT.	チ	ツ	ブ 抵 抗		
R533	RD357100	CHIP RESISTOR 1/16W	10.0K 63M J RECT.	チ	ツ	ブ 抵 抗		01
R534	RD356120	CHIP RESISTOR 1/16W	1.2K 63M J RECT.	チ	ツ	ブ 抵 抗		
R535	RD355150	CHIP RESISTOR 1/16W	150.0 63M J RECT.	チ	ツ	ブ 抵 抗		
R536	RD358100	CHIP RESISTOR 1/16W	100.0K 63M J RECT.	チ	ツ	ブ 抵 抗		
-538	RD358100	CHIP RESISTOR 1/16W	100.0K 63M J RECT.	チ	ツ	ブ 抵 抗		
R539	RF457470	CHIP RESISTOR 1/16W	47.0K D RECT.	チ	ツ	ブ 抵 抗		
R564	RD356150	CHIP RESISTOR 1/16W	1.5K 63M J RECT.	チ	ツ	ブ 抵 抗		
R572	RF458100	CHIP RESISTOR 1/16W	100.0K D RECT.	チ	ツ	ブ 抵 抗		
R573	RF457330	CHIP RESISTOR 1/16W	33.0K D RECT.	チ	ツ	ブ 抵 抗		
R574	RF456820	CHIP RESISTOR 1/16W	8.2K D RECT.	チ	ツ	ブ 抵 抗		
R575	RF45556R	CHIP RESISTOR 1/16W	560.0 D RECT.	チ	ツ	ブ 抵 抗		
R582	RD357100	CHIP RESISTOR 1/16W	10.0K 63M J RECT.	チ	ツ	ブ 抵 抗		01
R583	RD356120	CHIP RESISTOR 1/16W	1.2K 63M J RECT.	チ	ツ	ブ 抵 抗		
R584	RD355150	CHIP RESISTOR 1/16W	150.0 63M J RECT.	チ	ツ	ブ 抵 抗		
R585	RD15627R	CHIP RESISTOR 1/4W	2.7K 1/4 J TP	チ	ツ	ブ 抵 抗		
R586	RD15627R	CHIP RESISTOR 1/4W	2.7K 1/4 J TP	チ	ツ	ブ 抵 抗		
R587	RD355220	CHIP RESISTOR 1/16W	220.0 63M J RECT.	チ	ツ	ブ 抵 抗		
R588	RD355220	CHIP RESISTOR 1/16W	220.0 63M J RECT.	チ	ツ	ブ 抵 抗		
R589	RF457180	CHIP RESISTOR 1/16W	18.0K D RECT.	チ	ツ	ブ 抵 抗		
R590	RF457180	CHIP RESISTOR 1/16W	18.0K D RECT.	チ	ツ	ブ 抵 抗		
R591	RD355220	CHIP RESISTOR 1/16W	220.0 63M J RECT.	チ	ツ	ブ 抵 抗		
R592	RD355220	CHIP RESISTOR 1/16W	220.0 63M J RECT.	チ	ツ	ブ 抵 抗		

*: New Parts

RANK: Japan only

MAS2

REF NO.	PART NO.	DESCRIPTION		部	品	名	REMARKS	QTY	RANK
R593	RF456680	CHIP RESISTOR 1/16W	6.8K D RECT.	チ	ッ	ブ	抵抗		
R594	RF456680	CHIP RESISTOR 1/16W	6.8K D RECT.	チ	ッ	ブ	抵抗		
R595	RF457150	CHIP RESISTOR 1/16W	15.0K D 1608	チ	ッ	ブ	抵抗		01
R596	RF457150	CHIP RESISTOR 1/16W	15.0K D 1608	チ	ッ	ブ	抵抗		01
R597	RD358100	CHIP RESISTOR 1/16W	100.0K 63M J RECT.	チ	ッ	ブ	抵抗		
R598	RD358100	CHIP RESISTOR 1/16W	100.0K 63M J RECT.	チ	ッ	ブ	抵抗		
R601	RF457220	CHIP RESISTOR 1/16W	22.0K D RECT.	チ	ッ	ブ	抵抗		
R602	RF457220	CHIP RESISTOR 1/16W	22.0K D RECT.	チ	ッ	ブ	抵抗		
R603	RD355220	CHIP RESISTOR 1/16W	220.0 63M J RECT.	チ	ッ	ブ	抵抗		
R604	RD355220	CHIP RESISTOR 1/16W	220.0 63M J RECT.	チ	ッ	ブ	抵抗		
R605	RF457220	CHIP RESISTOR 1/16W	22.0K D RECT.	チ	ッ	ブ	抵抗		
R606	RF457220	CHIP RESISTOR 1/16W	22.0K D RECT.	チ	ッ	ブ	抵抗		
R607	RD355680	CHIP RESISTOR 1/16W	680.0 63M J RECT.	チ	ッ	ブ	抵抗		
R608	RD355680	CHIP RESISTOR 1/16W	680.0 63M J RECT.	チ	ッ	ブ	抵抗		
R609	RF457100	CHIP RESISTOR 1/16W	10.0K D RECT.	チ	ッ	ブ	抵抗		
R610	RF456100	CHIP RESISTOR 1/16W	1.0K D RECT.	チ	ッ	ブ	抵抗		
R611	RF455820	CHIP RESISTOR 1/16W	820.0 D RECT.	チ	ッ	ブ	抵抗		01
R612	RF455470	CHIP RESISTOR 1/16W	470.0 D RECT.	チ	ッ	ブ	抵抗		
R613	RF455330	CHIP RESISTOR 1/16W	330.0 D RECT.	チ	ッ	ブ	抵抗		
R614	RF455220	CHIP RESISTOR 1/16W	220.0 D RECT.	チ	ッ	ブ	抵抗		
R615	RF455150	CHIP RESISTOR 1/16W	150.0 D RECT.	チ	ッ	ブ	抵抗		01
R616	RF455150	CHIP RESISTOR 1/16W	150.0 D RECT.	チ	ッ	ブ	抵抗		01
R617	RF455100	CHIP RESISTOR 1/16W	100.0 D RECT.	チ	ッ	ブ	抵抗		
R618	RF45456R	CHIP RESISTOR 1/16W	56.0 D 1608	チ	ッ	ブ	抵抗		01
R619	RF454330	CHIP RESISTOR 1/16W	33.0 D RECT.	チ	ッ	ブ	抵抗		
R620	RF454180	CHIP RESISTOR 1/16W	18.0 D RECT.	チ	ッ	ブ	抵抗		
R621	RF454220	CHIP RESISTOR 1/16W	22.0 D RECT.	チ	ッ	ブ	抵抗		01
R622	RF457100	CHIP RESISTOR 1/16W	10.0K D RECT.	チ	ッ	ブ	抵抗		
R623	RF456100	CHIP RESISTOR 1/16W	1.0K D RECT.	チ	ッ	ブ	抵抗		
R624	RF455820	CHIP RESISTOR 1/16W	820.0 D RECT.	チ	ッ	ブ	抵抗		01
R625	RF455470	CHIP RESISTOR 1/16W	470.0 D RECT.	チ	ッ	ブ	抵抗		
R626	RF455330	CHIP RESISTOR 1/16W	330.0 D RECT.	チ	ッ	ブ	抵抗		
R627	RF455220	CHIP RESISTOR 1/16W	220.0 D RECT.	チ	ッ	ブ	抵抗		
R628	RF455150	CHIP RESISTOR 1/16W	150.0 D RECT.	チ	ッ	ブ	抵抗		01
R629	RF455150	CHIP RESISTOR 1/16W	150.0 D RECT.	チ	ッ	ブ	抵抗		01
R630	RF455100	CHIP RESISTOR 1/16W	100.0 D RECT.	チ	ッ	ブ	抵抗		
R631	RF45456R	CHIP RESISTOR 1/16W	56.0 D 1608	チ	ッ	ブ	抵抗		01
R632	RF454330	CHIP RESISTOR 1/16W	33.0 D RECT.	チ	ッ	ブ	抵抗		
R633	RF454180	CHIP RESISTOR 1/16W	18.0 D RECT.	チ	ッ	ブ	抵抗		
R634	RF454220	CHIP RESISTOR 1/16W	22.0 D RECT.	チ	ッ	ブ	抵抗		01
R635	RD355150	CHIP RESISTOR 1/16W	150.0 63M J RECT.	チ	ッ	ブ	抵抗		
R636	RD355100	CHIP RESISTOR 1/16W	100.0 63M J RECT.	チ	ッ	ブ	抵抗		
R637	RD355100	CHIP RESISTOR 1/16W	100.0 63M J RECT.	チ	ッ	ブ	抵抗		
R638	RD355150	CHIP RESISTOR 1/16W	150.0 63M J RECT.	チ	ッ	ブ	抵抗		
R639	RD356120	CHIP RESISTOR 1/16W	1.2K 63M J RECT.	チ	ッ	ブ	抵抗		
R640	RD15722R	CHIP RESISTOR 1/4W	22.0K 1/4 J TP	チ	ッ	ブ	抵抗		01
R641	RD356120	CHIP RESISTOR 1/16W	1.2K 63M J RECT.	チ	ッ	ブ	抵抗		
R642	RD15722R	CHIP RESISTOR 1/4W	22.0K 1/4 J TP	チ	ッ	ブ	抵抗		01
R643	RD356120	CHIP RESISTOR 1/16W	1.2K 63M J RECT.	チ	ッ	ブ	抵抗		
R644	RD15722R	CHIP RESISTOR 1/4W	22.0K 1/4 J TP	チ	ッ	ブ	抵抗		01
R645	RD356120	CHIP RESISTOR 1/16W	1.2K 63M J RECT.	チ	ッ	ブ	抵抗		
R646	RD15722R	CHIP RESISTOR 1/4W	22.0K 1/4 J TP	チ	ッ	ブ	抵抗		01
R647	RF457220	CHIP RESISTOR 1/16W	22.0K D RECT.	チ	ッ	ブ	抵抗		
R648	RF457220	CHIP RESISTOR 1/16W	22.0K D RECT.	チ	ッ	ブ	抵抗		
R649	RD355220	CHIP RESISTOR 1/16W	220.0 63M J RECT.	チ	ッ	ブ	抵抗		
R650	RD355220	CHIP RESISTOR 1/16W	220.0 63M J RECT.	チ	ッ	ブ	抵抗		
R651	RF457220	CHIP RESISTOR 1/16W	22.0K D RECT.	チ	ッ	ブ	抵抗		
R652	RF457220	CHIP RESISTOR 1/16W	22.0K D RECT.	チ	ッ	ブ	抵抗		
R653	RD355680	CHIP RESISTOR 1/16W	680.0 63M J RECT.	チ	ッ	ブ	抵抗		
R654	RD355680	CHIP RESISTOR 1/16W	680.0 63M J RECT.	チ	ッ	ブ	抵抗		
R655	RF457100	CHIP RESISTOR 1/16W	10.0K D RECT.	チ	ッ	ブ	抵抗		
R656	RF456100	CHIP RESISTOR 1/16W	1.0K D RECT.	チ	ッ	ブ	抵抗		
R657	RF455820	CHIP RESISTOR 1/16W	820.0 D RECT.	チ	ッ	ブ	抵抗		01
R658	RF455470	CHIP RESISTOR 1/16W	470.0 D RECT.	チ	ッ	ブ	抵抗		
R659	RF455330	CHIP RESISTOR 1/16W	330.0 D RECT.	チ	ッ	ブ	抵抗		
R660	RF455220	CHIP RESISTOR 1/16W	220.0 D RECT.	チ	ッ	ブ	抵抗		
R661	RF455150	CHIP RESISTOR 1/16W	150.0 D RECT.	チ	ッ	ブ	抵抗		01
R662	RF455150	CHIP RESISTOR 1/16W	150.0 D RECT.	チ	ッ	ブ	抵抗		01
R663	RF455100	CHIP RESISTOR 1/16W	100.0 D RECT.	チ	ッ	ブ	抵抗		
R664	RF45456R	CHIP RESISTOR 1/16W	56.0 D 1608	チ	ッ	ブ	抵抗		01

*: New Parts

RANK: Japan only

MAS2

REF NO.	PART NO.	DESCRIPTION	部 品 名	REMARKS	QTY	RANK
* R665	RF454330	CHIP RESISTOR 1/16W	33.0 D RECT.	チ ッ プ 抵 抗		
* R666	RF454180	CHIP RESISTOR 1/16W	18.0 D RECT.	チ ッ プ 抵 抗		
R667	RF454220	CHIP RESISTOR 1/16W	22.0 D RECT.	チ ッ プ 抵 抗		01
R668	RF457100	CHIP RESISTOR 1/16W	10.0K D RECT.	チ ッ プ 抵 抗		
R669	RF456100	CHIP RESISTOR 1/16W	1.0K D RECT.	チ ッ プ 抵 抗		
R670	RF455820	CHIP RESISTOR 1/16W	820.0 D RECT.	チ ッ プ 抵 抗		01
R671	RF455470	CHIP RESISTOR 1/16W	470.0 D RECT.	チ ッ プ 抵 抗		
R672	RF455330	CHIP RESISTOR 1/16W	330.0 D RECT.	チ ッ プ 抵 抗		
R673	RF455220	CHIP RESISTOR 1/16W	220.0 D RECT.	チ ッ プ 抵 抗		
R674	RF455150	CHIP RESISTOR 1/16W	150.0 D RECT.	チ ッ プ 抵 抗		01
R675	RF455150	CHIP RESISTOR 1/16W	150.0 D RECT.	チ ッ プ 抵 抗		01
R676	RF455100	CHIP RESISTOR 1/16W	100.0 D RECT.	チ ッ プ 抵 抗		
R677	RF45456R	CHIP RESISTOR 1/16W	56.0 D 1608	チ ッ プ 抵 抗		01
* R678	RF454330	CHIP RESISTOR 1/16W	33.0 D RECT.	チ ッ プ 抵 抗		
* R679	RF454180	CHIP RESISTOR 1/16W	18.0 D RECT.	チ ッ プ 抵 抗		
R680	RF454220	CHIP RESISTOR 1/16W	22.0 D RECT.	チ ッ プ 抵 抗		01
R681	RD355150	CHIP RESISTOR 1/16W	150.0 63M J RECT.	チ ッ プ 抵 抗		
R682	RD355100	CHIP RESISTOR 1/16W	100.0 63M J RECT.	チ ッ プ 抵 抗		
R683	RD355150	CHIP RESISTOR 1/16W	150.0 63M J RECT.	チ ッ プ 抵 抗		
R684	RD355100	CHIP RESISTOR 1/16W	100.0 63M J RECT.	チ ッ プ 抵 抗		
R685	RD356120	CHIP RESISTOR 1/16W	1.2K 63M J RECT.	チ ッ プ 抵 抗		
R686	RD15722R	CHIP RESISTOR 1/4W	22.0K 1/4 J TP	チ ッ プ 抵 抗		01
R687	RD356120	CHIP RESISTOR 1/16W	1.2K 63M J RECT.	チ ッ プ 抵 抗		
R688	RD15722R	CHIP RESISTOR 1/4W	22.0K 1/4 J TP	チ ッ プ 抵 抗		01
R689	RD356120	CHIP RESISTOR 1/16W	1.2K 63M J RECT.	チ ッ プ 抵 抗		
R690	RD15722R	CHIP RESISTOR 1/4W	22.0K 1/4 J TP	チ ッ プ 抵 抗		01
R691	RD356120	CHIP RESISTOR 1/16W	1.2K 63M J RECT.	チ ッ プ 抵 抗		
R692	RD15722R	CHIP RESISTOR 1/4W	22.0K 1/4 J TP	チ ッ プ 抵 抗		01
R701	RF457270	CHIP RESISTOR 1/16W	27.0K D RECT.	チ ッ プ 抵 抗		
-708	RF457270	CHIP RESISTOR 1/16W	27.0K D RECT.	チ ッ プ 抵 抗		
R720	RF457470	CHIP RESISTOR 1/16W	47.0K D RECT.	チ ッ プ 抵 抗		
-723	RF457470	CHIP RESISTOR 1/16W	47.0K D RECT.	チ ッ プ 抵 抗		
R728	RF457470	CHIP RESISTOR 1/16W	47.0K D RECT.	チ ッ プ 抵 抗		
-731	RF457470	CHIP RESISTOR 1/16W	47.0K D RECT.	チ ッ プ 抵 抗		
R736	RF457470	CHIP RESISTOR 1/16W	47.0K D RECT.	チ ッ プ 抵 抗		
-743	RF457470	CHIP RESISTOR 1/16W	47.0K D RECT.	チ ッ プ 抵 抗		
R748	RF457470	CHIP RESISTOR 1/16W	47.0K D RECT.	チ ッ プ 抵 抗		
-755	RF457470	CHIP RESISTOR 1/16W	47.0K D RECT.	チ ッ プ 抵 抗		
R760	RF457470	CHIP RESISTOR 1/16W	47.0K D RECT.	チ ッ プ 抵 抗		
SW101	WH918700	PUSH SWITCH	PS-22E85L-02	ブ ッ シ ュ S W	GROUP OUT 1 ON	01
SW102	WH918700	PUSH SWITCH	PS-22E85L-02	ブ ッ シ ュ S W	GROUP OUT 2 ON	01
SW103	WH918700	PUSH SWITCH	PS-22E85L-02	ブ ッ シ ュ S W	GROUP OUT 3 ON	01
SW104	WH918700	PUSH SWITCH	PS-22E85L-02	ブ ッ シ ュ S W	GROUP OUT 4 ON	01
SW105	WH918700	PUSH SWITCH	PS-22E85L-02	ブ ッ シ ュ S W	GROUP OUT 1 ST	01
SW106	WH918700	PUSH SWITCH	PS-22E85L-02	ブ ッ シ ュ S W	GROUP OUT 1 AFL	01
SW107	WH918700	PUSH SWITCH	PS-22E85L-02	ブ ッ シ ュ S W	GROUP OUT 2 ST	01
SW108	WH918700	PUSH SWITCH	PS-22E85L-02	ブ ッ シ ュ S W	GROUP OUT 2 AFL	01
SW109	WH918700	PUSH SWITCH	PS-22E85L-02	ブ ッ シ ュ S W	GROUP OUT 3 ST	01
SW110	WH918700	PUSH SWITCH	PS-22E85L-02	ブ ッ シ ュ S W	GROUP OUT 3 AFL	01
SW111	WH918700	PUSH SWITCH	PS-22E85L-02	ブ ッ シ ュ S W	GROUP OUT 4 ST	01
SW112	WH918700	PUSH SWITCH	PS-22E85L-02	ブ ッ シ ュ S W	GROUP OUT 4 AFL	01
SW113	WH918700	PUSH SWITCH	PS-22E85L-02	ブ ッ シ ュ S W	GROUP OUT 1 MONO	01
SW114	WH918700	PUSH SWITCH	PS-22E85L-02	ブ ッ シ ュ S W	GROUP OUT 2 MONO	01
SW115	WH918700	PUSH SWITCH	PS-22E85L-02	ブ ッ シ ュ S W	GROUP OUT 3 MONO	01
SW116	WH918700	PUSH SWITCH	PS-22E85L-02	ブ ッ シ ュ S W	GROUP OUT 4 MONO	01
SW201	WH918700	PUSH SWITCH	PS-22E85L-02	ブ ッ シ ュ S W	GROUP OUT 5 ON	01
SW202	WH918700	PUSH SWITCH	PS-22E85L-02	ブ ッ シ ュ S W	GROUP OUT 6 ON	01
SW203	WH918700	PUSH SWITCH	PS-22E85L-02	ブ ッ シ ュ S W	GROUP OUT 7 ON	01
SW204	WH918700	PUSH SWITCH	PS-22E85L-02	ブ ッ シ ュ S W	GROUP OUT 8 ON	01
SW205	WH918700	PUSH SWITCH	PS-22E85L-02	ブ ッ シ ュ S W	GROUP OUT 5 ST	01
SW206	WH918700	PUSH SWITCH	PS-22E85L-02	ブ ッ シ ュ S W	GROUP OUT 5 AFL	01
SW207	WH918700	PUSH SWITCH	PS-22E85L-02	ブ ッ シ ュ S W	GROUP OUT 6 ST	01
SW208	WH918700	PUSH SWITCH	PS-22E85L-02	ブ ッ シ ュ S W	GROUP OUT 6 AFL	01
SW209	WH918700	PUSH SWITCH	PS-22E85L-02	ブ ッ シ ュ S W	GROUP OUT 7 ST	01
SW210	WH918700	PUSH SWITCH	PS-22E85L-02	ブ ッ シ ュ S W	GROUP OUT 7 AFL	01
SW211	WH918700	PUSH SWITCH	PS-22E85L-02	ブ ッ シ ュ S W	GROUP OUT 8 ST	01
SW212	WH918700	PUSH SWITCH	PS-22E85L-02	ブ ッ シ ュ S W	GROUP OUT 8 AFL	01
SW213	WH918700	PUSH SWITCH	PS-22E85L-02	ブ ッ シ ュ S W	GROUP OUT 5 MONO	01
SW214	WH918700	PUSH SWITCH	PS-22E85L-02	ブ ッ シ ュ S W	GROUP OUT 6 MONO	01
SW215	WH918700	PUSH SWITCH	PS-22E85L-02	ブ ッ シ ュ S W	GROUP OUT 7 MONO	01

*: New Parts

RANK: Japan only

MAS2 and MASJK

REF NO.	PART NO.	DESCRIPTION		部 品 名	REMARKS	QTY	RANK
SW216	WH918700	PUSH SWITCH	PS-22E85L-02	プ ッ シ ュ S W	GROUP OUT 8 MONO		01
SW301	WH918700	PUSH SWITCH	PS-22E85L-02	プ ッ シ ュ S W	AUX SEND 1 AFL		01
SW302	WH918700	PUSH SWITCH	PS-22E85L-02	プ ッ シ ュ S W	AUX SEND 2 AFL		01
SW303	WH918700	PUSH SWITCH	PS-22E85L-02	プ ッ シ ュ S W	AUX SEND 3 AFL		01
SW304	WH918700	PUSH SWITCH	PS-22E85L-02	プ ッ シ ュ S W	AUX SEND 4 AFL		01
SW401	WH918700	PUSH SWITCH	PS-22E85L-02	プ ッ シ ュ S W	AUX SEND 5 AFL		01
SW402	WH918700	PUSH SWITCH	PS-22E85L-02	プ ッ シ ュ S W	AUX SEND 6 AFL		01
SW403	WH918700	PUSH SWITCH	PS-22E85L-02	プ ッ シ ュ S W	AUX SEND 7 AFL		01
SW404	WH918700	PUSH SWITCH	PS-22E85L-02	プ ッ シ ュ S W	AUX SEND 8 AFL		01
SW501	WH918800	PUSH SWITCH	PS-42E85L-02	プ ッ シ ュ S W	STEREO PEL		01
SW502	WH918800	PUSH SWITCH	PS-42E85L-02	プ ッ シ ュ S W	STEREO AFL		01
SW503	WH918700	PUSH SWITCH	PS-22E85L-02	プ ッ シ ュ S W	MONO AFL		01
SW504	WH918800	PUSH SWITCH	PS-42E85L-02	プ ッ シ ュ S W	STEREO ON		01
SW505	WH918700	PUSH SWITCH	PS-22E85L-02	プ ッ シ ュ S W	MONO ON		01
* VR101	WM452700	SLIDE VARIABLE RESISTOR	D 10.0K XVJ100NPV1	ス ラ イ ド V R	GROUP OUT 1		
* VR102	WM452700	SLIDE VARIABLE RESISTOR	D 10.0K XVJ100NPV1	ス ラ イ ド V R	GROUP OUT 2		
* VR103	WM452700	SLIDE VARIABLE RESISTOR	D 10.0K XVJ100NPV1	ス ラ イ ド V R	GROUP OUT 3		
* VR104	WM452700	SLIDE VARIABLE RESISTOR	D 10.0K XVJ100NPV1	ス ラ イ ド V R	GROUP OUT 4		
* VR105	V988610R	ROTARY VARIABLE RESISTOR	15A15C C20K XV0123	2 連 口 - タ リ - V R	} GROUP OUT PAN 1		04
* VR105	WN157700	ROTARY VARIABLE RESISTOR	15A15C C20K XV0123	2 連 口 - タ リ - V R			
* VR106	V988610R	ROTARY VARIABLE RESISTOR	15A15C C20K XV0123	2 連 口 - タ リ - V R	} GROUP OUT PAN 2		04
* VR106	WN157700	ROTARY VARIABLE RESISTOR	15A15C C20K XV0123	2 連 口 - タ リ - V R			
* VR107	V988610R	ROTARY VARIABLE RESISTOR	15A15C C20K XV0123	2 連 口 - タ リ - V R	} GROUP OUT PAN 3		04
* VR107	WN157700	ROTARY VARIABLE RESISTOR	15A15C C20K XV0123	2 連 口 - タ リ - V R			
* VR108	V988610R	ROTARY VARIABLE RESISTOR	15A15C C20K XV0123	2 連 口 - タ リ - V R	} GROUP OUT PAN 4		04
* VR108	WN157700	ROTARY VARIABLE RESISTOR	15A15C C20K XV0123	2 連 口 - タ リ - V R			
* VR201	WM452700	SLIDE VARIABLE RESISTOR	D 10.0K XVJ100NPV1	ス ラ イ ド V R	GROUP OUT 5		
* VR202	WM452700	SLIDE VARIABLE RESISTOR	D 10.0K XVJ100NPV1	ス ラ イ ド V R	GROUP OUT 6		
* VR203	WM452700	SLIDE VARIABLE RESISTOR	D 10.0K XVJ100NPV1	ス ラ イ ド V R	GROUP OUT 7		
* VR204	WM452700	SLIDE VARIABLE RESISTOR	D 10.0K XVJ100NPV1	ス ラ イ ド V R	GROUP OUT 8		
* VR205	V988610R	ROTARY VARIABLE RESISTOR	15A15C C20K XV0123	2 連 口 - タ リ - V R	} GROUP OUT PAN 5		04
* VR205	WN157700	ROTARY VARIABLE RESISTOR	15A15C C20K XV0123	2 連 口 - タ リ - V R			
* VR206	V988610R	ROTARY VARIABLE RESISTOR	15A15C C20K XV0123	2 連 口 - タ リ - V R	} GROUP OUT PAN 6		04
* VR206	WN157700	ROTARY VARIABLE RESISTOR	15A15C C20K XV0123	2 連 口 - タ リ - V R			
* VR207	V988610R	ROTARY VARIABLE RESISTOR	15A15C C20K XV0123	2 連 口 - タ リ - V R	} GROUP OUT PAN 7		04
* VR207	WN157700	ROTARY VARIABLE RESISTOR	15A15C C20K XV0123	2 連 口 - タ リ - V R			
* VR208	V988610R	ROTARY VARIABLE RESISTOR	15A15C C20K XV0123	2 連 口 - タ リ - V R	} GROUP OUT PAN 8		04
* VR208	WN157700	ROTARY VARIABLE RESISTOR	15A15C C20K XV0123	2 連 口 - タ リ - V R			
* VR301	WM452900	SLIDE VARIABLE RESISTOR	D 10.0K XVJ60NPV15	ス ラ イ ド V R	AUX SEND 1		
* VR302	WM452900	SLIDE VARIABLE RESISTOR	D 10.0K XVJ60NPV15	ス ラ イ ド V R	AUX SEND 2		
* VR303	WM452900	SLIDE VARIABLE RESISTOR	D 10.0K XVJ60NPV15	ス ラ イ ド V R	AUX SEND 3		
* VR304	WM452900	SLIDE VARIABLE RESISTOR	D 10.0K XVJ60NPV15	ス ラ イ ド V R	AUX SEND 4		
* VR401	WM452900	SLIDE VARIABLE RESISTOR	D 10.0K XVJ60NPV15	ス ラ イ ド V R	AUX SEND 5		
* VR402	WM452900	SLIDE VARIABLE RESISTOR	D 10.0K XVJ60NPV15	ス ラ イ ド V R	AUX SEND 6		
* VR403	WM452900	SLIDE VARIABLE RESISTOR	D 10.0K XVJ60NPV15	ス ラ イ ド V R	AUX SEND 7		
* VR404	WM452900	SLIDE VARIABLE RESISTOR	D 10.0K XVJ60NPV15	ス ラ イ ド V R	AUX SEND 8		
* VR502	WM452700	SLIDE VARIABLE RESISTOR	D 10.0K XVJ100NPV1	ス ラ イ ド V R	MONO		
* VR503	V826510R	ROTARY VARIABLE RESISTOR	A 20.0K XV012313	2 連 口 - タ リ - V R	} MONITOR		01
* VR503	WN156600	ROTARY VARIABLE RESISTOR	A 20.0K XV012313YG	2 連 口 - タ リ - V R			
* VR504	V826510R	ROTARY VARIABLE RESISTOR	A 20.0K XV012313	2 連 口 - タ リ - V R	} PHONES		01
* VR504	WN156600	ROTARY VARIABLE RESISTOR	A 20.0K XV012313YG	2 連 口 - タ リ - V R			
* VR505	WM452700	SLIDE VARIABLE RESISTOR	D 10.0K XVJ100NPV1	ス ラ イ ド V R	STEREO L		
* VR506	WM452700	SLIDE VARIABLE RESISTOR	D 10.0K XVJ100NPV1	ス ラ イ ド V R	STEREO R		
* WJ986200		CIRCUIT BOARD	MASJK	M A S J K シ ー ト	(X8662C0)		
C101	US062220	CERAMIC CAPACITOR-SL (CHIP)	220P 50V J RECT.	チ ッ プ セ ラ (S L)			
-108	US062220	CERAMIC CAPACITOR-SL (CHIP)	220P 50V J RECT.	チ ッ プ セ ラ (S L)			
C109	US062100	CERAMIC CAPACITOR-SL (CHIP)	100P 50V J RECT.	チ ッ プ セ ラ (S L)			
C110	US062100	CERAMIC CAPACITOR-SL (CHIP)	100P 50V J RECT.	チ ッ プ セ ラ (S L)			
C111	US062220	CERAMIC CAPACITOR-SL (CHIP)	220P 50V J RECT.	チ ッ プ セ ラ (S L)			
C301	US062220	CERAMIC CAPACITOR-SL (CHIP)	220P 50V J RECT.	チ ッ プ セ ラ (S L)			
-336	US062220	CERAMIC CAPACITOR-SL (CHIP)	220P 50V J RECT.	チ ッ プ セ ラ (S L)			
CN101	VB39080R	CONNECTOR BASE POST, TOP	PH 12P TE	ベ ー ス ポ ス ト			01
CN102	VB390200	CONNECTOR BASE POST, TOP	PH 6P TE	ベ ー ス ポ ス ト			01
CN103	VB38980R	CONNECTOR BASE POST, TOP	PH 2P TE	ベ ー ス ポ ス ト			01
CN201	VF728200	CONNECTOR BASE PIN	52147 10P TE	ワ イ ヤ ー ト ラ ッ プ			
CN202	VF728200	CONNECTOR BASE PIN	52147 10P TE	ワ イ ヤ ー ト ラ ッ プ			
CN203	VB39080R	CONNECTOR BASE POST, TOP	PH 12P TE	ベ ー ス ポ ス ト			01
CN204	VB39080R	CONNECTOR BASE POST, TOP	PH 12P TE	ベ ー ス ポ ス ト			01
CN205	VB39010R	CONNECTOR BASE POST, TOP	PH 5P TE	ベ ー ス ポ ス ト			01

*: New Parts

RANK: Japan only

MASJK

REF NO.	PART NO.	DESCRIPTION		部 品 名	REMARKS	QTY	RANK
CN301	VF28310R	CONNECTOR BASE POST, TOP	PH 13P TE	ベースポスト			01
CN302	VB39080R	CONNECTOR BASE POST, TOP	PH 12P TE	ベースポスト			01
CN303	VF28310R	CONNECTOR BASE POST, TOP	PH 13P TE	ベースポスト			01
CN304	VB39040R	CONNECTOR BASE POST, TOP	PH 8P TE	ベースポスト			01
CN305	VB390500	CONNECTOR BASE POST, TOP	PH 9P TE	ベースポスト			01
CN306	VB38990R	CONNECTOR BASE POST, TOP	PH 3P TE	ベースポスト			01
JK101	WH919000	PHONE JACK	ST MSJ-064-30B B	ホンコネクタ	AUX RETURN 1 L/MONO		01
JK102	WH919000	PHONE JACK	ST MSJ-064-30B B	ホンコネクタ	AUX RETURN 1 R		01
JK103	WH919000	PHONE JACK	ST MSJ-064-30B B	ホンコネクタ	AUX RETURN 2 L/MONO		01
JK104	WH919000	PHONE JACK	ST MSJ-064-30B B	ホンコネクタ	AUX RETURN 2 R		01
JK105	WH919000	PHONE JACK	ST MSJ-064-30B B	ホンコネクタ	AUX RETURN 3 L/MONO		01
JK106	WH919000	PHONE JACK	ST MSJ-064-30B B	ホンコネクタ	AUX RETURN 3 R		01
JK107	WH919000	PHONE JACK	ST MSJ-064-30B B	ホンコネクタ	AUX RETURN 4 L/MONO		01
JK108	WH919000	PHONE JACK	ST MSJ-064-30B B	ホンコネクタ	AUX RETURN 4 R		01
JK109	WG848700	CANNON CONNECTOR	JACK NC3FAAV2-0-Y	キャノンコネクタ	TALKBACK MIC IN		03
JK110	V9812801	PIN CONNECTOR 4P	MSP-247H1-01 NI	ピンコネクタ 4P	2TR IN/REC OUT		01
JK201	WH919000	PHONE JACK	ST MSJ-064-30B B	ホンコネクタ	INSERT 1		01
JK202	WH919000	PHONE JACK	ST MSJ-064-30B B	ホンコネクタ	INSERT 2		01
JK203	WH919000	PHONE JACK	ST MSJ-064-30B B	ホンコネクタ	INSERT 3		01
JK204	WH919000	PHONE JACK	ST MSJ-064-30B B	ホンコネクタ	INSERT 4		01
JK205	WH919000	PHONE JACK	ST MSJ-064-30B B	ホンコネクタ	INSERT 5		01
JK206	WH919000	PHONE JACK	ST MSJ-064-30B B	ホンコネクタ	INSERT 6		01
JK207	WH919000	PHONE JACK	ST MSJ-064-30B B	ホンコネクタ	INSERT 7		01
JK208	WH919000	PHONE JACK	ST MSJ-064-30B B	ホンコネクタ	INSERT 8		01
JK209	WH919000	PHONE JACK	ST MSJ-064-30B B	ホンコネクタ	INSERT 1		01
JK210	WH919000	PHONE JACK	ST MSJ-064-30B B	ホンコネクタ	INSERT 2		01
JK211	WH919000	PHONE JACK	ST MSJ-064-30B B	ホンコネクタ	INSERT 3		01
JK212	WH919000	PHONE JACK	ST MSJ-064-30B B	ホンコネクタ	INSERT 4		01
JK213	WH919000	PHONE JACK	ST MSJ-064-30B B	ホンコネクタ	INSERT 5		01
JK214	WH919000	PHONE JACK	ST MSJ-064-30B B	ホンコネクタ	INSERT 6		01
JK215	WH919000	PHONE JACK	ST MSJ-064-30B B	ホンコネクタ	INSERT 7		01
JK216	WH919000	PHONE JACK	ST MSJ-064-30B B	ホンコネクタ	INSERT 8		01
JK217	WH919000	PHONE JACK	ST MSJ-064-30B B	ホンコネクタ	STEREO INSERT L		01
JK218	WH919000	PHONE JACK	ST MSJ-064-30B B	ホンコネクタ	STEREO INSERT R		01
JK219	WH919000	PHONE JACK	ST MSJ-064-30B B	ホンコネクタ	MONO INSERT		01
JK301	WH919000	PHONE JACK	ST MSJ-064-30B B	ホンコネクタ	GROUP OUT 1		01
JK302	WH919000	PHONE JACK	ST MSJ-064-30B B	ホンコネクタ	GROUP OUT 2		01
JK303	WH919000	PHONE JACK	ST MSJ-064-30B B	ホンコネクタ	GROUP OUT 3		01
JK304	WH919000	PHONE JACK	ST MSJ-064-30B B	ホンコネクタ	GROUP OUT 4		01
JK305	WH919000	PHONE JACK	ST MSJ-064-30B B	ホンコネクタ	GROUP OUT 5		01
JK306	WH919000	PHONE JACK	ST MSJ-064-30B B	ホンコネクタ	GROUP OUT 6		01
JK307	WH919000	PHONE JACK	ST MSJ-064-30B B	ホンコネクタ	GROUP OUT 7		01
JK308	WH919000	PHONE JACK	ST MSJ-064-30B B	ホンコネクタ	GROUP OUT 8		01
JK309	WG848800	CANNON CONNECTOR	JACK NC3MAAV-0-Y	キャノンコネクタ	AUX SEND 1		03
JK310	WG848800	CANNON CONNECTOR	JACK NC3MAAV-0-Y	キャノンコネクタ	AUX SEND 2		03
JK311	WG848800	CANNON CONNECTOR	JACK NC3MAAV-0-Y	キャノンコネクタ	AUX SEND 3		03
JK312	WG848800	CANNON CONNECTOR	JACK NC3MAAV-0-Y	キャノンコネクタ	AUX SEND 4		03
JK313	WG848800	CANNON CONNECTOR	JACK NC3MAAV-0-Y	キャノンコネクタ	AUX SEND 5		03
JK314	WG848800	CANNON CONNECTOR	JACK NC3MAAV-0-Y	キャノンコネクタ	AUX SEND 6		03
JK315	WG848800	CANNON CONNECTOR	JACK NC3MAAV-0-Y	キャノンコネクタ	AUX SEND 7		03
JK316	WG848800	CANNON CONNECTOR	JACK NC3MAAV-0-Y	キャノンコネクタ	AUX SEND 8		03
JK317	WH919000	PHONE JACK	ST MSJ-064-30B B	ホンコネクタ	MATRIX OUT 1		01
JK318	WH919000	PHONE JACK	ST MSJ-064-30B B	ホンコネクタ	MATRIX OUT 2		01
JK319	WH919000	PHONE JACK	ST MSJ-064-30B B	ホンコネクタ	MATRIX OUT 3		01
JK320	WH919000	PHONE JACK	ST MSJ-064-30B B	ホンコネクタ	MATRIX OUT 4		01
JK321	WG848800	CANNON CONNECTOR	JACK NC3MAAV-0-Y	キャノンコネクタ	STEREO OUT L		03
JK322	WG848800	CANNON CONNECTOR	JACK NC3MAAV-0-Y	キャノンコネクタ	STEREO OUT R		03
JK323	WG848800	CANNON CONNECTOR	JACK NC3MAAV-0-Y	キャノンコネクタ	MONO OUT		03
JK324	WH919000	PHONE JACK	ST MSJ-064-30B B	ホンコネクタ	MONITOR OUT L		01
JK325	WH919000	PHONE JACK	ST MSJ-064-30B B	ホンコネクタ	MONITOR OUT R		01
R101	RD355220	CHIP RESISTOR 1/16W	220.0 63M J RECT.	チップ抵抗			
R102	RD355220	CHIP RESISTOR 1/16W	220.0 63M J RECT.	チップ抵抗			
R105	RF456120	CHIP RESISTOR 1/16W	1.2K D 1608	チップ抵抗			
R106	RF456120	CHIP RESISTOR 1/16W	1.2K D 1608	チップ抵抗			
R107	RF456150	CHIP RESISTOR 1/16W	1.5K D RECT.	チップ抵抗			
R108	RF456150	CHIP RESISTOR 1/16W	1.5K D RECT.	チップ抵抗			
R109	RD355220	CHIP RESISTOR 1/16W	220.0 63M J RECT.	チップ抵抗			
R201	RF454750	CHIP RESISTOR 1/16W	75.0 D RECT.	チップ抵抗			
-219	RF454750	CHIP RESISTOR 1/16W	75.0 D RECT.	チップ抵抗			
R301	RF454750	CHIP RESISTOR 1/16W	75.0 D RECT.	チップ抵抗			

※: New Parts

RANK: Japan only

MASJK and PHONES/ST1/ST2/STJK

REF NO.	PART NO.	DESCRIPTION	部 品 名	REMARKS	QTY	RANK
-328	RF454750	CHIP RESISTOR 1/16W	75.0 D RECT.	チ ッ プ 抵 抗		
*	WK634100	CIRCUIT BOARD	PHONES	P H O N E S シ ー ト	(WK62990)(X8990D0)	
*	WJ986000	CIRCUIT BOARD	ST1	S T 1 シ ー ト	(WK62990)(X8990D0)	
*	WJ986100	CIRCUIT BOARD	ST2	S T 2 シ ー ト	(WK62990)(X8990D0)	
*	WJ985900	CIRCUIT BOARD	STJK	S T J K シ ー ト	(WK62990)(X8990D0)	
C101	UR867100	ELECTROLYTIC CAPACITOR	10.00 50.0V RX TP	ケ ミ コ ン		
C102	UR867100	ELECTROLYTIC CAPACITOR	10.00 50.0V RX TP	ケ ミ コ ン		
C110	UR858100	ELECTROLYTIC CAPACITOR	100.00 35.0V RX TP	ケ ミ コ ン		
C111	US064100	CERAMIC CAPACITOR-B (CHIP)	0.0100 50V K RECT.	チ ッ プ セ ラ (B)		
C112	US062100	CERAMIC CAPACITOR-SL (CHIP)	100P 50V J RECT.	チ ッ プ セ ラ (S L)		
C113	US062100	CERAMIC CAPACITOR-SL (CHIP)	100P 50V J RECT.	チ ッ プ セ ラ (S L)		
C114	US064100	CERAMIC CAPACITOR-B (CHIP)	0.0100 50V K RECT.	チ ッ プ セ ラ (B)		
C115	UR858100	ELECTROLYTIC CAPACITOR	100.00 35.0V RX TP	ケ ミ コ ン		
C116	UR828470	ELECTROLYTIC CAPACITOR	470.00 10.0V RX TP	ケ ミ コ ン		
C117	US064100	CERAMIC CAPACITOR-B (CHIP)	0.0100 50V K RECT.	チ ッ プ セ ラ (B)		
C118	UR828470	ELECTROLYTIC CAPACITOR	470.00 10.0V RX TP	ケ ミ コ ン		
C119	US062100	CERAMIC CAPACITOR-SL (CHIP)	100P 50V J RECT.	チ ッ プ セ ラ (S L)		
C120	US062100	CERAMIC CAPACITOR-SL (CHIP)	100P 50V J RECT.	チ ッ プ セ ラ (S L)		
C121	US064100	CERAMIC CAPACITOR-B (CHIP)	0.0100 50V K RECT.	チ ッ プ セ ラ (B)		
C122	US061470	CERAMIC CAPACITOR-CH (CHIP)	47P 50V J RECT.	チ ッ プ セ ラ (C H)		
C123	US061470	CERAMIC CAPACITOR-CH (CHIP)	47P 50V J RECT.	チ ッ プ セ ラ (C H)		
C124	US064100	CERAMIC CAPACITOR-B (CHIP)	0.0100 50V K RECT.	チ ッ プ セ ラ (B)		
C125	UR867100	ELECTROLYTIC CAPACITOR	10.00 50.0V RX TP	ケ ミ コ ン		
C126	UR867100	ELECTROLYTIC CAPACITOR	10.00 50.0V RX TP	ケ ミ コ ン		
C127	US064100	CERAMIC CAPACITOR-B (CHIP)	0.0100 50V K RECT.	チ ッ プ セ ラ (B)		
C128	US064100	CERAMIC CAPACITOR-B (CHIP)	0.0100 50V K RECT.	チ ッ プ セ ラ (B)		
C129	US062220	CERAMIC CAPACITOR-SL (CHIP)	220P 50V J RECT.	チ ッ プ セ ラ (S L)		
C130	US062220	CERAMIC CAPACITOR-SL (CHIP)	220P 50V J RECT.	チ ッ プ セ ラ (S L)		
C131	US064100	CERAMIC CAPACITOR-B (CHIP)	0.0100 50V K RECT.	チ ッ プ セ ラ (B)		
C132	US06168R	CERAMIC CAPACITOR-SL (CHIP)	68P 50V J RECT.	チ ッ プ セ ラ (S L)		01
C133	US06168R	CERAMIC CAPACITOR-SL (CHIP)	68P 50V J RECT.	チ ッ プ セ ラ (S L)		01
C134	US064100	CERAMIC CAPACITOR-B (CHIP)	0.0100 50V K RECT.	チ ッ プ セ ラ (B)		
C135	UR857470	ELECTROLYTIC CAPACITOR	47.00 35.0V RX TP	ケ ミ コ ン		
C136	UR857470	ELECTROLYTIC CAPACITOR	47.00 35.0V RX TP	ケ ミ コ ン		
C137	US064100	CERAMIC CAPACITOR-B (CHIP)	0.0100 50V K RECT.	チ ッ プ セ ラ (B)		
C138	UA354390	POLYESTER FILM CAPACITOR	0.0390 50V J RX TP	マ イ ラ - コ ン		01
C138	UA654390	POLYESTER FILM CAPACITOR	0.0390 50V J RX TP	マ イ ラ - コ ン		
C139	UA354390	POLYESTER FILM CAPACITOR	0.0390 50V J RX TP	マ イ ラ - コ ン		01
C139	UA654390	POLYESTER FILM CAPACITOR	0.0390 50V J RX TP	マ イ ラ - コ ン		
C140	UA352820	POLYESTER FILM CAPACITOR	820P 50V J RX TP	マ イ ラ - コ ン		
C140	UA652820	POLYESTER FILM CAPACITOR	820P 50V J RX TP	マ イ ラ - コ ン		
C141	UA352820	POLYESTER FILM CAPACITOR	820P 50V J RX TP	マ イ ラ - コ ン		
C141	UA652820	POLYESTER FILM CAPACITOR	820P 50V J RX TP	マ イ ラ - コ ン		
C142	US061100	CERAMIC CAPACITOR-CH (CHIP)	10P 50V D RECT.	チ ッ プ セ ラ (C H)		
C143	US062100	CERAMIC CAPACITOR-SL (CHIP)	100P 50V J RECT.	チ ッ プ セ ラ (S L)		
C144	US061100	CERAMIC CAPACITOR-CH (CHIP)	10P 50V D RECT.	チ ッ プ セ ラ (C H)		
C145	US062100	CERAMIC CAPACITOR-SL (CHIP)	100P 50V J RECT.	チ ッ プ セ ラ (S L)		
C146	UA353220	POLYESTER FILM CAPACITOR	2200P 50V J RX TP	マ イ ラ - コ ン		
C146	UA653220	POLYESTER FILM CAPACITOR	2200P 50V J RX TP	マ イ ラ - コ ン		
C147	UA352820	POLYESTER FILM CAPACITOR	820P 50V J RX TP	マ イ ラ - コ ン		
C147	UA652820	POLYESTER FILM CAPACITOR	820P 50V J RX TP	マ イ ラ - コ ン		
C148	UA353220	POLYESTER FILM CAPACITOR	2200P 50V J RX TP	マ イ ラ - コ ン		
C148	UA653220	POLYESTER FILM CAPACITOR	2200P 50V J RX TP	マ イ ラ - コ ン		
C149	UA352820	POLYESTER FILM CAPACITOR	820P 50V J RX TP	マ イ ラ - コ ン		
C149	UA652820	POLYESTER FILM CAPACITOR	820P 50V J RX TP	マ イ ラ - コ ン		
C150	US062100	CERAMIC CAPACITOR-SL (CHIP)	100P 50V J RECT.	チ ッ プ セ ラ (S L)		
C151	US062100	CERAMIC CAPACITOR-SL (CHIP)	100P 50V J RECT.	チ ッ プ セ ラ (S L)		
C152	US061220	CERAMIC CAPACITOR-CH (CHIP)	22P 50V J RECT.	チ ッ プ セ ラ (C H)		
C153	US061220	CERAMIC CAPACITOR-CH (CHIP)	22P 50V J RECT.	チ ッ プ セ ラ (C H)		
C154	UA353820	POLYESTER FILM CAPACITOR	8200P 50V J RX TP	マ イ ラ - コ ン		01
C154	UA653820	POLYESTER FILM CAPACITOR	8200P 50V J RX TP	マ イ ラ - コ ン		
C155	UA353330	POLYESTER FILM CAPACITOR	3300P 50V J RX TP	マ イ ラ - コ ン		01
C155	UA653330	POLYESTER FILM CAPACITOR	3300P 50V J RX TP	マ イ ラ - コ ン		
C156	UA353820	POLYESTER FILM CAPACITOR	8200P 50V J RX TP	マ イ ラ - コ ン		01
C156	UA653820	POLYESTER FILM CAPACITOR	8200P 50V J RX TP	マ イ ラ - コ ン		
C157	UA353330	POLYESTER FILM CAPACITOR	3300P 50V J RX TP	マ イ ラ - コ ン		01
C157	UA653330	POLYESTER FILM CAPACITOR	3300P 50V J RX TP	マ イ ラ - コ ン		
C158	US062100	CERAMIC CAPACITOR-SL (CHIP)	100P 50V J RECT.	チ ッ プ セ ラ (S L)		
C159	US062100	CERAMIC CAPACITOR-SL (CHIP)	100P 50V J RECT.	チ ッ プ セ ラ (S L)		

*: New Parts

RANK: Japan only

PHONES/ST1/ST2/STJK

REF NO.	PART NO.	DESCRIPTION	部 品 名	REMARKS	QTY	RANK
C160	US061220	CERAMIC CAPACITOR-CH (CHIP)	22P 50V J RECT.	チ ッ プ セ ラ (C H)		
C161	US061220	CERAMIC CAPACITOR-CH (CHIP)	22P 50V J RECT.	チ ッ プ セ ラ (C H)		
C162	UR857470	ELECTROLYTIC CAPACITOR	47.00 35.0V RX TP	ケ ミ コ ン		
C163	UR857470	ELECTROLYTIC CAPACITOR	47.00 35.0V RX TP	ケ ミ コ ン		
C201	UR867100	ELECTROLYTIC CAPACITOR	10.00 50.0V RX TP	ケ ミ コ ン		
C202	UR867100	ELECTROLYTIC CAPACITOR	10.00 50.0V RX TP	ケ ミ コ ン		
C210	UR858100	ELECTROLYTIC CAPACITOR	100.00 35.0V RX TP	ケ ミ コ ン		
C211	US064100	CERAMIC CAPACITOR-B (CHIP)	0.0100 50V K RECT.	チ ッ プ セ ラ (B)		
C212	US064100	CERAMIC CAPACITOR-B (CHIP)	0.0100 50V K RECT.	チ ッ プ セ ラ (B)		
C213	UR858100	ELECTROLYTIC CAPACITOR	100.00 35.0V RX TP	ケ ミ コ ン		
C214	US062100	CERAMIC CAPACITOR-SL (CHIP)	100P 50V J RECT.	チ ッ プ セ ラ (S L)		
C215	US062100	CERAMIC CAPACITOR-SL (CHIP)	100P 50V J RECT.	チ ッ プ セ ラ (S L)		
C216	US064100	CERAMIC CAPACITOR-B (CHIP)	0.0100 50V K RECT.	チ ッ プ セ ラ (B)		
C217	UR828470	ELECTROLYTIC CAPACITOR	470.00 10.0V RX TP	ケ ミ コ ン		
C218	UR828470	ELECTROLYTIC CAPACITOR	470.00 10.0V RX TP	ケ ミ コ ン		
C219	US062100	CERAMIC CAPACITOR-SL (CHIP)	100P 50V J RECT.	チ ッ プ セ ラ (S L)		
C220	US064100	CERAMIC CAPACITOR-B (CHIP)	0.0100 50V K RECT.	チ ッ プ セ ラ (B)		
C221	US062100	CERAMIC CAPACITOR-SL (CHIP)	100P 50V J RECT.	チ ッ プ セ ラ (S L)		
C222	US064100	CERAMIC CAPACITOR-B (CHIP)	0.0100 50V K RECT.	チ ッ プ セ ラ (B)		
C223	US061470	CERAMIC CAPACITOR-CH (CHIP)	47P 50V J RECT.	チ ッ プ セ ラ (C H)		
C224	US061470	CERAMIC CAPACITOR-CH (CHIP)	47P 50V J RECT.	チ ッ プ セ ラ (C H)		
C225	US064100	CERAMIC CAPACITOR-B (CHIP)	0.0100 50V K RECT.	チ ッ プ セ ラ (B)		
C226	UR867100	ELECTROLYTIC CAPACITOR	10.00 50.0V RX TP	ケ ミ コ ン		
C227	UR867100	ELECTROLYTIC CAPACITOR	10.00 50.0V RX TP	ケ ミ コ ン		
C228	US064100	CERAMIC CAPACITOR-B (CHIP)	0.0100 50V K RECT.	チ ッ プ セ ラ (B)		
C229	US062220	CERAMIC CAPACITOR-SL (CHIP)	220P 50V J RECT.	チ ッ プ セ ラ (S L)		
C230	US062220	CERAMIC CAPACITOR-SL (CHIP)	220P 50V J RECT.	チ ッ プ セ ラ (S L)		
C231	US064100	CERAMIC CAPACITOR-B (CHIP)	0.0100 50V K RECT.	チ ッ プ セ ラ (B)		
C232	US064100	CERAMIC CAPACITOR-B (CHIP)	0.0100 50V K RECT.	チ ッ プ セ ラ (B)		
C233	US06168R	CERAMIC CAPACITOR-SL (CHIP)	68P 50V J RECT.	チ ッ プ セ ラ (S L)		01
C234	US06168R	CERAMIC CAPACITOR-SL (CHIP)	68P 50V J RECT.	チ ッ プ セ ラ (S L)		01
C235	UR857470	ELECTROLYTIC CAPACITOR	47.00 35.0V RX TP	ケ ミ コ ン		
C236	UR857470	ELECTROLYTIC CAPACITOR	47.00 35.0V RX TP	ケ ミ コ ン		
C237	US064100	CERAMIC CAPACITOR-B (CHIP)	0.0100 50V K RECT.	チ ッ プ セ ラ (B)		
C238	UA354390	POLYESTER FILM CAPACITOR	0.0390 50V J RX TP	マ イ ラ - コ ン		01
C238	UA654390	POLYESTER FILM CAPACITOR	0.0390 50V J RX TP	マ イ ラ - コ ン		
C239	UA354390	POLYESTER FILM CAPACITOR	0.0390 50V J RX TP	マ イ ラ - コ ン		01
C239	UA654390	POLYESTER FILM CAPACITOR	0.0390 50V J RX TP	マ イ ラ - コ ン		
C240	UA352820	POLYESTER FILM CAPACITOR	820P 50V J RX TP	マ イ ラ - コ ン		
C240	UA652820	POLYESTER FILM CAPACITOR	820P 50V J RX TP	マ イ ラ - コ ン		
C241	UA352820	POLYESTER FILM CAPACITOR	820P 50V J RX TP	マ イ ラ - コ ン		
C241	UA652820	POLYESTER FILM CAPACITOR	820P 50V J RX TP	マ イ ラ - コ ン		
C242	US061100	CERAMIC CAPACITOR-CH (CHIP)	10P 50V D RECT.	チ ッ プ セ ラ (C H)		
C243	US062100	CERAMIC CAPACITOR-SL (CHIP)	100P 50V J RECT.	チ ッ プ セ ラ (S L)		
C244	US061100	CERAMIC CAPACITOR-CH (CHIP)	10P 50V D RECT.	チ ッ プ セ ラ (C H)		
C245	US062100	CERAMIC CAPACITOR-SL (CHIP)	100P 50V J RECT.	チ ッ プ セ ラ (S L)		
C246	UA353220	POLYESTER FILM CAPACITOR	2200P 50V J RX TP	マ イ ラ - コ ン		
C246	UA653220	POLYESTER FILM CAPACITOR	2200P 50V J RX TP	マ イ ラ - コ ン		
C247	UA352820	POLYESTER FILM CAPACITOR	820P 50V J RX TP	マ イ ラ - コ ン		
C247	UA652820	POLYESTER FILM CAPACITOR	820P 50V J RX TP	マ イ ラ - コ ン		
C248	UA353220	POLYESTER FILM CAPACITOR	2200P 50V J RX TP	マ イ ラ - コ ン		
C248	UA653220	POLYESTER FILM CAPACITOR	2200P 50V J RX TP	マ イ ラ - コ ン		
C249	UA352820	POLYESTER FILM CAPACITOR	820P 50V J RX TP	マ イ ラ - コ ン		
C249	UA652820	POLYESTER FILM CAPACITOR	820P 50V J RX TP	マ イ ラ - コ ン		
C250	US062100	CERAMIC CAPACITOR-SL (CHIP)	100P 50V J RECT.	チ ッ プ セ ラ (S L)		
C251	US062100	CERAMIC CAPACITOR-SL (CHIP)	100P 50V J RECT.	チ ッ プ セ ラ (S L)		
C252	US061220	CERAMIC CAPACITOR-CH (CHIP)	22P 50V J RECT.	チ ッ プ セ ラ (C H)		
C253	US061220	CERAMIC CAPACITOR-CH (CHIP)	22P 50V J RECT.	チ ッ プ セ ラ (C H)		
C254	UA353820	POLYESTER FILM CAPACITOR	8200P 50V J RX TP	マ イ ラ - コ ン		01
C254	UA653820	POLYESTER FILM CAPACITOR	8200P 50V J RX TP	マ イ ラ - コ ン		
C255	UA353330	POLYESTER FILM CAPACITOR	3300P 50V J RX TP	マ イ ラ - コ ン		01
C255	UA653330	POLYESTER FILM CAPACITOR	3300P 50V J RX TP	マ イ ラ - コ ン		
C256	UA353820	POLYESTER FILM CAPACITOR	8200P 50V J RX TP	マ イ ラ - コ ン		01
C256	UA653820	POLYESTER FILM CAPACITOR	8200P 50V J RX TP	マ イ ラ - コ ン		
C257	UA353330	POLYESTER FILM CAPACITOR	3300P 50V J RX TP	マ イ ラ - コ ン		01
C257	UA653330	POLYESTER FILM CAPACITOR	3300P 50V J RX TP	マ イ ラ - コ ン		
C258	US062100	CERAMIC CAPACITOR-SL (CHIP)	100P 50V J RECT.	チ ッ プ セ ラ (S L)		
C259	US062100	CERAMIC CAPACITOR-SL (CHIP)	100P 50V J RECT.	チ ッ プ セ ラ (S L)		
C260	US061220	CERAMIC CAPACITOR-CH (CHIP)	22P 50V J RECT.	チ ッ プ セ ラ (C H)		
C261	US061220	CERAMIC CAPACITOR-CH (CHIP)	22P 50V J RECT.	チ ッ プ セ ラ (C H)		

*: New Parts

RANK: Japan only

PHONES/ST1/ST2/STJK

REF NO.	PART NO.	DESCRIPTION		部 品 名	REMARKS	QTY	RANK
C262	UR857470	ELECTROLYTIC CAPACITOR	47.00 35.0V RX TP	ケ ミ コ ン			
C263	UR857470	ELECTROLYTIC CAPACITOR	47.00 35.0V RX TP	ケ ミ コ ン			
C301	UR867100	ELECTROLYTIC CAPACITOR	10.00 50.0V RX TP	ケ ミ コ ン			
C302	UR867100	ELECTROLYTIC CAPACITOR	10.00 50.0V RX TP	ケ ミ コ ン			
C310	UR858100	ELECTROLYTIC CAPACITOR	100.00 35.0V RX TP	ケ ミ コ ン			
C311	US064100	CERAMIC CAPACITOR-B (CHIP)	0.0100 50V K RECT.	チ ッ プ セ ラ (B)			
C312	US062100	CERAMIC CAPACITOR-SL (CHIP)	100P 50V J RECT.	チ ッ プ セ ラ (S L)			
C313	US062100	CERAMIC CAPACITOR-SL (CHIP)	100P 50V J RECT.	チ ッ プ セ ラ (S L)			
C314	US064100	CERAMIC CAPACITOR-B (CHIP)	0.0100 50V K RECT.	チ ッ プ セ ラ (B)			
C315	UR858100	ELECTROLYTIC CAPACITOR	100.00 35.0V RX TP	ケ ミ コ ン			
C316	UR828470	ELECTROLYTIC CAPACITOR	470.00 10.0V RX TP	ケ ミ コ ン			
C317	US064100	CERAMIC CAPACITOR-B (CHIP)	0.0100 50V K RECT.	チ ッ プ セ ラ (B)			
C318	UR828470	ELECTROLYTIC CAPACITOR	470.00 10.0V RX TP	ケ ミ コ ン			
C319	US062100	CERAMIC CAPACITOR-SL (CHIP)	100P 50V J RECT.	チ ッ プ セ ラ (S L)			
C320	US062100	CERAMIC CAPACITOR-SL (CHIP)	100P 50V J RECT.	チ ッ プ セ ラ (S L)			
C321	US064100	CERAMIC CAPACITOR-B (CHIP)	0.0100 50V K RECT.	チ ッ プ セ ラ (B)			
C322	US061470	CERAMIC CAPACITOR-CH (CHIP)	47P 50V J RECT.	チ ッ プ セ ラ (C H)			
C323	US061470	CERAMIC CAPACITOR-CH (CHIP)	47P 50V J RECT.	チ ッ プ セ ラ (C H)			
C324	US064100	CERAMIC CAPACITOR-B (CHIP)	0.0100 50V K RECT.	チ ッ プ セ ラ (B)			
C325	UR867100	ELECTROLYTIC CAPACITOR	10.00 50.0V RX TP	ケ ミ コ ン			
C326	UR867100	ELECTROLYTIC CAPACITOR	10.00 50.0V RX TP	ケ ミ コ ン			
C327	US064100	CERAMIC CAPACITOR-B (CHIP)	0.0100 50V K RECT.	チ ッ プ セ ラ (B)			
C328	US064100	CERAMIC CAPACITOR-B (CHIP)	0.0100 50V K RECT.	チ ッ プ セ ラ (B)			
C329	US062220	CERAMIC CAPACITOR-SL (CHIP)	220P 50V J RECT.	チ ッ プ セ ラ (S L)			
C330	US062220	CERAMIC CAPACITOR-SL (CHIP)	220P 50V J RECT.	チ ッ プ セ ラ (S L)			
C331	US064100	CERAMIC CAPACITOR-B (CHIP)	0.0100 50V K RECT.	チ ッ プ セ ラ (B)			
C332	US06168R	CERAMIC CAPACITOR-SL (CHIP)	68P 50V J RECT.	チ ッ プ セ ラ (S L)			01
C333	US06168R	CERAMIC CAPACITOR-SL (CHIP)	68P 50V J RECT.	チ ッ プ セ ラ (S L)			01
C334	US064100	CERAMIC CAPACITOR-B (CHIP)	0.0100 50V K RECT.	チ ッ プ セ ラ (B)			
C335	UR857470	ELECTROLYTIC CAPACITOR	47.00 35.0V RX TP	ケ ミ コ ン			
C336	UR857470	ELECTROLYTIC CAPACITOR	47.00 35.0V RX TP	ケ ミ コ ン			
C337	US064100	CERAMIC CAPACITOR-B (CHIP)	0.0100 50V K RECT.	チ ッ プ セ ラ (B)			
C338	UA354390	POLYESTER FILM CAPACITOR	0.0390 50V J RX TP	マ イ ラ - コ ン			01
C338	UA654390	POLYESTER FILM CAPACITOR	0.0390 50V J RX TP	マ イ ラ - コ ン			
C339	UA354390	POLYESTER FILM CAPACITOR	0.0390 50V J RX TP	マ イ ラ - コ ン			01
C339	UA654390	POLYESTER FILM CAPACITOR	0.0390 50V J RX TP	マ イ ラ - コ ン			
C340	UA352820	POLYESTER FILM CAPACITOR	820P 50V J RX TP	マ イ ラ - コ ン			
C340	UA652820	POLYESTER FILM CAPACITOR	820P 50V J RX TP	マ イ ラ - コ ン			
C341	UA352820	POLYESTER FILM CAPACITOR	820P 50V J RX TP	マ イ ラ - コ ン			
C341	UA652820	POLYESTER FILM CAPACITOR	820P 50V J RX TP	マ イ ラ - コ ン			
C342	US061100	CERAMIC CAPACITOR-CH (CHIP)	10P 50V D RECT.	チ ッ プ セ ラ (C H)			
C343	US062100	CERAMIC CAPACITOR-SL (CHIP)	100P 50V J RECT.	チ ッ プ セ ラ (S L)			
C344	US061100	CERAMIC CAPACITOR-CH (CHIP)	10P 50V D RECT.	チ ッ プ セ ラ (C H)			
C345	US062100	CERAMIC CAPACITOR-SL (CHIP)	100P 50V J RECT.	チ ッ プ セ ラ (S L)			
C346	UA353220	POLYESTER FILM CAPACITOR	2200P 50V J RX TP	マ イ ラ - コ ン			
C346	UA653220	POLYESTER FILM CAPACITOR	2200P 50V J RX TP	マ イ ラ - コ ン			
C347	UA352820	POLYESTER FILM CAPACITOR	820P 50V J RX TP	マ イ ラ - コ ン			
C347	UA652820	POLYESTER FILM CAPACITOR	820P 50V J RX TP	マ イ ラ - コ ン			
C348	UA353220	POLYESTER FILM CAPACITOR	2200P 50V J RX TP	マ イ ラ - コ ン			
C348	UA653220	POLYESTER FILM CAPACITOR	2200P 50V J RX TP	マ イ ラ - コ ン			
C349	UA352820	POLYESTER FILM CAPACITOR	820P 50V J RX TP	マ イ ラ - コ ン			
C349	UA652820	POLYESTER FILM CAPACITOR	820P 50V J RX TP	マ イ ラ - コ ン			
C350	US062100	CERAMIC CAPACITOR-SL (CHIP)	100P 50V J RECT.	チ ッ プ セ ラ (S L)			
C351	US062100	CERAMIC CAPACITOR-SL (CHIP)	100P 50V J RECT.	チ ッ プ セ ラ (S L)			
C352	US061220	CERAMIC CAPACITOR-CH (CHIP)	22P 50V J RECT.	チ ッ プ セ ラ (C H)			
C353	US061220	CERAMIC CAPACITOR-CH (CHIP)	22P 50V J RECT.	チ ッ プ セ ラ (C H)			
C354	UA353820	POLYESTER FILM CAPACITOR	8200P 50V J RX TP	マ イ ラ - コ ン			01
C354	UA653820	POLYESTER FILM CAPACITOR	8200P 50V J RX TP	マ イ ラ - コ ン			
C355	UA353330	POLYESTER FILM CAPACITOR	3300P 50V J RX TP	マ イ ラ - コ ン			01
C355	UA653330	POLYESTER FILM CAPACITOR	3300P 50V J RX TP	マ イ ラ - コ ン			
C356	UA353820	POLYESTER FILM CAPACITOR	8200P 50V J RX TP	マ イ ラ - コ ン			01
C356	UA653820	POLYESTER FILM CAPACITOR	8200P 50V J RX TP	マ イ ラ - コ ン			
C357	UA353330	POLYESTER FILM CAPACITOR	3300P 50V J RX TP	マ イ ラ - コ ン			01
C357	UA653330	POLYESTER FILM CAPACITOR	3300P 50V J RX TP	マ イ ラ - コ ン			
C358	US062100	CERAMIC CAPACITOR-SL (CHIP)	100P 50V J RECT.	チ ッ プ セ ラ (S L)			
C359	US062100	CERAMIC CAPACITOR-SL (CHIP)	100P 50V J RECT.	チ ッ プ セ ラ (S L)			
C360	US061220	CERAMIC CAPACITOR-CH (CHIP)	22P 50V J RECT.	チ ッ プ セ ラ (C H)			
C361	US061220	CERAMIC CAPACITOR-CH (CHIP)	22P 50V J RECT.	チ ッ プ セ ラ (C H)			
C362	UR857470	ELECTROLYTIC CAPACITOR	47.00 35.0V RX TP	ケ ミ コ ン			
C363	UR857470	ELECTROLYTIC CAPACITOR	47.00 35.0V RX TP	ケ ミ コ ン			

*: New Parts

RANK: Japan only

PHONES/ST1/ST2/STJK

REF NO.	PART NO.	DESCRIPTION		部 品 名	REMARKS	QTY	RANK
C401	UR867100	ELECTROLYTIC CAPACITOR	10.00 50.0V RX TP	ケ ミ コ ン			
C402	UR867100	ELECTROLYTIC CAPACITOR	10.00 50.0V RX TP	ケ ミ コ ン			
C410	UR858100	ELECTROLYTIC CAPACITOR	100.00 35.0V RX TP	ケ ミ コ ン			
C411	US064100	CERAMIC CAPACITOR-B (CHIP)	0.0100 50V K RECT.	チ ッ プ セ ラ (B)			
C412	US064100	CERAMIC CAPACITOR-B (CHIP)	0.0100 50V K RECT.	チ ッ プ セ ラ (B)			
C413	UR858100	ELECTROLYTIC CAPACITOR	100.00 35.0V RX TP	ケ ミ コ ン			
C414	US062100	CERAMIC CAPACITOR-SL (CHIP)	100P 50V J RECT.	チ ッ プ セ ラ (S L)			
C415	US062100	CERAMIC CAPACITOR-SL (CHIP)	100P 50V J RECT.	チ ッ プ セ ラ (S L)			
C416	US064100	CERAMIC CAPACITOR-B (CHIP)	0.0100 50V K RECT.	チ ッ プ セ ラ (B)			
C417	UR828470	ELECTROLYTIC CAPACITOR	470.00 10.0V RX TP	ケ ミ コ ン			
C418	UR828470	ELECTROLYTIC CAPACITOR	470.00 10.0V RX TP	ケ ミ コ ン			
C419	US062100	CERAMIC CAPACITOR-SL (CHIP)	100P 50V J RECT.	チ ッ プ セ ラ (S L)			
C420	US064100	CERAMIC CAPACITOR-B (CHIP)	0.0100 50V K RECT.	チ ッ プ セ ラ (B)			
C421	US062100	CERAMIC CAPACITOR-SL (CHIP)	100P 50V J RECT.	チ ッ プ セ ラ (S L)			
C422	US064100	CERAMIC CAPACITOR-B (CHIP)	0.0100 50V K RECT.	チ ッ プ セ ラ (B)			
C423	US061470	CERAMIC CAPACITOR-CH (CHIP)	47P 50V J RECT.	チ ッ プ セ ラ (C H)			
C424	US061470	CERAMIC CAPACITOR-CH (CHIP)	47P 50V J RECT.	チ ッ プ セ ラ (C H)			
C425	US064100	CERAMIC CAPACITOR-B (CHIP)	0.0100 50V K RECT.	チ ッ プ セ ラ (B)			
C426	UR867100	ELECTROLYTIC CAPACITOR	10.00 50.0V RX TP	ケ ミ コ ン			
C427	UR867100	ELECTROLYTIC CAPACITOR	10.00 50.0V RX TP	ケ ミ コ ン			
C428	US064100	CERAMIC CAPACITOR-B (CHIP)	0.0100 50V K RECT.	チ ッ プ セ ラ (B)			
C429	US064100	CERAMIC CAPACITOR-B (CHIP)	0.0100 50V K RECT.	チ ッ プ セ ラ (B)			
C430	US062220	CERAMIC CAPACITOR-SL (CHIP)	220P 50V J RECT.	チ ッ プ セ ラ (S L)			
C431	US062220	CERAMIC CAPACITOR-SL (CHIP)	220P 50V J RECT.	チ ッ プ セ ラ (S L)			
C432	US064100	CERAMIC CAPACITOR-B (CHIP)	0.0100 50V K RECT.	チ ッ プ セ ラ (B)			
C433	US06168R	CERAMIC CAPACITOR-SL (CHIP)	68P 50V J RECT.	チ ッ プ セ ラ (S L)			01
C434	US06168R	CERAMIC CAPACITOR-SL (CHIP)	68P 50V J RECT.	チ ッ プ セ ラ (S L)			01
C435	UR857470	ELECTROLYTIC CAPACITOR	47.00 35.0V RX TP	ケ ミ コ ン			
C436	UR857470	ELECTROLYTIC CAPACITOR	47.00 35.0V RX TP	ケ ミ コ ン			
C437	US064100	CERAMIC CAPACITOR-B (CHIP)	0.0100 50V K RECT.	チ ッ プ セ ラ (B)			
C438	UA354390	POLYESTER FILM CAPACITOR	0.0390 50V J RX TP	マ イ ラ - コ ン			01
C438	UA654390	POLYESTER FILM CAPACITOR	0.0390 50V J RX TP	マ イ ラ - コ ン			
C439	UA354390	POLYESTER FILM CAPACITOR	0.0390 50V J RX TP	マ イ ラ - コ ン			01
C439	UA654390	POLYESTER FILM CAPACITOR	0.0390 50V J RX TP	マ イ ラ - コ ン			
C440	UA352820	POLYESTER FILM CAPACITOR	820P 50V J RX TP	マ イ ラ - コ ン			
C440	UA652820	POLYESTER FILM CAPACITOR	820P 50V J RX TP	マ イ ラ - コ ン			
C441	UA352820	POLYESTER FILM CAPACITOR	820P 50V J RX TP	マ イ ラ - コ ン			
C441	UA652820	POLYESTER FILM CAPACITOR	820P 50V J RX TP	マ イ ラ - コ ン			
C442	US061100	CERAMIC CAPACITOR-CH (CHIP)	10P 50V D RECT.	チ ッ プ セ ラ (C H)			
C443	US062100	CERAMIC CAPACITOR-SL (CHIP)	100P 50V J RECT.	チ ッ プ セ ラ (S L)			
C444	US061100	CERAMIC CAPACITOR-CH (CHIP)	10P 50V D RECT.	チ ッ プ セ ラ (C H)			
C445	US062100	CERAMIC CAPACITOR-SL (CHIP)	100P 50V J RECT.	チ ッ プ セ ラ (S L)			
C446	UA353220	POLYESTER FILM CAPACITOR	2200P 50V J RX TP	マ イ ラ - コ ン			
C446	UA653220	POLYESTER FILM CAPACITOR	2200P 50V J RX TP	マ イ ラ - コ ン			
C447	UA352820	POLYESTER FILM CAPACITOR	820P 50V J RX TP	マ イ ラ - コ ン			
C447	UA652820	POLYESTER FILM CAPACITOR	820P 50V J RX TP	マ イ ラ - コ ン			
C448	UA353220	POLYESTER FILM CAPACITOR	2200P 50V J RX TP	マ イ ラ - コ ン			
C448	UA653220	POLYESTER FILM CAPACITOR	2200P 50V J RX TP	マ イ ラ - コ ン			
C449	UA352820	POLYESTER FILM CAPACITOR	820P 50V J RX TP	マ イ ラ - コ ン			
C449	UA652820	POLYESTER FILM CAPACITOR	820P 50V J RX TP	マ イ ラ - コ ン			
C450	US062100	CERAMIC CAPACITOR-SL (CHIP)	100P 50V J RECT.	チ ッ プ セ ラ (S L)			
C451	US062100	CERAMIC CAPACITOR-SL (CHIP)	100P 50V J RECT.	チ ッ プ セ ラ (S L)			
C452	US061220	CERAMIC CAPACITOR-CH (CHIP)	22P 50V J RECT.	チ ッ プ セ ラ (C H)			
C453	US061220	CERAMIC CAPACITOR-CH (CHIP)	22P 50V J RECT.	チ ッ プ セ ラ (C H)			
C454	UA353820	POLYESTER FILM CAPACITOR	8200P 50V J RX TP	マ イ ラ - コ ン			01
C454	UA653820	POLYESTER FILM CAPACITOR	8200P 50V J RX TP	マ イ ラ - コ ン			
C455	UA353330	POLYESTER FILM CAPACITOR	3300P 50V J RX TP	マ イ ラ - コ ン			01
C455	UA653330	POLYESTER FILM CAPACITOR	3300P 50V J RX TP	マ イ ラ - コ ン			
C456	UA353820	POLYESTER FILM CAPACITOR	8200P 50V J RX TP	マ イ ラ - コ ン			01
C456	UA653820	POLYESTER FILM CAPACITOR	8200P 50V J RX TP	マ イ ラ - コ ン			
C457	UA353330	POLYESTER FILM CAPACITOR	3300P 50V J RX TP	マ イ ラ - コ ン			01
C457	UA653330	POLYESTER FILM CAPACITOR	3300P 50V J RX TP	マ イ ラ - コ ン			
C458	US062100	CERAMIC CAPACITOR-SL (CHIP)	100P 50V J RECT.	チ ッ プ セ ラ (S L)			
C459	US062100	CERAMIC CAPACITOR-SL (CHIP)	100P 50V J RECT.	チ ッ プ セ ラ (S L)			
C460	US061220	CERAMIC CAPACITOR-CH (CHIP)	22P 50V J RECT.	チ ッ プ セ ラ (C H)			
C461	US061220	CERAMIC CAPACITOR-CH (CHIP)	22P 50V J RECT.	チ ッ プ セ ラ (C H)			
C462	UR857470	ELECTROLYTIC CAPACITOR	47.00 35.0V RX TP	ケ ミ コ ン			
C463	UR857470	ELECTROLYTIC CAPACITOR	47.00 35.0V RX TP	ケ ミ コ ン			
C501	US063100	CERAMIC CAPACITOR-B (CHIP)	1000P 50V K RECT.	チ ッ プ セ ラ (B)			
C502	US062100	CERAMIC CAPACITOR-SL (CHIP)	100P 50V J RECT.	チ ッ プ セ ラ (S L)			

*: New Parts

RANK: Japan only

PHONES/ST1/ST2/STJK

REF NO.	PART NO.	DESCRIPTION		部 品 名	REMARKS	QTY	RANK
C503	US063100	CERAMIC CAPACITOR-B (CHIP)	1000P 50V K RECT.	チ ッ プ セ ラ (B)			
C504	US062100	CERAMIC CAPACITOR-SL (CHIP)	100P 50V J RECT.	チ ッ プ セ ラ (S L)			
C505	US063100	CERAMIC CAPACITOR-B (CHIP)	1000P 50V K RECT.	チ ッ プ セ ラ (B)			
C510	US063100	CERAMIC CAPACITOR-B (CHIP)	1000P 50V K RECT.	チ ッ プ セ ラ (B)			
C511	US064100	CERAMIC CAPACITOR-B (CHIP)	0.0100 50V K RECT.	チ ッ プ セ ラ (B)			
C512	US064100	CERAMIC CAPACITOR-B (CHIP)	0.0100 50V K RECT.	チ ッ プ セ ラ (B)			
C515	US064100	CERAMIC CAPACITOR-B (CHIP)	0.0100 50V K RECT.	チ ッ プ セ ラ (B)			
C518	US064100	CERAMIC CAPACITOR-B (CHIP)	0.0100 50V K RECT.	チ ッ プ セ ラ (B)			
-523	US064100	CERAMIC CAPACITOR-B (CHIP)	0.0100 50V K RECT.	チ ッ プ セ ラ (B)			
C524	UR866470	ELECTROLYTIC CAPACITOR	4.70 50.0V RX TP	ケ ミ コ ン			
C525	US064100	CERAMIC CAPACITOR-B (CHIP)	0.0100 50V K RECT.	チ ッ プ セ ラ (B)			
C526	US062100	CERAMIC CAPACITOR-SL (CHIP)	100P 50V J RECT.	チ ッ プ セ ラ (S L)			
C527	US062100	CERAMIC CAPACITOR-SL (CHIP)	100P 50V J RECT.	チ ッ プ セ ラ (S L)			
C528	US064100	CERAMIC CAPACITOR-B (CHIP)	0.0100 50V K RECT.	チ ッ プ セ ラ (B)			
C529	US062470	CERAMIC CAPACITOR-SL (CHIP)	470P 50V J RECT.	チ ッ プ セ ラ (S L)			01
C530	US062470	CERAMIC CAPACITOR-SL (CHIP)	470P 50V J RECT.	チ ッ プ セ ラ (S L)			01
C531	UR866100	ELECTROLYTIC CAPACITOR	1.00 50.0V RX TP	ケ ミ コ ン			
C532	US064100	CERAMIC CAPACITOR-B (CHIP)	0.0100 50V K RECT.	チ ッ プ セ ラ (B)			
C533	US064100	CERAMIC CAPACITOR-B (CHIP)	0.0100 50V K RECT.	チ ッ プ セ ラ (B)			
C534	UR857470	ELECTROLYTIC CAPACITOR	47.00 35.0V RX TP	ケ ミ コ ン			
C535	UR857470	ELECTROLYTIC CAPACITOR	47.00 35.0V RX TP	ケ ミ コ ン			
C536	US064100	CERAMIC CAPACITOR-B (CHIP)	0.0100 50V K RECT.	チ ッ プ セ ラ (B)			
C537	UR867100	ELECTROLYTIC CAPACITOR	10.00 50.0V RX TP	ケ ミ コ ン			
C538	UR867100	ELECTROLYTIC CAPACITOR	10.00 50.0V RX TP	ケ ミ コ ン			
C539	US062100	CERAMIC CAPACITOR-SL (CHIP)	100P 50V J RECT.	チ ッ プ セ ラ (S L)			
-542	US062100	CERAMIC CAPACITOR-SL (CHIP)	100P 50V J RECT.	チ ッ プ セ ラ (S L)			
C544	US061470	CERAMIC CAPACITOR-CH (CHIP)	47P 50V J RECT.	チ ッ プ セ ラ (C H)			
C545	US061470	CERAMIC CAPACITOR-CH (CHIP)	47P 50V J RECT.	チ ッ プ セ ラ (C H)			
C546	UR867100	ELECTROLYTIC CAPACITOR	10.00 50.0V RX TP	ケ ミ コ ン			
C547	UR867100	ELECTROLYTIC CAPACITOR	10.00 50.0V RX TP	ケ ミ コ ン			
C548	UR857470	ELECTROLYTIC CAPACITOR	47.00 35.0V RX TP	ケ ミ コ ン			
-550	UR857470	ELECTROLYTIC CAPACITOR	47.00 35.0V RX TP	ケ ミ コ ン			
C551	US062220	CERAMIC CAPACITOR-SL (CHIP)	220P 50V J RECT.	チ ッ プ セ ラ (S L)			
C552	US06168R	CERAMIC CAPACITOR-SL (CHIP)	68P 50V J RECT.	チ ッ プ セ ラ (S L)			01
C553	UR857470	ELECTROLYTIC CAPACITOR	47.00 35.0V RX TP	ケ ミ コ ン			
C554	US062220	CERAMIC CAPACITOR-SL (CHIP)	220P 50V J RECT.	チ ッ プ セ ラ (S L)			
C555	US062100	CERAMIC CAPACITOR-SL (CHIP)	100P 50V J RECT.	チ ッ プ セ ラ (S L)			
C556	US06168R	CERAMIC CAPACITOR-SL (CHIP)	68P 50V J RECT.	チ ッ プ セ ラ (S L)			01
C557	US061220	CERAMIC CAPACITOR-CH (CHIP)	22P 50V J RECT.	チ ッ プ セ ラ (C H)			
C558	UR857470	ELECTROLYTIC CAPACITOR	47.00 35.0V RX TP	ケ ミ コ ン			
C559	UR857470	ELECTROLYTIC CAPACITOR	47.00 35.0V RX TP	ケ ミ コ ン			
C560	UR867100	ELECTROLYTIC CAPACITOR	10.00 50.0V RX TP	ケ ミ コ ン			
C561	UR867100	ELECTROLYTIC CAPACITOR	10.00 50.0V RX TP	ケ ミ コ ン			
C562	US062220	CERAMIC CAPACITOR-SL (CHIP)	220P 50V J RECT.	チ ッ プ セ ラ (S L)			
-565	US062220	CERAMIC CAPACITOR-SL (CHIP)	220P 50V J RECT.	チ ッ プ セ ラ (S L)			
C568	UR818220	ELECTROLYTIC CAPACITOR	220.00 6.3V RX TP	ケ ミ コ ン			
C569	UR818220	ELECTROLYTIC CAPACITOR	220.00 6.3V RX TP	ケ ミ コ ン			
C570	US064100	CERAMIC CAPACITOR-B (CHIP)	0.0100 50V K RECT.	チ ッ プ セ ラ (B)			
C571	US064100	CERAMIC CAPACITOR-B (CHIP)	0.0100 50V K RECT.	チ ッ プ セ ラ (B)			
C610	US063100	CERAMIC CAPACITOR-B (CHIP)	1000P 50V K RECT.	チ ッ プ セ ラ (B)			
C613	US064100	CERAMIC CAPACITOR-B (CHIP)	0.0100 50V K RECT.	チ ッ プ セ ラ (B)			
C616	US064100	CERAMIC CAPACITOR-B (CHIP)	0.0100 50V K RECT.	チ ッ プ セ ラ (B)			
-620	US064100	CERAMIC CAPACITOR-B (CHIP)	0.0100 50V K RECT.	チ ッ プ セ ラ (B)			
C621	UR866470	ELECTROLYTIC CAPACITOR	4.70 50.0V RX TP	ケ ミ コ ン			
C622	US064100	CERAMIC CAPACITOR-B (CHIP)	0.0100 50V K RECT.	チ ッ プ セ ラ (B)			
C623	US062100	CERAMIC CAPACITOR-SL (CHIP)	100P 50V J RECT.	チ ッ プ セ ラ (S L)			
C624	US062100	CERAMIC CAPACITOR-SL (CHIP)	100P 50V J RECT.	チ ッ プ セ ラ (S L)			
C625	US064100	CERAMIC CAPACITOR-B (CHIP)	0.0100 50V K RECT.	チ ッ プ セ ラ (B)			
C626	US062470	CERAMIC CAPACITOR-SL (CHIP)	470P 50V J RECT.	チ ッ プ セ ラ (S L)			01
C627	US062470	CERAMIC CAPACITOR-SL (CHIP)	470P 50V J RECT.	チ ッ プ セ ラ (S L)			01
C628	UR866100	ELECTROLYTIC CAPACITOR	1.00 50.0V RX TP	ケ ミ コ ン			
C629	US064100	CERAMIC CAPACITOR-B (CHIP)	0.0100 50V K RECT.	チ ッ プ セ ラ (B)			
C630	US064100	CERAMIC CAPACITOR-B (CHIP)	0.0100 50V K RECT.	チ ッ プ セ ラ (B)			
C631	UR857470	ELECTROLYTIC CAPACITOR	47.00 35.0V RX TP	ケ ミ コ ン			
C632	UR857470	ELECTROLYTIC CAPACITOR	47.00 35.0V RX TP	ケ ミ コ ン			
C633	US064100	CERAMIC CAPACITOR-B (CHIP)	0.0100 50V K RECT.	チ ッ プ セ ラ (B)			
C634	UR867100	ELECTROLYTIC CAPACITOR	10.00 50.0V RX TP	ケ ミ コ ン			
C635	UR867100	ELECTROLYTIC CAPACITOR	10.00 50.0V RX TP	ケ ミ コ ン			
C636	US062100	CERAMIC CAPACITOR-SL (CHIP)	100P 50V J RECT.	チ ッ プ セ ラ (S L)			
-639	US062100	CERAMIC CAPACITOR-SL (CHIP)	100P 50V J RECT.	チ ッ プ セ ラ (S L)			

*: New Parts

RANK: Japan only

PHONES/ST1/ST2/STJK

REF NO.	PART NO.	DESCRIPTION	部 品 名	REMARKS	QTY	RANK
C640	US061470	CERAMIC CAPACITOR-CH (CHIP)	47P 50V J RECT.	チ ッ プ セ ラ (C H)		
C641	US061470	CERAMIC CAPACITOR-CH (CHIP)	47P 50V J RECT.	チ ッ プ セ ラ (C H)		
C642	UR857470	ELECTROLYTIC CAPACITOR	47.00 35.0V RX TP	ケ ミ コ ン		
-644	UR857470	ELECTROLYTIC CAPACITOR	47.00 35.0V RX TP	ケ ミ コ ン		
C645	US062220	CERAMIC CAPACITOR-SL (CHIP)	220P 50V J RECT.	チ ッ プ セ ラ (S L)		
C646	US06168R	CERAMIC CAPACITOR-SL (CHIP)	68P 50V J RECT.	チ ッ プ セ ラ (S L)		01
C647	UR857470	ELECTROLYTIC CAPACITOR	47.00 35.0V RX TP	ケ ミ コ ン		
C648	US062220	CERAMIC CAPACITOR-SL (CHIP)	220P 50V J RECT.	チ ッ プ セ ラ (S L)		
C649	US062100	CERAMIC CAPACITOR-SL (CHIP)	100P 50V J RECT.	チ ッ プ セ ラ (S L)		
C650	US06168R	CERAMIC CAPACITOR-SL (CHIP)	68P 50V J RECT.	チ ッ プ セ ラ (S L)		01
C651	US061220	CERAMIC CAPACITOR-CH (CHIP)	22P 50V J RECT.	チ ッ プ セ ラ (C H)		
C652	UR857470	ELECTROLYTIC CAPACITOR	47.00 35.0V RX TP	ケ ミ コ ン		
C653	UR857470	ELECTROLYTIC CAPACITOR	47.00 35.0V RX TP	ケ ミ コ ン		
C654	US062220	CERAMIC CAPACITOR-SL (CHIP)	220P 50V J RECT.	チ ッ プ セ ラ (S L)		
-657	US062220	CERAMIC CAPACITOR-SL (CHIP)	220P 50V J RECT.	チ ッ プ セ ラ (S L)		
C660	UR818220	ELECTROLYTIC CAPACITOR	220.00 6.3V RX TP	ケ ミ コ ン		
C661	UR818220	ELECTROLYTIC CAPACITOR	220.00 6.3V RX TP	ケ ミ コ ン		
C662	US064100	CERAMIC CAPACITOR-B (CHIP)	0.0100 50V K RECT.	チ ッ プ セ ラ (B)		
C663	US064100	CERAMIC CAPACITOR-B (CHIP)	0.0100 50V K RECT.	チ ッ プ セ ラ (B)		
C710	US063100	CERAMIC CAPACITOR-B (CHIP)	1000P 50V K RECT.	チ ッ プ セ ラ (B)		
C711	US064100	CERAMIC CAPACITOR-B (CHIP)	0.0100 50V K RECT.	チ ッ プ セ ラ (B)		
C715	US064100	CERAMIC CAPACITOR-B (CHIP)	0.0100 50V K RECT.	チ ッ プ セ ラ (B)		
C718	US064100	CERAMIC CAPACITOR-B (CHIP)	0.0100 50V K RECT.	チ ッ プ セ ラ (B)		
-722	US064100	CERAMIC CAPACITOR-B (CHIP)	0.0100 50V K RECT.	チ ッ プ セ ラ (B)		
C723	UR866470	ELECTROLYTIC CAPACITOR	4.70 50.0V RX TP	ケ ミ コ ン		
C724	US064100	CERAMIC CAPACITOR-B (CHIP)	0.0100 50V K RECT.	チ ッ プ セ ラ (B)		
C725	US062100	CERAMIC CAPACITOR-SL (CHIP)	100P 50V J RECT.	チ ッ プ セ ラ (S L)		
C726	US062100	CERAMIC CAPACITOR-SL (CHIP)	100P 50V J RECT.	チ ッ プ セ ラ (S L)		
C727	US064100	CERAMIC CAPACITOR-B (CHIP)	0.0100 50V K RECT.	チ ッ プ セ ラ (B)		
C728	US062470	CERAMIC CAPACITOR-SL (CHIP)	470P 50V J RECT.	チ ッ プ セ ラ (S L)		01
C729	US062470	CERAMIC CAPACITOR-SL (CHIP)	470P 50V J RECT.	チ ッ プ セ ラ (S L)		01
C730	UR866100	ELECTROLYTIC CAPACITOR	1.00 50.0V RX TP	ケ ミ コ ン		
C731	US064100	CERAMIC CAPACITOR-B (CHIP)	0.0100 50V K RECT.	チ ッ プ セ ラ (B)		
C732	US064100	CERAMIC CAPACITOR-B (CHIP)	0.0100 50V K RECT.	チ ッ プ セ ラ (B)		
C733	UR857470	ELECTROLYTIC CAPACITOR	47.00 35.0V RX TP	ケ ミ コ ン		
C734	UR857470	ELECTROLYTIC CAPACITOR	47.00 35.0V RX TP	ケ ミ コ ン		
C735	US064100	CERAMIC CAPACITOR-B (CHIP)	0.0100 50V K RECT.	チ ッ プ セ ラ (B)		
-737	US064100	CERAMIC CAPACITOR-B (CHIP)	0.0100 50V K RECT.	チ ッ プ セ ラ (B)		
C738	UR867100	ELECTROLYTIC CAPACITOR	10.00 50.0V RX TP	ケ ミ コ ン		
C739	UR867100	ELECTROLYTIC CAPACITOR	10.00 50.0V RX TP	ケ ミ コ ン		
C740	US062100	CERAMIC CAPACITOR-SL (CHIP)	100P 50V J RECT.	チ ッ プ セ ラ (S L)		
-743	US062100	CERAMIC CAPACITOR-SL (CHIP)	100P 50V J RECT.	チ ッ プ セ ラ (S L)		
C744	US061470	CERAMIC CAPACITOR-CH (CHIP)	47P 50V J RECT.	チ ッ プ セ ラ (C H)		
C745	US061470	CERAMIC CAPACITOR-CH (CHIP)	47P 50V J RECT.	チ ッ プ セ ラ (C H)		
C746	UR857470	ELECTROLYTIC CAPACITOR	47.00 35.0V RX TP	ケ ミ コ ン		
-748	UR857470	ELECTROLYTIC CAPACITOR	47.00 35.0V RX TP	ケ ミ コ ン		
C749	US062220	CERAMIC CAPACITOR-SL (CHIP)	220P 50V J RECT.	チ ッ プ セ ラ (S L)		
C750	US06168R	CERAMIC CAPACITOR-SL (CHIP)	68P 50V J RECT.	チ ッ プ セ ラ (S L)		01
C751	UR857470	ELECTROLYTIC CAPACITOR	47.00 35.0V RX TP	ケ ミ コ ン		
C752	US062220	CERAMIC CAPACITOR-SL (CHIP)	220P 50V J RECT.	チ ッ プ セ ラ (S L)		
C753	US062100	CERAMIC CAPACITOR-SL (CHIP)	100P 50V J RECT.	チ ッ プ セ ラ (S L)		
C754	US06168R	CERAMIC CAPACITOR-SL (CHIP)	68P 50V J RECT.	チ ッ プ セ ラ (S L)		01
C755	US061220	CERAMIC CAPACITOR-CH (CHIP)	22P 50V J RECT.	チ ッ プ セ ラ (C H)		
C756	UR857470	ELECTROLYTIC CAPACITOR	47.00 35.0V RX TP	ケ ミ コ ン		
C757	UR857470	ELECTROLYTIC CAPACITOR	47.00 35.0V RX TP	ケ ミ コ ン		
C758	US062220	CERAMIC CAPACITOR-SL (CHIP)	220P 50V J RECT.	チ ッ プ セ ラ (S L)		
-761	US062220	CERAMIC CAPACITOR-SL (CHIP)	220P 50V J RECT.	チ ッ プ セ ラ (S L)		
C764	UR818220	ELECTROLYTIC CAPACITOR	220.00 6.3V RX TP	ケ ミ コ ン		
C765	UR818220	ELECTROLYTIC CAPACITOR	220.00 6.3V RX TP	ケ ミ コ ン		
C766	US064100	CERAMIC CAPACITOR-B (CHIP)	0.0100 50V K RECT.	チ ッ プ セ ラ (B)		
C767	US064100	CERAMIC CAPACITOR-B (CHIP)	0.0100 50V K RECT.	チ ッ プ セ ラ (B)		
C810	US063100	CERAMIC CAPACITOR-B (CHIP)	1000P 50V K RECT.	チ ッ プ セ ラ (B)		
C814	US064100	CERAMIC CAPACITOR-B (CHIP)	0.0100 50V K RECT.	チ ッ プ セ ラ (B)		
C817	US064100	CERAMIC CAPACITOR-B (CHIP)	0.0100 50V K RECT.	チ ッ プ セ ラ (B)		
-821	US064100	CERAMIC CAPACITOR-B (CHIP)	0.0100 50V K RECT.	チ ッ プ セ ラ (B)		
C822	UR866470	ELECTROLYTIC CAPACITOR	4.70 50.0V RX TP	ケ ミ コ ン		
C823	US064100	CERAMIC CAPACITOR-B (CHIP)	0.0100 50V K RECT.	チ ッ プ セ ラ (B)		
C824	US062100	CERAMIC CAPACITOR-SL (CHIP)	100P 50V J RECT.	チ ッ プ セ ラ (S L)		
C825	US062100	CERAMIC CAPACITOR-SL (CHIP)	100P 50V J RECT.	チ ッ プ セ ラ (S L)		
C826	US064100	CERAMIC CAPACITOR-B (CHIP)	0.0100 50V K RECT.	チ ッ プ セ ラ (B)		

*: New Parts

RANK: Japan only

PHONES/ST1/ST2/STJK

REF NO.	PART NO.	DESCRIPTION	部 品 名	REMARKS	QTY	RANK
C827	US062470	CERAMIC CAPACITOR-SL (CHIP)	470P 50V J RECT.	チ ッ プ セ ラ (S L)		01
C828	US062470	CERAMIC CAPACITOR-SL (CHIP)	470P 50V J RECT.	チ ッ プ セ ラ (S L)		01
C829	UR866100	ELECTROLYTIC CAPACITOR	1.00 50.0V RX TP	ケ ミ コ ン		
C830	US064100	CERAMIC CAPACITOR-B (CHIP)	0.0100 50V K RECT.	チ ッ プ セ ラ (B)		
C831	US064100	CERAMIC CAPACITOR-B (CHIP)	0.0100 50V K RECT.	チ ッ プ セ ラ (B)		
C832	UR857470	ELECTROLYTIC CAPACITOR	47.00 35.0V RX TP	ケ ミ コ ン		
C833	UR857470	ELECTROLYTIC CAPACITOR	47.00 35.0V RX TP	ケ ミ コ ン		
C834	US064100	CERAMIC CAPACITOR-B (CHIP)	0.0100 50V K RECT.	チ ッ プ セ ラ (B)		
C835	UR867100	ELECTROLYTIC CAPACITOR	10.00 50.0V RX TP	ケ ミ コ ン		
C836	UR867100	ELECTROLYTIC CAPACITOR	10.00 50.0V RX TP	ケ ミ コ ン		
C837	US062100	CERAMIC CAPACITOR-SL (CHIP)	100P 50V J RECT.	チ ッ プ セ ラ (S L)		
-840	US062100	CERAMIC CAPACITOR-SL (CHIP)	100P 50V J RECT.	チ ッ プ セ ラ (S L)		
C841	US061470	CERAMIC CAPACITOR-CH (CHIP)	47P 50V J RECT.	チ ッ プ セ ラ (C H)		
C842	US061470	CERAMIC CAPACITOR-CH (CHIP)	47P 50V J RECT.	チ ッ プ セ ラ (C H)		
C843	UR857470	ELECTROLYTIC CAPACITOR	47.00 35.0V RX TP	ケ ミ コ ン		
-845	UR857470	ELECTROLYTIC CAPACITOR	47.00 35.0V RX TP	ケ ミ コ ン		
C846	US062220	CERAMIC CAPACITOR-SL (CHIP)	220P 50V J RECT.	チ ッ プ セ ラ (S L)		01
C847	US06168R	CERAMIC CAPACITOR-SL (CHIP)	68P 50V J RECT.	チ ッ プ セ ラ (S L)		
C848	UR857470	ELECTROLYTIC CAPACITOR	47.00 35.0V RX TP	ケ ミ コ ン		
C849	US062220	CERAMIC CAPACITOR-SL (CHIP)	220P 50V J RECT.	チ ッ プ セ ラ (S L)		
C850	US062100	CERAMIC CAPACITOR-SL (CHIP)	100P 50V J RECT.	チ ッ プ セ ラ (S L)		01
C851	US06168R	CERAMIC CAPACITOR-SL (CHIP)	68P 50V J RECT.	チ ッ プ セ ラ (S L)		
C852	US061220	CERAMIC CAPACITOR-CH (CHIP)	22P 50V J RECT.	チ ッ プ セ ラ (C H)		
C853	UR857470	ELECTROLYTIC CAPACITOR	47.00 35.0V RX TP	ケ ミ コ ン		
C854	UR857470	ELECTROLYTIC CAPACITOR	47.00 35.0V RX TP	ケ ミ コ ン		
C855	US062220	CERAMIC CAPACITOR-SL (CHIP)	220P 50V J RECT.	チ ッ プ セ ラ (S L)		
-858	US062220	CERAMIC CAPACITOR-SL (CHIP)	220P 50V J RECT.	チ ッ プ セ ラ (S L)		
C861	UR818220	ELECTROLYTIC CAPACITOR	220.00 6.3V RX TP	ケ ミ コ ン		
C862	UR818220	ELECTROLYTIC CAPACITOR	220.00 6.3V RX TP	ケ ミ コ ン		
C863	US064100	CERAMIC CAPACITOR-B (CHIP)	0.0100 50V K RECT.	チ ッ プ セ ラ (B)		
C864	US064100	CERAMIC CAPACITOR-B (CHIP)	0.0100 50V K RECT.	チ ッ プ セ ラ (B)		
CN101	VB390500	CONNECTOR BASE POST, TOP	PH 9P TE	ベ ー ス ポ ス ト		
CN110	VB390500	CONNECTOR BASE POST, TOP	PH 9P TE	ベ ー ス ポ ス ト		
CN111	VK025200	CONNECTOR BASE PIN	52147 8P TE	ワ イ ヤ ー ト ラ ッ プ		
CN210	VB390200	CONNECTOR BASE POST, TOP	PH 6P TE	ベ ー ス ポ ス ト		01
CN301	VB390500	CONNECTOR BASE POST, TOP	PH 9P TE	ベ ー ス ポ ス ト		
CN310	VB390500	CONNECTOR BASE POST, TOP	PH 9P TE	ベ ー ス ポ ス ト		
CN311	VK025200	CONNECTOR BASE PIN	52147 8P TE	ワ イ ヤ ー ト ラ ッ プ		
CN501	VB858700	CONNECTOR BASE POST, SIDE	PH 8P SE	ベ ー ス ポ ス ト		
CN510	VK025200	CONNECTOR BASE PIN	52147 8P TE	ワ イ ヤ ー ト ラ ッ プ		
CN511	VB39060R	CONNECTOR BASE POST, TOP	PH 10P TE	ベ ー ス ポ ス ト		01
CN512	VB39080R	CONNECTOR BASE POST, TOP	PH 12P TE	ベ ー ス ポ ス ト		01
CN513	VB39070R	CONNECTOR BASE POST, TOP	PH 11P TE	ベ ー ス ポ ス ト		01
CN514	VB390500	CONNECTOR BASE POST, TOP	PH 9P TE	ベ ー ス ポ ス ト		
CN515	VB38990R	CONNECTOR BASE POST, TOP	PH 3P TE	ベ ー ス ポ ス ト		01
CN516	VB39030R	CONNECTOR BASE POST, TOP	PH 7P TE	ベ ー ス ポ ス ト		01
CN710	VK025200	CONNECTOR BASE PIN	52147 8P TE	ワ イ ヤ ー ト ラ ッ プ		
D510	VT332900	DIODE	1SS355 TE-17 TP	ダ イ オ ー ド		
-518	VT332900	DIODE	1SS355 TE-17 TP	ダ イ オ ー ド		
D610	VT332900	DIODE	1SS355 TE-17 TP	ダ イ オ ー ド		
-618	VT332900	DIODE	1SS355 TE-17 TP	ダ イ オ ー ド		
D710	VT332900	DIODE	1SS355 TE-17 TP	ダ イ オ ー ド		
-718	VT332900	DIODE	1SS355 TE-17 TP	ダ イ オ ー ド		
D810	VT332900	DIODE	1SS355 TE-17 TP	ダ イ オ ー ド		
-818	VT332900	DIODE	1SS355 TE-17 TP	ダ イ オ ー ド		
IC110	X3505A00	IC	NJM2068M-D(Te2)	I C	OP AMP	
-114	X3505A00	IC	NJM2068M-D(Te2)	I C	OP AMP	
IC210	X3505A00	IC	NJM2068M-D(Te2)	I C	OP AMP	
-214	X3505A00	IC	NJM2068M-D(Te2)	I C	OP AMP	
IC310	X3505A00	IC	NJM2068M-D(Te2)	I C	OP AMP	
-314	X3505A00	IC	NJM2068M-D(Te2)	I C	OP AMP	
IC410	X3505A00	IC	NJM2068M-D(Te2)	I C	OP AMP	
-414	X3505A00	IC	NJM2068M-D(Te2)	I C	OP AMP	
IC510	XY879A00	IC	TC74HC4053AF(EL,F)	I C	MULTIPLEXER	03
IC511	XW876B00	IC	TC74VHC14F(EL,K,F)	I C	INVERTER	01
IC512	X6897A00	IC	BA4560RF-E2	I C	OP AMP	
IC513	X6266A0R	IC	BA10339F-E2	I C	COMPARATOR	01
IC514	X3505A00	IC	NJM2068M-D(Te2)	I C	OP AMP	
-518	X3505A00	IC	NJM2068M-D(Te2)	I C	OP AMP	
IC610	XY879A00	IC	TC74HC4053AF(EL,F)	I C	MULTIPLEXER	03

*: New Parts

RANK: Japan only

PHONES/ST1/ST2/STJK

REF NO.	PART NO.	DESCRIPTION	部 品 名	REMARKS	QTY	RANK
IC611	X6897A00	IC	BA4560RF-E2	I C		
IC612	X6266A0R	IC	BA10339F-E2	I C	OP AMP	01
IC613	X3505A00	IC	NJM2068M-D(TE2)	I C	COMPARATOR	
-616	X3505A00	IC	NJM2068M-D(TE2)	I C	OP AMP	
IC710	XY879A00	IC	TC74HC4053AF(EL,F)	I C	OP AMP	03
IC711	XW876B00	IC	TC74VHC14F(EL,K,F)	I C	MULTIPLEXER	
IC712	X6897A00	IC	BA4560RF-E2	I C	INVERTER	01
IC713	X6266A0R	IC	BA10339F-E2	I C	OP AMP	
IC714	X3505A00	IC	NJM2068M-D(TE2)	I C	COMPARATOR	01
-718	X3505A00	IC	NJM2068M-D(TE2)	I C	OP AMP	
IC810	XY879A00	IC	TC74HC4053AF(EL,F)	I C	OP AMP	03
IC811	X6897A00	IC	BA4560RF-E2	I C	MULTIPLEXER	
IC812	X6266A0R	IC	BA10339F-E2	I C	OP AMP	01
IC813	X3505A00	IC	NJM2068M-D(TE2)	I C	COMPARATOR	
-816	X3505A00	IC	NJM2068M-D(TE2)	I C	OP AMP	
JK101	WH919000	PHONE JACK	ST MSJ-064-30B B	ホ ー ン コ ネ ク タ	STEREO INPUT CH LINE 1 INPUT A L	01
JK102	WH919000	PHONE JACK	ST MSJ-064-30B B	ホ ー ン コ ネ ク タ	STEREO INPUT CH LINE 1 INPUT A R	01
JK103	V9812801	PIN CONNECTOR 4P	MSP-247H1-01 NI	ピ ン コ ネ ク タ 4 P	STEREO INPUT CH LINE 1,2 INPUT B	
JK201	WH919000	PHONE JACK	ST MSJ-064-30B B	ホ ー ン コ ネ ク タ	STEREO INPUT CH LINE 2 INPUT A L	01
JK202	WH919000	PHONE JACK	ST MSJ-064-30B B	ホ ー ン コ ネ ク タ	STEREO INPUT CH LINE 2 INPUT A R	01
JK301	WH919000	PHONE JACK	ST MSJ-064-30B B	ホ ー ン コ ネ ク タ	STEREO INPUT CH LINE 3 INPUT A L	01
JK302	WH919000	PHONE JACK	ST MSJ-064-30B B	ホ ー ン コ ネ ク タ	STEREO INPUT CH LINE 3 INPUT A R	01
JK303	V9812801	PIN CONNECTOR 4P	MSP-247H1-01 NI	ピ ン コ ネ ク タ 4 P	STEREO INPUT CH LINE 3,4 INPUT B	
JK401	WH919000	PHONE JACK	ST MSJ-064-30B B	ホ ー ン コ ネ ク タ	STEREO INPUT CH LINE 4 INPUT A L	01
JK402	WH919000	PHONE JACK	ST MSJ-064-30B B	ホ ー ン コ ネ ク タ	STEREO INPUT CH LINE 4 INPUT A R	01
JK501	VE382300	PHONE JACK, BLACK	JACK YKB21-5010	ホ ー ン コ ネ ク タ	PHONES 1	01
JK502	VM55210R	PHONE JACK	HSJ0912-01-010	ホ ー ン コ ネ ク タ	2TR IN	02
K501	--	PHONE JACK ANGLE		P H J K ア ン グ ル	(WN51500)	
* LD510	WP841400	LED, YELLOW	HFY103PJW-3-B	L E D	STEREO INPUT 1 ON	
* LD511	WP841200	LED, RED	HFR203PJW-3-B	L E D	STEREO INPUT 1 PEAK	
* LD512	WP841400	LED, YELLOW	HFY103PJW-3-B	L E D	STEREO INPUT 1 0	
* LD513	WP841300	LED, GREEN	HFG203PJW-3-B	L E D	STEREO INPUT 1 -20	
* LD514	WP841400	LED, YELLOW	HFY103PJW-3-B	L E D	STEREO INPUT 1 PFL	
* LD610	WP841400	LED, YELLOW	HFY103PJW-3-B	L E D	STEREO INPUT 2 ON	
* LD611	WP841200	LED, RED	HFR203PJW-3-B	L E D	STEREO INPUT 2 PEAK	
* LD612	WP841400	LED, YELLOW	HFY103PJW-3-B	L E D	STEREO INPUT 2 0	
* LD613	WP841300	LED, GREEN	HFG203PJW-3-B	L E D	STEREO INPUT 2 -20	
* LD614	WP841400	LED, YELLOW	HFY103PJW-3-B	L E D	STEREO INPUT 2 PFL	
* LD710	WP841400	LED, YELLOW	HFY103PJW-3-B	L E D	STEREO INPUT 3 ON	
* LD711	WP841200	LED, RED	HFR203PJW-3-B	L E D	STEREO INPUT 3 PEAK	
* LD712	WP841400	LED, YELLOW	HFY103PJW-3-B	L E D	STEREO INPUT 3 0	
* LD713	WP841300	LED, GREEN	HFG203PJW-3-B	L E D	STEREO INPUT 3 -20	
* LD714	WP841400	LED, YELLOW	HFY103PJW-3-B	L E D	STEREO INPUT 3 PFL	
* LD810	WP841400	LED, YELLOW	HFY103PJW-3-B	L E D	STEREO INPUT 4 ON	
* LD811	WP841200	LED, RED	HFR203PJW-3-B	L E D	STEREO INPUT 4 PEAK	
* LD812	WP841400	LED, YELLOW	HFY103PJW-3-B	L E D	STEREO INPUT 4 0	
* LD813	WP841300	LED, GREEN	HFG203PJW-3-B	L E D	STEREO INPUT 4 -20	
* LD814	WP841400	LED, YELLOW	HFY103PJW-3-B	L E D	STEREO INPUT 4 PFL	
Q510	VV556500	TRANSISTOR	2SA1037AK Q,R,S TP	ト ラ ン ジ ス タ 2 S A		
Q511	VV556400	TRANSISTOR	2SC2412K Q,R,S TP	ト ラ ン ジ ス タ 2 S C		
Q512	VV556400	TRANSISTOR	2SC2412K Q,R,S TP	ト ラ ン ジ ス タ 2 S C		
Q513	VV556500	TRANSISTOR	2SA1037AK Q,R,S TP	ト ラ ン ジ ス タ 2 S A		
Q514	VV556500	TRANSISTOR	2SA1037AK Q,R,S TP	ト ラ ン ジ ス タ 2 S A		
Q610	VV556400	TRANSISTOR	2SC2412K Q,R,S TP	ト ラ ン ジ ス タ 2 S C		
Q611	VV556400	TRANSISTOR	2SC2412K Q,R,S TP	ト ラ ン ジ ス タ 2 S C		
Q612	VV556500	TRANSISTOR	2SA1037AK Q,R,S TP	ト ラ ン ジ ス タ 2 S A		
Q613	VV556500	TRANSISTOR	2SA1037AK Q,R,S TP	ト ラ ン ジ ス タ 2 S A		
Q710	VV556400	TRANSISTOR	2SC2412K Q,R,S TP	ト ラ ン ジ ス タ 2 S C		
Q711	VV556400	TRANSISTOR	2SC2412K Q,R,S TP	ト ラ ン ジ ス タ 2 S C		
Q712	VV556500	TRANSISTOR	2SA1037AK Q,R,S TP	ト ラ ン ジ ス タ 2 S A		
Q713	VV556500	TRANSISTOR	2SA1037AK Q,R,S TP	ト ラ ン ジ ス タ 2 S A		
Q810	VV556400	TRANSISTOR	2SC2412K Q,R,S TP	ト ラ ン ジ ス タ 2 S C		
Q811	VV556400	TRANSISTOR	2SC2412K Q,R,S TP	ト ラ ン ジ ス タ 2 S C		
Q812	VV556500	TRANSISTOR	2SA1037AK Q,R,S TP	ト ラ ン ジ ス タ 2 S A		
Q813	VV556500	TRANSISTOR	2SA1037AK Q,R,S TP	ト ラ ン ジ ス タ 2 S A		
Q814	VV556400	TRANSISTOR	2SC2412K Q,R,S TP	ト ラ ン ジ ス タ 2 S C		
R101	RD358220	CHIP RESISTOR 1/16W	220.0K 63M J RECT.	チ ッ プ 抵 抗		
R102	RD358220	CHIP RESISTOR 1/16W	220.0K 63M J RECT.	チ ッ プ 抵 抗		
R110	RF457100	CHIP RESISTOR 1/16W	10.0K D RECT.	チ ッ プ 抵 抗		
R111	RF457100	CHIP RESISTOR 1/16W	10.0K D RECT.	チ ッ プ 抵 抗		

*: New Parts

RANK: Japan only

PHONES/ST1/ST2/STJK

REF NO.	PART NO.	DESCRIPTION		部	品	名	REMARKS	QTY	RANK
R112	RF456220	CHIP RESISTOR 1/16W	2.2K D RECT.	チ	ッ	ブ	抵		
R113	RF456220	CHIP RESISTOR 1/16W	2.2K D RECT.	チ	ッ	ブ	抵		
R114	RF454470	CHIP RESISTOR 1/16W	47.0 D RECT.	チ	ッ	ブ	抵		01
R115	RD355220	CHIP RESISTOR 1/16W	220.0 63M J RECT.	チ	ッ	ブ	抵		
R116	RD355220	CHIP RESISTOR 1/16W	220.0 63M J RECT.	チ	ッ	ブ	抵		
R117	RF454470	CHIP RESISTOR 1/16W	47.0 D RECT.	チ	ッ	ブ	抵		01
R118	RF457150	CHIP RESISTOR 1/16W	15.0K D 1608	チ	ッ	ブ	抵		01
R119	RF457150	CHIP RESISTOR 1/16W	15.0K D 1608	チ	ッ	ブ	抵		01
R120	RD35410R	CHIP RESISTOR 1/16W	10.0 63M J RECT.	チ	ッ	ブ	抵		01
R121	RD35410R	CHIP RESISTOR 1/16W	10.0 63M J RECT.	チ	ッ	ブ	抵		01
R122	RF457120	CHIP RESISTOR 1/16W	12.0K D RECT.	チ	ッ	ブ	抵		
-125	RF457120	CHIP RESISTOR 1/16W	12.0K D RECT.	チ	ッ	ブ	抵		
R126	RF457100	CHIP RESISTOR 1/16W	10.0K D RECT.	チ	ッ	ブ	抵		
R127	RF456470	CHIP RESISTOR 1/16W	4.7K D RECT.	チ	ッ	ブ	抵		
R128	RF457100	CHIP RESISTOR 1/16W	10.0K D RECT.	チ	ッ	ブ	抵		
R129	RF456470	CHIP RESISTOR 1/16W	4.7K D RECT.	チ	ッ	ブ	抵		
R130	RF457330	CHIP RESISTOR 1/16W	33.0K D RECT.	チ	ッ	ブ	抵		
R131	RF457330	CHIP RESISTOR 1/16W	33.0K D RECT.	チ	ッ	ブ	抵		
R132	RF457100	CHIP RESISTOR 1/16W	10.0K D RECT.	チ	ッ	ブ	抵		
R133	RF457100	CHIP RESISTOR 1/16W	10.0K D RECT.	チ	ッ	ブ	抵		
R134	RF456560	CHIP RESISTOR 1/16W	5.6K D RECT.	チ	ッ	ブ	抵		
R135	RF456560	CHIP RESISTOR 1/16W	5.6K D RECT.	チ	ッ	ブ	抵		
R136	RF45739R	CHIP RESISTOR 1/16W	39.0K D RECT.	チ	ッ	ブ	抵		01
-139	RF45739R	CHIP RESISTOR 1/16W	39.0K D RECT.	チ	ッ	ブ	抵		01
R140	RF456820	CHIP RESISTOR 1/16W	8.2K D RECT.	チ	ッ	ブ	抵		
-144	RF456820	CHIP RESISTOR 1/16W	8.2K D RECT.	チ	ッ	ブ	抵		
R145	RF45739R	CHIP RESISTOR 1/16W	39.0K D RECT.	チ	ッ	ブ	抵		01
R146	RF456820	CHIP RESISTOR 1/16W	8.2K D RECT.	チ	ッ	ブ	抵		
R147	RF45739R	CHIP RESISTOR 1/16W	39.0K D RECT.	チ	ッ	ブ	抵		01
-149	RF45739R	CHIP RESISTOR 1/16W	39.0K D RECT.	チ	ッ	ブ	抵		01
R150	RF456820	CHIP RESISTOR 1/16W	8.2K D RECT.	チ	ッ	ブ	抵		
R151	RF456820	CHIP RESISTOR 1/16W	8.2K D RECT.	チ	ッ	ブ	抵		
R152	RD35410R	CHIP RESISTOR 1/16W	10.0 63M J RECT.	チ	ッ	ブ	抵		01
R153	RD35410R	CHIP RESISTOR 1/16W	10.0 63M J RECT.	チ	ッ	ブ	抵		01
R154	RD358220	CHIP RESISTOR 1/16W	220.0K 63M J RECT.	チ	ッ	ブ	抵		
-159	RD358220	CHIP RESISTOR 1/16W	220.0K 63M J RECT.	チ	ッ	ブ	抵		
R201	RD358220	CHIP RESISTOR 1/16W	220.0K 63M J RECT.	チ	ッ	ブ	抵		
R202	RD358220	CHIP RESISTOR 1/16W	220.0K 63M J RECT.	チ	ッ	ブ	抵		
R210	RF457100	CHIP RESISTOR 1/16W	10.0K D RECT.	チ	ッ	ブ	抵		
R211	RF457100	CHIP RESISTOR 1/16W	10.0K D RECT.	チ	ッ	ブ	抵		
R212	RF456220	CHIP RESISTOR 1/16W	2.2K D RECT.	チ	ッ	ブ	抵		
R213	RF456220	CHIP RESISTOR 1/16W	2.2K D RECT.	チ	ッ	ブ	抵		
R214	RF454470	CHIP RESISTOR 1/16W	47.0 D RECT.	チ	ッ	ブ	抵		01
R215	RD355220	CHIP RESISTOR 1/16W	220.0 63M J RECT.	チ	ッ	ブ	抵		
R216	RD355220	CHIP RESISTOR 1/16W	220.0 63M J RECT.	チ	ッ	ブ	抵		
R217	RF454470	CHIP RESISTOR 1/16W	47.0 D RECT.	チ	ッ	ブ	抵		01
R218	RF457150	CHIP RESISTOR 1/16W	15.0K D 1608	チ	ッ	ブ	抵		01
R219	RF457150	CHIP RESISTOR 1/16W	15.0K D 1608	チ	ッ	ブ	抵		01
R220	RD35410R	CHIP RESISTOR 1/16W	10.0 63M J RECT.	チ	ッ	ブ	抵		01
R221	RD35410R	CHIP RESISTOR 1/16W	10.0 63M J RECT.	チ	ッ	ブ	抵		01
R222	RF457120	CHIP RESISTOR 1/16W	12.0K D RECT.	チ	ッ	ブ	抵		
-225	RF457120	CHIP RESISTOR 1/16W	12.0K D RECT.	チ	ッ	ブ	抵		
R226	RF457100	CHIP RESISTOR 1/16W	10.0K D RECT.	チ	ッ	ブ	抵		
R227	RF456470	CHIP RESISTOR 1/16W	4.7K D RECT.	チ	ッ	ブ	抵		
R228	RF457100	CHIP RESISTOR 1/16W	10.0K D RECT.	チ	ッ	ブ	抵		
R229	RF456470	CHIP RESISTOR 1/16W	4.7K D RECT.	チ	ッ	ブ	抵		
R230	RF457330	CHIP RESISTOR 1/16W	33.0K D RECT.	チ	ッ	ブ	抵		
R231	RF457330	CHIP RESISTOR 1/16W	33.0K D RECT.	チ	ッ	ブ	抵		
R232	RF457100	CHIP RESISTOR 1/16W	10.0K D RECT.	チ	ッ	ブ	抵		
R233	RF457100	CHIP RESISTOR 1/16W	10.0K D RECT.	チ	ッ	ブ	抵		
R234	RF456560	CHIP RESISTOR 1/16W	5.6K D RECT.	チ	ッ	ブ	抵		
R235	RF456560	CHIP RESISTOR 1/16W	5.6K D RECT.	チ	ッ	ブ	抵		
R236	RF45739R	CHIP RESISTOR 1/16W	39.0K D RECT.	チ	ッ	ブ	抵		01
-239	RF45739R	CHIP RESISTOR 1/16W	39.0K D RECT.	チ	ッ	ブ	抵		01
R240	RF456820	CHIP RESISTOR 1/16W	8.2K D RECT.	チ	ッ	ブ	抵		
-244	RF456820	CHIP RESISTOR 1/16W	8.2K D RECT.	チ	ッ	ブ	抵		
R245	RF45739R	CHIP RESISTOR 1/16W	39.0K D RECT.	チ	ッ	ブ	抵		01
R246	RF456820	CHIP RESISTOR 1/16W	8.2K D RECT.	チ	ッ	ブ	抵		
R247	RF45739R	CHIP RESISTOR 1/16W	39.0K D RECT.	チ	ッ	ブ	抵		01
-249	RF45739R	CHIP RESISTOR 1/16W	39.0K D RECT.	チ	ッ	ブ	抵		01

*: New Parts

RANK: Japan only

PHONES/ST1/ST2/STJK

REF NO.	PART NO.	DESCRIPTION		部	品	名	抗	REMARKS	QTY	RANK
R250	RF456820	CHIP RESISTOR 1/16W	8.2K D RECT.	チ	ッ	ブ	抵			
R251	RF456820	CHIP RESISTOR 1/16W	8.2K D RECT.	チ	ッ	ブ	抵			
R252	RD35410R	CHIP RESISTOR 1/16W	10.0 63M J RECT.	チ	ッ	ブ	抵			01
R253	RD35410R	CHIP RESISTOR 1/16W	10.0 63M J RECT.	チ	ッ	ブ	抵			01
R254	RD358220	CHIP RESISTOR 1/16W	220.0K 63M J RECT.	チ	ッ	ブ	抵			
-259	RD358220	CHIP RESISTOR 1/16W	220.0K 63M J RECT.	チ	ッ	ブ	抵			
R301	RD358220	CHIP RESISTOR 1/16W	220.0K 63M J RECT.	チ	ッ	ブ	抵			
R302	RD358220	CHIP RESISTOR 1/16W	220.0K 63M J RECT.	チ	ッ	ブ	抵			
R310	RF457100	CHIP RESISTOR 1/16W	10.0K D RECT.	チ	ッ	ブ	抵			
R311	RF457100	CHIP RESISTOR 1/16W	10.0K D RECT.	チ	ッ	ブ	抵			
R312	RF456220	CHIP RESISTOR 1/16W	2.2K D RECT.	チ	ッ	ブ	抵			
R313	RF456220	CHIP RESISTOR 1/16W	2.2K D RECT.	チ	ッ	ブ	抵			
R314	RF454470	CHIP RESISTOR 1/16W	47.0 D RECT.	チ	ッ	ブ	抵			01
R315	RD355220	CHIP RESISTOR 1/16W	220.0 63M J RECT.	チ	ッ	ブ	抵			
R316	RD355220	CHIP RESISTOR 1/16W	220.0 63M J RECT.	チ	ッ	ブ	抵			
R317	RF454470	CHIP RESISTOR 1/16W	47.0 D RECT.	チ	ッ	ブ	抵			01
R318	RF457150	CHIP RESISTOR 1/16W	15.0K D 1608	チ	ッ	ブ	抵			01
R319	RF457150	CHIP RESISTOR 1/16W	15.0K D 1608	チ	ッ	ブ	抵			01
R320	RD35410R	CHIP RESISTOR 1/16W	10.0 63M J RECT.	チ	ッ	ブ	抵			01
R321	RD35410R	CHIP RESISTOR 1/16W	10.0 63M J RECT.	チ	ッ	ブ	抵			01
R322	RF457120	CHIP RESISTOR 1/16W	12.0K D RECT.	チ	ッ	ブ	抵			
-325	RF457120	CHIP RESISTOR 1/16W	12.0K D RECT.	チ	ッ	ブ	抵			
R326	RF457100	CHIP RESISTOR 1/16W	10.0K D RECT.	チ	ッ	ブ	抵			
R327	RF456470	CHIP RESISTOR 1/16W	4.7K D RECT.	チ	ッ	ブ	抵			
R328	RF457100	CHIP RESISTOR 1/16W	10.0K D RECT.	チ	ッ	ブ	抵			
R329	RF456470	CHIP RESISTOR 1/16W	4.7K D RECT.	チ	ッ	ブ	抵			
R330	RF457330	CHIP RESISTOR 1/16W	33.0K D RECT.	チ	ッ	ブ	抵			
R331	RF457330	CHIP RESISTOR 1/16W	33.0K D RECT.	チ	ッ	ブ	抵			
R332	RF457100	CHIP RESISTOR 1/16W	10.0K D RECT.	チ	ッ	ブ	抵			
R333	RF457100	CHIP RESISTOR 1/16W	10.0K D RECT.	チ	ッ	ブ	抵			
R334	RF456560	CHIP RESISTOR 1/16W	5.6K D RECT.	チ	ッ	ブ	抵			
R335	RF456560	CHIP RESISTOR 1/16W	5.6K D RECT.	チ	ッ	ブ	抵			
R336	RF45739R	CHIP RESISTOR 1/16W	39.0K D RECT.	チ	ッ	ブ	抵			01
-339	RF45739R	CHIP RESISTOR 1/16W	39.0K D RECT.	チ	ッ	ブ	抵			01
R340	RF456820	CHIP RESISTOR 1/16W	8.2K D RECT.	チ	ッ	ブ	抵			
-344	RF456820	CHIP RESISTOR 1/16W	8.2K D RECT.	チ	ッ	ブ	抵			
R345	RF45739R	CHIP RESISTOR 1/16W	39.0K D RECT.	チ	ッ	ブ	抵			01
R346	RF456820	CHIP RESISTOR 1/16W	8.2K D RECT.	チ	ッ	ブ	抵			
R347	RF45739R	CHIP RESISTOR 1/16W	39.0K D RECT.	チ	ッ	ブ	抵			01
-349	RF45739R	CHIP RESISTOR 1/16W	39.0K D RECT.	チ	ッ	ブ	抵			01
R350	RF456820	CHIP RESISTOR 1/16W	8.2K D RECT.	チ	ッ	ブ	抵			
R351	RF456820	CHIP RESISTOR 1/16W	8.2K D RECT.	チ	ッ	ブ	抵			
R352	RD35410R	CHIP RESISTOR 1/16W	10.0 63M J RECT.	チ	ッ	ブ	抵			01
R353	RD35410R	CHIP RESISTOR 1/16W	10.0 63M J RECT.	チ	ッ	ブ	抵			01
R354	RD358220	CHIP RESISTOR 1/16W	220.0K 63M J RECT.	チ	ッ	ブ	抵			
-359	RD358220	CHIP RESISTOR 1/16W	220.0K 63M J RECT.	チ	ッ	ブ	抵			
R401	RD358220	CHIP RESISTOR 1/16W	220.0K 63M J RECT.	チ	ッ	ブ	抵			
R402	RD358220	CHIP RESISTOR 1/16W	220.0K 63M J RECT.	チ	ッ	ブ	抵			
R410	RF457100	CHIP RESISTOR 1/16W	10.0K D RECT.	チ	ッ	ブ	抵			
R411	RF457100	CHIP RESISTOR 1/16W	10.0K D RECT.	チ	ッ	ブ	抵			
R412	RF456220	CHIP RESISTOR 1/16W	2.2K D RECT.	チ	ッ	ブ	抵			
R413	RF456220	CHIP RESISTOR 1/16W	2.2K D RECT.	チ	ッ	ブ	抵			
R414	RF454470	CHIP RESISTOR 1/16W	47.0 D RECT.	チ	ッ	ブ	抵			01
R415	RD355220	CHIP RESISTOR 1/16W	220.0 63M J RECT.	チ	ッ	ブ	抵			
R416	RD355220	CHIP RESISTOR 1/16W	220.0 63M J RECT.	チ	ッ	ブ	抵			
R417	RF454470	CHIP RESISTOR 1/16W	47.0 D RECT.	チ	ッ	ブ	抵			01
R418	RF457150	CHIP RESISTOR 1/16W	15.0K D 1608	チ	ッ	ブ	抵			01
R419	RF457150	CHIP RESISTOR 1/16W	15.0K D 1608	チ	ッ	ブ	抵			01
R420	RD35410R	CHIP RESISTOR 1/16W	10.0 63M J RECT.	チ	ッ	ブ	抵			01
R421	RD35410R	CHIP RESISTOR 1/16W	10.0 63M J RECT.	チ	ッ	ブ	抵			01
R422	RF457120	CHIP RESISTOR 1/16W	12.0K D RECT.	チ	ッ	ブ	抵			
-425	RF457120	CHIP RESISTOR 1/16W	12.0K D RECT.	チ	ッ	ブ	抵			
R426	RF457100	CHIP RESISTOR 1/16W	10.0K D RECT.	チ	ッ	ブ	抵			
R427	RF456470	CHIP RESISTOR 1/16W	4.7K D RECT.	チ	ッ	ブ	抵			
R428	RF457100	CHIP RESISTOR 1/16W	10.0K D RECT.	チ	ッ	ブ	抵			
R429	RF456470	CHIP RESISTOR 1/16W	4.7K D RECT.	チ	ッ	ブ	抵			
R430	RF457330	CHIP RESISTOR 1/16W	33.0K D RECT.	チ	ッ	ブ	抵			
R431	RF457330	CHIP RESISTOR 1/16W	33.0K D RECT.	チ	ッ	ブ	抵			
R432	RF457100	CHIP RESISTOR 1/16W	10.0K D RECT.	チ	ッ	ブ	抵			
R433	RF457100	CHIP RESISTOR 1/16W	10.0K D RECT.	チ	ッ	ブ	抵			

*: New Parts

RANK: Japan only

PHONES/ST1/ST2/STJK

REF NO.	PART NO.	DESCRIPTION	部	品	名	REMARKS	QTY	RANK	
R434	RF456560	CHIP RESISTOR 1/16W	5.6K D RECT.	チ	ッ	ブ	抵	抗	
R435	RF456560	CHIP RESISTOR 1/16W	5.6K D RECT.	チ	ッ	ブ	抵	抗	
R436	RF45739R	CHIP RESISTOR 1/16W	39.0K D RECT.	チ	ッ	ブ	抵	抗	01
-439	RF45739R	CHIP RESISTOR 1/16W	39.0K D RECT.	チ	ッ	ブ	抵	抗	01
R440	RF456820	CHIP RESISTOR 1/16W	8.2K D RECT.	チ	ッ	ブ	抵	抗	
-444	RF456820	CHIP RESISTOR 1/16W	8.2K D RECT.	チ	ッ	ブ	抵	抗	
R445	RF45739R	CHIP RESISTOR 1/16W	39.0K D RECT.	チ	ッ	ブ	抵	抗	01
R446	RF456820	CHIP RESISTOR 1/16W	8.2K D RECT.	チ	ッ	ブ	抵	抗	
R447	RF45739R	CHIP RESISTOR 1/16W	39.0K D RECT.	チ	ッ	ブ	抵	抗	01
-449	RF45739R	CHIP RESISTOR 1/16W	39.0K D RECT.	チ	ッ	ブ	抵	抗	01
R450	RF456820	CHIP RESISTOR 1/16W	8.2K D RECT.	チ	ッ	ブ	抵	抗	
R451	RF456820	CHIP RESISTOR 1/16W	8.2K D RECT.	チ	ッ	ブ	抵	抗	
R452	RD35410R	CHIP RESISTOR 1/16W	10.0 63M J RECT.	チ	ッ	ブ	抵	抗	01
R453	RD35410R	CHIP RESISTOR 1/16W	10.0 63M J RECT.	チ	ッ	ブ	抵	抗	01
R454	RD358220	CHIP RESISTOR 1/16W	220.0K 63M J RECT.	チ	ッ	ブ	抵	抗	
-459	RD358220	CHIP RESISTOR 1/16W	220.0K 63M J RECT.	チ	ッ	ブ	抵	抗	
R501	RD358100	CHIP RESISTOR 1/16W	100.0K 63M J RECT.	チ	ッ	ブ	抵	抗	
R502	RD355220	CHIP RESISTOR 1/16W	220.0 63M J RECT.	チ	ッ	ブ	抵	抗	
R503	RD358100	CHIP RESISTOR 1/16W	100.0K 63M J RECT.	チ	ッ	ブ	抵	抗	
R504	RD355220	CHIP RESISTOR 1/16W	220.0 63M J RECT.	チ	ッ	ブ	抵	抗	
R510	RF456330	RES CARBON FILM CHIP	3.3K : D RECT.	チ	ッ	ブ	抵	抗	
-513	RF456330	RES CARBON FILM CHIP	3.3K : D RECT.	チ	ッ	ブ	抵	抗	
R514	RD356120	CHIP RESISTOR 1/16W	1.2K 63M J RECT.	チ	ッ	ブ	抵	抗	01
R515	RD357100	CHIP RESISTOR 1/16W	10.0K 63M J RECT.	チ	ッ	ブ	抵	抗	
R519	RD355150	CHIP RESISTOR 1/16W	150.0 63M J RECT.	チ	ッ	ブ	抵	抗	
R521	RD355680	CHIP RESISTOR 1/16W	680.0 63M J RECT.	チ	ッ	ブ	抵	抗	
R525	RF457560	CHIP RESISTOR 1/16W	56.0K D RECT.	チ	ッ	ブ	抵	抗	01
R526	RF457470	CHIP RESISTOR 1/16W	47.0K D RECT.	チ	ッ	ブ	抵	抗	
R527	RF456680	CHIP RESISTOR 1/16W	6.8K D RECT.	チ	ッ	ブ	抵	抗	
R528	RF45556R	CHIP RESISTOR 1/16W	560.0 D RECT.	チ	ッ	ブ	抵	抗	
R529	RD357270	CHIP RESISTOR 1/16W	27.0K 63M J RECT.	チ	ッ	ブ	抵	抗	
R530	RD556100	METAL FILM RESISTOR 1/10W	1.0K 0.1 D RECT.	チ	ッ	ブ	厚	膜	抵
R531	RD556100	METAL FILM RESISTOR 1/10W	1.0K 0.1 D RECT.	チ	ッ	ブ	厚	膜	抵
R532	RD357100	CHIP RESISTOR 1/16W	10.0K 63M J RECT.	チ	ッ	ブ	抵	抗	01
R533	RD356100	CHIP RESISTOR 1/16W	1.0K 63M J RECT.	チ	ッ	ブ	抵	抗	01
R534	RD358470	CHIP RESISTOR 1/16W	470.0K 63M J RECT.	チ	ッ	ブ	抵	抗	01
R535	RD355150	CHIP RESISTOR 1/16W	150.0 63M J RECT.	チ	ッ	ブ	抵	抗	
R536	RD357100	CHIP RESISTOR 1/16W	10.0K 63M J RECT.	チ	ッ	ブ	抵	抗	01
R537	RD356120	CHIP RESISTOR 1/16W	1.2K 63M J RECT.	チ	ッ	ブ	抵	抗	
R538	RD358100	CHIP RESISTOR 1/16W	100.0K 63M J RECT.	チ	ッ	ブ	抵	抗	
R539	RD358220	CHIP RESISTOR 1/16W	220.0K 63M J RECT.	チ	ッ	ブ	抵	抗	
R540	RD358220	CHIP RESISTOR 1/16W	220.0K 63M J RECT.	チ	ッ	ブ	抵	抗	
R541	RD355220	CHIP RESISTOR 1/16W	220.0 63M J RECT.	チ	ッ	ブ	抵	抗	
R542	RD355220	CHIP RESISTOR 1/16W	220.0 63M J RECT.	チ	ッ	ブ	抵	抗	
R543	RF458100	CHIP RESISTOR 1/16W	100.0K D RECT.	チ	ッ	ブ	抵	抗	
R544	RF458100	CHIP RESISTOR 1/16W	100.0K D RECT.	チ	ッ	ブ	抵	抗	
R545	RD355220	CHIP RESISTOR 1/16W	220.0 63M J RECT.	チ	ッ	ブ	抵	抗	
R546	RD355220	CHIP RESISTOR 1/16W	220.0 63M J RECT.	チ	ッ	ブ	抵	抗	
R547	RF456680	CHIP RESISTOR 1/16W	6.8K D RECT.	チ	ッ	ブ	抵	抗	
R548	RF456680	CHIP RESISTOR 1/16W	6.8K D RECT.	チ	ッ	ブ	抵	抗	
R549	RF457150	CHIP RESISTOR 1/16W	15.0K D 1608	チ	ッ	ブ	抵	抗	01
R550	RF457150	CHIP RESISTOR 1/16W	15.0K D 1608	チ	ッ	ブ	抵	抗	01
R551	RF457100	CHIP RESISTOR 1/16W	10.0K D RECT.	チ	ッ	ブ	抵	抗	
R552	RF457100	CHIP RESISTOR 1/16W	10.0K D RECT.	チ	ッ	ブ	抵	抗	
R553	RD35410R	CHIP RESISTOR 1/16W	10.0 63M J RECT.	チ	ッ	ブ	抵	抗	01
R554	RD35410R	CHIP RESISTOR 1/16W	10.0 63M J RECT.	チ	ッ	ブ	抵	抗	01
R555	RF457100	CHIP RESISTOR 1/16W	10.0K D RECT.	チ	ッ	ブ	抵	抗	
-557	RF457100	CHIP RESISTOR 1/16W	10.0K D RECT.	チ	ッ	ブ	抵	抗	
R558	RF45739R	CHIP RESISTOR 1/16W	39.0K D RECT.	チ	ッ	ブ	抵	抗	01
R559	RF457180	CHIP RESISTOR 1/16W	18.0K D RECT.	チ	ッ	ブ	抵	抗	
R560	RD357390	CHIP RESISTOR 1/16W	39.0K 63M J RECT.	チ	ッ	ブ	抵	抗	
R561	RF457100	CHIP RESISTOR 1/16W	10.0K D RECT.	チ	ッ	ブ	抵	抗	
R562	RF457270	CHIP RESISTOR 1/16W	27.0K D RECT.	チ	ッ	ブ	抵	抗	
R563	RD35410R	CHIP RESISTOR 1/16W	10.0 63M J RECT.	チ	ッ	ブ	抵	抗	01
R564	RD35410R	CHIP RESISTOR 1/16W	10.0 63M J RECT.	チ	ッ	ブ	抵	抗	01
R565	RD358220	CHIP RESISTOR 1/16W	220.0K 63M J RECT.	チ	ッ	ブ	抵	抗	
R566	RD35718R	CHIP RESISTOR 1/16W	18.0K 63M J RECT.	チ	ッ	ブ	抵	抗	01
R567	RF457180	CHIP RESISTOR 1/16W	18.0K D RECT.	チ	ッ	ブ	抵	抗	
-587	RF457180	CHIP RESISTOR 1/16W	18.0K D RECT.	チ	ッ	ブ	抵	抗	
R588	RD358220	CHIP RESISTOR 1/16W	220.0K 63M J RECT.	チ	ッ	ブ	抵	抗	

*: New Parts

RANK: Japan only

PHONES/ST1/ST2/STJK

REF NO.	PART NO.	DESCRIPTION	部 品 名	REMARKS	QTY	RANK
R589	RF457470	CHIP RESISTOR 1/16W	47.0K D RECT.	チ ッ プ 抵 抗		
-592	RF457470	CHIP RESISTOR 1/16W	47.0K D RECT.	チ ッ プ 抵 抗		
R595	RD556100	METAL FILM RESISTOR 1/10W	1.0K 0.1 D RECT.	チ ッ プ 厚 膜 抵 抗		
R596	RD556100	METAL FILM RESISTOR 1/10W	1.0K 0.1 D RECT.	チ ッ プ 厚 膜 抵 抗		
R597	RD358100	CHIP RESISTOR 1/16W	100.0K 63M J RECT.	チ ッ プ 抵 抗		
R598	RD358100	CHIP RESISTOR 1/16W	100.0K 63M J RECT.	チ ッ プ 抵 抗		
R599	RD355220	CHIP RESISTOR 1/16W	220.0 63M J RECT.	チ ッ プ 抵 抗		
R610	RF456330	RES CARBON FILM CHIP	3.3K : D RECT.	チ ッ プ 抵 抗		
-613	RF456330	RES CARBON FILM CHIP	3.3K : D RECT.	チ ッ プ 抵 抗		
R618	RD355680	CHIP RESISTOR 1/16W	680.0 63M J RECT.	チ ッ プ 抵 抗		
R622	RF457560	CHIP RESISTOR 1/16W	56.0K D RECT.	チ ッ プ 抵 抗		01
R623	RF457470	CHIP RESISTOR 1/16W	47.0K D RECT.	チ ッ プ 抵 抗		
R624	RF456680	CHIP RESISTOR 1/16W	6.8K D RECT.	チ ッ プ 抵 抗		
R625	RF45556R	CHIP RESISTOR 1/16W	560.0 D RECT.	チ ッ プ 抵 抗		
R626	RD357270	CHIP RESISTOR 1/16W	27.0K 63M J RECT.	チ ッ プ 抵 抗		
R627	RD556100	METAL FILM RESISTOR 1/10W	1.0K 0.1 D RECT.	チ ッ プ 厚 膜 抵 抗		
R628	RD556100	METAL FILM RESISTOR 1/10W	1.0K 0.1 D RECT.	チ ッ プ 厚 膜 抵 抗		
R629	RF457120	CHIP RESISTOR 1/16W	12.0K D RECT.	チ ッ プ 抵 抗		
R630	RF456120	CHIP RESISTOR 1/16W	1.2K D 1608	チ ッ プ 抵 抗		
R631	RD358470	CHIP RESISTOR 1/16W	470.0K 63M J RECT.	チ ッ プ 抵 抗		01
R632	RD355150	CHIP RESISTOR 1/16W	150.0 63M J RECT.	チ ッ プ 抵 抗		
R633	RD357100	CHIP RESISTOR 1/16W	10.0K 63M J RECT.	チ ッ プ 抵 抗		01
R634	RD356120	CHIP RESISTOR 1/16W	1.2K 63M J RECT.	チ ッ プ 抵 抗		
R635	RD355220	CHIP RESISTOR 1/16W	220.0 63M J RECT.	チ ッ プ 抵 抗		
R636	RD358100	CHIP RESISTOR 1/16W	100.0K 63M J RECT.	チ ッ プ 抵 抗		
R637	RD355220	CHIP RESISTOR 1/16W	220.0 63M J RECT.	チ ッ プ 抵 抗		
R638	RD355220	CHIP RESISTOR 1/16W	220.0 63M J RECT.	チ ッ プ 抵 抗		
R639	RF458100	CHIP RESISTOR 1/16W	100.0K D RECT.	チ ッ プ 抵 抗		
R640	RF458100	CHIP RESISTOR 1/16W	100.0K D RECT.	チ ッ プ 抵 抗		
R641	RD358220	CHIP RESISTOR 1/16W	220.0K 63M J RECT.	チ ッ プ 抵 抗		
R642	RD358220	CHIP RESISTOR 1/16W	220.0K 63M J RECT.	チ ッ プ 抵 抗		
R643	RD355220	CHIP RESISTOR 1/16W	220.0 63M J RECT.	チ ッ プ 抵 抗		
R644	RD355220	CHIP RESISTOR 1/16W	220.0 63M J RECT.	チ ッ プ 抵 抗		
R645	RF456680	CHIP RESISTOR 1/16W	6.8K D RECT.	チ ッ プ 抵 抗		
R646	RF456680	CHIP RESISTOR 1/16W	6.8K D RECT.	チ ッ プ 抵 抗		
R647	RF457150	CHIP RESISTOR 1/16W	15.0K D 1608	チ ッ プ 抵 抗		01
R648	RF457150	CHIP RESISTOR 1/16W	15.0K D 1608	チ ッ プ 抵 抗		01
R649	RF457100	CHIP RESISTOR 1/16W	10.0K D RECT.	チ ッ プ 抵 抗		
R650	RF457100	CHIP RESISTOR 1/16W	10.0K D RECT.	チ ッ プ 抵 抗		
R651	RD35410R	CHIP RESISTOR 1/16W	10.0 63M J RECT.	チ ッ プ 抵 抗		01
R652	RD35410R	CHIP RESISTOR 1/16W	10.0 63M J RECT.	チ ッ プ 抵 抗		01
R653	RF457100	CHIP RESISTOR 1/16W	10.0K D RECT.	チ ッ プ 抵 抗		
-655	RF457100	CHIP RESISTOR 1/16W	10.0K D RECT.	チ ッ プ 抵 抗		
R656	RF45739R	CHIP RESISTOR 1/16W	39.0K D RECT.	チ ッ プ 抵 抗		01
R657	RF457180	CHIP RESISTOR 1/16W	18.0K D RECT.	チ ッ プ 抵 抗		
R658	RD357390	CHIP RESISTOR 1/16W	39.0K 63M J RECT.	チ ッ プ 抵 抗		
R659	RF457100	CHIP RESISTOR 1/16W	10.0K D RECT.	チ ッ プ 抵 抗		
R660	RF457270	CHIP RESISTOR 1/16W	27.0K D RECT.	チ ッ プ 抵 抗		
R661	RD35410R	CHIP RESISTOR 1/16W	10.0 63M J RECT.	チ ッ プ 抵 抗		01
R662	RD35410R	CHIP RESISTOR 1/16W	10.0 63M J RECT.	チ ッ プ 抵 抗		01
R663	RD358220	CHIP RESISTOR 1/16W	220.0K 63M J RECT.	チ ッ プ 抵 抗		
R664	RF457180	CHIP RESISTOR 1/16W	18.0K D RECT.	チ ッ プ 抵 抗		
-684	RF457180	CHIP RESISTOR 1/16W	18.0K D RECT.	チ ッ プ 抵 抗		
R685	RD358220	CHIP RESISTOR 1/16W	220.0K 63M J RECT.	チ ッ プ 抵 抗		
R689	RF457470	CHIP RESISTOR 1/16W	47.0K D RECT.	チ ッ プ 抵 抗		
-692	RF457470	CHIP RESISTOR 1/16W	47.0K D RECT.	チ ッ プ 抵 抗		
R695	RD556100	METAL FILM RESISTOR 1/10W	1.0K 0.1 D RECT.	チ ッ プ 厚 膜 抵 抗		
R696	RD556100	METAL FILM RESISTOR 1/10W	1.0K 0.1 D RECT.	チ ッ プ 厚 膜 抵 抗		
R697	RD358100	CHIP RESISTOR 1/16W	100.0K 63M J RECT.	チ ッ プ 抵 抗		
R698	RD358100	CHIP RESISTOR 1/16W	100.0K 63M J RECT.	チ ッ プ 抵 抗		
R710	RF456330	RES CARBON FILM CHIP	3.3K : D RECT.	チ ッ プ 抵 抗		
-713	RF456330	RES CARBON FILM CHIP	3.3K : D RECT.	チ ッ プ 抵 抗		
R718	RD355680	CHIP RESISTOR 1/16W	680.0 63M J RECT.	チ ッ プ 抵 抗		
R722	RF457560	CHIP RESISTOR 1/16W	56.0K D RECT.	チ ッ プ 抵 抗		01
R723	RF457470	CHIP RESISTOR 1/16W	47.0K D RECT.	チ ッ プ 抵 抗		
R724	RF456680	CHIP RESISTOR 1/16W	6.8K D RECT.	チ ッ プ 抵 抗		
R725	RF45556R	CHIP RESISTOR 1/16W	560.0 D RECT.	チ ッ プ 抵 抗		
R726	RD357270	CHIP RESISTOR 1/16W	27.0K 63M J RECT.	チ ッ プ 抵 抗		
R727	RD556100	METAL FILM RESISTOR 1/10W	1.0K 0.1 D RECT.	チ ッ プ 厚 膜 抵 抗		
R728	RD556100	METAL FILM RESISTOR 1/10W	1.0K 0.1 D RECT.	チ ッ プ 厚 膜 抵 抗		

*: New Parts

RANK: Japan only

PHONES/ST1/ST2/STJK

REF NO.	PART NO.	DESCRIPTION		部	品	名	REMARKS	QTY	RANK
R729	RF457150	CHIP RESISTOR 1/16W	15.0K D 1608	チ	ッ	ブ	抵抗		01
R730	RF456150	CHIP RESISTOR 1/16W	1.5K D RECT.	チ	ッ	ブ	抵抗		
R731	RD358470	CHIP RESISTOR 1/16W	470.0K 63M J RECT.	チ	ッ	ブ	抵抗		01
R732	RD355150	CHIP RESISTOR 1/16W	150.0 63M J RECT.	チ	ッ	ブ	抵抗		
R733	RD357100	CHIP RESISTOR 1/16W	10.0K 63M J RECT.	チ	ッ	ブ	抵抗		01
R734	RD356120	CHIP RESISTOR 1/16W	1.2K 63M J RECT.	チ	ッ	ブ	抵抗		
R735	RD355220	CHIP RESISTOR 1/16W	220.0 63M J RECT.	チ	ッ	ブ	抵抗		
R736	RD358100	CHIP RESISTOR 1/16W	100.0K 63M J RECT.	チ	ッ	ブ	抵抗		
R737	RD355220	CHIP RESISTOR 1/16W	220.0 63M J RECT.	チ	ッ	ブ	抵抗		
R738	RD355220	CHIP RESISTOR 1/16W	220.0 63M J RECT.	チ	ッ	ブ	抵抗		
R739	RF458100	CHIP RESISTOR 1/16W	100.0K D RECT.	チ	ッ	ブ	抵抗		
R740	RF458100	CHIP RESISTOR 1/16W	100.0K D RECT.	チ	ッ	ブ	抵抗		
R741	RD358220	CHIP RESISTOR 1/16W	220.0K 63M J RECT.	チ	ッ	ブ	抵抗		
R742	RD358220	CHIP RESISTOR 1/16W	220.0K 63M J RECT.	チ	ッ	ブ	抵抗		
R743	RD355220	CHIP RESISTOR 1/16W	220.0 63M J RECT.	チ	ッ	ブ	抵抗		
R744	RD355220	CHIP RESISTOR 1/16W	220.0 63M J RECT.	チ	ッ	ブ	抵抗		
R745	RF456680	CHIP RESISTOR 1/16W	6.8K D RECT.	チ	ッ	ブ	抵抗		
R746	RF456680	CHIP RESISTOR 1/16W	6.8K D RECT.	チ	ッ	ブ	抵抗		
R747	RF457150	CHIP RESISTOR 1/16W	15.0K D 1608	チ	ッ	ブ	抵抗		01
R748	RF457150	CHIP RESISTOR 1/16W	15.0K D 1608	チ	ッ	ブ	抵抗		01
R749	RF457100	CHIP RESISTOR 1/16W	10.0K D RECT.	チ	ッ	ブ	抵抗		
R750	RF457100	CHIP RESISTOR 1/16W	10.0K D RECT.	チ	ッ	ブ	抵抗		
R751	RD35410R	CHIP RESISTOR 1/16W	10.0 63M J RECT.	チ	ッ	ブ	抵抗		01
R752	RD35410R	CHIP RESISTOR 1/16W	10.0 63M J RECT.	チ	ッ	ブ	抵抗		01
R753	RF457100	CHIP RESISTOR 1/16W	10.0K D RECT.	チ	ッ	ブ	抵抗		
-755	RF457100	CHIP RESISTOR 1/16W	10.0K D RECT.	チ	ッ	ブ	抵抗		
R756	RF45739R	CHIP RESISTOR 1/16W	39.0K D RECT.	チ	ッ	ブ	抵抗		01
R757	RF457180	CHIP RESISTOR 1/16W	18.0K D RECT.	チ	ッ	ブ	抵抗		
R758	RD357390	CHIP RESISTOR 1/16W	39.0K 63M J RECT.	チ	ッ	ブ	抵抗		
R759	RF457100	CHIP RESISTOR 1/16W	10.0K D RECT.	チ	ッ	ブ	抵抗		
R760	RF457270	CHIP RESISTOR 1/16W	27.0K D RECT.	チ	ッ	ブ	抵抗		
R761	RD35410R	CHIP RESISTOR 1/16W	10.0 63M J RECT.	チ	ッ	ブ	抵抗		01
R762	RD35410R	CHIP RESISTOR 1/16W	10.0 63M J RECT.	チ	ッ	ブ	抵抗		01
R763	RD358220	CHIP RESISTOR 1/16W	220.0K 63M J RECT.	チ	ッ	ブ	抵抗		
R764	RF457180	CHIP RESISTOR 1/16W	18.0K D RECT.	チ	ッ	ブ	抵抗		
-784	RF457180	CHIP RESISTOR 1/16W	18.0K D RECT.	チ	ッ	ブ	抵抗		
R785	RD358220	CHIP RESISTOR 1/16W	220.0K 63M J RECT.	チ	ッ	ブ	抵抗		
R789	RF457470	CHIP RESISTOR 1/16W	47.0K D RECT.	チ	ッ	ブ	抵抗		
-792	RF457470	CHIP RESISTOR 1/16W	47.0K D RECT.	チ	ッ	ブ	抵抗		
R795	RD556100	METAL FILM RESISTOR 1/10W	1.0K 0.1 D RECT.	チ	ッ	ブ	厚膜抵抗		
R796	RD556100	METAL FILM RESISTOR 1/10W	1.0K 0.1 D RECT.	チ	ッ	ブ	厚膜抵抗		
R797	RD358100	CHIP RESISTOR 1/16W	100.0K 63M J RECT.	チ	ッ	ブ	抵抗		
R798	RD358100	CHIP RESISTOR 1/16W	100.0K 63M J RECT.	チ	ッ	ブ	抵抗		
R810	RF456330	RES CARBON FILM CHIP	3.3K : D RECT.	チ	ッ	ブ	抵抗		
-813	RF456330	RES CARBON FILM CHIP	3.3K : D RECT.	チ	ッ	ブ	抵抗		
R818	RD355680	CHIP RESISTOR 1/16W	680.0 63M J RECT.	チ	ッ	ブ	抵抗		
R822	RF457560	CHIP RESISTOR 1/16W	56.0K D RECT.	チ	ッ	ブ	抵抗		01
R823	RF457470	CHIP RESISTOR 1/16W	47.0K D RECT.	チ	ッ	ブ	抵抗		
R824	RF456680	CHIP RESISTOR 1/16W	6.8K D RECT.	チ	ッ	ブ	抵抗		
R825	RF45556R	CHIP RESISTOR 1/16W	560.0 D RECT.	チ	ッ	ブ	抵抗		
R826	RD357270	CHIP RESISTOR 1/16W	27.0K 63M J RECT.	チ	ッ	ブ	抵抗		
R827	RD556100	METAL FILM RESISTOR 1/10W	1.0K 0.1 D RECT.	チ	ッ	ブ	厚膜抵抗		
R828	RD556100	METAL FILM RESISTOR 1/10W	1.0K 0.1 D RECT.	チ	ッ	ブ	厚膜抵抗		
R829	RF457180	CHIP RESISTOR 1/16W	18.0K D RECT.	チ	ッ	ブ	抵抗		
R830	RF456180	CHIP RESISTOR 1/16W	1.8K D RECT.	チ	ッ	ブ	抵抗		
R831	RD358470	CHIP RESISTOR 1/16W	470.0K 63M J RECT.	チ	ッ	ブ	抵抗		01
R832	RD355150	CHIP RESISTOR 1/16W	150.0 63M J RECT.	チ	ッ	ブ	抵抗		
R833	RD357100	CHIP RESISTOR 1/16W	10.0K 63M J RECT.	チ	ッ	ブ	抵抗		01
R834	RD356120	CHIP RESISTOR 1/16W	1.2K 63M J RECT.	チ	ッ	ブ	抵抗		
R835	RD355220	CHIP RESISTOR 1/16W	220.0 63M J RECT.	チ	ッ	ブ	抵抗		
R836	RD358100	CHIP RESISTOR 1/16W	100.0K 63M J RECT.	チ	ッ	ブ	抵抗		
R837	RD355220	CHIP RESISTOR 1/16W	220.0 63M J RECT.	チ	ッ	ブ	抵抗		
R838	RD355220	CHIP RESISTOR 1/16W	220.0 63M J RECT.	チ	ッ	ブ	抵抗		
R839	RF458100	CHIP RESISTOR 1/16W	100.0K D RECT.	チ	ッ	ブ	抵抗		
R840	RF458100	CHIP RESISTOR 1/16W	100.0K D RECT.	チ	ッ	ブ	抵抗		
R841	RD358220	CHIP RESISTOR 1/16W	220.0K 63M J RECT.	チ	ッ	ブ	抵抗		
R842	RD358220	CHIP RESISTOR 1/16W	220.0K 63M J RECT.	チ	ッ	ブ	抵抗		
R843	RD355220	CHIP RESISTOR 1/16W	220.0 63M J RECT.	チ	ッ	ブ	抵抗		
R844	RD355220	CHIP RESISTOR 1/16W	220.0 63M J RECT.	チ	ッ	ブ	抵抗		
R845	RF456680	CHIP RESISTOR 1/16W	6.8K D RECT.	チ	ッ	ブ	抵抗		

*: New Parts

RANK: Japan only

PHONES/ST1/ST2/STJK

REF NO.	PART NO.	DESCRIPTION		部	品	名	REMARKS	QTY	RANK
R846	RF456680	CHIP RESISTOR 1/16W	6.8K D RECT.	チ	ッ	ブ 抵 抗			
R847	RF457150	CHIP RESISTOR 1/16W	15.0K D 1608	チ	ッ	ブ 抵 抗			01
R848	RF457150	CHIP RESISTOR 1/16W	15.0K D 1608	チ	ッ	ブ 抵 抗			01
R849	RF457100	CHIP RESISTOR 1/16W	10.0K D RECT.	チ	ッ	ブ 抵 抗			
R850	RF457100	CHIP RESISTOR 1/16W	10.0K D RECT.	チ	ッ	ブ 抵 抗			
R851	RD35410R	CHIP RESISTOR 1/16W	10.0 63M J RECT.	チ	ッ	ブ 抵 抗			01
R852	RD35410R	CHIP RESISTOR 1/16W	10.0 63M J RECT.	チ	ッ	ブ 抵 抗			01
R853	RF457100	CHIP RESISTOR 1/16W	10.0K D RECT.	チ	ッ	ブ 抵 抗			
-855	RF457100	CHIP RESISTOR 1/16W	10.0K D RECT.	チ	ッ	ブ 抵 抗			
R856	RF45739R	CHIP RESISTOR 1/16W	39.0K D RECT.	チ	ッ	ブ 抵 抗			01
R857	RF457180	CHIP RESISTOR 1/16W	18.0K D RECT.	チ	ッ	ブ 抵 抗			
R858	RD357390	CHIP RESISTOR 1/16W	39.0K 63M J RECT.	チ	ッ	ブ 抵 抗			
R859	RF457100	CHIP RESISTOR 1/16W	10.0K D RECT.	チ	ッ	ブ 抵 抗			
R860	RF457270	CHIP RESISTOR 1/16W	27.0K D RECT.	チ	ッ	ブ 抵 抗			
R861	RD35410R	CHIP RESISTOR 1/16W	10.0 63M J RECT.	チ	ッ	ブ 抵 抗			01
R862	RD35410R	CHIP RESISTOR 1/16W	10.0 63M J RECT.	チ	ッ	ブ 抵 抗			01
R863	RD358220	CHIP RESISTOR 1/16W	220.0K 63M J RECT.	チ	ッ	ブ 抵 抗			
R864	RD357120	CHIP RESISTOR 1/16W	12.0K 63M J RECT.	チ	ッ	ブ 抵 抗			
R865	RD356150	CHIP RESISTOR 1/16W	1.5K 63M J RECT.	チ	ッ	ブ 抵 抗			
R866	RD355150	CHIP RESISTOR 1/16W	150.0 63M J RECT.	チ	ッ	ブ 抵 抗			
R867	RF457180	CHIP RESISTOR 1/16W	18.0K D RECT.	チ	ッ	ブ 抵 抗			
-887	RF457180	CHIP RESISTOR 1/16W	18.0K D RECT.	チ	ッ	ブ 抵 抗			
R888	RD358220	CHIP RESISTOR 1/16W	220.0K 63M J RECT.	チ	ッ	ブ 抵 抗			
R889	RF457470	CHIP RESISTOR 1/16W	47.0K D RECT.	チ	ッ	ブ 抵 抗			
-892	RF457470	CHIP RESISTOR 1/16W	47.0K D RECT.	チ	ッ	ブ 抵 抗			
R895	RD556100	METAL FILM RESISTOR 1/10W	1.0K 0.1 D RECT.	チ	ッ	ブ 厚 膜 抵 抗			
R896	RD556100	METAL FILM RESISTOR 1/10W	1.0K 0.1 D RECT.	チ	ッ	ブ 厚 膜 抵 抗			
R897	RD358100	CHIP RESISTOR 1/16W	100.0K 63M J RECT.	チ	ッ	ブ 抵 抗			
R898	RD358100	CHIP RESISTOR 1/16W	100.0K 63M J RECT.	チ	ッ	ブ 抵 抗			
SW110	WH918700	PUSH SWITCH	PS-22E85L-02	ブ	ッ	シ ュ S W	EQ ON 1		01
SW210	WH918700	PUSH SWITCH	PS-22E85L-02	ブ	ッ	シ ュ S W	EQ ON 2		01
SW310	WH918700	PUSH SWITCH	PS-22E85L-02	ブ	ッ	シ ュ S W	EQ ON 3		01
SW410	WH918700	PUSH SWITCH	PS-22E85L-02	ブ	ッ	シ ュ S W	EQ ON 4		01
SW510	WH918700	PUSH SWITCH	PS-22E85L-02	ブ	ッ	シ ュ S W	STEREO INPUT 1 ON		01
SW511	WH918700	PUSH SWITCH	PS-22E85L-02	ブ	ッ	シ ュ S W	STEREO INPUT 1 MUTE 1		01
SW512	WH918700	PUSH SWITCH	PS-22E85L-02	ブ	ッ	シ ュ S W	STEREO INPUT 1 MUTE 2		01
SW513	WH918700	PUSH SWITCH	PS-22E85L-02	ブ	ッ	シ ュ S W	STEREO INPUT 1 MUTE 3		01
SW514	WH918700	PUSH SWITCH	PS-22E85L-02	ブ	ッ	シ ュ S W	STEREO INPUT 1 MUTE 4		01
SW515	WH918700	PUSH SWITCH	PS-22E85L-02	ブ	ッ	シ ュ S W	AUX PRE 1 1-2		01
SW516	WH918700	PUSH SWITCH	PS-22E85L-02	ブ	ッ	シ ュ S W	AUX PRE 1 3-4		01
SW517	WH918700	PUSH SWITCH	PS-22E85L-02	ブ	ッ	シ ュ S W	AUX PRE 1 5-6		01
SW518	WH918700	PUSH SWITCH	PS-22E85L-02	ブ	ッ	シ ュ S W	AUX PRE 1 7-8		01
SW519	WH918700	PUSH SWITCH	PS-22E85L-02	ブ	ッ	シ ュ S W	STEREO INPUT 1 MONO		01
SW520	WH918800	PUSH SWITCH	PS-42E85L-02	ブ	ッ	シ ュ S W	STEREO INPUT 1 PFL		01
SW521	WH918700	PUSH SWITCH	PS-22E85L-02	ブ	ッ	シ ュ S W	STEREO INPUT 1 1-2		01
SW522	WH918700	PUSH SWITCH	PS-22E85L-02	ブ	ッ	シ ュ S W	STEREO INPUT 1 3-4		01
SW523	WH918700	PUSH SWITCH	PS-22E85L-02	ブ	ッ	シ ュ S W	STEREO INPUT 1 5-6		01
SW524	WH918700	PUSH SWITCH	PS-22E85L-02	ブ	ッ	シ ュ S W	STEREO INPUT 1 7-8		01
SW525	WH918700	PUSH SWITCH	PS-22E85L-02	ブ	ッ	シ ュ S W	STEREO INPUT 1 ST		01
SW610	WH918700	PUSH SWITCH	PS-22E85L-02	ブ	ッ	シ ュ S W	STEREO INPUT 2 ON		01
SW611	WH918700	PUSH SWITCH	PS-22E85L-02	ブ	ッ	シ ュ S W	STEREO INPUT 2 MUTE 1		01
SW612	WH918700	PUSH SWITCH	PS-22E85L-02	ブ	ッ	シ ュ S W	STEREO INPUT 2 MUTE 2		01
SW613	WH918700	PUSH SWITCH	PS-22E85L-02	ブ	ッ	シ ュ S W	STEREO INPUT 2 MUTE 3		01
SW614	WH918700	PUSH SWITCH	PS-22E85L-02	ブ	ッ	シ ュ S W	STEREO INPUT 2 MUTE 4		01
SW615	WH918700	PUSH SWITCH	PS-22E85L-02	ブ	ッ	シ ュ S W	AUX PRE 2 1-2		01
SW616	WH918700	PUSH SWITCH	PS-22E85L-02	ブ	ッ	シ ュ S W	AUX PRE 2 3-4		01
SW617	WH918700	PUSH SWITCH	PS-22E85L-02	ブ	ッ	シ ュ S W	AUX PRE 2 5-6		01
SW618	WH918700	PUSH SWITCH	PS-22E85L-02	ブ	ッ	シ ュ S W	AUX PRE 2 7-8		01
SW619	WH918700	PUSH SWITCH	PS-22E85L-02	ブ	ッ	シ ュ S W	STEREO INPUT 2 MONO		01
SW620	WH918800	PUSH SWITCH	PS-42E85L-02	ブ	ッ	シ ュ S W	STEREO INPUT 2 PFL		01
SW621	WH918700	PUSH SWITCH	PS-22E85L-02	ブ	ッ	シ ュ S W	STEREO INPUT 2 1-2		01
SW622	WH918700	PUSH SWITCH	PS-22E85L-02	ブ	ッ	シ ュ S W	STEREO INPUT 2 3-4		01
SW623	WH918700	PUSH SWITCH	PS-22E85L-02	ブ	ッ	シ ュ S W	STEREO INPUT 2 5-6		01
SW624	WH918700	PUSH SWITCH	PS-22E85L-02	ブ	ッ	シ ュ S W	STEREO INPUT 2 7-8		01
SW625	WH918700	PUSH SWITCH	PS-22E85L-02	ブ	ッ	シ ュ S W	STEREO INPUT 2 ST		01
SW710	WH918700	PUSH SWITCH	PS-22E85L-02	ブ	ッ	シ ュ S W	STEREO INPUT 3 ON		01
SW711	WH918700	PUSH SWITCH	PS-22E85L-02	ブ	ッ	シ ュ S W	STEREO INPUT 3 MUTE 1		01
SW712	WH918700	PUSH SWITCH	PS-22E85L-02	ブ	ッ	シ ュ S W	STEREO INPUT 3 MUTE 2		01
SW713	WH918700	PUSH SWITCH	PS-22E85L-02	ブ	ッ	シ ュ S W	STEREO INPUT 3 MUTE 3		01
SW714	WH918700	PUSH SWITCH	PS-22E85L-02	ブ	ッ	シ ュ S W	STEREO INPUT 3 MUTE 4		01

*: New Parts

RANK: Japan only

PHONES/ST1/ST2/STJK

REF NO.	PART NO.	DESCRIPTION	部 品 名	REMARKS	QTY	RANK
SW715	WH918700	PUSH SWITCH	PS-22E85L-02	プ ッ シ ュ S W	AUX PRE 3 1-2	01
SW716	WH918700	PUSH SWITCH	PS-22E85L-02	プ ッ シ ュ S W	AUX PRE 3 3-4	01
SW717	WH918700	PUSH SWITCH	PS-22E85L-02	プ ッ シ ュ S W	AUX PRE 3 5-6	01
SW718	WH918700	PUSH SWITCH	PS-22E85L-02	プ ッ シ ュ S W	AUX PRE 3 7-8	01
SW719	WH918700	PUSH SWITCH	PS-22E85L-02	プ ッ シ ュ S W	STEREO INPUT 3 MONO	01
SW720	WH918800	PUSH SWITCH	PS-42E85L-02	プ ッ シ ュ S W	STEREO INPUT 3 PFL	01
SW721	WH918700	PUSH SWITCH	PS-22E85L-02	プ ッ シ ュ S W	STEREO INPUT 3 1-2	01
SW722	WH918700	PUSH SWITCH	PS-22E85L-02	プ ッ シ ュ S W	STEREO INPUT 3 3-4	01
SW723	WH918700	PUSH SWITCH	PS-22E85L-02	プ ッ シ ュ S W	STEREO INPUT 3 5-6	01
SW724	WH918700	PUSH SWITCH	PS-22E85L-02	プ ッ シ ュ S W	STEREO INPUT 3 7-8	01
SW725	WH918700	PUSH SWITCH	PS-22E85L-02	プ ッ シ ュ S W	STEREO INPUT 3 ST	01
SW810	WH918700	PUSH SWITCH	PS-22E85L-02	プ ッ シ ュ S W	STEREO INPUT 4 ON	01
SW811	WH918700	PUSH SWITCH	PS-22E85L-02	プ ッ シ ュ S W	STEREO INPUT 4 MUTE 1	01
SW812	WH918700	PUSH SWITCH	PS-22E85L-02	プ ッ シ ュ S W	STEREO INPUT 4 MUTE 2	01
SW813	WH918700	PUSH SWITCH	PS-22E85L-02	プ ッ シ ュ S W	STEREO INPUT 4 MUTE 3	01
SW814	WH918700	PUSH SWITCH	PS-22E85L-02	プ ッ シ ュ S W	STEREO INPUT 4 MUTE 4	01
SW815	WH918700	PUSH SWITCH	PS-22E85L-02	プ ッ シ ュ S W	AUX PRE 4 1-2	01
SW816	WH918700	PUSH SWITCH	PS-22E85L-02	プ ッ シ ュ S W	AUX PRE 4 3-4	01
SW817	WH918700	PUSH SWITCH	PS-22E85L-02	プ ッ シ ュ S W	AUX PRE 4 5-6	01
SW818	WH918700	PUSH SWITCH	PS-22E85L-02	プ ッ シ ュ S W	AUX PRE 4 7-8	01
SW819	WH918700	PUSH SWITCH	PS-22E85L-02	プ ッ シ ュ S W	STEREO INPUT 4 MONO	01
SW820	WH918800	PUSH SWITCH	PS-42E85L-02	プ ッ シ ュ S W	STEREO INPUT 4 PFL	01
SW821	WH918700	PUSH SWITCH	PS-22E85L-02	プ ッ シ ュ S W	STEREO INPUT 4 1-2	01
SW822	WH918700	PUSH SWITCH	PS-22E85L-02	プ ッ シ ュ S W	STEREO INPUT 4 3-4	01
SW823	WH918700	PUSH SWITCH	PS-22E85L-02	プ ッ シ ュ S W	STEREO INPUT 4 5-6	01
SW824	WH918700	PUSH SWITCH	PS-22E85L-02	プ ッ シ ュ S W	STEREO INPUT 4 7-8	01
SW825	WH918700	PUSH SWITCH	PS-22E85L-02	プ ッ シ ュ S W	STEREO INPUT 4 ST	01
VR110	V979110R	ROTARY VARIABLE RESISTOR	C 20.0K XV012313	2 連 □ - タ リ - V R	} GAIN 1	04
* VR110	WN156700	ROTARY VARIABLE RESISTOR	C 20.0K XV012313YG	2 連 □ - タ リ - V R		
* VR111	WM451000	ROTARY VARIABLE RESISTOR	1BP 50K XV012313YG	2 連 □ - タ リ - V R	} LOW 1	04
* VR112	WM451000	ROTARY VARIABLE RESISTOR	1BP 50K XV012313YG	2 連 □ - タ リ - V R		
* VR113	V979140R	ROTARY VARIABLE RESISTOR	4BP 20K XV012313YG	2 連 □ - タ リ - V R	} HI-MID 1	04
* VR113	WN157600	ROTARY VARIABLE RESISTOR	4BP 20K XV012313YG	2 連 □ - タ リ - V R		
* VR114	V979140R	ROTARY VARIABLE RESISTOR	4BP 20K XV012313YG	2 連 □ - タ リ - V R	} LO-MID 1	04
* VR114	WN157600	ROTARY VARIABLE RESISTOR	4BP 20K XV012313YG	2 連 □ - タ リ - V R		
* VR210	V979110R	ROTARY VARIABLE RESISTOR	C 20.0K XV012313	2 連 □ - タ リ - V R	} GAIN 2	04
* VR210	WN156700	ROTARY VARIABLE RESISTOR	C 20.0K XV012313YG	2 連 □ - タ リ - V R		
* VR211	WM451000	ROTARY VARIABLE RESISTOR	1BP 50K XV012313YG	2 連 □ - タ リ - V R	} LOW 2	04
* VR212	WM451000	ROTARY VARIABLE RESISTOR	1BP 50K XV012313YG	2 連 □ - タ リ - V R		
* VR213	V979140R	ROTARY VARIABLE RESISTOR	4BP 20K XV012313YG	2 連 □ - タ リ - V R	} HI-MID 2	04
* VR213	WN157600	ROTARY VARIABLE RESISTOR	4BP 20K XV012313YG	2 連 □ - タ リ - V R		
* VR214	V979140R	ROTARY VARIABLE RESISTOR	4BP 20K XV012313YG	2 連 □ - タ リ - V R	} LO-MID 2	04
* VR214	WN157600	ROTARY VARIABLE RESISTOR	4BP 20K XV012313YG	2 連 □ - タ リ - V R		
* VR310	V979110R	ROTARY VARIABLE RESISTOR	C 20.0K XV012313	2 連 □ - タ リ - V R	} GAIN 3	04
* VR310	WN156700	ROTARY VARIABLE RESISTOR	C 20.0K XV012313YG	2 連 □ - タ リ - V R		
* VR311	WM451000	ROTARY VARIABLE RESISTOR	1BP 50K XV012313YG	2 連 □ - タ リ - V R	} LOW 3	04
* VR312	WM451000	ROTARY VARIABLE RESISTOR	1BP 50K XV012313YG	2 連 □ - タ リ - V R		
* VR313	V979140R	ROTARY VARIABLE RESISTOR	4BP 20K XV012313YG	2 連 □ - タ リ - V R	} HI-MID 3	04
* VR313	WN157600	ROTARY VARIABLE RESISTOR	4BP 20K XV012313YG	2 連 □ - タ リ - V R		
* VR314	V979140R	ROTARY VARIABLE RESISTOR	4BP 20K XV012313YG	2 連 □ - タ リ - V R	} LO-MID 3	04
* VR314	WN157600	ROTARY VARIABLE RESISTOR	4BP 20K XV012313YG	2 連 □ - タ リ - V R		
* VR410	V979110R	ROTARY VARIABLE RESISTOR	C 20.0K XV012313	2 連 □ - タ リ - V R	} GAIN 4	04
* VR410	WN156700	ROTARY VARIABLE RESISTOR	C 20.0K XV012313YG	2 連 □ - タ リ - V R		
* VR411	WM451000	ROTARY VARIABLE RESISTOR	1BP 50K XV012313YG	2 連 □ - タ リ - V R	} LOW 4	04
* VR412	WM451000	ROTARY VARIABLE RESISTOR	1BP 50K XV012313YG	2 連 □ - タ リ - V R		
* VR413	V979140R	ROTARY VARIABLE RESISTOR	4BP 20K XV012313YG	2 連 □ - タ リ - V R	} HI-MID 4	04
* VR413	WN157600	ROTARY VARIABLE RESISTOR	4BP 20K XV012313YG	2 連 □ - タ リ - V R		
* VR414	V979140R	ROTARY VARIABLE RESISTOR	4BP 20K XV012313YG	2 連 □ - タ リ - V R	} LO-MID 4	04
* VR414	WN157600	ROTARY VARIABLE RESISTOR	4BP 20K XV012313YG	2 連 □ - タ リ - V R		
* VR510	WM452800	SLIDE VARIABLE RESISTOR	D 50.0K XVJ100GPV1	二 連 ス ラ イ ド V R	STEREO INPUT 1	
VR511	V979100R	ROTARY VARIABLE RESISTOR	B 20.0K XV09213YNP	□ - タ リ - V R	AUX 1 1	
VR512	V979100R	ROTARY VARIABLE RESISTOR	B 20.0K XV09213YNP	□ - タ リ - V R	AUX 1 2	
VR513	V979100R	ROTARY VARIABLE RESISTOR	B 20.0K XV09213YNP	□ - タ リ - V R	AUX 1 3	
VR514	V979100R	ROTARY VARIABLE RESISTOR	B 20.0K XV09213YNP	□ - タ リ - V R	AUX 1 4	
VR515	V979100R	ROTARY VARIABLE RESISTOR	B 20.0K XV09213YNP	□ - タ リ - V R	AUX 1 5	
VR516	V979100R	ROTARY VARIABLE RESISTOR	B 20.0K XV09213YNP	□ - タ リ - V R	AUX 1 6	
VR517	V979100R	ROTARY VARIABLE RESISTOR	B 20.0K XV09213YNP	□ - タ リ - V R	AUX 1 7	
VR518	V979100R	ROTARY VARIABLE RESISTOR	B 20.0K XV09213YNP	□ - タ リ - V R	AUX 1 8	
VR519	V988610R	ROTARY VARIABLE RESISTOR	15A15C C20K XV0123	2 連 □ - タ リ - V R	} AUX 1 BAL	04
* VR519	WN157700	ROTARY VARIABLE RESISTOR	15A15C C20K XV0123	2 連 □ - タ リ - V R		

*: New Parts

RANK: Japan only

PHONES/ST1/ST2/STJK and SUM

REF NO.	PART NO.	DESCRIPTION	部 品 名	REMARKS	QTY	RANK
* VR610	WM452800	SLIDE VARIABLE RESISTOR	D 50.0K XVJ100GPV1	二 連 ス ラ イ ド ヴ R		
VR611	V979100R	ROTARY VARIABLE RESISTOR	B 20.0K XV09213YNP	ロ ー タ リ ー ヴ R	AUX 2 1	
VR612	V979100R	ROTARY VARIABLE RESISTOR	B 20.0K XV09213YNP	ロ ー タ リ ー ヴ R	AUX 2 2	
VR613	V979100R	ROTARY VARIABLE RESISTOR	B 20.0K XV09213YNP	ロ ー タ リ ー ヴ R	AUX 2 3	
VR614	V979100R	ROTARY VARIABLE RESISTOR	B 20.0K XV09213YNP	ロ ー タ リ ー ヴ R	AUX 2 4	
VR615	V979100R	ROTARY VARIABLE RESISTOR	B 20.0K XV09213YNP	ロ ー タ リ ー ヴ R	AUX 2 5	
VR616	V979100R	ROTARY VARIABLE RESISTOR	B 20.0K XV09213YNP	ロ ー タ リ ー ヴ R	AUX 2 6	
VR617	V979100R	ROTARY VARIABLE RESISTOR	B 20.0K XV09213YNP	ロ ー タ リ ー ヴ R	AUX 2 7	
VR618	V979100R	ROTARY VARIABLE RESISTOR	B 20.0K XV09213YNP	ロ ー タ リ ー ヴ R	AUX 2 8	
VR619	V988610R	ROTARY VARIABLE RESISTOR	15A15C C20K XV0123	2 連 ロ ー タ リ ー ヴ R	AUX 2 BAL	04
* VR619	WN157700	ROTARY VARIABLE RESISTOR	15A15C C20K XV0123	2 連 ロ ー タ リ ー ヴ R		
* VR710	WM452800	SLIDE VARIABLE RESISTOR	D 50.0K XVJ100GPV1	二 連 ス ラ イ ド ヴ R	STEREO INPUT 3	
VR711	V979100R	ROTARY VARIABLE RESISTOR	B 20.0K XV09213YNP	ロ ー タ リ ー ヴ R	AUX 3 1	
VR712	V979100R	ROTARY VARIABLE RESISTOR	B 20.0K XV09213YNP	ロ ー タ リ ー ヴ R	AUX 3 2	
VR713	V979100R	ROTARY VARIABLE RESISTOR	B 20.0K XV09213YNP	ロ ー タ リ ー ヴ R	AUX 3 3	
VR714	V979100R	ROTARY VARIABLE RESISTOR	B 20.0K XV09213YNP	ロ ー タ リ ー ヴ R	AUX 3 4	
VR715	V979100R	ROTARY VARIABLE RESISTOR	B 20.0K XV09213YNP	ロ ー タ リ ー ヴ R	AUX 3 5	
VR716	V979100R	ROTARY VARIABLE RESISTOR	B 20.0K XV09213YNP	ロ ー タ リ ー ヴ R	AUX 3 6	
VR717	V979100R	ROTARY VARIABLE RESISTOR	B 20.0K XV09213YNP	ロ ー タ リ ー ヴ R	AUX 3 7	
VR718	V979100R	ROTARY VARIABLE RESISTOR	B 20.0K XV09213YNP	ロ ー タ リ ー ヴ R	AUX 3 8	
VR719	V988610R	ROTARY VARIABLE RESISTOR	15A15C C20K XV0123	2 連 ロ ー タ リ ー ヴ R	AUX 3 BAL	04
* VR719	WN157700	ROTARY VARIABLE RESISTOR	15A15C C20K XV0123	2 連 ロ ー タ リ ー ヴ R		
* VR810	WM452800	SLIDE VARIABLE RESISTOR	D 50.0K XVJ100GPV1	二 連 ス ラ イ ド ヴ R	STEREO INPUT 4	
VR811	V979100R	ROTARY VARIABLE RESISTOR	B 20.0K XV09213YNP	ロ ー タ リ ー ヴ R	AUX 4 1	
VR812	V979100R	ROTARY VARIABLE RESISTOR	B 20.0K XV09213YNP	ロ ー タ リ ー ヴ R	AUX 4 2	
VR813	V979100R	ROTARY VARIABLE RESISTOR	B 20.0K XV09213YNP	ロ ー タ リ ー ヴ R	AUX 4 3	
VR814	V979100R	ROTARY VARIABLE RESISTOR	B 20.0K XV09213YNP	ロ ー タ リ ー ヴ R	AUX 4 4	
VR815	V979100R	ROTARY VARIABLE RESISTOR	B 20.0K XV09213YNP	ロ ー タ リ ー ヴ R	AUX 4 5	
VR816	V979100R	ROTARY VARIABLE RESISTOR	B 20.0K XV09213YNP	ロ ー タ リ ー ヴ R	AUX 4 6	
VR817	V979100R	ROTARY VARIABLE RESISTOR	B 20.0K XV09213YNP	ロ ー タ リ ー ヴ R	AUX 4 7	
VR818	V979100R	ROTARY VARIABLE RESISTOR	B 20.0K XV09213YNP	ロ ー タ リ ー ヴ R	AUX 4 8	
VR819	V988610R	ROTARY VARIABLE RESISTOR	15A15C C20K XV0123	2 連 ロ ー タ リ ー ヴ R	AUX 4 BAL	04
* VR819	WN157700	ROTARY VARIABLE RESISTOR	15A15C C20K XV0123	2 連 ロ ー タ リ ー ヴ R		
* WJ986500		CIRCUIT BOARD	SUM	S U M シ ー ト	(X8665C0)	
C101	US064100	CERAMIC CAPACITOR-B (CHIP)	0.0100 50V K RECT.	チ ッ プ セ ラ (B)		
C102	US064100	CERAMIC CAPACITOR-B (CHIP)	0.0100 50V K RECT.	チ ッ プ セ ラ (B)		
C103	US062220	CERAMIC CAPACITOR-SL (CHIP)	220P 50V J RECT.	チ ッ プ セ ラ (S L)		
-106	US062220	CERAMIC CAPACITOR-SL (CHIP)	220P 50V J RECT.	チ ッ プ セ ラ (S L)		
C107	US064100	CERAMIC CAPACITOR-B (CHIP)	0.0100 50V K RECT.	チ ッ プ セ ラ (B)		
C108	US061470	CERAMIC CAPACITOR-CH (CHIP)	47P 50V J RECT.	チ ッ プ セ ラ (C H)		
-111	US061470	CERAMIC CAPACITOR-CH (CHIP)	47P 50V J RECT.	チ ッ プ セ ラ (C H)		
C112	US064100	CERAMIC CAPACITOR-B (CHIP)	0.0100 50V K RECT.	チ ッ プ セ ラ (B)		
C113	US064100	CERAMIC CAPACITOR-B (CHIP)	0.0100 50V K RECT.	チ ッ プ セ ラ (B)		
C114	US061470	CERAMIC CAPACITOR-CH (CHIP)	47P 50V J RECT.	チ ッ プ セ ラ (C H)		
-117	US061470	CERAMIC CAPACITOR-CH (CHIP)	47P 50V J RECT.	チ ッ プ セ ラ (C H)		
C118	US064100	CERAMIC CAPACITOR-B (CHIP)	0.0100 50V K RECT.	チ ッ プ セ ラ (B)		
C119	US064100	CERAMIC CAPACITOR-B (CHIP)	0.0100 50V K RECT.	チ ッ プ セ ラ (B)		
C120	US061220	CERAMIC CAPACITOR-CH (CHIP)	22P 50V J RECT.	チ ッ プ セ ラ (C H)		
-123	US061220	CERAMIC CAPACITOR-CH (CHIP)	22P 50V J RECT.	チ ッ プ セ ラ (C H)		
C124	US064100	CERAMIC CAPACITOR-B (CHIP)	0.0100 50V K RECT.	チ ッ プ セ ラ (B)		
C125	UR857470	ELECTROLYTIC CAPACITOR	47.00 35.0V RX TP	ケ ミ コ ン		
-128	UR857470	ELECTROLYTIC CAPACITOR	47.00 35.0V RX TP	ケ ミ コ ン		
C129	US064100	CERAMIC CAPACITOR-B (CHIP)	0.0100 50V K RECT.	チ ッ プ セ ラ (B)		
-131	US064100	CERAMIC CAPACITOR-B (CHIP)	0.0100 50V K RECT.	チ ッ プ セ ラ (B)		
C132	US062220	CERAMIC CAPACITOR-SL (CHIP)	220P 50V J RECT.	チ ッ プ セ ラ (S L)		
-136	US062220	CERAMIC CAPACITOR-SL (CHIP)	220P 50V J RECT.	チ ッ プ セ ラ (S L)		
C137	US064100	CERAMIC CAPACITOR-B (CHIP)	0.0100 50V K RECT.	チ ッ プ セ ラ (B)		
C138	US061470	CERAMIC CAPACITOR-CH (CHIP)	47P 50V J RECT.	チ ッ プ セ ラ (C H)		
-142	US061470	CERAMIC CAPACITOR-CH (CHIP)	47P 50V J RECT.	チ ッ プ セ ラ (C H)		
C143	US064100	CERAMIC CAPACITOR-B (CHIP)	0.0100 50V K RECT.	チ ッ プ セ ラ (B)		
C144	US064100	CERAMIC CAPACITOR-B (CHIP)	0.0100 50V K RECT.	チ ッ プ セ ラ (B)		
C145	US061470	CERAMIC CAPACITOR-CH (CHIP)	47P 50V J RECT.	チ ッ プ セ ラ (C H)		
-149	US061470	CERAMIC CAPACITOR-CH (CHIP)	47P 50V J RECT.	チ ッ プ セ ラ (C H)		
C150	US064100	CERAMIC CAPACITOR-B (CHIP)	0.0100 50V K RECT.	チ ッ プ セ ラ (B)		
C151	US061220	CERAMIC CAPACITOR-CH (CHIP)	22P 50V J RECT.	チ ッ プ セ ラ (C H)		
-154	US061220	CERAMIC CAPACITOR-CH (CHIP)	22P 50V J RECT.	チ ッ プ セ ラ (C H)		
C155	US061470	CERAMIC CAPACITOR-CH (CHIP)	47P 50V J RECT.	チ ッ プ セ ラ (C H)		
C156	US064100	CERAMIC CAPACITOR-B (CHIP)	0.0100 50V K RECT.	チ ッ プ セ ラ (B)		
C157	US064100	CERAMIC CAPACITOR-B (CHIP)	0.0100 50V K RECT.	チ ッ プ セ ラ (B)		

*: New Parts

RANK: Japan only

SUM

REF NO.	PART NO.	DESCRIPTION		部 品 名	REMARKS	QTY	RANK
C158	UR857470	ELECTROLYTIC CAPACITOR	47.00 35.0V RX TP	ケ ミ コ ン			
-162	UR857470	ELECTROLYTIC CAPACITOR	47.00 35.0V RX TP	ケ ミ コ ン			
C163	US064100	CERAMIC CAPACITOR-B (CHIP)	0.0100 50V K RECT.	チ ッ プ セ ラ (B)			
-166	US064100	CERAMIC CAPACITOR-B (CHIP)	0.0100 50V K RECT.	チ ッ プ セ ラ (B)			
C167	US062220	CERAMIC CAPACITOR-SL (CHIP)	220P 50V J RECT.	チ ッ プ セ ラ (S L)			
-171	US062220	CERAMIC CAPACITOR-SL (CHIP)	220P 50V J RECT.	チ ッ プ セ ラ (S L)			
C172	US064100	CERAMIC CAPACITOR-B (CHIP)	0.0100 50V K RECT.	チ ッ プ セ ラ (B)			
C173	US064100	CERAMIC CAPACITOR-B (CHIP)	0.0100 50V K RECT.	チ ッ プ セ ラ (B)			
C174	US061470	CERAMIC CAPACITOR-CH (CHIP)	47P 50V J RECT.	チ ッ プ セ ラ (C H)			
-178	US061470	CERAMIC CAPACITOR-CH (CHIP)	47P 50V J RECT.	チ ッ プ セ ラ (C H)			
C179	US064100	CERAMIC CAPACITOR-B (CHIP)	0.0100 50V K RECT.	チ ッ プ セ ラ (B)			
C180	US064100	CERAMIC CAPACITOR-B (CHIP)	0.0100 50V K RECT.	チ ッ プ セ ラ (B)			
C181	US061470	CERAMIC CAPACITOR-CH (CHIP)	47P 50V J RECT.	チ ッ プ セ ラ (C H)			
-185	US061470	CERAMIC CAPACITOR-CH (CHIP)	47P 50V J RECT.	チ ッ プ セ ラ (C H)			
C186	US064100	CERAMIC CAPACITOR-B (CHIP)	0.0100 50V K RECT.	チ ッ プ セ ラ (B)			
C187	US061470	CERAMIC CAPACITOR-CH (CHIP)	47P 50V J RECT.	チ ッ プ セ ラ (C H)			
-191	US061470	CERAMIC CAPACITOR-CH (CHIP)	47P 50V J RECT.	チ ッ プ セ ラ (C H)			
C192	US064100	CERAMIC CAPACITOR-B (CHIP)	0.0100 50V K RECT.	チ ッ プ セ ラ (B)			
C193	UR857470	ELECTROLYTIC CAPACITOR	47.00 35.0V RX TP	ケ ミ コ ン			
-197	UR857470	ELECTROLYTIC CAPACITOR	47.00 35.0V RX TP	ケ ミ コ ン			
C198	US064100	CERAMIC CAPACITOR-B (CHIP)	0.0100 50V K RECT.	チ ッ プ セ ラ (B)			
-201	US064100	CERAMIC CAPACITOR-B (CHIP)	0.0100 50V K RECT.	チ ッ プ セ ラ (B)			
C202	US062220	CERAMIC CAPACITOR-SL (CHIP)	220P 50V J RECT.	チ ッ プ セ ラ (S L)			
-206	US062220	CERAMIC CAPACITOR-SL (CHIP)	220P 50V J RECT.	チ ッ プ セ ラ (S L)			
C207	US061470	CERAMIC CAPACITOR-CH (CHIP)	47P 50V J RECT.	チ ッ プ セ ラ (C H)			
-211	US061470	CERAMIC CAPACITOR-CH (CHIP)	47P 50V J RECT.	チ ッ プ セ ラ (C H)			
C212	US064100	CERAMIC CAPACITOR-B (CHIP)	0.0100 50V K RECT.	チ ッ プ セ ラ (B)			
C213	US064100	CERAMIC CAPACITOR-B (CHIP)	0.0100 50V K RECT.	チ ッ プ セ ラ (B)			
C214	US061470	CERAMIC CAPACITOR-CH (CHIP)	47P 50V J RECT.	チ ッ プ セ ラ (C H)			
-218	US061470	CERAMIC CAPACITOR-CH (CHIP)	47P 50V J RECT.	チ ッ プ セ ラ (C H)			
C219	US064100	CERAMIC CAPACITOR-B (CHIP)	0.0100 50V K RECT.	チ ッ プ セ ラ (B)			
C220	US064100	CERAMIC CAPACITOR-B (CHIP)	0.0100 50V K RECT.	チ ッ プ セ ラ (B)			
C221	US061470	CERAMIC CAPACITOR-CH (CHIP)	47P 50V J RECT.	チ ッ プ セ ラ (C H)			
-225	US061470	CERAMIC CAPACITOR-CH (CHIP)	47P 50V J RECT.	チ ッ プ セ ラ (C H)			
C226	US064100	CERAMIC CAPACITOR-B (CHIP)	0.0100 50V K RECT.	チ ッ プ セ ラ (B)			
C227	UR857470	ELECTROLYTIC CAPACITOR	47.00 35.0V RX TP	ケ ミ コ ン			
-231	UR857470	ELECTROLYTIC CAPACITOR	47.00 35.0V RX TP	ケ ミ コ ン			
C232	US064100	CERAMIC CAPACITOR-B (CHIP)	0.0100 50V K RECT.	チ ッ プ セ ラ (B)			
C233	US064100	CERAMIC CAPACITOR-B (CHIP)	0.0100 50V K RECT.	チ ッ プ セ ラ (B)			
C234	UR867100	ELECTROLYTIC CAPACITOR	10.00 50.0V RX TP	ケ ミ コ ン			
-236	UR867100	ELECTROLYTIC CAPACITOR	10.00 50.0V RX TP	ケ ミ コ ン			
C237	UU248100	ELECTROLYTIC CAPACITOR-FW	100.00 25.0V RX TP	ケ ミ コ ン F W			
C238	UU248100	ELECTROLYTIC CAPACITOR-FW	100.00 25.0V RX TP	ケ ミ コ ン F W			
C301	US064100	CERAMIC CAPACITOR-B (CHIP)	0.0100 50V K RECT.	チ ッ プ セ ラ (B)			
-310	US064100	CERAMIC CAPACITOR-B (CHIP)	0.0100 50V K RECT.	チ ッ プ セ ラ (B)			
C311	US062220	CERAMIC CAPACITOR-SL (CHIP)	220P 50V J RECT.	チ ッ プ セ ラ (S L)			
-316	US062220	CERAMIC CAPACITOR-SL (CHIP)	220P 50V J RECT.	チ ッ プ セ ラ (S L)			
C317	US064100	CERAMIC CAPACITOR-B (CHIP)	0.0100 50V K RECT.	チ ッ プ セ ラ (B)			
C318	US064100	CERAMIC CAPACITOR-B (CHIP)	0.0100 50V K RECT.	チ ッ プ セ ラ (B)			
C319	US061470	CERAMIC CAPACITOR-CH (CHIP)	47P 50V J RECT.	チ ッ プ セ ラ (C H)			
-322	US061470	CERAMIC CAPACITOR-CH (CHIP)	47P 50V J RECT.	チ ッ プ セ ラ (C H)			
C323	US063100	CERAMIC CAPACITOR-B (CHIP)	1000P 50V K RECT.	チ ッ プ セ ラ (B)			
C324	US063100	CERAMIC CAPACITOR-B (CHIP)	1000P 50V K RECT.	チ ッ プ セ ラ (B)			
C325	UR867100	ELECTROLYTIC CAPACITOR	10.00 50.0V RX TP	ケ ミ コ ン			
C326	UR867100	ELECTROLYTIC CAPACITOR	10.00 50.0V RX TP	ケ ミ コ ン			
C327	US062220	CERAMIC CAPACITOR-SL (CHIP)	220P 50V J RECT.	チ ッ プ セ ラ (S L)			
C328	US062220	CERAMIC CAPACITOR-SL (CHIP)	220P 50V J RECT.	チ ッ プ セ ラ (S L)			
C329	US062100	CERAMIC CAPACITOR-SL (CHIP)	100P 50V J RECT.	チ ッ プ セ ラ (S L)			
C330	US062100	CERAMIC CAPACITOR-SL (CHIP)	100P 50V J RECT.	チ ッ プ セ ラ (S L)			
C331	UR857470	ELECTROLYTIC CAPACITOR	47.00 35.0V RX TP	ケ ミ コ ン			
C332	US061220	CERAMIC CAPACITOR-CH (CHIP)	22P 50V J RECT.	チ ッ プ セ ラ (C H)			
C333	US061220	CERAMIC CAPACITOR-CH (CHIP)	22P 50V J RECT.	チ ッ プ セ ラ (C H)			
C334	UR857470	ELECTROLYTIC CAPACITOR	47.00 35.0V RX TP	ケ ミ コ ン			
C335	UR857470	ELECTROLYTIC CAPACITOR	47.00 35.0V RX TP	ケ ミ コ ン			
C401	UU248100	ELECTROLYTIC CAPACITOR-FW	100.00 25.0V RX TP	ケ ミ コ ン F W			
C404	UU248100	ELECTROLYTIC CAPACITOR-FW	100.00 25.0V RX TP	ケ ミ コ ン F W			
C405	UU248100	ELECTROLYTIC CAPACITOR-FW	100.00 25.0V RX TP	ケ ミ コ ン F W			
C406	UR867100	ELECTROLYTIC CAPACITOR	10.00 50.0V RX TP	ケ ミ コ ン			
-409	UR867100	ELECTROLYTIC CAPACITOR	10.00 50.0V RX TP	ケ ミ コ ン			
C412	UU248100	ELECTROLYTIC CAPACITOR-FW	100.00 25.0V RX TP	ケ ミ コ ン F W			

*: New Parts

RANK: Japan only

SUM

REF NO.	PART NO.	DESCRIPTION	部 品 名	REMARKS	QTY	RANK
C413	US061330	CERAMIC CAPACITOR-CH (CHIP)	33P 50V J RECT.	チップセラ (C H)		
-420	US061330	CERAMIC CAPACITOR-CH (CHIP)	33P 50V J RECT.	チップセラ (C H)		
C421	UU248100	ELECTROLYTIC CAPACITOR-FW	100.00 25.0V RX TP	ケミコン F W		
C424	UU248100	ELECTROLYTIC CAPACITOR-FW	100.00 25.0V RX TP	ケミコン F W		
C425	UR858100	ELECTROLYTIC CAPACITOR	100.00 35.0V RX TP	ケミコン		
-432	UR858100	ELECTROLYTIC CAPACITOR	100.00 35.0V RX TP	ケミコン		
C433	UU248100	ELECTROLYTIC CAPACITOR-FW	100.00 25.0V RX TP	ケミコン F W		
C436	UU248100	ELECTROLYTIC CAPACITOR-FW	100.00 25.0V RX TP	ケミコン F W		
C437	UU248100	ELECTROLYTIC CAPACITOR-FW	100.00 25.0V RX TP	ケミコン F W		
C440	UU248100	ELECTROLYTIC CAPACITOR-FW	100.00 25.0V RX TP	ケミコン F W		
C441	UR867100	ELECTROLYTIC CAPACITOR	10.00 50.0V RX TP	ケミコン		
-444	UR867100	ELECTROLYTIC CAPACITOR	10.00 50.0V RX TP	ケミコン		
C445	UU248100	ELECTROLYTIC CAPACITOR-FW	100.00 25.0V RX TP	ケミコン F W		
C448	US061330	CERAMIC CAPACITOR-CH (CHIP)	33P 50V J RECT.	チップセラ (C H)		
-455	US061330	CERAMIC CAPACITOR-CH (CHIP)	33P 50V J RECT.	チップセラ (C H)		
C456	UU248100	ELECTROLYTIC CAPACITOR-FW	100.00 25.0V RX TP	ケミコン F W		
C457	UU248100	ELECTROLYTIC CAPACITOR-FW	100.00 25.0V RX TP	ケミコン F W		
C460	UR858100	ELECTROLYTIC CAPACITOR	100.00 35.0V RX TP	ケミコン		
-467	UR858100	ELECTROLYTIC CAPACITOR	100.00 35.0V RX TP	ケミコン		
C468	UU248100	ELECTROLYTIC CAPACITOR-FW	100.00 25.0V RX TP	ケミコン F W		
C469	UU248100	ELECTROLYTIC CAPACITOR-FW	100.00 25.0V RX TP	ケミコン F W		
C472	UU248100	ELECTROLYTIC CAPACITOR-FW	100.00 25.0V RX TP	ケミコン F W		
C473	UR867100	ELECTROLYTIC CAPACITOR	10.00 50.0V RX TP	ケミコン		
-475	UR867100	ELECTROLYTIC CAPACITOR	10.00 50.0V RX TP	ケミコン		
C476	UU248100	ELECTROLYTIC CAPACITOR-FW	100.00 25.0V RX TP	ケミコン F W		
C479	US061330	CERAMIC CAPACITOR-CH (CHIP)	33P 50V J RECT.	チップセラ (C H)		
-484	US061330	CERAMIC CAPACITOR-CH (CHIP)	33P 50V J RECT.	チップセラ (C H)		
C485	UU248100	ELECTROLYTIC CAPACITOR-FW	100.00 25.0V RX TP	ケミコン F W		
-487	UU248100	ELECTROLYTIC CAPACITOR-FW	100.00 25.0V RX TP	ケミコン F W		
C492	UU248100	ELECTROLYTIC CAPACITOR-FW	100.00 25.0V RX TP	ケミコン F W		
-495	UU248100	ELECTROLYTIC CAPACITOR-FW	100.00 25.0V RX TP	ケミコン F W		
C496	UR858100	ELECTROLYTIC CAPACITOR	100.00 35.0V RX TP	ケミコン		
C497	UR858100	ELECTROLYTIC CAPACITOR	100.00 35.0V RX TP	ケミコン		
C498	UU248100	ELECTROLYTIC CAPACITOR-FW	100.00 25.0V RX TP	ケミコン F W		
C499	UU248100	ELECTROLYTIC CAPACITOR-FW	100.00 25.0V RX TP	ケミコン F W		
C701	UR848470	ELECTROLYTIC CAPACITOR	470.00 25.0V RX TP	ケミコン		
C702	US064100	CERAMIC CAPACITOR-B (CHIP)	0.0100 50V K RECT.	チップセラ (B)		
C703	US064100	CERAMIC CAPACITOR-B (CHIP)	0.0100 50V K RECT.	チップセラ (B)		
C704	UR848470	ELECTROLYTIC CAPACITOR	470.00 25.0V RX TP	ケミコン		
C709	UR867100	ELECTROLYTIC CAPACITOR	10.00 50.0V RX TP	ケミコン		
C710	UR867100	ELECTROLYTIC CAPACITOR	10.00 50.0V RX TP	ケミコン		
C711	US062100	CERAMIC CAPACITOR-SL (CHIP)	100P 50V J RECT.	チップセラ (S L)		
C712	US062100	CERAMIC CAPACITOR-SL (CHIP)	100P 50V J RECT.	チップセラ (S L)		
C715	US061470	CERAMIC CAPACITOR-CH (CHIP)	47P 50V J RECT.	チップセラ (C H)		
C716	US061470	CERAMIC CAPACITOR-CH (CHIP)	47P 50V J RECT.	チップセラ (C H)		
C719	UR838100	ELECTROLYTIC CAPACITOR	100.00 16.0V RX TP	ケミコン		
C720	UR838100	ELECTROLYTIC CAPACITOR	100.00 16.0V RX TP	ケミコン		
C801	UR867100	ELECTROLYTIC CAPACITOR	10.00 50.0V RX TP	ケミコン		
C802	UR867100	ELECTROLYTIC CAPACITOR	10.00 50.0V RX TP	ケミコン		
C803	US065100	CERAMIC CAPACITOR-F (CHIP)	0.100 50V Z RECT.	チップセラ F		
C804	US065100	CERAMIC CAPACITOR-F (CHIP)	0.100 50V Z RECT.	チップセラ F		
C805	UU248470	ELECTROLYTIC CAPACITOR-FW	470.00 25.0V RX TP	ケミコン F W		01
C806	UU248470	ELECTROLYTIC CAPACITOR-FW	470.00 25.0V RX TP	ケミコン F W		01
C807	UR877470	ELECTROLYTIC CAPACITOR	47.00 63.0V RX TP	ケミコン		
C808	UU248470	ELECTROLYTIC CAPACITOR-FW	470.00 25.0V RX TP	ケミコン F W		01
C811	US065100	CERAMIC CAPACITOR-F (CHIP)	0.100 50V Z RECT.	チップセラ F		
C813	UR867100	ELECTROLYTIC CAPACITOR	10.00 50.0V RX TP	ケミコン		
C814	UR867100	ELECTROLYTIC CAPACITOR	10.00 50.0V RX TP	ケミコン		
C815	UU248470	ELECTROLYTIC CAPACITOR-FW	470.00 25.0V RX TP	ケミコン F W		01
-817	UU248470	ELECTROLYTIC CAPACITOR-FW	470.00 25.0V RX TP	ケミコン F W		01
CN101	VF728200	CONNECTOR BASE PIN	52147 10P TE	ワイヤートラップ		
CN102	VF728200	CONNECTOR BASE PIN	52147 10P TE	ワイヤートラップ		
CN103	VB390200	CONNECTOR BASE POST, TOP	PH 6P TE	ベースポスト		01
CN201	VB390200	CONNECTOR BASE POST, TOP	PH 6P TE	ベースポスト		01
CN202	VB39080R	CONNECTOR BASE POST, TOP	PH 12P TE	ベースポスト		01
CN203	VB39070R	CONNECTOR BASE POST, TOP	PH 11P TE	ベースポスト		01
CN204	VB390500	CONNECTOR BASE POST, TOP	PH 9P TE	ベースポスト		
CN205	VB39000R	CONNECTOR BASE POST, TOP	PH 4P TE	ベースポスト		01
CN206	VB38990R	CONNECTOR BASE POST, TOP	PH 3P TE	ベースポスト		01
CN207	VB39030R	CONNECTOR BASE POST, TOP	PH 7P TE	ベースポスト		01

*: New Parts

RANK: Japan only

SUM

REF NO.	PART NO.	DESCRIPTION	部 品 名	REMARKS	QTY	RANK
CN208	VB39070R	CONNECTOR BASE POST, TOP	PH 11P TE	ベースポスト		01
CN301	VB39010R	CONNECTOR BASE POST, TOP	PH 5P TE	ベースポスト		01
CN302	VB39030R	CONNECTOR BASE POST, TOP	PH 7P TE	ベースポスト		01
CN303	VB39010R	CONNECTOR BASE POST, TOP	PH 5P TE	ベースポスト		01
CN304	VB39000R	CONNECTOR BASE POST, TOP	PH 4P TE	ベースポスト		01
CN305	VB38990R	CONNECTOR BASE POST, TOP	PH 3P TE	ベースポスト		01
CN401	VB390500	CONNECTOR BASE POST, TOP	PH 9P TE	ベースポスト		
CN411	VB39080R	CONNECTOR BASE POST, TOP	PH 12P TE	ベースポスト		01
CN412	VB39080R	CONNECTOR BASE POST, TOP	PH 12P TE	ベースポスト		01
CN413	VF28310R	CONNECTOR BASE POST, TOP	PH 13P TE	ベースポスト		01
CN414	VB39010R	CONNECTOR BASE POST, TOP	PH 5P TE	ベースポスト		01
CN415	VB390500	CONNECTOR BASE POST, TOP	PH 9P TE	ベースポスト		
CN501	VK217500	FJ CONNECTOR	FJ 12P	FJリーセブタクル		
CN502	VK217500	FJ CONNECTOR	FJ 12P	FJリーセブタクル		
CN503	VF72830R	CONNECTOR	52147 6P TE	ワイヤートラップ		01
CN504	VJ86160R	CONNECTOR	52147 16P TE	ワイヤートラップ		01
* CN601	WK536500	FJK CONNECTOR	FJK SERIES 12P	FJKコネクタ		
* CN602	WK536500	FJK CONNECTOR	FJK SERIES 12P	FJKコネクタ		
CN603	VF72830R	CONNECTOR	52147 6P TE	ワイヤートラップ		01
CN604	VJ86160R	CONNECTOR	52147 16P TE	ワイヤートラップ		01
CN701	VB38990R	CONNECTOR BASE POST, TOP	PH 3P TE	ベースポスト		01
CN702	VB39040R	CONNECTOR BASE POST, TOP	PH 8P TE	ベースポスト		01
CN703	VB39000R	CONNECTOR BASE POST, TOP	PH 4P TE	ベースポスト		01
CN801	LB93206R	CONNECTOR BASE POST, TOP	VH 6P TE	ベースポスト		01
D301	VT332900	DIODE	1SS355 TE-17 TP	ダイオード		
-303	VT332900	DIODE	1SS355 TE-17 TP	ダイオード		
D304	VN77170R	DIODE	D1NS4-4083 1A40V T	ショットキーダイオード		01
-307	VN77170R	DIODE	D1NS4-4083 1A40V T	ショットキーダイオード		01
IC101	X3505A00	IC	NJM2068M-D(TE2)	I	C	OP AMP
-119	X3505A00	IC	NJM2068M-D(TE2)	I	C	OP AMP
IC301	X3505A00	IC	NJM2068M-D(TE2)	I	C	OP AMP
-303	X3505A00	IC	NJM2068M-D(TE2)	I	C	OP AMP
IC304	X6897A00	IC	BA4560RF-E2	I	C	OP AMP
IC305	X6897A00	IC	BA4560RF-E2	I	C	OP AMP
IC401	X5025A0R	IC	NJM4580M-D(TE2)	I	C	OP AMP
-411	X5025A0R	IC	NJM4580M-D(TE2)	I	C	OP AMP
IC701	XP844A00	IC	NJM4556AL	I	C	OP AMP
IC801	XS534A00	IC	NJM78M05DL1A	I	C	REGULATOR +5V
IC802	X4822A00	IC	NJM79M05DL1A(TE1)	I	C	REGULATOR -5V
K501	--	TERMINAL FITTINGS		ターミナル金具		(WM04380)
K502	--	TERMINAL FITTINGS		ターミナル金具		(WM04380)
K601	--	TERMINAL FITTINGS		ターミナル金具		(WM04380)
K602	--	TERMINAL FITTINGS		ターミナル金具		(WM04380)
K801	--	TERMINAL FITTINGS		ターミナル金具		(WM04380)
K802	--	TERMINAL FITTINGS		ターミナル金具		(WM04380)
Q301	VD303700	TRANSISTOR	2SC3326 -A,B(TE85R)	トランジスタ	2 S C	
Q302	VD303700	TRANSISTOR	2SC3326 -A,B(TE85R)	トランジスタ	2 S C	
Q303	VV556400	TRANSISTOR	2SC2412K Q,R,S TP	トランジスタ	2 S C	
-305	VV556400	TRANSISTOR	2SC2412K Q,R,S TP	トランジスタ	2 S C	
R101	RF457180	CHIP RESISTOR 1/16W	18.0K D RECT.	チップ抵抗		
-108	RF457180	CHIP RESISTOR 1/16W	18.0K D RECT.	チップ抵抗		
R109	RF457360	CHIP RESISTOR 1/16W	36.0K D RECT.	チップ抵抗		
-112	RF457360	CHIP RESISTOR 1/16W	36.0K D RECT.	チップ抵抗		
R113	RD358100	CHIP RESISTOR 1/16W	100.0K 63M J RECT.	チップ抵抗		
-116	RD358100	CHIP RESISTOR 1/16W	100.0K 63M J RECT.	チップ抵抗		
R117	RF457180	CHIP RESISTOR 1/16W	18.0K D RECT.	チップ抵抗		
-126	RF457180	CHIP RESISTOR 1/16W	18.0K D RECT.	チップ抵抗		
R127	RF457360	CHIP RESISTOR 1/16W	36.0K D RECT.	チップ抵抗		
-130	RF457360	CHIP RESISTOR 1/16W	36.0K D RECT.	チップ抵抗		
R131	RF457180	CHIP RESISTOR 1/16W	18.0K D RECT.	チップ抵抗		
R132	RD358100	CHIP RESISTOR 1/16W	100.0K 63M J RECT.	チップ抵抗		
-136	RD358100	CHIP RESISTOR 1/16W	100.0K 63M J RECT.	チップ抵抗		
R137	RF457180	CHIP RESISTOR 1/16W	18.0K D RECT.	チップ抵抗		
-151	RF457180	CHIP RESISTOR 1/16W	18.0K D RECT.	チップ抵抗		
R152	RD358100	CHIP RESISTOR 1/16W	100.0K 63M J RECT.	チップ抵抗		
-156	RD358100	CHIP RESISTOR 1/16W	100.0K 63M J RECT.	チップ抵抗		
R157	RF457180	CHIP RESISTOR 1/16W	18.0K D RECT.	チップ抵抗		
-171	RF457180	CHIP RESISTOR 1/16W	18.0K D RECT.	チップ抵抗		
R172	RD358100	CHIP RESISTOR 1/16W	100.0K 63M J RECT.	チップ抵抗		
-179	RD358100	CHIP RESISTOR 1/16W	100.0K 63M J RECT.	チップ抵抗		

*: New Parts

RANK: Japan only

SUM

REF NO.	PART NO.	DESCRIPTION	部	品	名	REMARKS	QTY	RANK
R301	RD357220	CHIP RESISTOR 1/16W	22.0K 63M J RECT.	チ	ッ	ブ 抵 抗		01
R302	RD358100	CHIP RESISTOR 1/16W	100.0K 63M J RECT.	チ	ッ	ブ 抵 抗		
R303	RD357220	CHIP RESISTOR 1/16W	22.0K 63M J RECT.	チ	ッ	ブ 抵 抗		01
R304	RF457180	CHIP RESISTOR 1/16W	18.0K D RECT.	チ	ッ	ブ 抵 抗		
-307	RF457180	CHIP RESISTOR 1/16W	18.0K D RECT.	チ	ッ	ブ 抵 抗		
R308	RF457150	CHIP RESISTOR 1/16W	15.0K D 1608	チ	ッ	ブ 抵 抗		01
R309	RD357100	CHIP RESISTOR 1/16W	10.0K 63M J RECT.	チ	ッ	ブ 抵 抗		01
R310	RD358220	CHIP RESISTOR 1/16W	220.0K 63M J RECT.	チ	ッ	ブ 抵 抗		
R311	RD358220	CHIP RESISTOR 1/16W	220.0K 63M J RECT.	チ	ッ	ブ 抵 抗		
R312	RF457150	CHIP RESISTOR 1/16W	15.0K D 1608	チ	ッ	ブ 抵 抗		01
R313	RD355220	CHIP RESISTOR 1/16W	220.0 63M J RECT.	チ	ッ	ブ 抵 抗		
R314	RF457150	CHIP RESISTOR 1/16W	15.0K D 1608	チ	ッ	ブ 抵 抗		01
R315	RD355220	CHIP RESISTOR 1/16W	220.0 63M J RECT.	チ	ッ	ブ 抵 抗		
R316	RF457330	CHIP RESISTOR 1/16W	33.0K D RECT.	チ	ッ	ブ 抵 抗		
R317	RF457330	CHIP RESISTOR 1/16W	33.0K D RECT.	チ	ッ	ブ 抵 抗		
R318	RF457180	CHIP RESISTOR 1/16W	18.0K D RECT.	チ	ッ	ブ 抵 抗		
R319	RF457180	CHIP RESISTOR 1/16W	18.0K D RECT.	チ	ッ	ブ 抵 抗		
R320	RD35747R	CHIP RESISTOR 1/16W	47.0K 63M J RECT.	チ	ッ	ブ 抵 抗		01
R321	RD358100	CHIP RESISTOR 1/16W	100.0K 63M J RECT.	チ	ッ	ブ 抵 抗		
R322	RD357220	CHIP RESISTOR 1/16W	22.0K 63M J RECT.	チ	ッ	ブ 抵 抗		01
R323	RD35747R	CHIP RESISTOR 1/16W	47.0K 63M J RECT.	チ	ッ	ブ 抵 抗		01
R324	RF457330	CHIP RESISTOR 1/16W	33.0K D RECT.	チ	ッ	ブ 抵 抗		
R325	RF457330	CHIP RESISTOR 1/16W	33.0K D RECT.	チ	ッ	ブ 抵 抗		
R326	RD358100	CHIP RESISTOR 1/16W	100.0K 63M J RECT.	チ	ッ	ブ 抵 抗		
-329	RD358100	CHIP RESISTOR 1/16W	100.0K 63M J RECT.	チ	ッ	ブ 抵 抗		
R330	RD357100	CHIP RESISTOR 1/16W	10.0K 63M J RECT.	チ	ッ	ブ 抵 抗		01
R331	RD357100	CHIP RESISTOR 1/16W	10.0K 63M J RECT.	チ	ッ	ブ 抵 抗		01
R401	RD358100	CHIP RESISTOR 1/16W	100.0K 63M J RECT.	チ	ッ	ブ 抵 抗		
-404	RD358100	CHIP RESISTOR 1/16W	100.0K 63M J RECT.	チ	ッ	ブ 抵 抗		
R405	RF457100	CHIP RESISTOR 1/16W	10.0K D RECT.	チ	ッ	ブ 抵 抗		
R406	RF457100	CHIP RESISTOR 1/16W	10.0K D RECT.	チ	ッ	ブ 抵 抗		
R407	RF45711R	CHIP RESISTOR 1/16W	11.0K D RECT.	チ	ッ	ブ 抵 抗		01
R408	RF457100	CHIP RESISTOR 1/16W	10.0K D RECT.	チ	ッ	ブ 抵 抗		
R409	RF457100	CHIP RESISTOR 1/16W	10.0K D RECT.	チ	ッ	ブ 抵 抗		
R410	RF45711R	CHIP RESISTOR 1/16W	11.0K D RECT.	チ	ッ	ブ 抵 抗		01
R411	RF457100	CHIP RESISTOR 1/16W	10.0K D RECT.	チ	ッ	ブ 抵 抗		
R412	RF457100	CHIP RESISTOR 1/16W	10.0K D RECT.	チ	ッ	ブ 抵 抗		
R413	RF45711R	CHIP RESISTOR 1/16W	11.0K D RECT.	チ	ッ	ブ 抵 抗		01
R414	RF457100	CHIP RESISTOR 1/16W	10.0K D RECT.	チ	ッ	ブ 抵 抗		
R415	RF457100	CHIP RESISTOR 1/16W	10.0K D RECT.	チ	ッ	ブ 抵 抗		
R416	RF45711R	CHIP RESISTOR 1/16W	11.0K D RECT.	チ	ッ	ブ 抵 抗		01
R417	RF457100	CHIP RESISTOR 1/16W	10.0K D RECT.	チ	ッ	ブ 抵 抗		
-420	RF457100	CHIP RESISTOR 1/16W	10.0K D RECT.	チ	ッ	ブ 抵 抗		
R421	RF457180	CHIP RESISTOR 1/16W	18.0K D RECT.	チ	ッ	ブ 抵 抗		
R422	RF45720R	CHIP RESISTOR 1/16W	20.0K D RECT.	チ	ッ	ブ 抵 抗		01
R423	RF45720R	CHIP RESISTOR 1/16W	20.0K D RECT.	チ	ッ	ブ 抵 抗		01
R424	RF457180	CHIP RESISTOR 1/16W	18.0K D RECT.	チ	ッ	ブ 抵 抗		
R425	RF457180	CHIP RESISTOR 1/16W	18.0K D RECT.	チ	ッ	ブ 抵 抗		
R426	RF45720R	CHIP RESISTOR 1/16W	20.0K D RECT.	チ	ッ	ブ 抵 抗		01
R427	RF45720R	CHIP RESISTOR 1/16W	20.0K D RECT.	チ	ッ	ブ 抵 抗		01
R428	RF457180	CHIP RESISTOR 1/16W	18.0K D RECT.	チ	ッ	ブ 抵 抗		
R429	RF457180	CHIP RESISTOR 1/16W	18.0K D RECT.	チ	ッ	ブ 抵 抗		
R430	RF45720R	CHIP RESISTOR 1/16W	20.0K D RECT.	チ	ッ	ブ 抵 抗		01
R431	RF45720R	CHIP RESISTOR 1/16W	20.0K D RECT.	チ	ッ	ブ 抵 抗		01
R432	RF457180	CHIP RESISTOR 1/16W	18.0K D RECT.	チ	ッ	ブ 抵 抗		
R433	RF457180	CHIP RESISTOR 1/16W	18.0K D RECT.	チ	ッ	ブ 抵 抗		
R434	RF45720R	CHIP RESISTOR 1/16W	20.0K D RECT.	チ	ッ	ブ 抵 抗		01
R435	RF45720R	CHIP RESISTOR 1/16W	20.0K D RECT.	チ	ッ	ブ 抵 抗		01
R436	RF457180	CHIP RESISTOR 1/16W	18.0K D RECT.	チ	ッ	ブ 抵 抗		
R437	RF454750	CHIP RESISTOR 1/16W	75.0 D RECT.	チ	ッ	ブ 抵 抗		
-444	RF454750	CHIP RESISTOR 1/16W	75.0 D RECT.	チ	ッ	ブ 抵 抗		
R445	RD358100	CHIP RESISTOR 1/16W	100.0K 63M J RECT.	チ	ッ	ブ 抵 抗		
-456	RD358100	CHIP RESISTOR 1/16W	100.0K 63M J RECT.	チ	ッ	ブ 抵 抗		
R457	RF457100	CHIP RESISTOR 1/16W	10.0K D RECT.	チ	ッ	ブ 抵 抗		
R458	RF457100	CHIP RESISTOR 1/16W	10.0K D RECT.	チ	ッ	ブ 抵 抗		
R459	RF45711R	CHIP RESISTOR 1/16W	11.0K D RECT.	チ	ッ	ブ 抵 抗		01
R460	RF457100	CHIP RESISTOR 1/16W	10.0K D RECT.	チ	ッ	ブ 抵 抗		
R461	RF457100	CHIP RESISTOR 1/16W	10.0K D RECT.	チ	ッ	ブ 抵 抗		
R462	RF45711R	CHIP RESISTOR 1/16W	11.0K D RECT.	チ	ッ	ブ 抵 抗		01
R463	RF457100	CHIP RESISTOR 1/16W	10.0K D RECT.	チ	ッ	ブ 抵 抗		

*: New Parts

RANK: Japan only

SUM

REF NO.	PART NO.	DESCRIPTION		部	品	名	REMARKS	QTY	RANK
R464	RF457100	CHIP RESISTOR 1/16W	10.0K D RECT.	チ	ッ	ブ	抵抗		
R465	RF45711R	CHIP RESISTOR 1/16W	11.0K D RECT.	チ	ッ	ブ	抵抗		01
R466	RF457100	CHIP RESISTOR 1/16W	10.0K D RECT.	チ	ッ	ブ	抵抗		
R467	RF457100	CHIP RESISTOR 1/16W	10.0K D RECT.	チ	ッ	ブ	抵抗		
R468	RF45711R	CHIP RESISTOR 1/16W	11.0K D RECT.	チ	ッ	ブ	抵抗		01
R469	RF457100	CHIP RESISTOR 1/16W	10.0K D RECT.	チ	ッ	ブ	抵抗		
-472	RF457100	CHIP RESISTOR 1/16W	10.0K D RECT.	チ	ッ	ブ	抵抗		
R473	RF457180	CHIP RESISTOR 1/16W	18.0K D RECT.	チ	ッ	ブ	抵抗		
R474	RF45720R	CHIP RESISTOR 1/16W	20.0K D RECT.	チ	ッ	ブ	抵抗		01
R475	RF45720R	CHIP RESISTOR 1/16W	20.0K D RECT.	チ	ッ	ブ	抵抗		01
R476	RF457180	CHIP RESISTOR 1/16W	18.0K D RECT.	チ	ッ	ブ	抵抗		
R477	RF457180	CHIP RESISTOR 1/16W	18.0K D RECT.	チ	ッ	ブ	抵抗		
R478	RF45720R	CHIP RESISTOR 1/16W	20.0K D RECT.	チ	ッ	ブ	抵抗		01
R479	RF45720R	CHIP RESISTOR 1/16W	20.0K D RECT.	チ	ッ	ブ	抵抗		01
R480	RF457180	CHIP RESISTOR 1/16W	18.0K D RECT.	チ	ッ	ブ	抵抗		
R481	RF457180	CHIP RESISTOR 1/16W	18.0K D RECT.	チ	ッ	ブ	抵抗		
R482	RF45720R	CHIP RESISTOR 1/16W	20.0K D RECT.	チ	ッ	ブ	抵抗		01
R483	RF45720R	CHIP RESISTOR 1/16W	20.0K D RECT.	チ	ッ	ブ	抵抗		01
R484	RF457180	CHIP RESISTOR 1/16W	18.0K D RECT.	チ	ッ	ブ	抵抗		
R485	RF457180	CHIP RESISTOR 1/16W	18.0K D RECT.	チ	ッ	ブ	抵抗		
R486	RF45720R	CHIP RESISTOR 1/16W	20.0K D RECT.	チ	ッ	ブ	抵抗		01
R487	RF45720R	CHIP RESISTOR 1/16W	20.0K D RECT.	チ	ッ	ブ	抵抗		01
R488	RF457180	CHIP RESISTOR 1/16W	18.0K D RECT.	チ	ッ	ブ	抵抗		
R489	RF454750	CHIP RESISTOR 1/16W	75.0 D RECT.	チ	ッ	ブ	抵抗		
-496	RF454750	CHIP RESISTOR 1/16W	75.0 D RECT.	チ	ッ	ブ	抵抗		
R497	RD358100	CHIP RESISTOR 1/16W	100.0K 63M J RECT.	チ	ッ	ブ	抵抗		
-507	RD358100	CHIP RESISTOR 1/16W	100.0K 63M J RECT.	チ	ッ	ブ	抵抗		
R508	RF457100	CHIP RESISTOR 1/16W	10.0K D RECT.	チ	ッ	ブ	抵抗		
R509	RF457100	CHIP RESISTOR 1/16W	10.0K D RECT.	チ	ッ	ブ	抵抗		
R510	RF45711R	CHIP RESISTOR 1/16W	11.0K D RECT.	チ	ッ	ブ	抵抗		01
R511	RF457100	CHIP RESISTOR 1/16W	10.0K D RECT.	チ	ッ	ブ	抵抗		
R512	RF457100	CHIP RESISTOR 1/16W	10.0K D RECT.	チ	ッ	ブ	抵抗		
R513	RF45711R	CHIP RESISTOR 1/16W	11.0K D RECT.	チ	ッ	ブ	抵抗		01
R514	RF457100	CHIP RESISTOR 1/16W	10.0K D RECT.	チ	ッ	ブ	抵抗		
R515	RF457100	CHIP RESISTOR 1/16W	10.0K D RECT.	チ	ッ	ブ	抵抗		
R516	RF45711R	CHIP RESISTOR 1/16W	11.0K D RECT.	チ	ッ	ブ	抵抗		01
R517	RF457100	CHIP RESISTOR 1/16W	10.0K D RECT.	チ	ッ	ブ	抵抗		
-519	RF457100	CHIP RESISTOR 1/16W	10.0K D RECT.	チ	ッ	ブ	抵抗		
R520	RF457180	CHIP RESISTOR 1/16W	18.0K D RECT.	チ	ッ	ブ	抵抗		
R521	RF45720R	CHIP RESISTOR 1/16W	20.0K D RECT.	チ	ッ	ブ	抵抗		01
R522	RF45720R	CHIP RESISTOR 1/16W	20.0K D RECT.	チ	ッ	ブ	抵抗		01
R523	RF457180	CHIP RESISTOR 1/16W	18.0K D RECT.	チ	ッ	ブ	抵抗		
R524	RF457180	CHIP RESISTOR 1/16W	18.0K D RECT.	チ	ッ	ブ	抵抗		
R525	RF45720R	CHIP RESISTOR 1/16W	20.0K D RECT.	チ	ッ	ブ	抵抗		01
R526	RF45720R	CHIP RESISTOR 1/16W	20.0K D RECT.	チ	ッ	ブ	抵抗		01
R527	RF457180	CHIP RESISTOR 1/16W	18.0K D RECT.	チ	ッ	ブ	抵抗		
R528	RF457180	CHIP RESISTOR 1/16W	18.0K D RECT.	チ	ッ	ブ	抵抗		
R529	RF45720R	CHIP RESISTOR 1/16W	20.0K D RECT.	チ	ッ	ブ	抵抗		01
R530	RF45720R	CHIP RESISTOR 1/16W	20.0K D RECT.	チ	ッ	ブ	抵抗		01
R531	RF457180	CHIP RESISTOR 1/16W	18.0K D RECT.	チ	ッ	ブ	抵抗		
R532	RF454750	CHIP RESISTOR 1/16W	75.0 D RECT.	チ	ッ	ブ	抵抗		
-537	RF454750	CHIP RESISTOR 1/16W	75.0 D RECT.	チ	ッ	ブ	抵抗		
R538	RD358100	CHIP RESISTOR 1/16W	100.0K 63M J RECT.	チ	ッ	ブ	抵抗		
-543	RD358100	CHIP RESISTOR 1/16W	100.0K 63M J RECT.	チ	ッ	ブ	抵抗		
R701	HV754100	FLAME PROOF C. RESISTOR	10.0 1/4 J RX TP	不	燃	化	カーボン抵抗		
R702	HV754100	FLAME PROOF C. RESISTOR	10.0 1/4 J RX TP	不	燃	化	カーボン抵抗		
R705	RD358100	CHIP RESISTOR 1/16W	100.0K 63M J RECT.	チ	ッ	ブ	抵抗		
R706	RD358100	CHIP RESISTOR 1/16W	100.0K 63M J RECT.	チ	ッ	ブ	抵抗		
R707	RF456180	CHIP RESISTOR 1/16W	1.8K D RECT.	チ	ッ	ブ	抵抗		
R708	RF456180	CHIP RESISTOR 1/16W	1.8K D RECT.	チ	ッ	ブ	抵抗		
R711	RF457180	CHIP RESISTOR 1/16W	18.0K D RECT.	チ	ッ	ブ	抵抗		
R713	RF457180	CHIP RESISTOR 1/16W	18.0K D RECT.	チ	ッ	ブ	抵抗		
R715	RD358100	CHIP RESISTOR 1/16W	100.0K 63M J RECT.	チ	ッ	ブ	抵抗		
R716	RD358100	CHIP RESISTOR 1/16W	100.0K 63M J RECT.	チ	ッ	ブ	抵抗		
R719	RD15522R	CHIP RESISTOR (1/4W)	220.0 1/4 J TP	チ	ッ	ブ	抵抗		
-722	RD15522R	CHIP RESISTOR (1/4W)	220.0 1/4 J TP	チ	ッ	ブ	抵抗		
R801	RD358220	CHIP RESISTOR 1/16W	220.0K 63M J RECT.	チ	ッ	ブ	抵抗		
R802	RD358100	CHIP RESISTOR 1/16W	100.0K 63M J RECT.	チ	ッ	ブ	抵抗		
R803	RD15522R	CHIP RESISTOR (1/4W)	220.0 1/4 J TP	チ	ッ	ブ	抵抗		
R804	RD15522R	CHIP RESISTOR (1/4W)	220.0 1/4 J TP	チ	ッ	ブ	抵抗		

*: New Parts

RANK: Japan only

SUM and USB

REF NO.	PART NO.	DESCRIPTION		部 品 名	REMARKS	QTY	RANK
R805	RD358100	CHIP RESISTOR 1/16W	100.0K 63M J RECT.	チ ッ プ 抵 抗			
-807	RD358100	CHIP RESISTOR 1/16W	100.0K 63M J RECT.	チ ッ プ 抵 抗			
R808	RD155470	RES CARBON FILM CHIP	470.0 1/4 J TP	チ ッ プ 抵 抗			
-811	RD155470	RES CARBON FILM CHIP	470.0 1/4 J TP	チ ッ プ 抵 抗			
	WG336000	CIRCUIT BOARD	USB	U S B シ ー ト	(WG33610)(X7196C0)		
C101	US065100	CERAMIC CAPACITOR-F (CHIP)	0.100 50V Z RECT.	チ ッ プ セ ラ F			
C104	US065100	CERAMIC CAPACITOR-F (CHIP)	0.100 50V Z RECT.	チ ッ プ セ ラ F			
C108	UF037100	ELECTROLYTIC CAPACITOR (CHIP)	10 16V	チ ッ プ ケ ミ コ ン			
C109	UF037100	ELECTROLYTIC CAPACITOR (CHIP)	10 16V	チ ッ プ ケ ミ コ ン			
C110	UF06610R	ELECTROLYTIC CAPACITOR (CHIP)	1 50V	チ ッ プ ケ ミ コ ン			
C111	US063680	CERAMIC CAPACITOR-B (CHIP)	6800P 50V K RECT.	チ ッ プ セ ラ (B)			
C112	US063680	CERAMIC CAPACITOR-B (CHIP)	6800P 50V K RECT.	チ ッ プ セ ラ (B)			
C113	US064100	CERAMIC CAPACITOR-B (CHIP)	0.0100 50V K RECT.	チ ッ プ セ ラ (B)			
C114	US064100	CERAMIC CAPACITOR-B (CHIP)	0.0100 50V K RECT.	チ ッ プ セ ラ (B)			
C115	US063150	CERAMIC CAPACITOR-B (CHIP)	1500P 50V K RECT.	チ ッ プ セ ラ (B)			
C116	US063150	CERAMIC CAPACITOR-B (CHIP)	1500P 50V K RECT.	チ ッ プ セ ラ (B)			
C117	UF01747R	ELECTROLYTIC CAPACITOR (CHIP)	47 6.3V	チ ッ プ ケ ミ コ ン			01
C118	US064100	CERAMIC CAPACITOR-B (CHIP)	0.0100 50V K RECT.	チ ッ プ セ ラ (B)			
C119	US064100	CERAMIC CAPACITOR-B (CHIP)	0.0100 50V K RECT.	チ ッ プ セ ラ (B)			
C121	UF037100	ELECTROLYTIC CAPACITOR (CHIP)	10 16V	チ ッ プ ケ ミ コ ン			
C122	UF037100	ELECTROLYTIC CAPACITOR (CHIP)	10 16V	チ ッ プ ケ ミ コ ン			
C125	UF037100	ELECTROLYTIC CAPACITOR (CHIP)	10 16V	チ ッ プ ケ ミ コ ン			
C126	US126100	CERAMIC CAPACITOR-F (CHIP)	1.0000 10V Z RECT.	チ ッ プ セ ラ F			01
C128	US126100	CERAMIC CAPACITOR-F (CHIP)	1.0000 10V Z RECT.	チ ッ プ セ ラ F			01
C130	US126100	CERAMIC CAPACITOR-F (CHIP)	1.0000 10V Z RECT.	チ ッ プ セ ラ F			01
C132	US126100	CERAMIC CAPACITOR-F (CHIP)	1.0000 10V Z RECT.	チ ッ プ セ ラ F			01
C134	UF037100	ELECTROLYTIC CAPACITOR (CHIP)	10 16V	チ ッ プ ケ ミ コ ン			
C135	UF037100	ELECTROLYTIC CAPACITOR (CHIP)	10 16V	チ ッ プ ケ ミ コ ン			
C137	US063150	CERAMIC CAPACITOR-B (CHIP)	1500P 50V K RECT.	チ ッ プ セ ラ (B)			
C138	US063150	CERAMIC CAPACITOR-B (CHIP)	1500P 50V K RECT.	チ ッ プ セ ラ (B)			
C139	US061180	CERAMIC CAPACITOR-CH (CHIP)	18P 50V J RECT.	チ ッ プ セ ラ (C H)			
C140	US061180	CERAMIC CAPACITOR-CH (CHIP)	18P 50V J RECT.	チ ッ プ セ ラ (C H)			
C141	US06168R	CERAMIC CAPACITOR-SL (CHIP)	68P 50V J RECT.	チ ッ プ セ ラ (S L)			01
C142	US06168R	CERAMIC CAPACITOR-SL (CHIP)	68P 50V J RECT.	チ ッ プ セ ラ (S L)			01
C143	UF037100	ELECTROLYTIC CAPACITOR (CHIP)	10 16V	チ ッ プ ケ ミ コ ン			
C144	UF037100	ELECTROLYTIC CAPACITOR (CHIP)	10 16V	チ ッ プ ケ ミ コ ン			
C150	US126100	CERAMIC CAPACITOR-F (CHIP)	1.0000 10V Z RECT.	チ ッ プ セ ラ F			01
CN101	VB85880R	CONNECTOR BASE POST, SIDE	PH 9P SE	ベ ー ス ポ ス ト			01
D101	VT332900	DIODE	1SS355 TE-17 TP	ダ イ オ ー ド			
IC101	X7143A00	IC	PCM2900E/2K	I	C		
IC102	X7256A00	IC	BA00CC0WFP-E2	I	C	USB PROTOCOL CONTROLLER	
IC103	X3505A00	IC	NJM2068M-D(TE2)	I	C	REGULATOR +3V TO +15V	
IC104	X3505A00	IC	NJM2068M-D(TE2)	I	C	OP AMP	
JK101	V6802600	USB JACK	USB 4P SE	U S B ジ ャ ッ ク			02
R106	RD357100	CHIP RESISTOR 1/16W	10.0K 63M J RECT.	チ ッ プ 抵 抗			01
R107	RD357100	CHIP RESISTOR 1/16W	10.0K 63M J RECT.	チ ッ プ 抵 抗			01
R108	RD356560	CHIP RESISTOR 1/16W	5.6K 63M J RECT.	チ ッ プ 抵 抗			
R109	RD356560	CHIP RESISTOR 1/16W	5.6K 63M J RECT.	チ ッ プ 抵 抗			
R110	RD356100	CHIP RESISTOR 1/16W	1.0K 63M J RECT.	チ ッ プ 抵 抗			01
R111	RD356100	CHIP RESISTOR 1/16W	1.0K 63M J RECT.	チ ッ プ 抵 抗			01
R112	RD35422R	CHIP RESISTOR 1/16W	22.0 63M J RECT.	チ ッ プ 抵 抗			01
R114	RF35712R	CHIP RESISTOR 1/16W	12.0K D 1608	チ ッ プ 抵 抗			01
R115	RF355680	CHIP RESISTOR 1/16W	680.0 D 1608	チ ッ プ 抵 抗			01
R116	RF35662R	CHIP RESISTOR 1/16W	6.2K D 1608	チ ッ プ 抵 抗			
R117	RD356150	CHIP RESISTOR 1/16W	1.5K 63M J RECT.	チ ッ プ 抵 抗			
R118	RD356100	CHIP RESISTOR 1/16W	1.0K 63M J RECT.	チ ッ プ 抵 抗			01
R119	RD356100	CHIP RESISTOR 1/16W	1.0K 63M J RECT.	チ ッ プ 抵 抗			01
R120	RD35422R	CHIP RESISTOR 1/16W	22.0 63M J RECT.	チ ッ プ 抵 抗			01
R131	RD357100	CHIP RESISTOR 1/16W	10.0K 63M J RECT.	チ ッ プ 抵 抗			01
R132	RD357100	CHIP RESISTOR 1/16W	10.0K 63M J RECT.	チ ッ プ 抵 抗			01
R133	RD356100	CHIP RESISTOR 1/16W	1.0K 63M J RECT.	チ ッ プ 抵 抗			01
R134	RD356560	CHIP RESISTOR 1/16W	5.6K 63M J RECT.	チ ッ プ 抵 抗			
R135	RD356560	CHIP RESISTOR 1/16W	5.6K 63M J RECT.	チ ッ プ 抵 抗			
R136	RD359100	CHIP RESISTOR 1/16W	1.0M 63M J RECT.	チ ッ プ 抵 抗			
R137	RD358100	CHIP RESISTOR 1/16W	100.0K 63M J RECT.	チ ッ プ 抵 抗			
R138	RD358100	CHIP RESISTOR 1/16W	100.0K 63M J RECT.	チ ッ プ 抵 抗			
R142	RD356100	CHIP RESISTOR 1/16W	1.0K 63M J RECT.	チ ッ プ 抵 抗			01
R143	RD356100	CHIP RESISTOR 1/16W	1.0K 63M J RECT.	チ ッ プ 抵 抗			01
X101	WG538400	QUARTZ CRYSTAL UNIT	12MHz SMD-49 CL12PF	水 晶 振 動 子			

*: New Parts

RANK: Japan only

MIXING CONSOLE

IM8-40/IM8-32/IM8-24

CIRCUIT DIAGRAM

■ CONTENTS (目次)

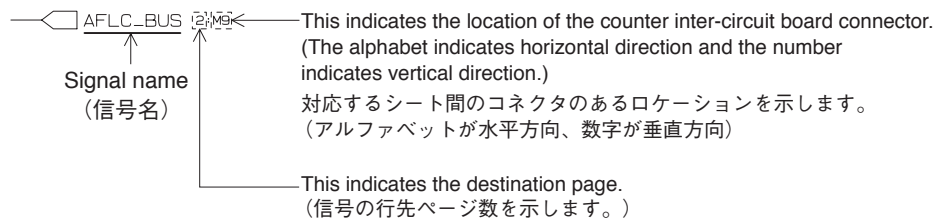
BLOCK DIAGRAM (ブロックダイアグラム)	3
OVERALL CONNECTOR CIRCUIT DIAGRAM (総コネクタ接続回路図) (001-006)	4
CIRCUIT DIAGRAM (回路図)	
BUS1	10
BUS2L	11
BUS2R	11
BUS3	12
BUS4	13
COMP	14
IN1 (001-002)	15
IN2 (001-004)	17
INJK	21
LAMP	10, 11, 12, 13
MAS1 (001-004)	22
MAS2 (001-006)	26
MASJK	32
PHONES	33
ST1	34
ST2 (001-004)	35
STJK	39
SUM (001-003)	40
USB	43

Note: See parts list for details of circuit board component parts.

注：シートの部品詳細はパーツリストをご参照ください。

Notation for Circuit Diagrams (回路図表記上の注意)

1. How to identify inter-circuit board connectors (シート間コネクタの読み方について)



2. Connection of connectors. (コネクタの接続について)

(Example)

to MASJK-CN304

<Page 32: D-2>

Page 32 are the page of a circuit diagram.

(Page 32 は回路図のページです。)


D-2 is indicates the location of the counter inter-circuit board connector.


(The alphabet indicates horizontal direction and the number indicates vertical direction)

D-2 は対応するシート間のコネクタのあるロケーションを示します。

(アルファベットが水平方向、数字が垂直方向)

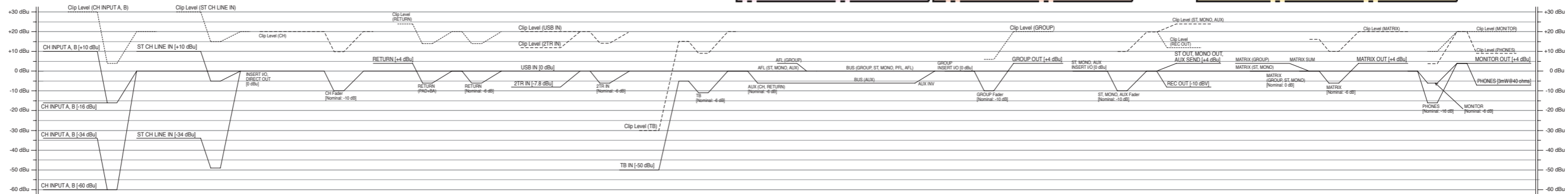
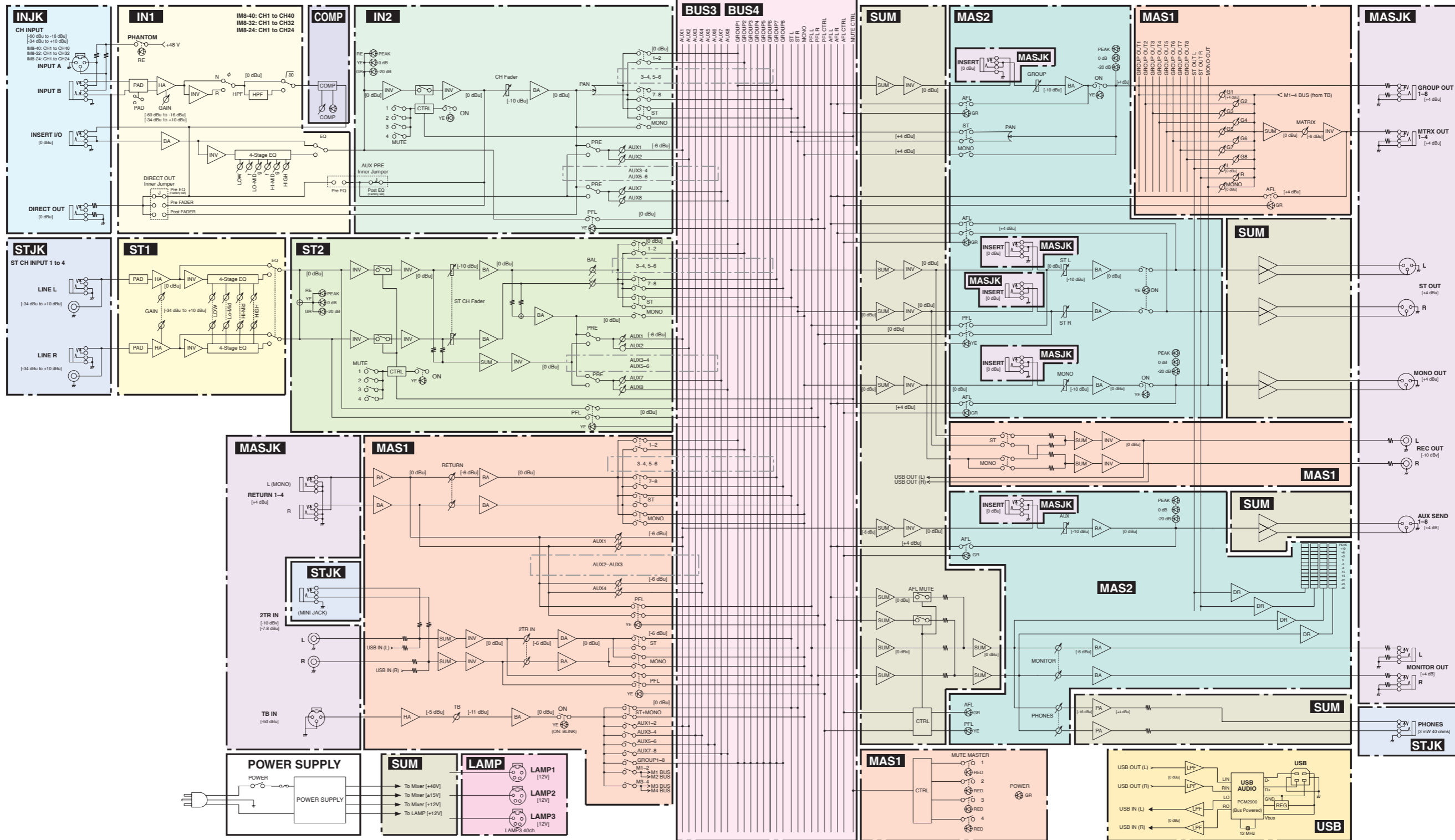
■ WARNING

Components having special characteristics are marked  and must be replaced with parts having specification equal to those originally installed.

 印の部品は、安全を維持するために重要な部品です。交換する場合は、安全のために必ず指定の部品をご使用ください。

BLOCK DIAGRAM (IM8-40/IM8-32/IM8-24)

IM8-40/IM8-32/IM8-24



1

2

3

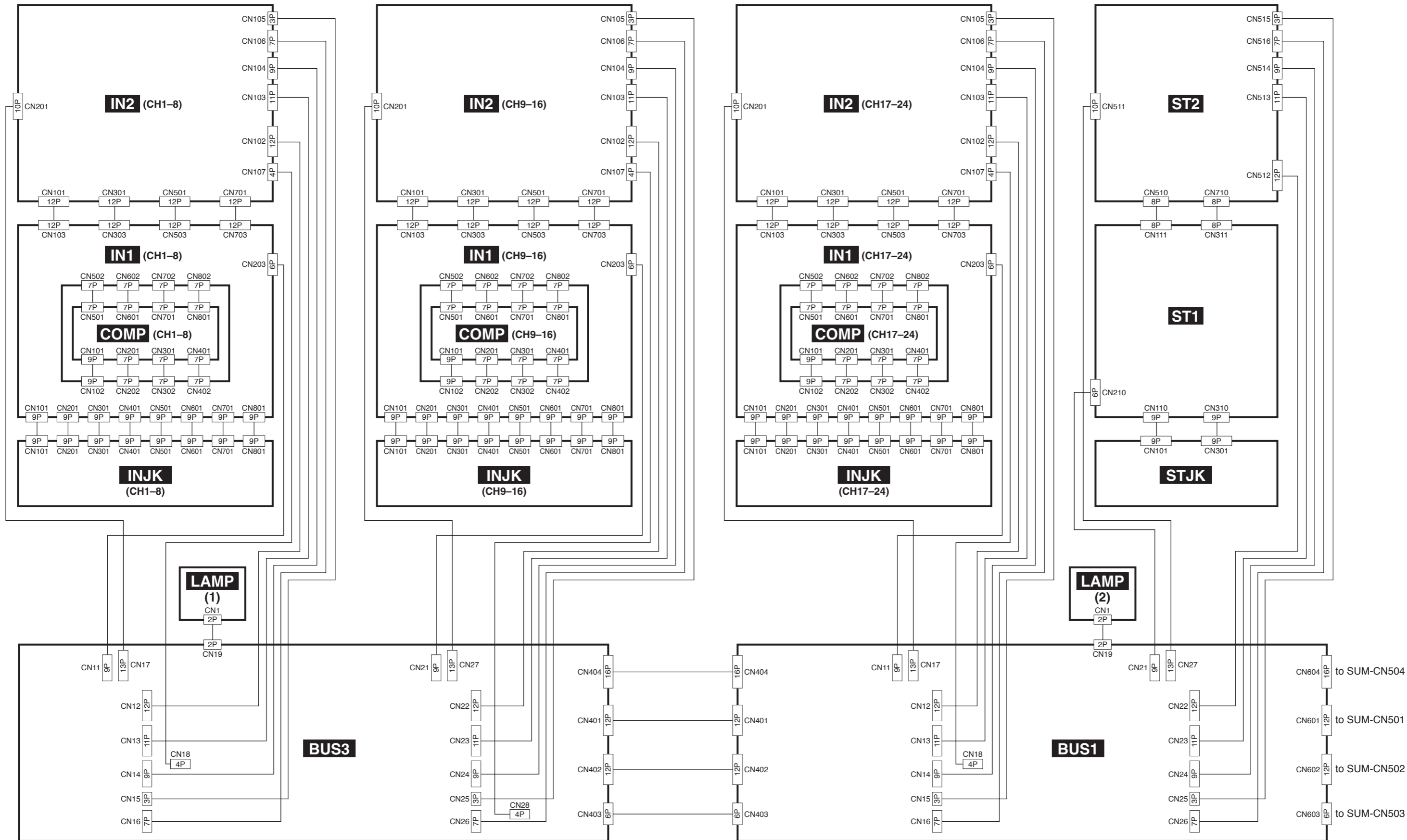
4

5

6

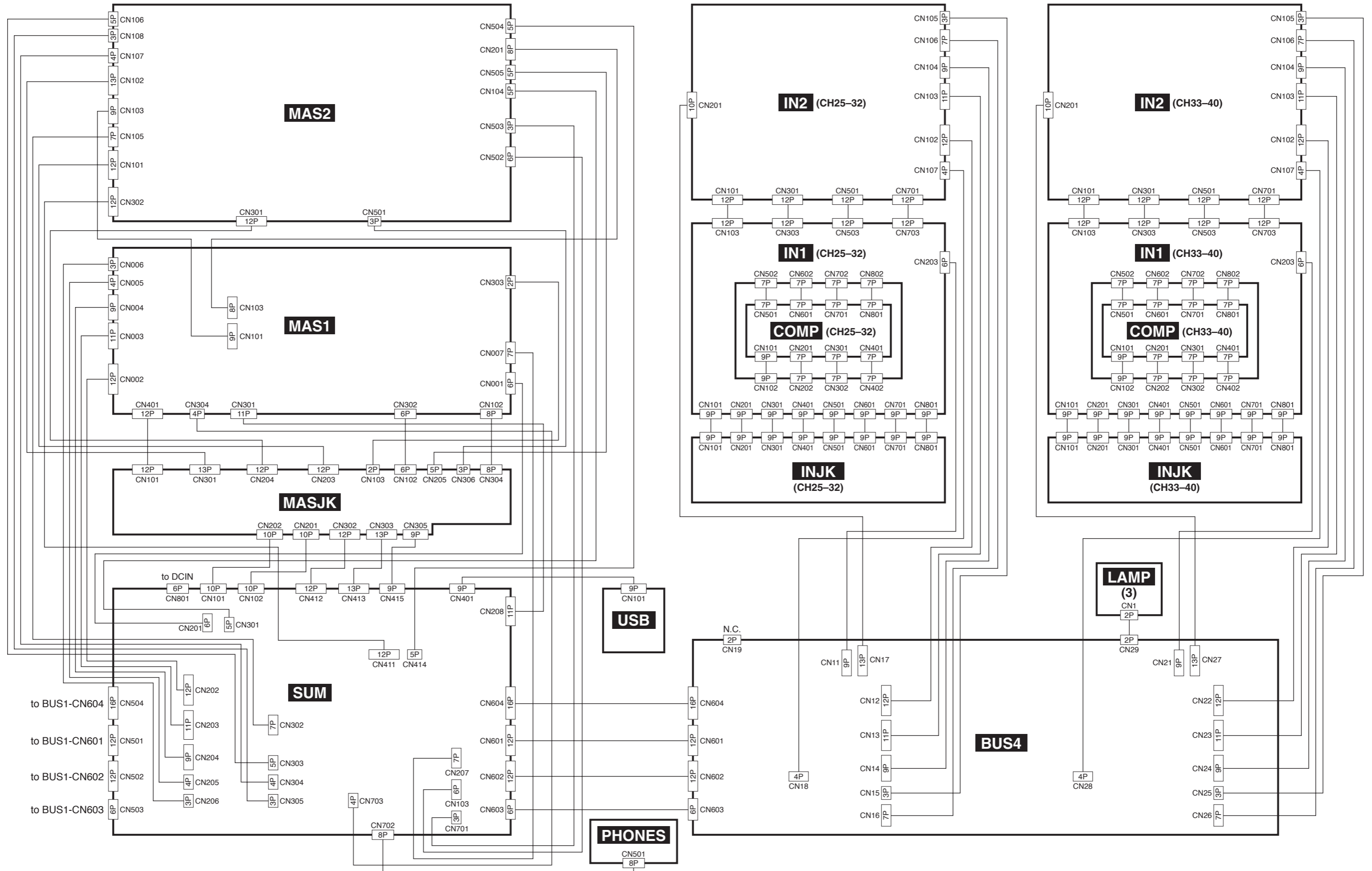
OVERALL CONNECTOR CIRCUIT DIAGRAM 001 (IM8-40)

IM8-40/IM8-32/IM8-24



OVERALL CONNECTOR CIRCUIT DIAGRAM 001 (IM8-40)

OVERALL CONNECTOR CIRCUIT DIAGRAM 002 (IM8-40)



OVERALL CONNECTOR CIRCUIT DIAGRAM 002 (IM8-40)

1

2

3

4

5

6

OVERALL CONNECTOR CIRCUIT DIAGRAM 003 (IM8-32)

IM8-40/IM8-32/IM8-24

1

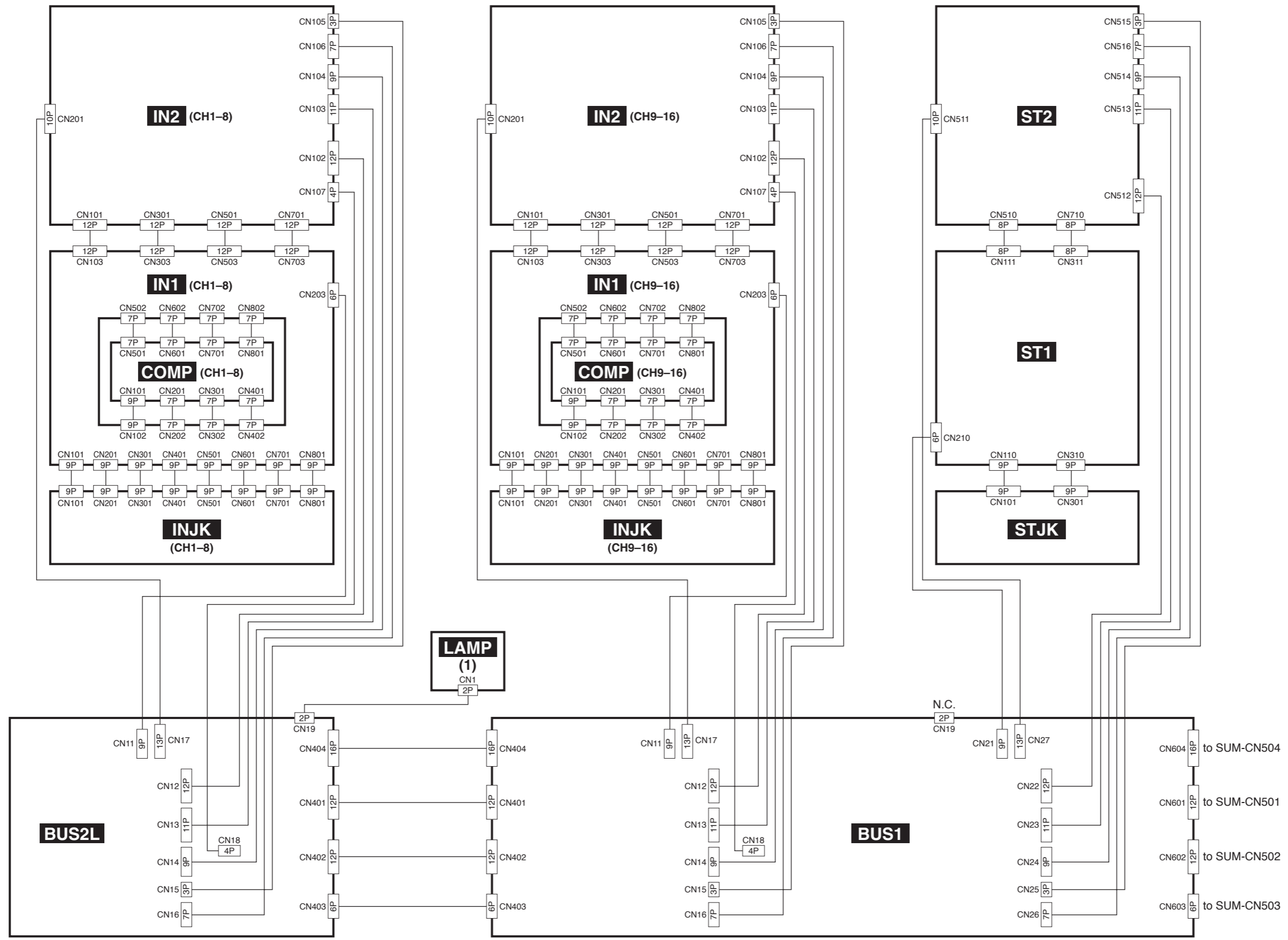
2

3

4

5

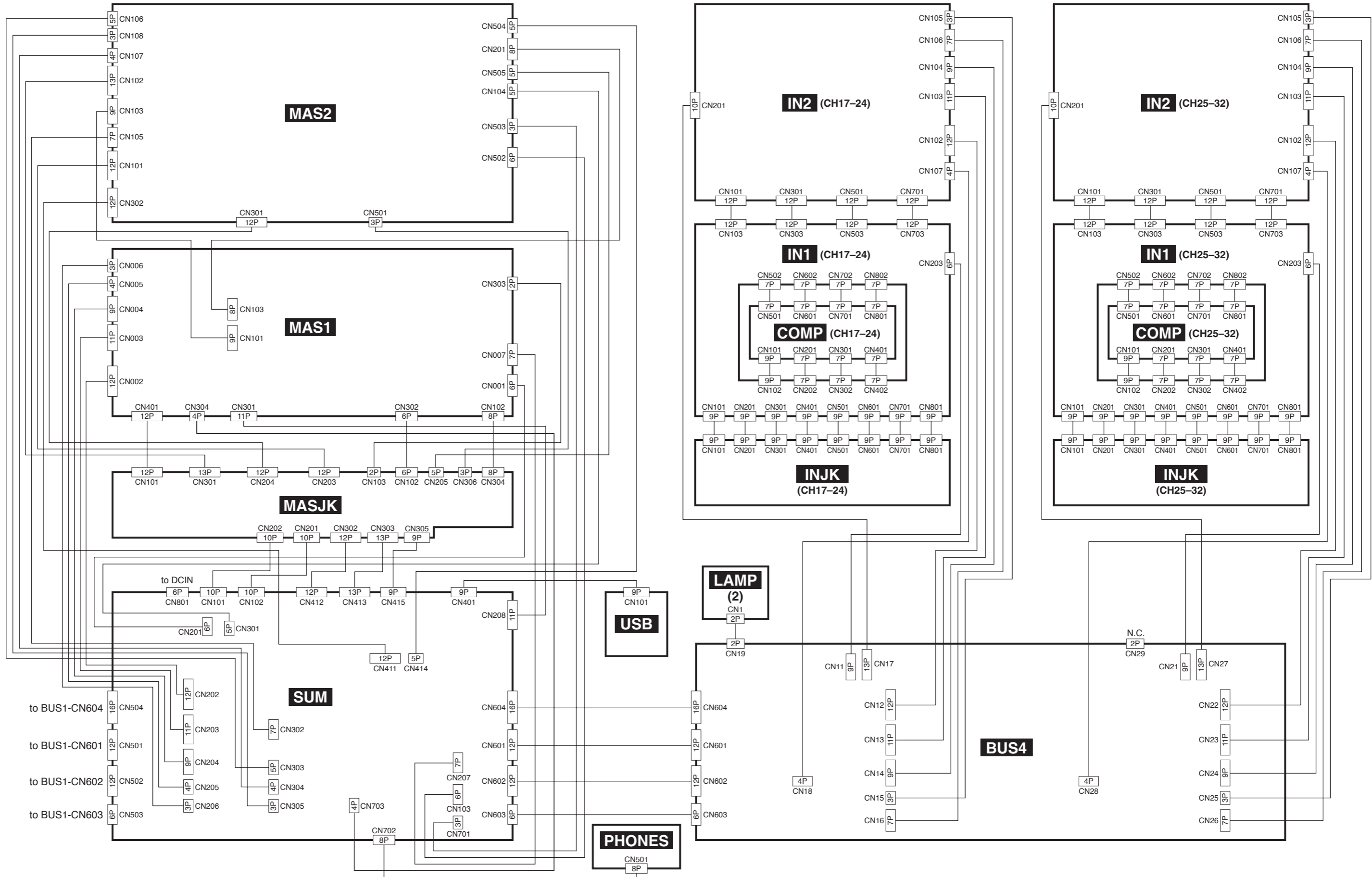
6



OVERALL CONNECTOR CIRCUIT DIAGRAM 003 (IM8-32)

OVERALL CONNECTOR CIRCUIT DIAGRAM 004 (IM8-32)

IM8-40/IM8-32/IM8-24



1

2

3

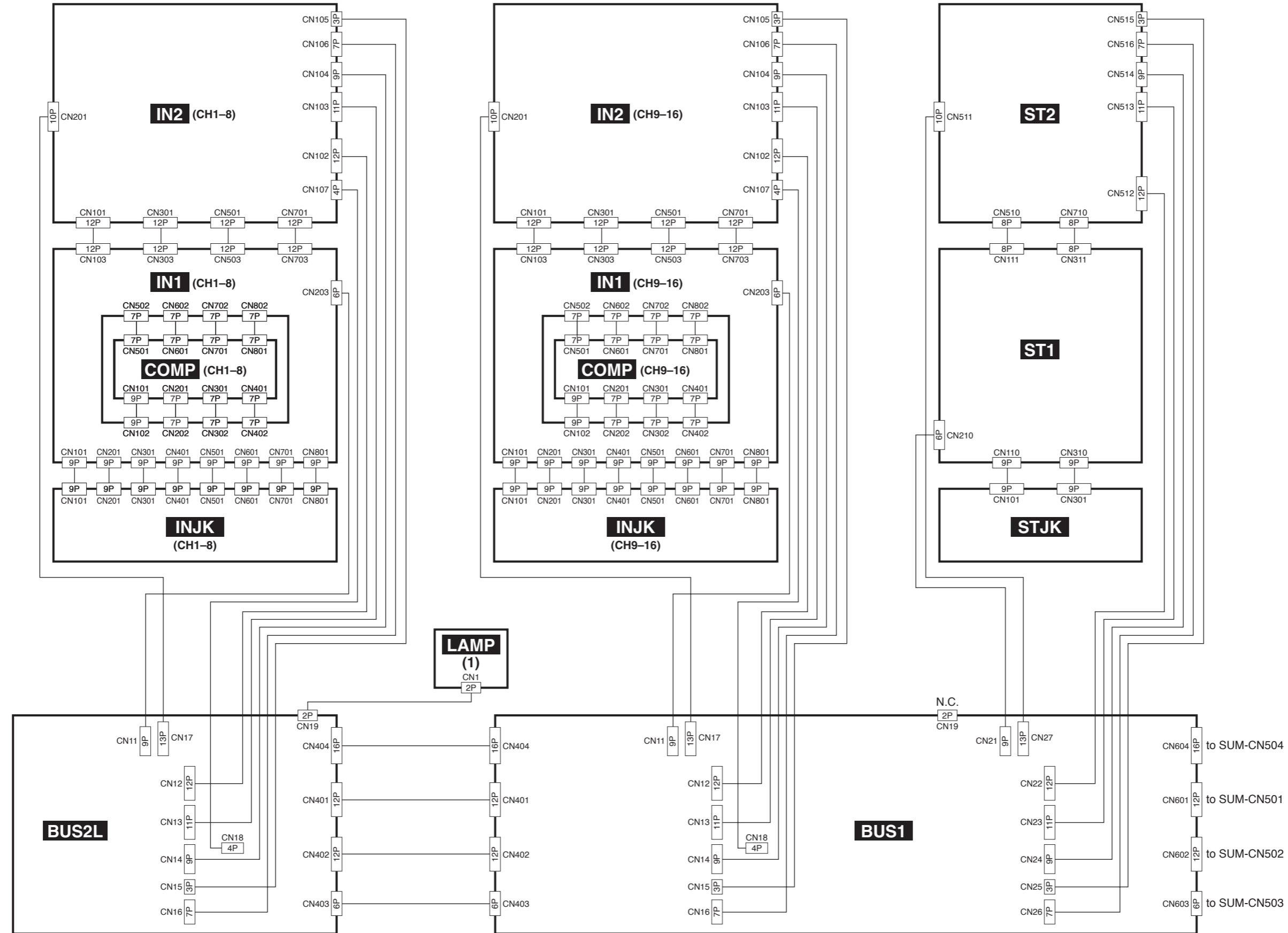
4

5

OVERALL CONNECTOR CIRCUIT DIAGRAM 004 (IM8-32)

OVERALL CONNECTOR CIRCUIT DIAGRAM 005 (IM8-24)

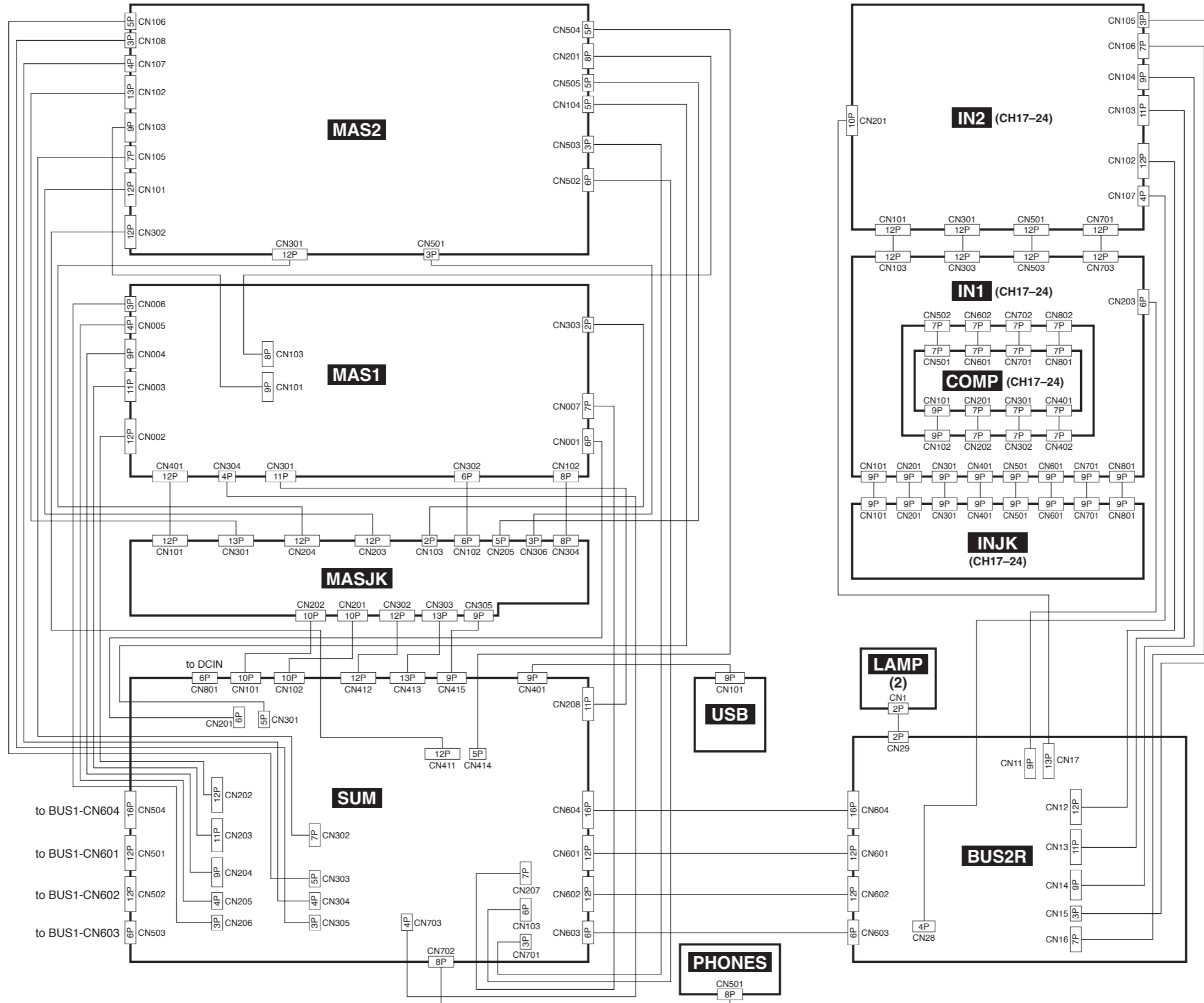
IM8-40/IM8-32/IM8-24



OVERALL CONNECTOR CIRCUIT DIAGRAM 005 (IM8-24)

OVERALL CONNECTOR CIRCUIT DIAGRAM 006 (IM8-24)

IM8-40/IM8-32/IM8-24



1

2

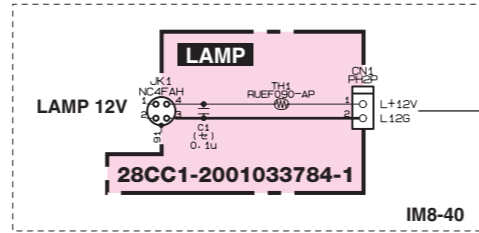
3

4

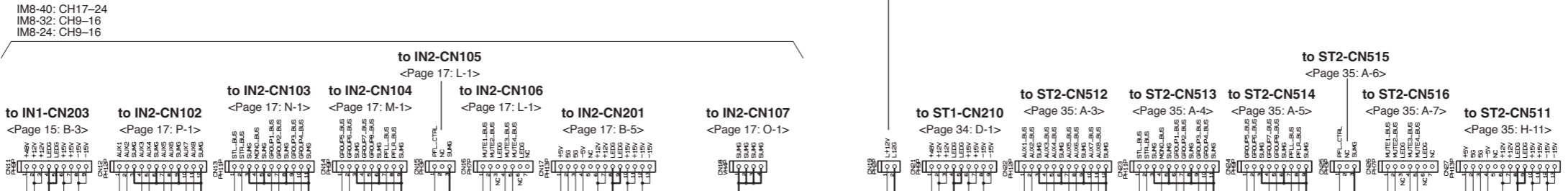
5

BUS1, LAMP CIRCUIT DIAGRAM (IM8-40/IM8-32/IM8-24)

IM8-40/IM8-32/IM8-24



IM8-32: N.C.
IM8-24: N.C.



IM8-40: to BUS3-CN404 <Page 12: A-3>
IM8-32: to BUS2L-CN404 <Page 11: B-3>
IM8-24: to BUS2L-CN404 <Page 11: B-3>

to SUM-CN504 <Page 41: M-9>

IM8-40: to BUS3-CN401 <Page 12: A-3>
IM8-32: to BUS2L-CN401 <Page 11: B-4>
IM8-24: to BUS2L-CN401 <Page 11: B-4>

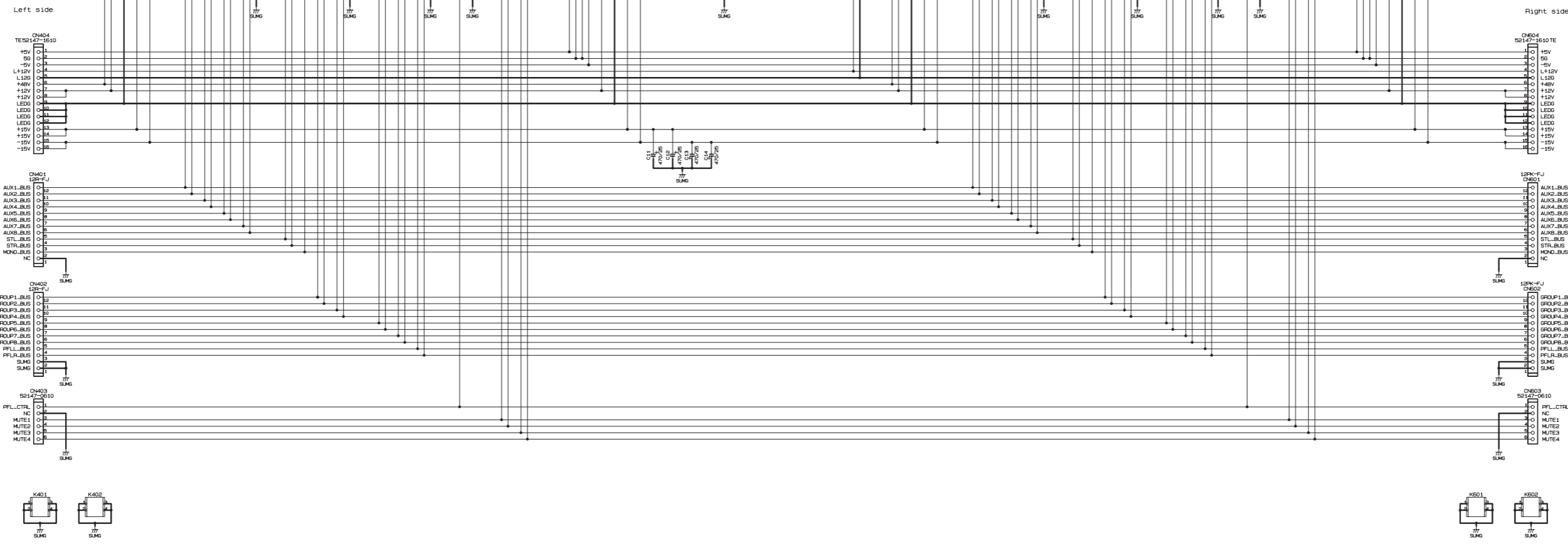
to SUM-CN501 <Page 41: O-9>

IM8-40: to BUS3-CN402 <Page 12: A-4>
IM8-32: to BUS2L-CN402 <Page 11: B-5>
IM8-24: to BUS2L-CN402 <Page 11: B-5>

to SUM-CN502 <Page 41: O-10>

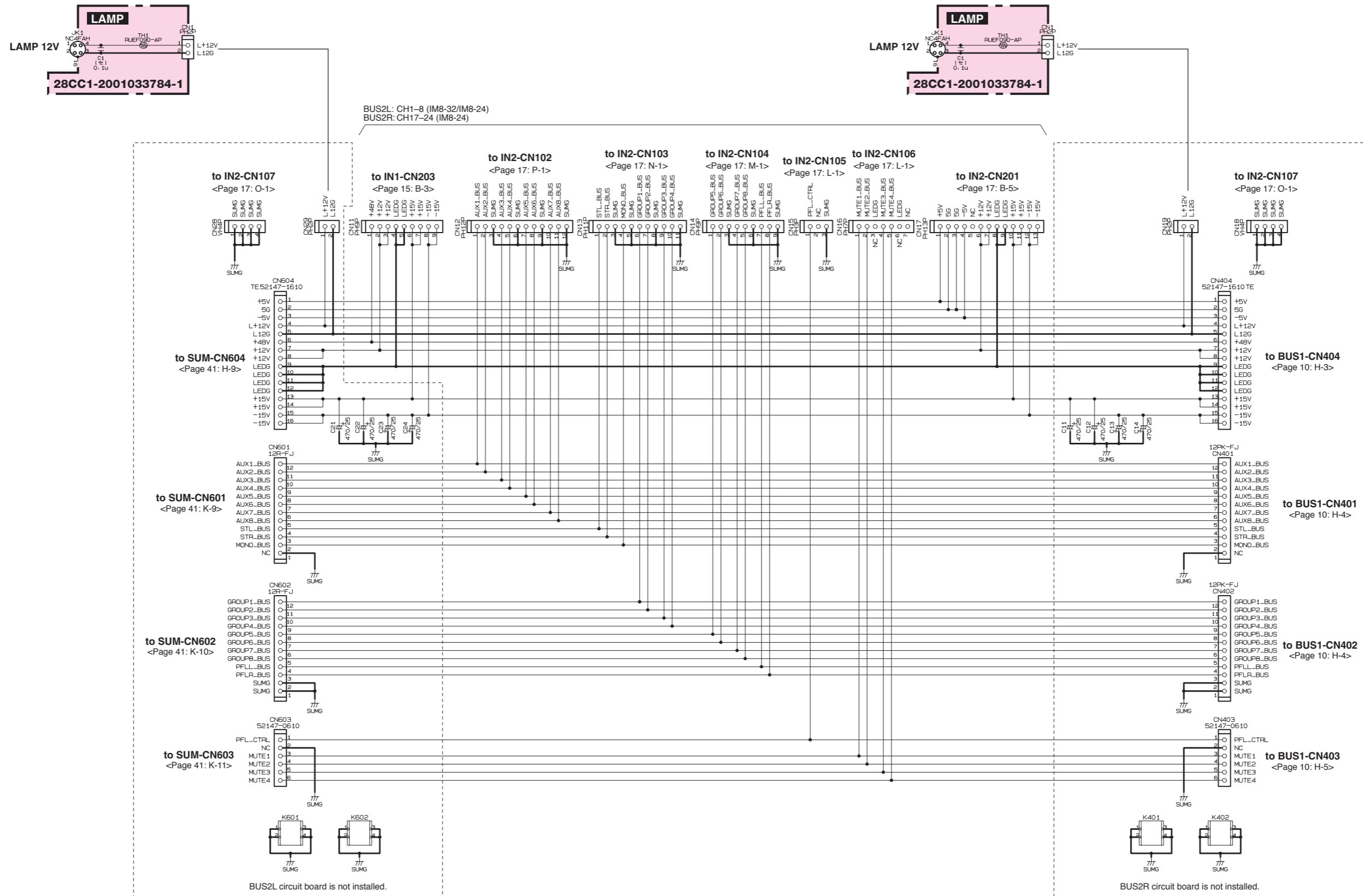
IM8-40: to BUS3-CN403 <Page 12: A-5>
IM8-32: to BUS2L-CN403 <Page 11: B-5>
IM8-24: to BUS2L-CN403 <Page 11: B-5>

to SUM-CN503 <Page 41: O-11>



BUS2L (IM8-32/IM8-24), BUS2R (IM8-24), LAMP CIRCUIT DIAGRAM

IM8-40/IM8-32/IM8-24



BUS3, LAMP CIRCUIT DIAGRAM (IM8-40)

IM8-40/IM8-32/IM8-24

1

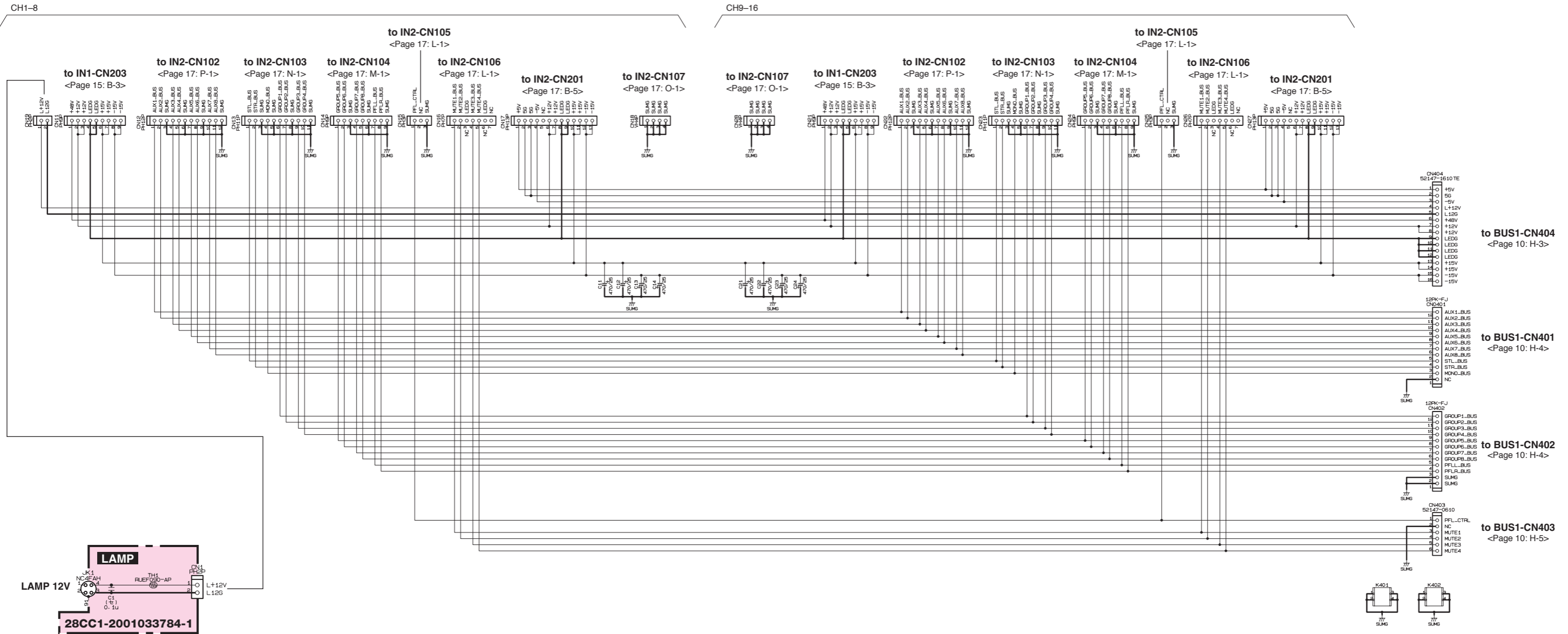
2

3

4

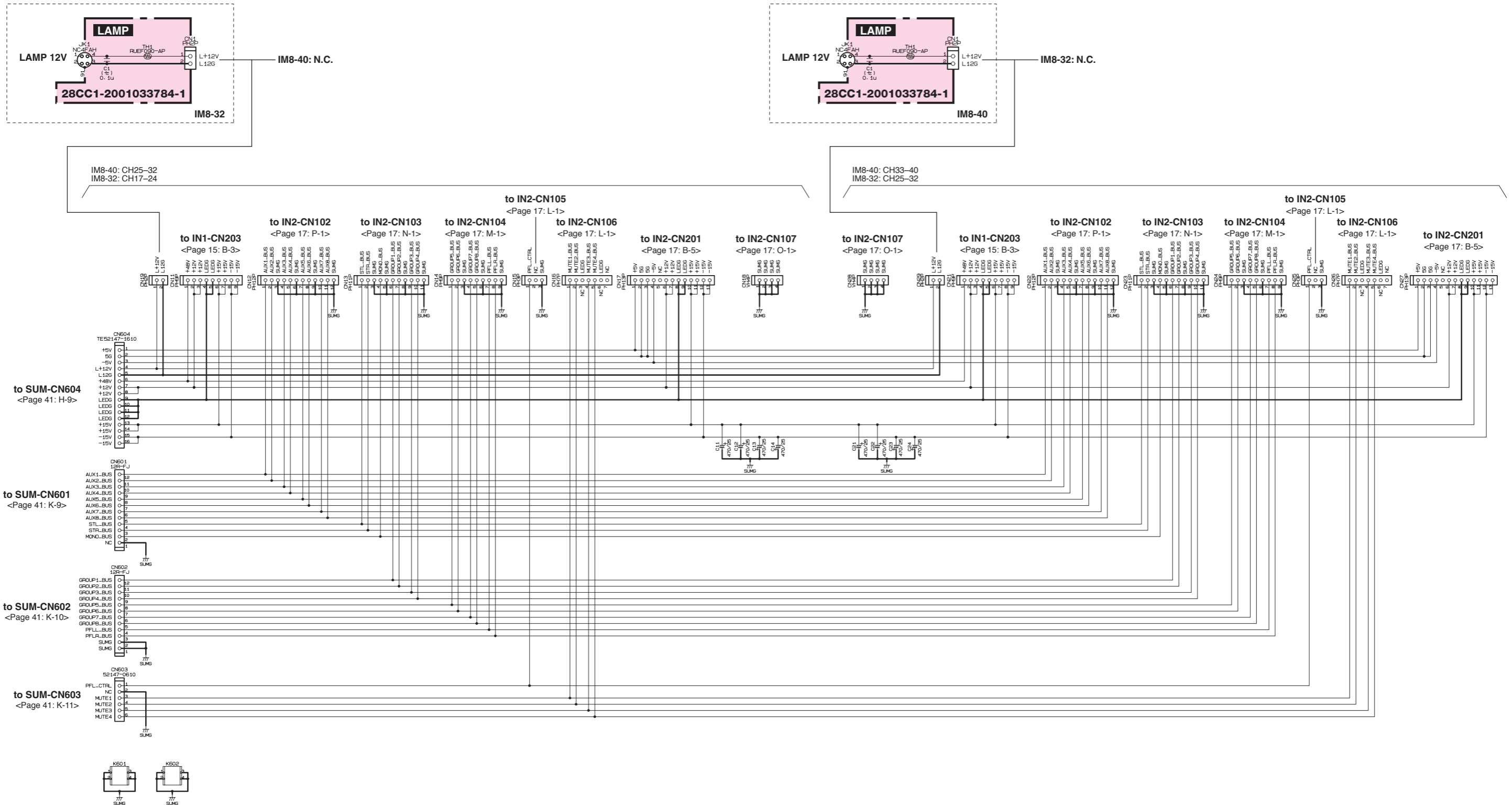
5

6



BUS4, LAMP CIRCUIT DIAGRAM (IM8-40/IM8-32)

IM8-40/IM8-32/IM8-24

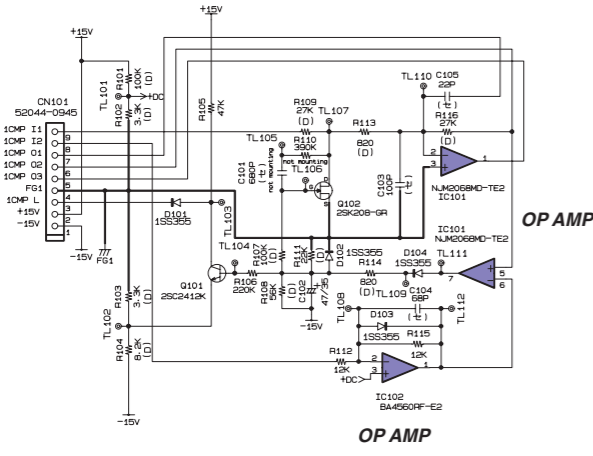


■ COMP CIRCUIT DIAGRAM (IM8-40/IM8-32/IM8-24)

IM8-40/IM8-32/IM8-24

1

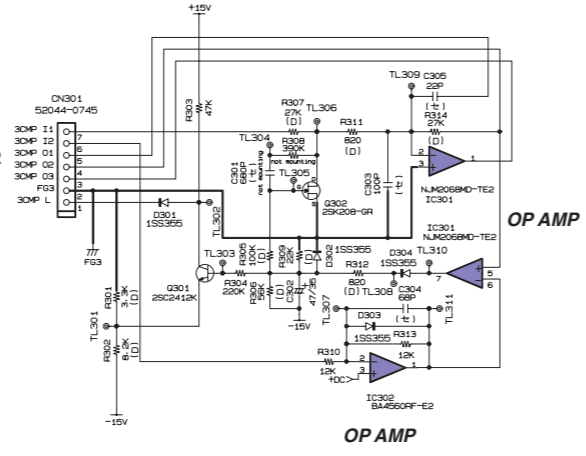
to IN1-CN102
<Page 15: E-1>



OP AMP

OP AMP

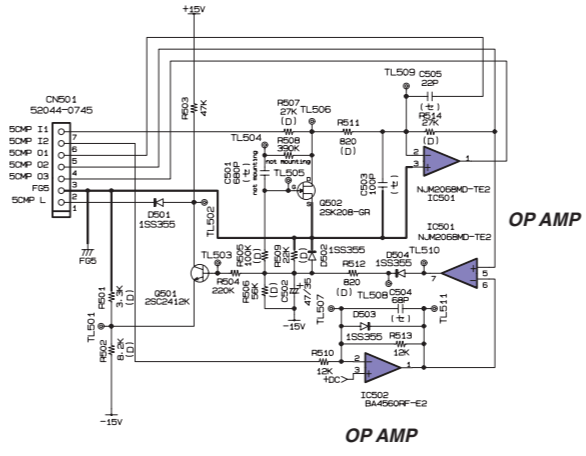
to IN1-CN302
<Page 15: E-4>



OP AMP

OP AMP

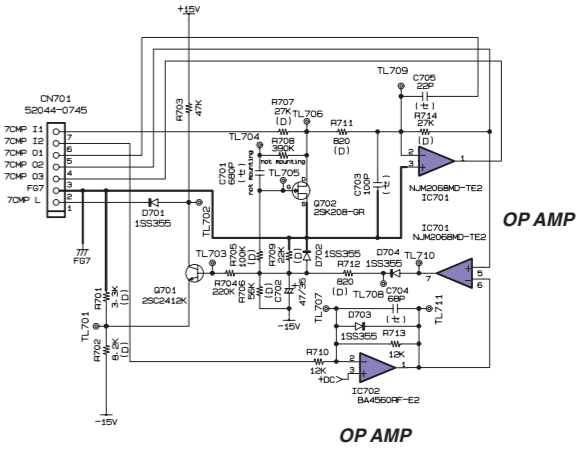
to IN1-CN502
<Page 16: E-1>



OP AMP

OP AMP

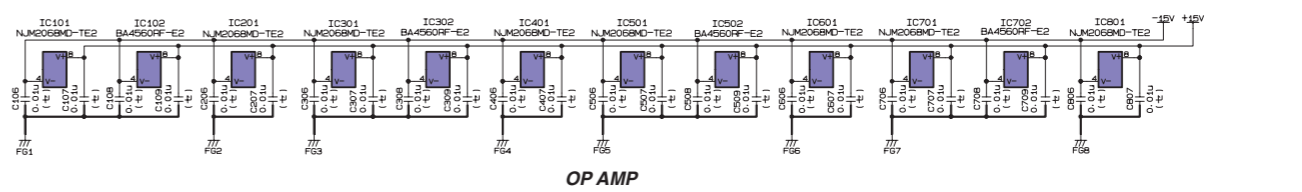
to IN1-CN702
<Page 16: E-4>



OP AMP

OP AMP

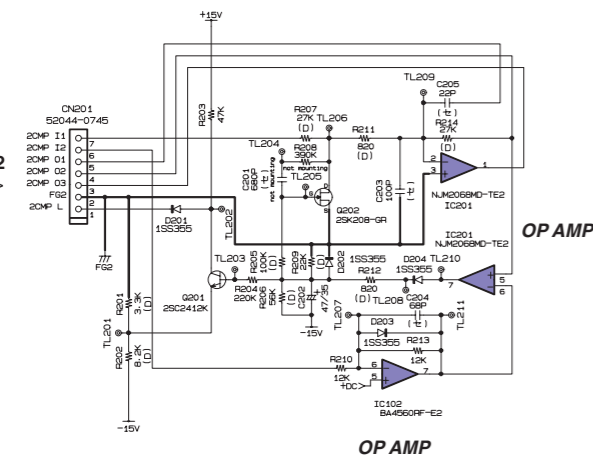
3



OP AMP

4

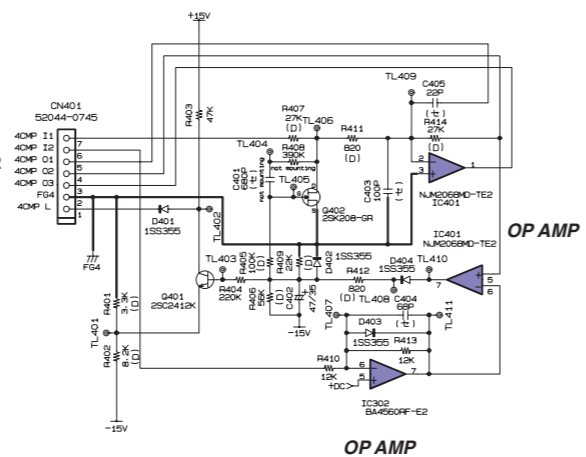
to IN1-CN202
<Page 15: E-2>



OP AMP

OP AMP

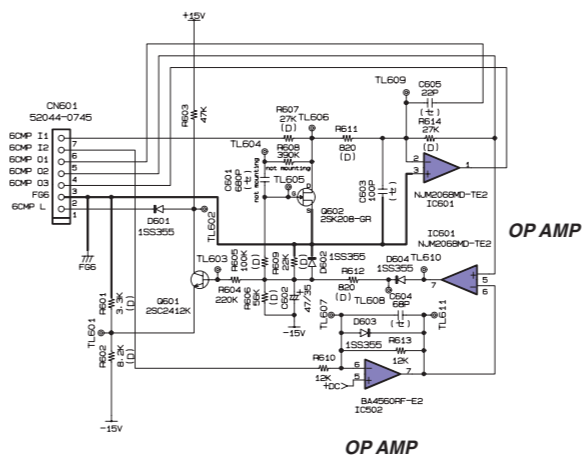
to IN1-CN402
<Page 15: E-5>



OP AMP

OP AMP

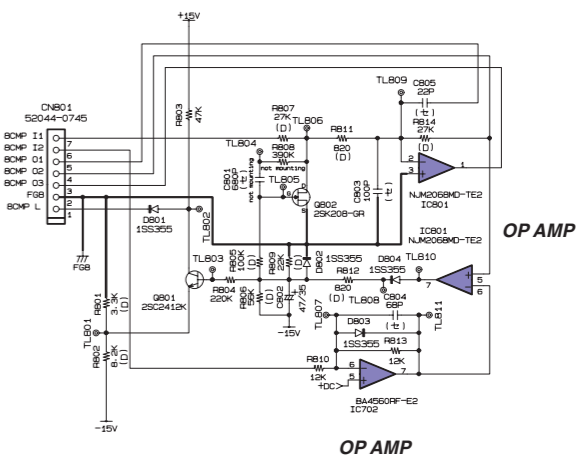
to IN1-CN602
<Page 16: E-2>



OP AMP

OP AMP


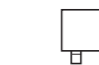
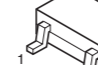
to IN1-CN802
<Page 16: E-5>



OP AMP

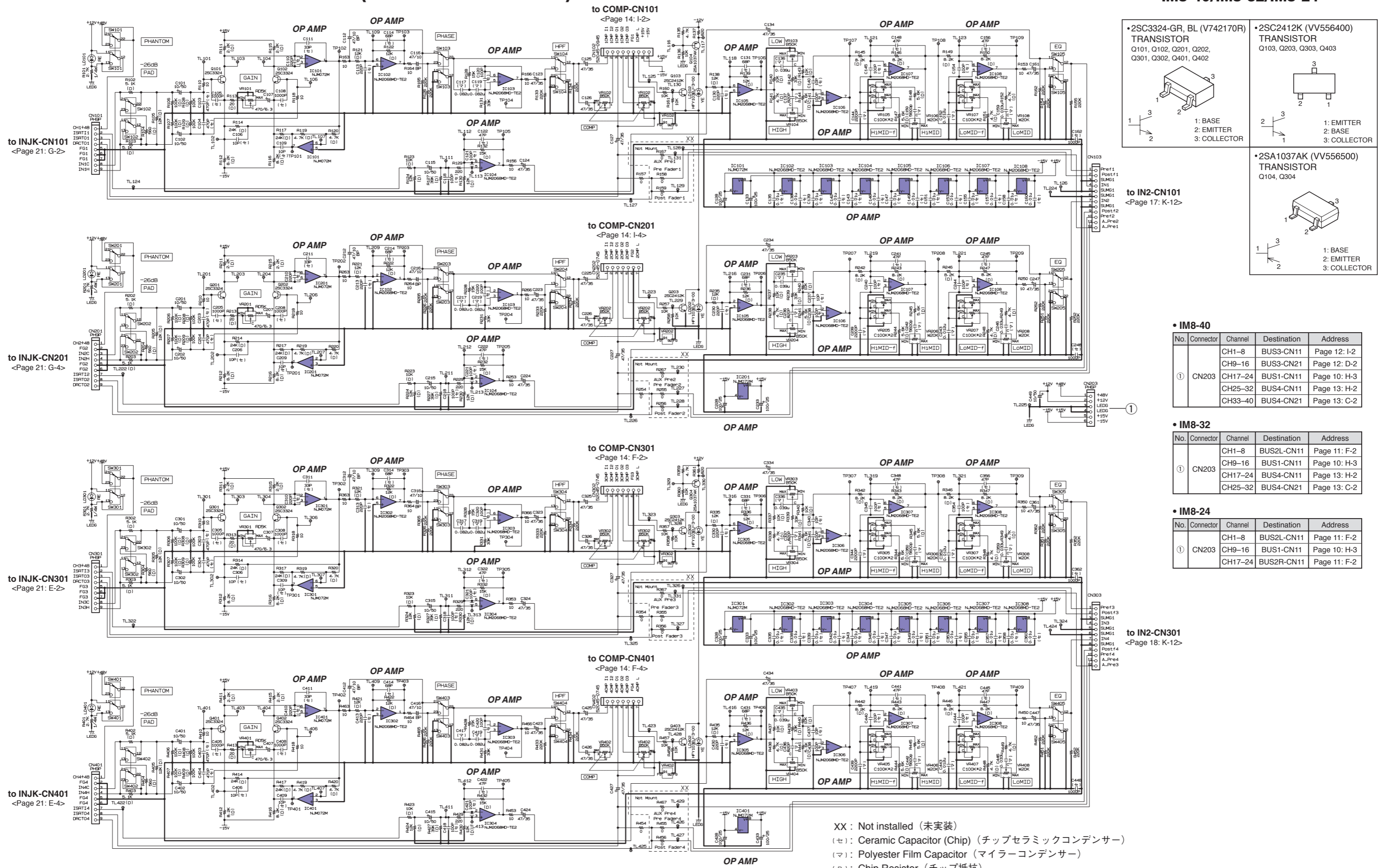
OP AMP

5

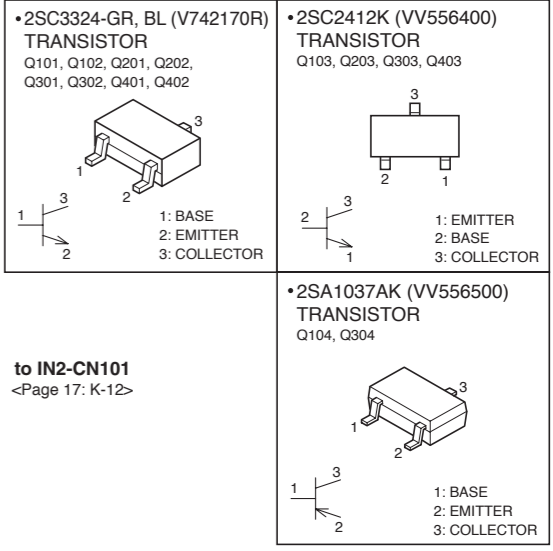
<ul style="list-style-type: none"> • 1SS355 TE-17 (VT332900) DIODE D101-104, D201-204, D301-304, D401-404, D501-504, D601-604, D701-704, D801-804  <p>1: ANODE 2: CATHODE</p>	<ul style="list-style-type: none"> • 2SC2412K (VV556400) TRANSISTOR Q101, Q201, Q301, Q401, Q501, Q601, Q701, Q801  <p>1: EMITTER 2: BASE 3: COLLECTOR</p>	<ul style="list-style-type: none"> • 2SK208-GR (WH249200) FET Q102, Q202, Q302, Q402, Q502, Q602, Q702, Q802  <p>1: SOURCE 2: DRAIN 3: GATE</p>
--	---	--

(ε): Ceramic Capacitor (Chip) (チップセラミックコンデンサー)
(D): Chip Resistor (チップ抵抗)

IN1 CIRCUIT DIAGRAM 001 (IM8-40/IM8-32/IM8-24)



IM8-40/IM8-32/IM8-24



• IM8-40

No.	Connector	Channel	Destination	Address
①	CN203	CH1-8	BUS3-CN11	Page 12: I-2
		CH9-16	BUS3-CN21	Page 12: D-2
		CH17-24	BUS1-CN11	Page 10: H-3
		CH25-32	BUS4-CN11	Page 13: H-2
CH33-40	BUS4-CN21	Page 13: C-2		

• IM8-32

No.	Connector	Channel	Destination	Address
①	CN203	CH1-8	BUS2L-CN11	Page 11: F-2
		CH9-16	BUS1-CN11	Page 10: H-3
		CH17-24	BUS4-CN11	Page 13: H-2
		CH25-32	BUS4-CN21	Page 13: C-2

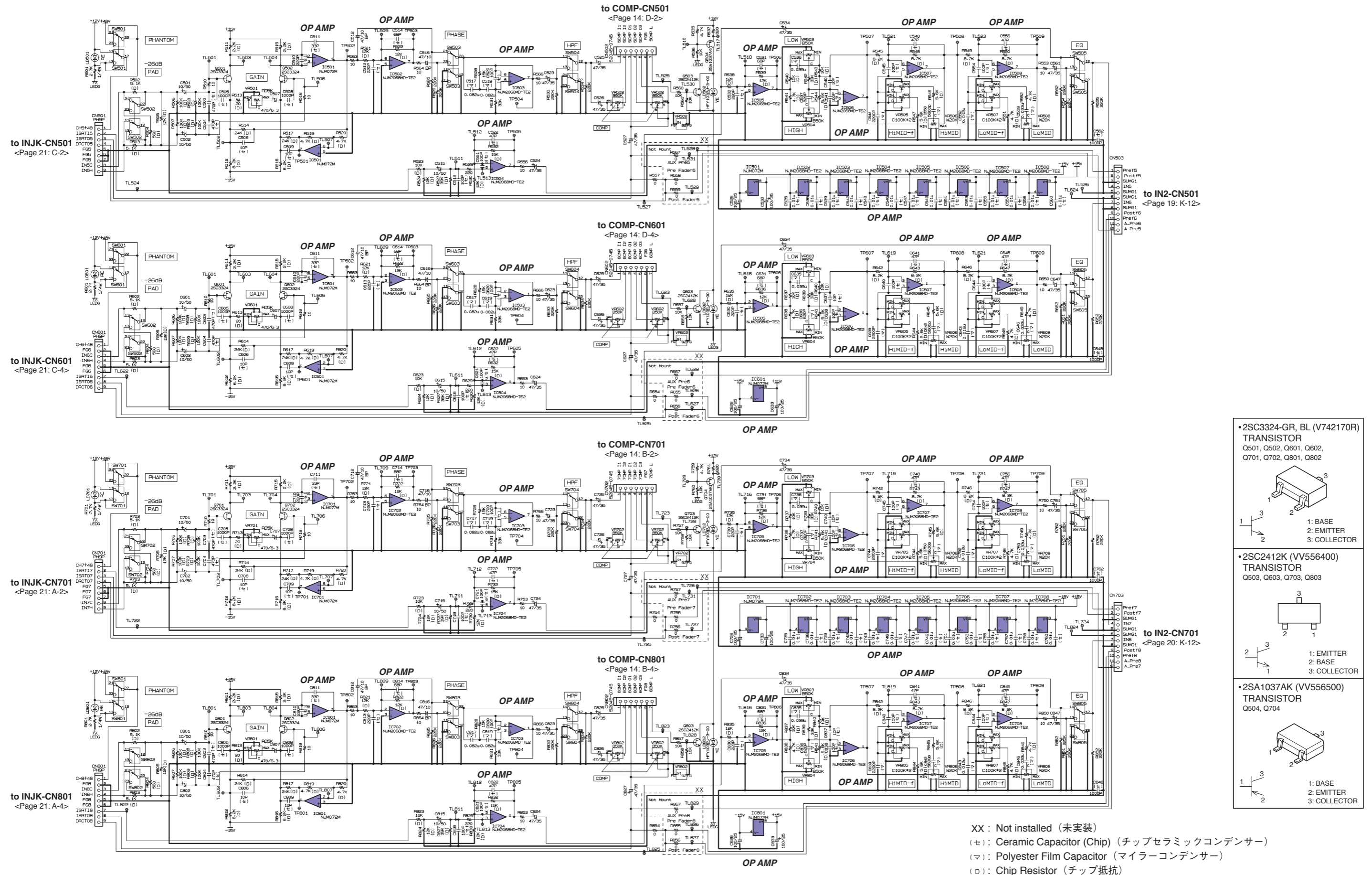
• IM8-24

No.	Connector	Channel	Destination	Address
①	CN203	CH1-8	BUS2L-CN11	Page 11: F-2
		CH9-16	BUS1-CN11	Page 10: H-3
		CH17-24	BUS2R-CN11	Page 11: F-2

XX: Not installed (未実装)
 (セ): Ceramic Capacitor (Chip) (チップセラミックコンデンサー)
 (マ): Polyester Film Capacitor (マイラーコンデンサー)
 (D): Chip Resistor (チップ抵抗)

IN1 CIRCUIT DIAGRAM 002 (IM8-40/IM8-32/IM8-24)

IM8-40/IM8-32/IM8-24



to INJK-CN501 <Page 21: C-2>

to INJK-CN601 <Page 21: C-4>

to INJK-CN701 <Page 21: A-2>

to INJK-CN801 <Page 21: A-4>

to COMP-CN501 <Page 14: D-2>

to COMP-CN601 <Page 14: D-4>

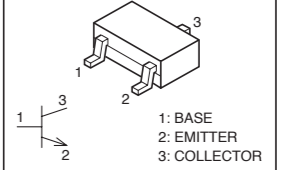
to COMP-CN701 <Page 14: B-2>

to COMP-CN801 <Page 14: B-4>

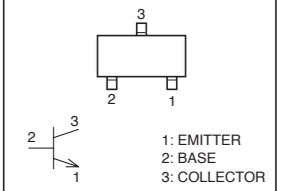
to IN2-CN501 <Page 19: K-12>

to IN2-CN701 <Page 20: K-12>

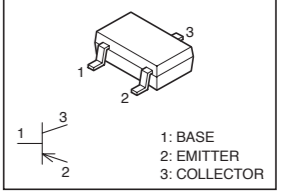
•2SC3324-GR, BL (V742170R) TRANSISTOR Q501, Q502, Q601, Q602, Q701, Q702, Q801, Q802



•2SC2412K (VV556400) TRANSISTOR Q503, Q603, Q703, Q803



•2SA1037AK (VV556500) TRANSISTOR Q504, Q704



XX: Not installed (未実装)
(セ): Ceramic Capacitor (Chip) (チップセラミックコンデンサー)
(マ): Polyester Film Capacitor (マイラーコンデンサー)
(ロ): Chip Resistor (チップ抵抗)

IN2 CIRCUIT DIAGRAM 001 (IM8-40/IM8-32/IM8-24)

IM8-40/IM8-32/IM8-24

• IM8-40

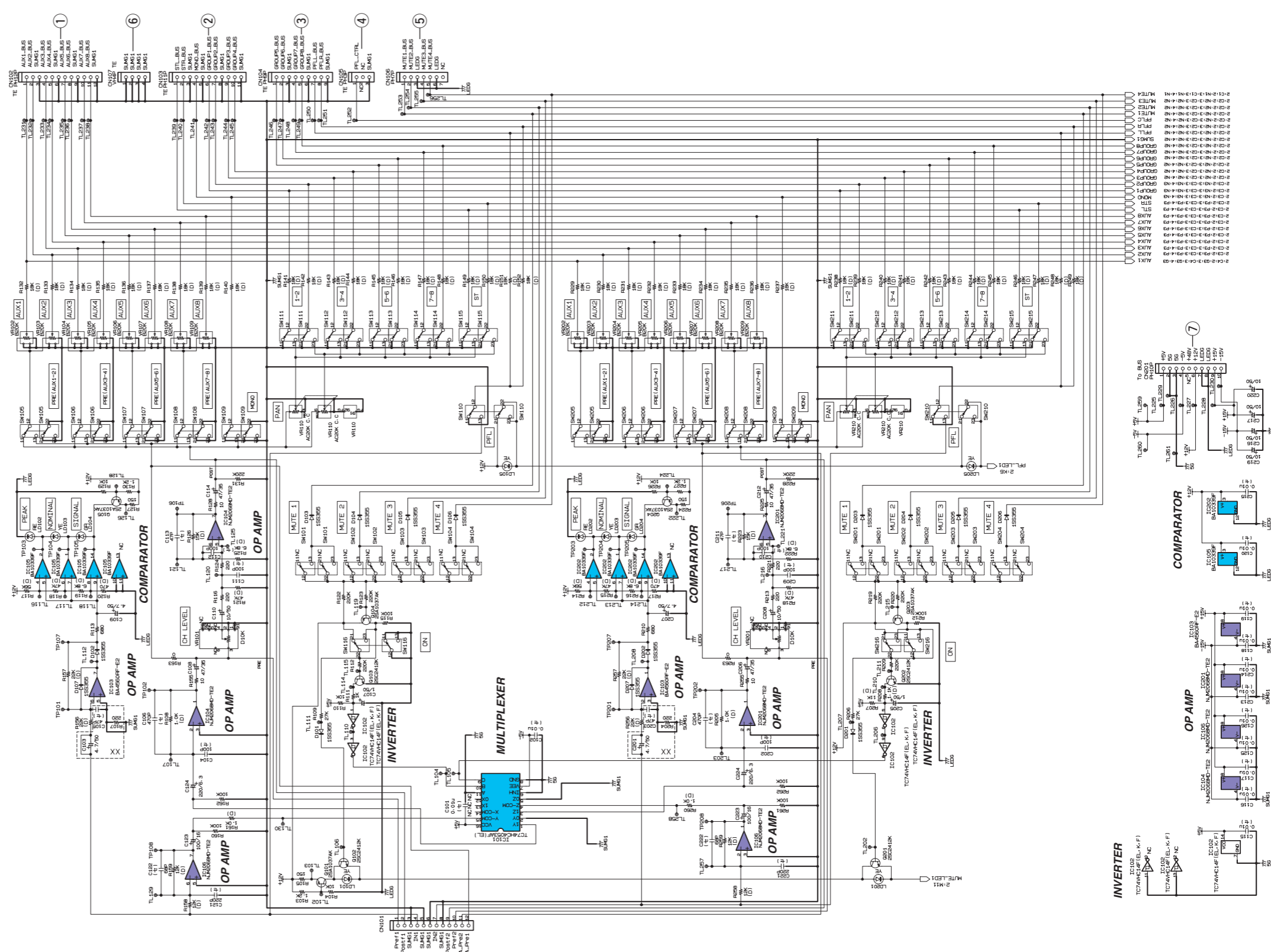
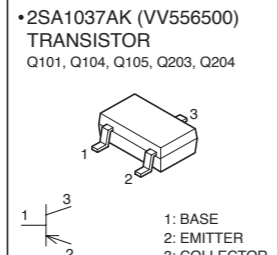
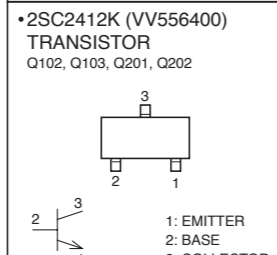
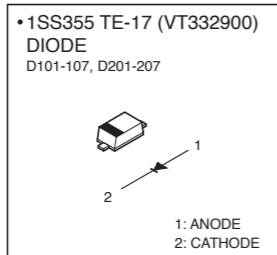
No.	Connector	Channel	Destination	Address
①	CN102	CH1-8	BUS3-CN12	Page 12: H-2
		CH9-16	BUS3-CN22	Page 12: D-2
		CH17-24	BUS1-CN12	Page 10: G-2
		CH25-32	BUS4-CN12	Page 13: G-2
②	CN103	CH1-8	BUS3-CN13	Page 12: H-2
		CH9-16	BUS3-CN23	Page 12: C-2
		CH17-24	BUS1-CN13	Page 10: G-2
		CH25-32	BUS4-CN13	Page 13: G-2
③	CN104	CH1-8	BUS3-CN14	Page 12: G-2
		CH9-16	BUS3-CN24	Page 12: C-2
		CH17-24	BUS1-CN14	Page 10: F-2
		CH25-32	BUS4-CN23	Page 13: B-2
④	CN105	CH1-8	BUS3-CN15	Page 12: G-2
		CH9-16	BUS3-CN25	Page 12: C-2
		CH17-24	BUS1-CN15	Page 10: F-2
		CH25-32	BUS4-CN24	Page 13: B-2
⑤	CN106	CH1-8	BUS3-CN16	Page 12: G-2
		CH9-16	BUS3-CN26	Page 12: B-2
		CH17-24	BUS1-CN16	Page 10: F-2
		CH25-32	BUS4-CN25	Page 13: B-2
⑥	CN107	CH1-8	BUS3-CN18	Page 12: F-2
		CH9-16	BUS3-CN28	Page 12: E-2
		CH17-24	BUS1-CN18	Page 10: E-2
		CH25-32	BUS4-CN28	Page 13: D-2
⑦	CN201	CH1-8	BUS3-CN17	Page 12: F-2
		CH9-16	BUS3-CN27	Page 12: B-2
		CH17-24	BUS1-CN17	Page 10: E-2
		CH25-32	BUS4-CN27	Page 13: A-2

• IM8-24

No.	Connector	Channel	Destination	Address
①	CN102	CH1-8	BUS2L-CN12	Page 11: F-2
		CH9-16	BUS1-CN12	Page 10: G-2
②	CN103	CH1-8	BUS2L-CN13	Page 11: E-2
		CH9-16	BUS1-CN13	Page 10: G-2
③	CN104	CH1-8	BUS2L-CN14	Page 11: E-2
		CH9-16	BUS1-CN14	Page 10: F-2
④	CN105	CH1-8	BUS2L-CN15	Page 11: D-2
		CH9-16	BUS1-CN15	Page 10: F-2
⑤	CN106	CH1-8	BUS2L-CN16	Page 11: D-2
		CH9-16	BUS1-CN16	Page 10: F-2
⑥	CN107	CH1-8	BUS2L-CN18	Page 11: B-2
		CH9-16	BUS1-CN18	Page 10: E-2
⑦	CN201	CH1-8	BUS2L-CN17	Page 11: C-2
		CH9-16	BUS1-CN17	Page 10: E-2

• IM8-32

No.	Connector	Channel	Destination	Address
①	CN102	CH1-8	BUS2L-CN12	Page 11: F-2
		CH9-16	BUS1-CN12	Page 10: G-2
		CH17-24	BUS4-CN12	Page 13: G-2
		CH25-32	BUS4-CN22	Page 13: C-2
②	CN103	CH1-8	BUS2L-CN13	Page 11: E-2
		CH9-16	BUS1-CN13	Page 10: G-2
		CH17-24	BUS4-CN13	Page 13: G-2
		CH25-32	BUS4-CN23	Page 13: B-2
③	CN104	CH1-8	BUS2L-CN14	Page 11: E-2
		CH9-16	BUS1-CN14	Page 10: F-2
		CH17-24	BUS4-CN14	Page 13: F-2
		CH25-32	BUS4-CN24	Page 13: B-2
④	CN105	CH1-8	BUS2L-CN15	Page 11: D-2
		CH9-16	BUS1-CN15	Page 10: F-2
		CH17-24	BUS4-CN15	Page 13: F-2
		CH25-32	BUS4-CN25	Page 13: B-2
⑤	CN106	CH1-8	BUS2L-CN16	Page 11: D-2
		CH9-16	BUS1-CN16	Page 10: F-2
		CH17-24	BUS4-CN16	Page 13: F-2
		CH25-32	BUS4-CN26	Page 13: A-2
⑥	CN107	CH1-8	BUS2L-CN18	Page 11: B-2
		CH9-16	BUS1-CN18	Page 10: E-2
		CH17-24	BUS4-CN18	Page 13: E-2
		CH25-32	BUS4-CN28	Page 13: D-2
⑦	CN201	CH1-8	BUS2L-CN17	Page 11: C-2
		CH9-16	BUS1-CN17	Page 10: E-2
		CH17-24	BUS4-CN17	Page 13: E-2
		CH25-32	BUS4-CN27	Page 13: A-2



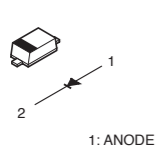
to IN1-CN103
-<Page 15; B-2>

XX : Not installed (未実装)
(セ) : Ceramic Capacitor (セラミックコンデンサー)
(ロ) : Chip Resistor (チップ抵抗)

IN2 CIRCUIT DIAGRAM 002 (IM8-40/IM8-32/IM8-24)

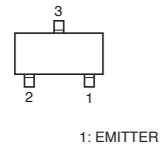
IM8-40/IM8-32/IM8-24

•1SS355 TE-17 (VT332900)
DIODE
D301-307, D401-408



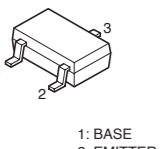
1: ANODE
2: CATHODE

•2SC2412K (VV556400)
TRANSISTOR
Q301, Q302, Q401, Q402, Q405

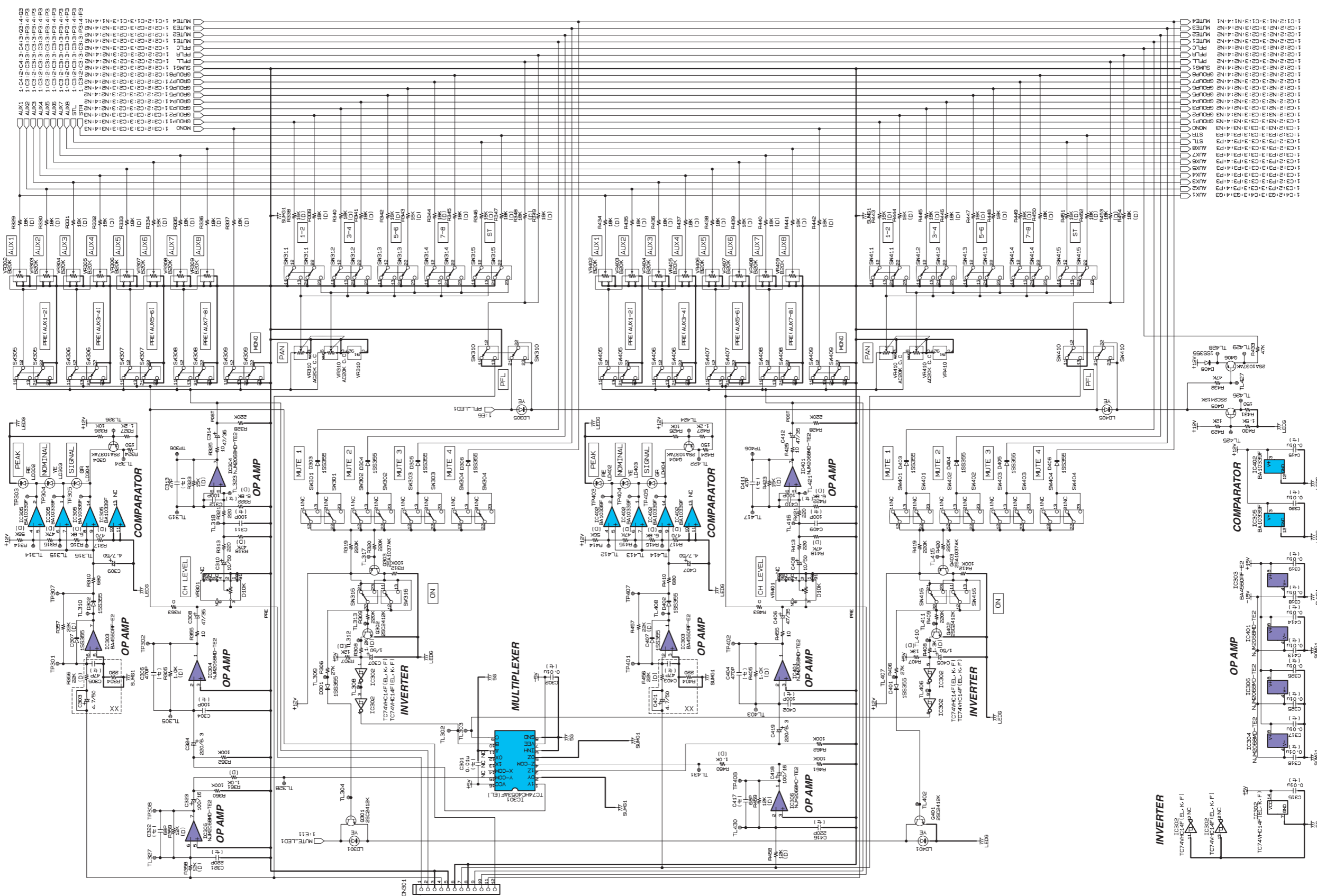


1: EMITTER
2: BASE
3: COLLECTOR

•2SA1037AK (VV556500)
TRANSISTOR
Q303, Q304, Q403, Q404, Q406



1: BASE
2: EMITTER
3: COLLECTOR



to IN1-CN303
<Page 15: B-5>

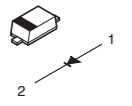
XX : Not installed (未実装)
(C) : Ceramic Capacitor (セラミックコンデンサー)
(D) : Chip Resistor (チップ抵抗)

IN2 CIRCUIT DIAGRAM 002 (IM8-40/IM8-32/IM8-24)

IN2 CIRCUIT DIAGRAM 003 (IM8-40/IM8-32/IM8-24)

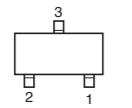
IM8-40/IM8-32/IM8-24

•1SS355 TE-17 (VT332900)
DIODE
D501-507, D601-607



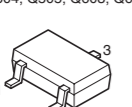
1: ANODE
2: CATHODE

•2SC2412K (VV556400)
TRANSISTOR
Q502, Q503, Q601, Q602

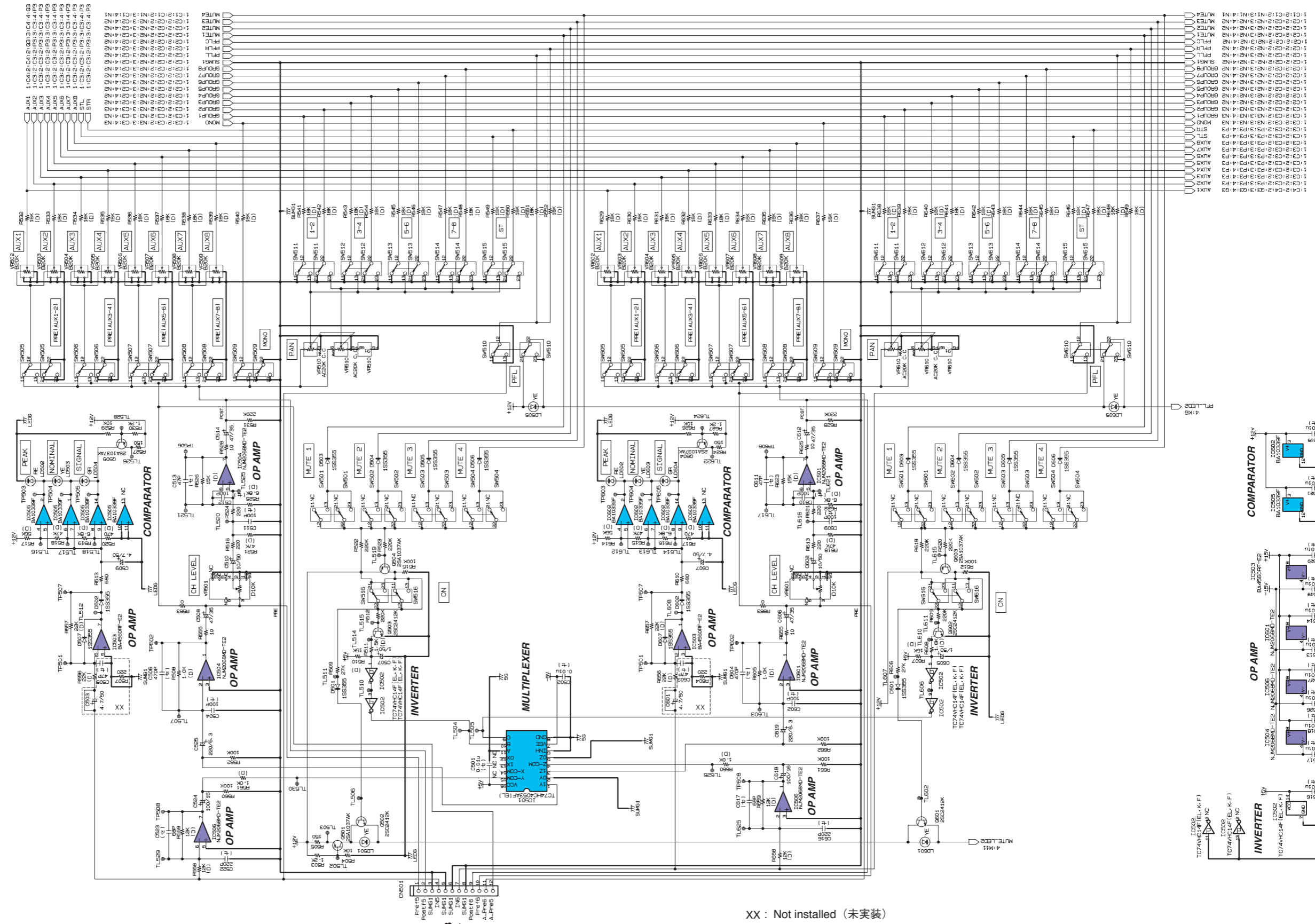


1: EMITTER
2: BASE
3: COLLECTOR

•2SA1037AK (VV556500)
TRANSISTOR
Q501, Q504, Q505, Q603, Q604



1: BASE
2: EMITTER
3: COLLECTOR



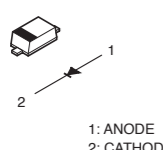
to IN1-CN503
-Page 16: B-2-

XX : Not installed (未実装)
(セ) : Ceramic Capacitor (セラミックコンデンサー)
(□) : Chip Resistor (チップ抵抗)

IN2 CIRCUIT DIAGRAM 004 (IM8-40/IM8-32/IM8-24)

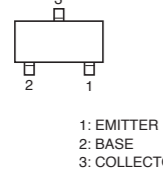
IM8-40/IM8-32/IM8-24

•1SS355 TE-17 (VT332900)
DIODE
D701-707, D801-808



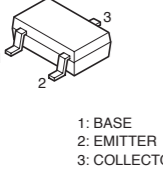
1: ANODE
2: CATHODE

•2SC2412K (VV556400)
TRANSISTOR
Q701, Q702, Q801, Q802, Q805

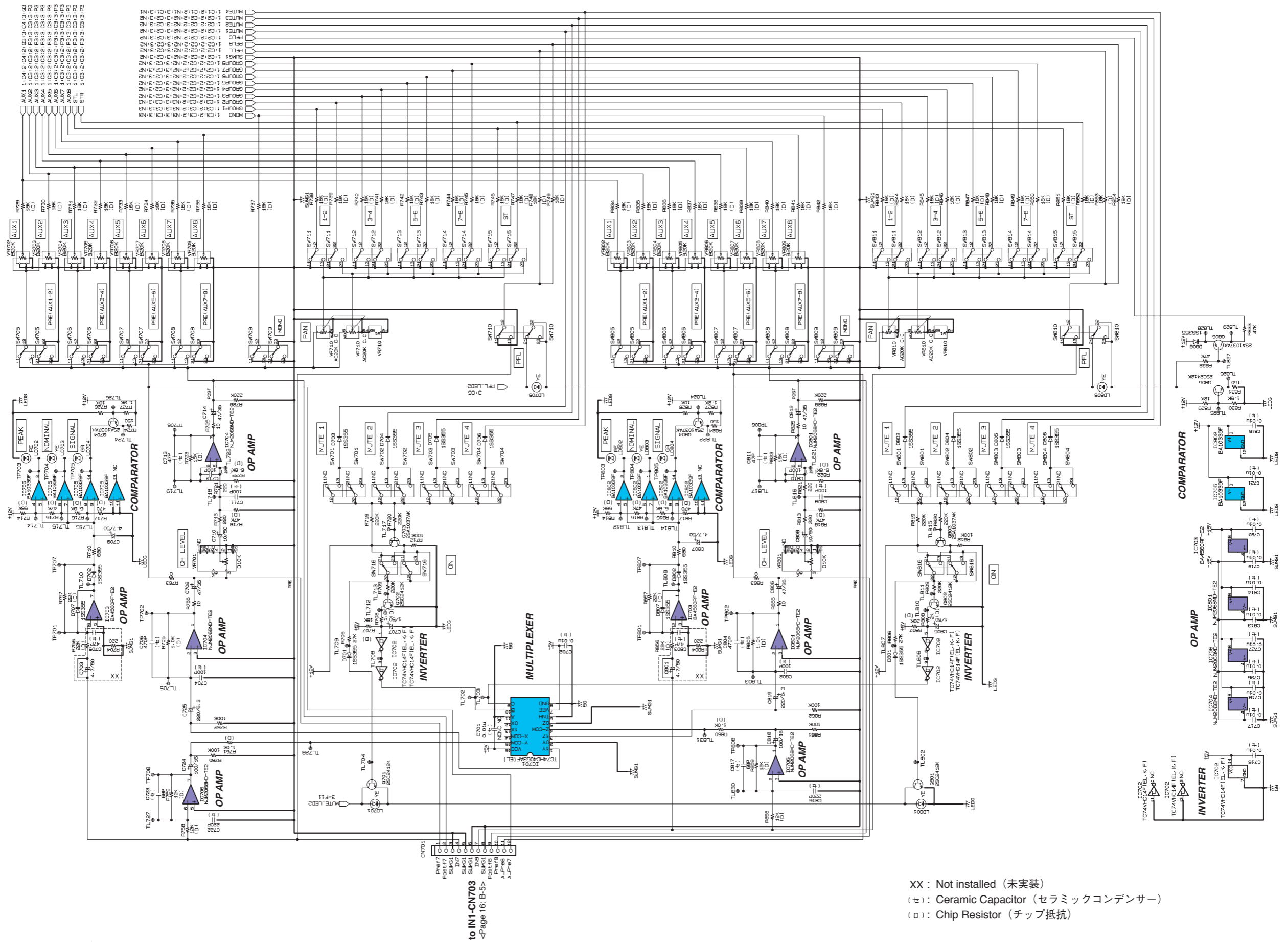


1: EMITTER
2: BASE
3: COLLECTOR

•2SA1037AK (VV556500)
TRANSISTOR
Q703, Q704, Q803, Q804, Q806



1: BASE
2: EMITTER
3: COLLECTOR



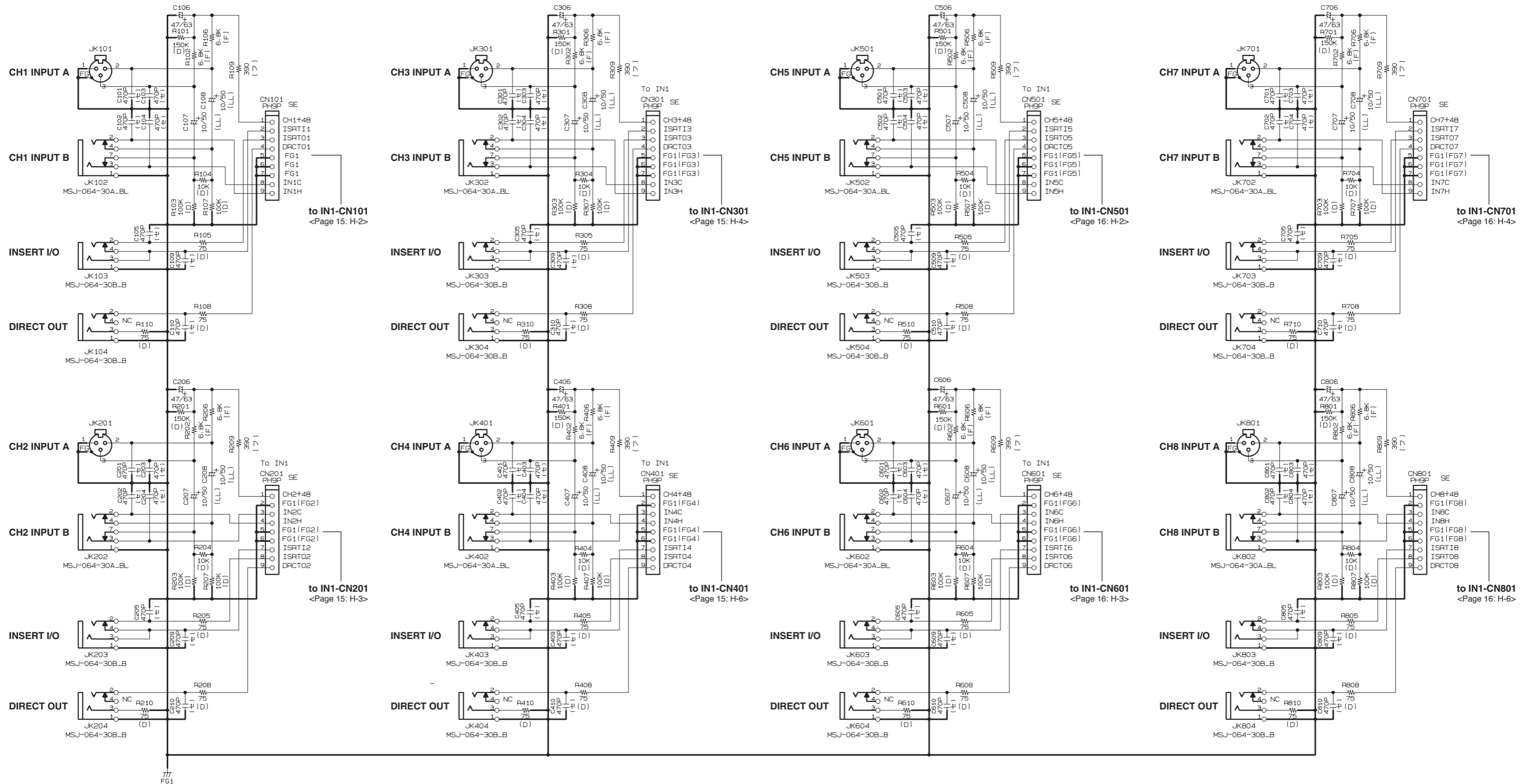
to IN1-CN703
<Page 16: B-5>

- XX : Not installed (未実装)
- (セ) : Ceramic Capacitor (セラミックコンデンサー)
- (D) : Chip Resistor (チップ抵抗)

IN2 CIRCUIT DIAGRAM 004 (IM8-40/IM8-32/IM8-24)

INJK CIRCUIT DIAGRAM (IM8-40/IM8-32/IM8-24)

IM8-40/IM8-32/IM8-24



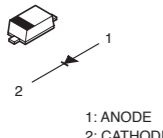
- (セ): Ceramic Capacitor (Chip) (チップセラミックコンデンサー)
- (LL): Electrolytic Capacitor (電解コンデンサー)
- (D): Chip Resistor (チップ抵抗)
- (F): Metal Film Resistor (金属被膜抵抗)
- (フ): Flame Proof C. Resistor (不燃化カーボン抵抗)

MAS1 CIRCUIT DIAGRAM 001 (IM8-40/IM8-32/IM8-24)

IM8-40/IM8-32/IM8-24

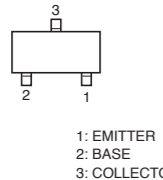
1
2
3
4
5
6
7
8
9
10
11
12

•1SS355 TE-17 (VT332900)
DIODE
D101



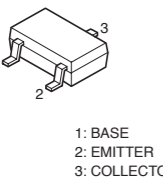
1: ANODE
2: CATHODE

•2SC2412K (VV556400)
TRANSISTOR
Q101

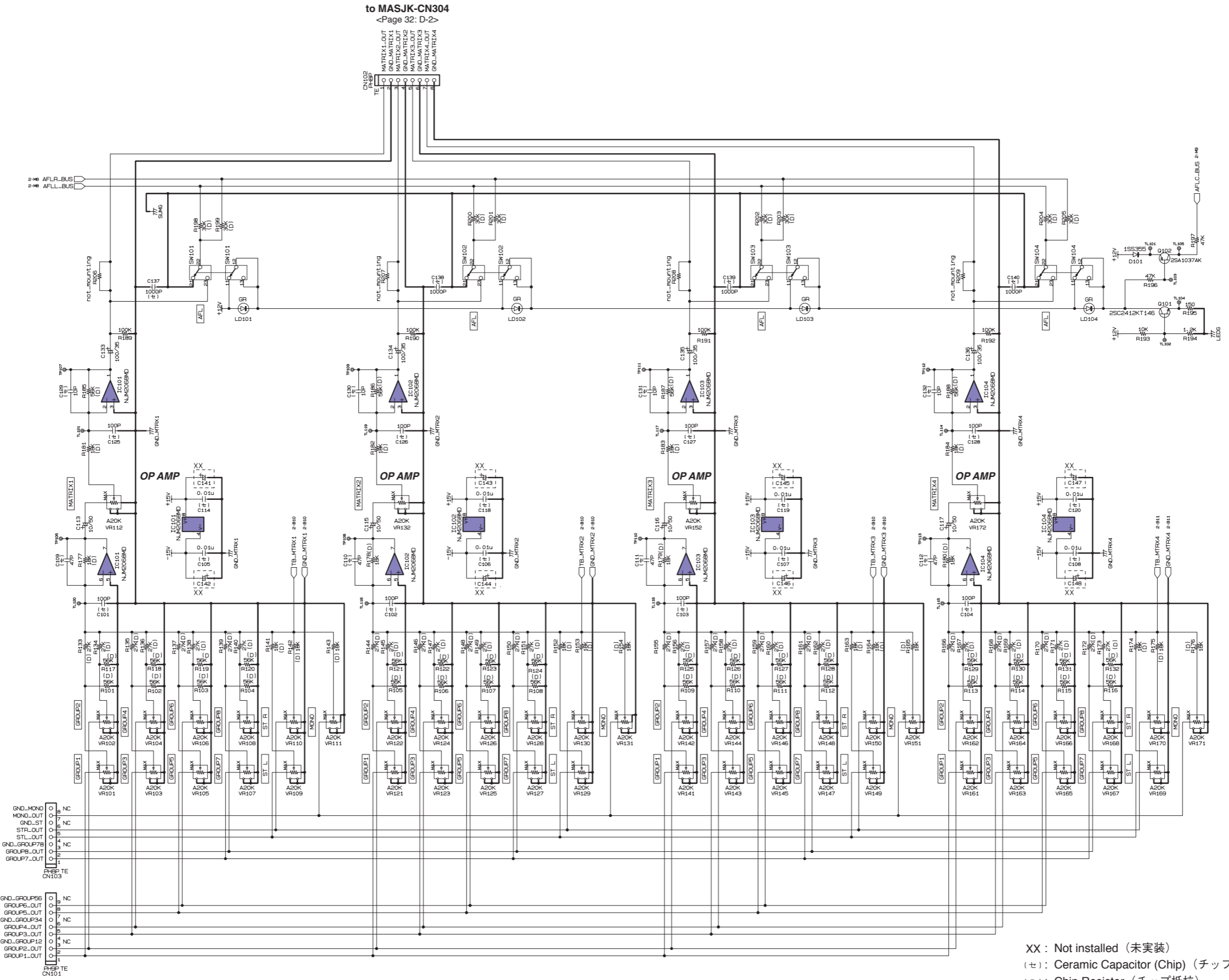


1: EMITTER
2: BASE
3: COLLECTOR

•2SA1037AK (VV556500)
TRANSISTOR
Q102



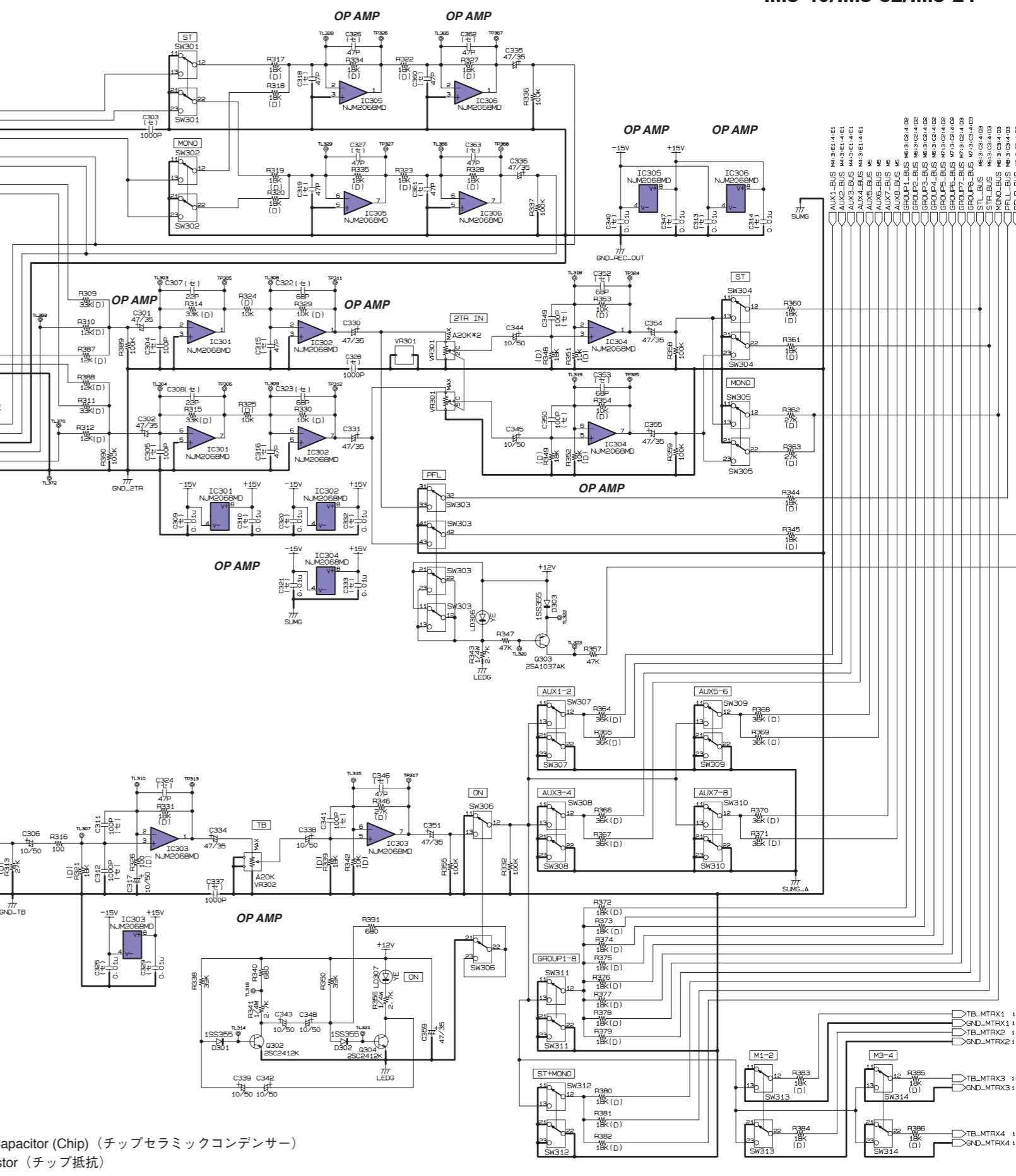
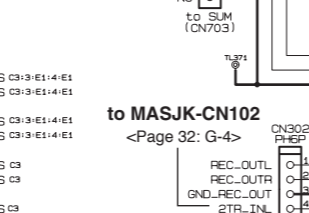
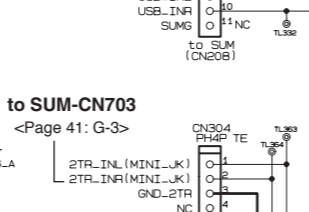
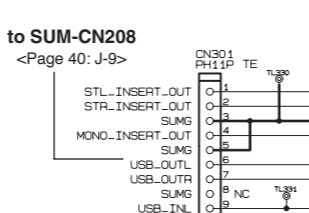
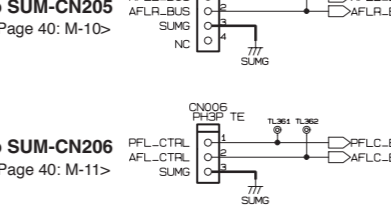
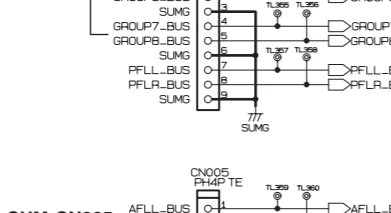
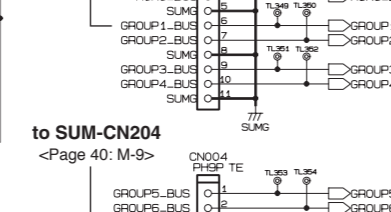
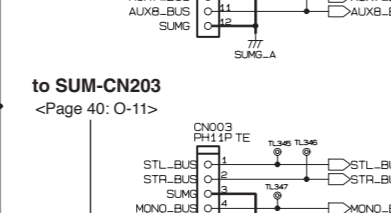
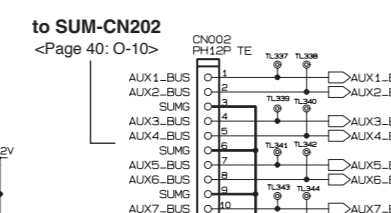
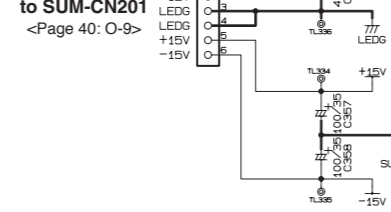
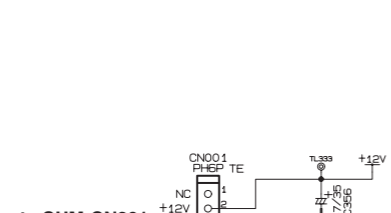
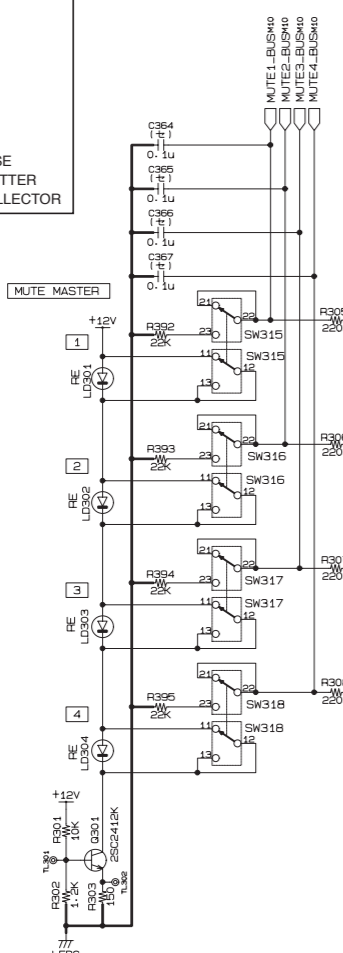
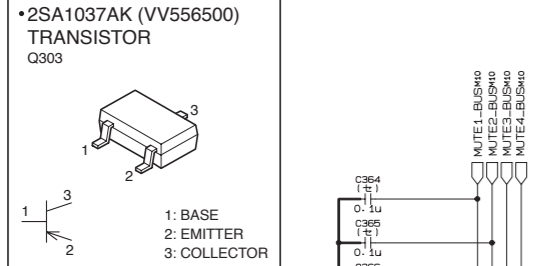
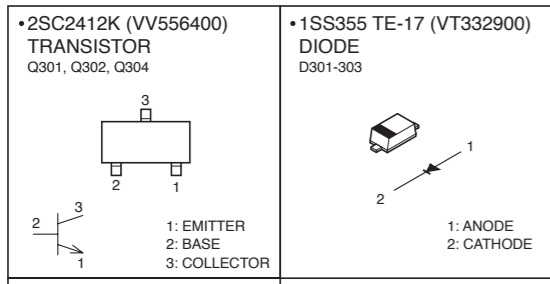
1: BASE
2: EMITTER
3: COLLECTOR



XX : Not installed (未実装)
(c) : Ceramic Capacitor (Chip) (チップセラミックコンデンサー)
(r) : Chip Resistor (チップ抵抗)

MAS1 CIRCUIT DIAGRAM 002 (IM8-40/IM8-32/IM8-24)

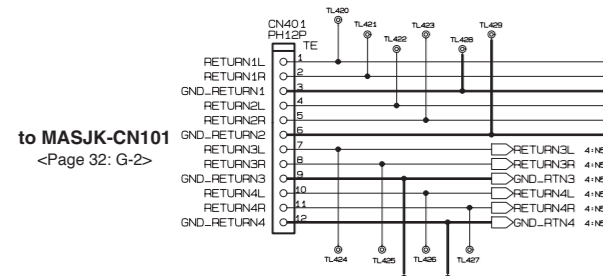
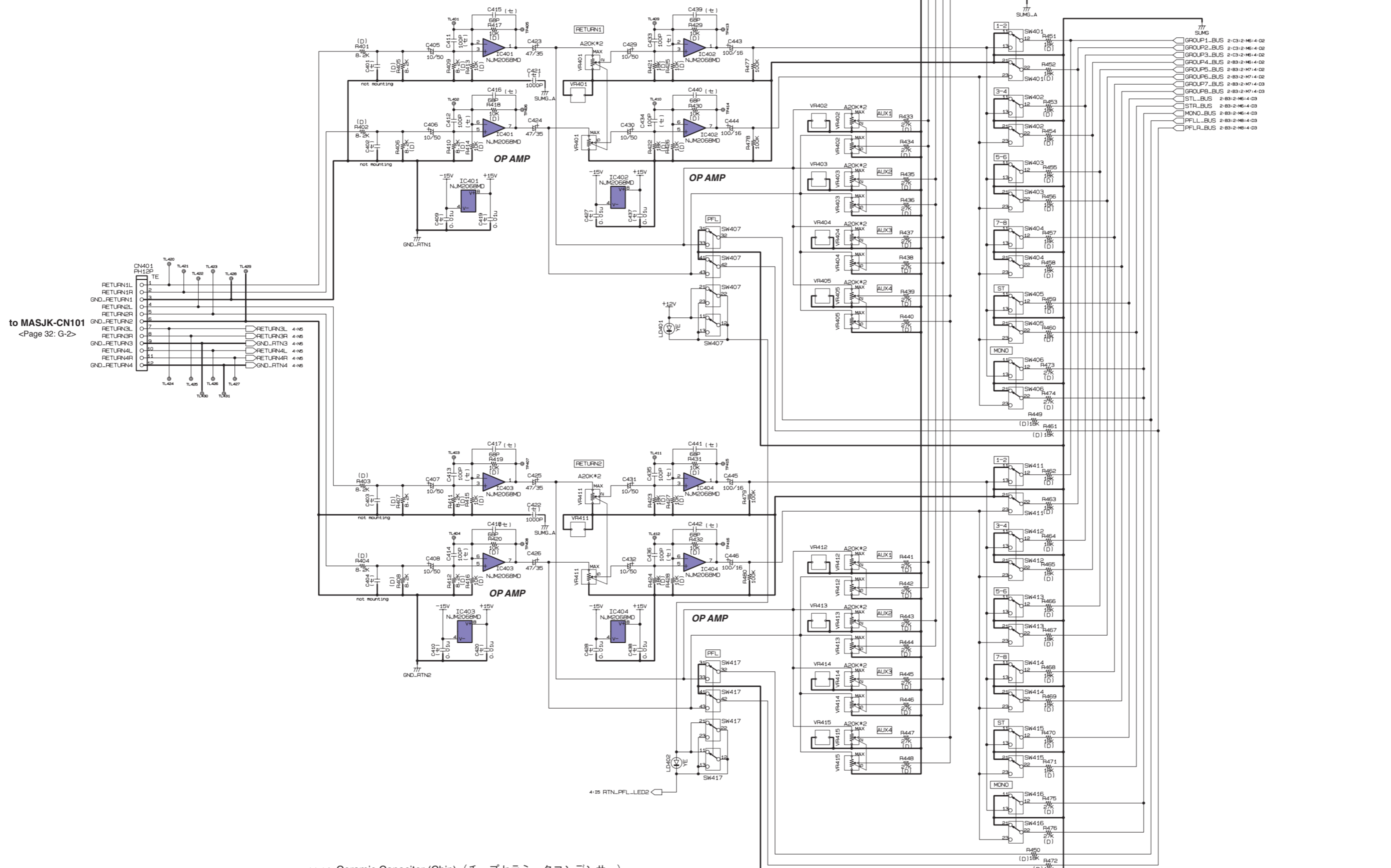
IM8-40/IM8-32/IM8-24



(C): Ceramic Capacitor (Chip) (チップセラミックコンデンサー)
(D): Chip Resistor (チップ抵抗)

MAS1 CIRCUIT DIAGRAM 003 (IM8-40/IM8-32/IM8-24)

IM8-40/IM8-32/IM8-24



(テ) : Ceramic Capacitor (Chip) (チップセラミックコンデンサー)
 (D) : Chip Resistor (チップ抵抗)

MAS1 CIRCUIT DIAGRAM 004 (IM8-40/IM8-32/IM8-24)

IM8-40/IM8-32/IM8-24

•1SS355 TE-17 (VT332900)
DIODE
D501

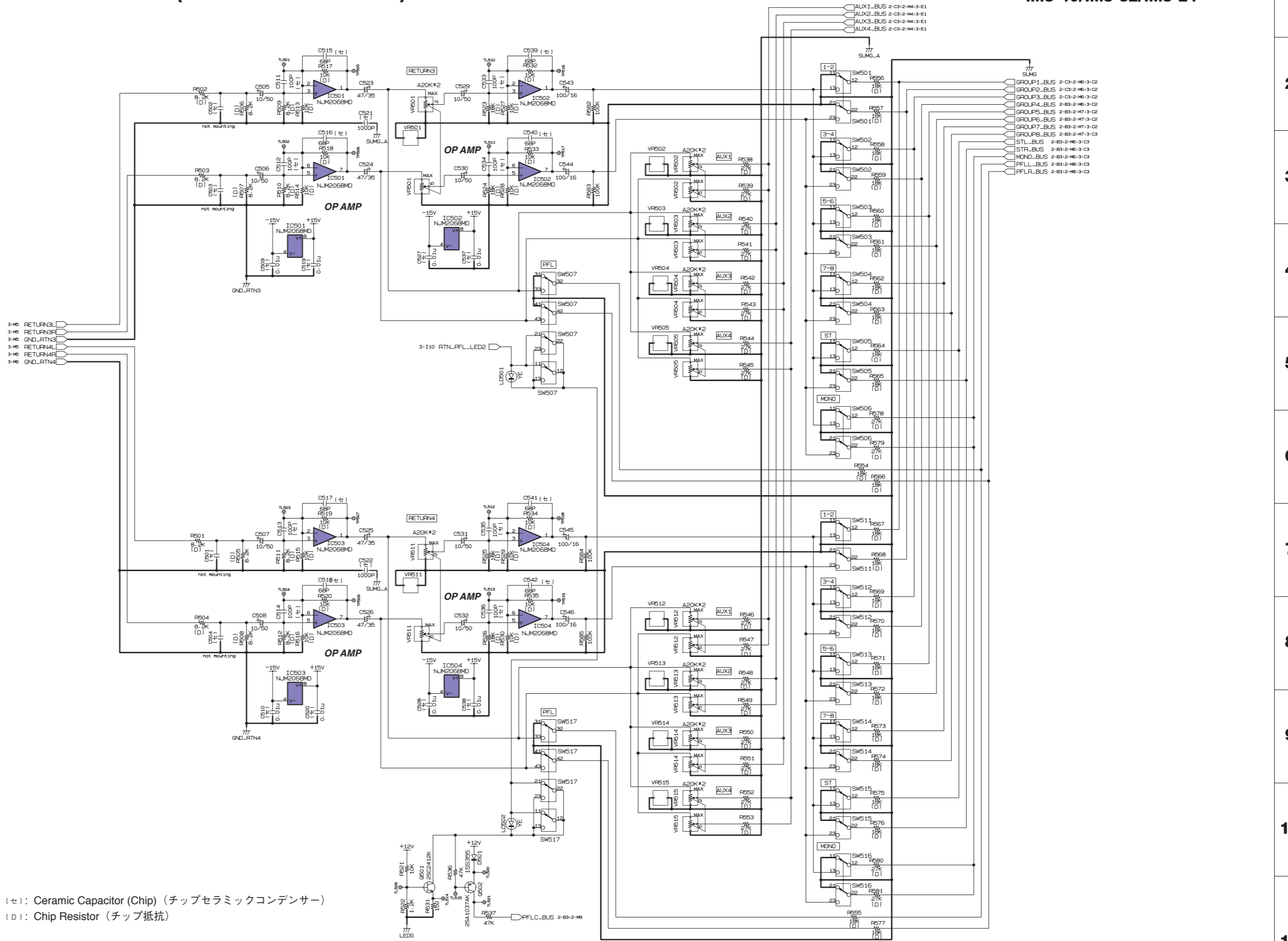
1: ANODE
2: CATHODE

•2SC2412K (VV556400)
TRANSISTOR
Q501

1: EMITTER
2: BASE
3: COLLECTOR

•2SA1037AK (VV556500)
TRANSISTOR
Q502

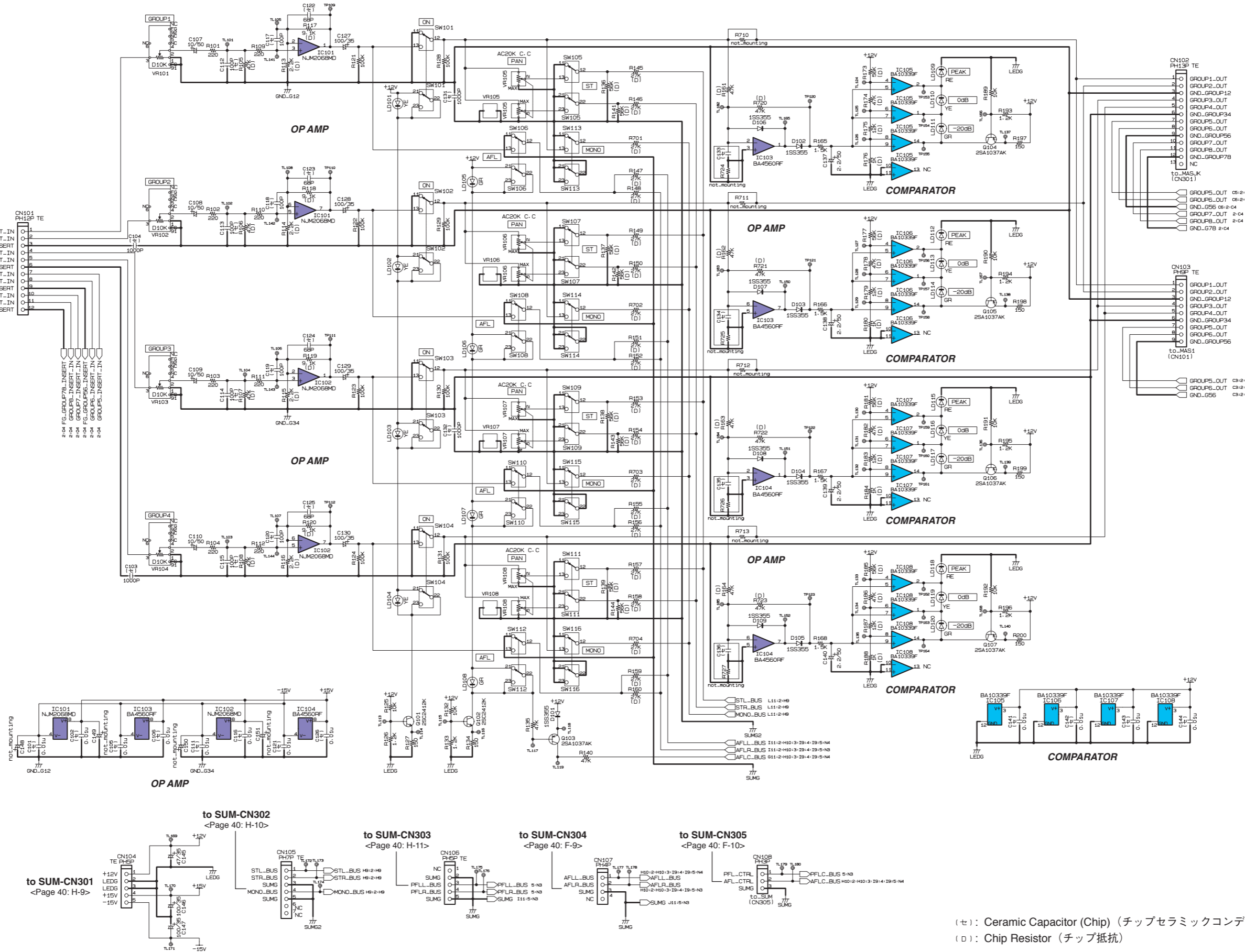
1: BASE
2: EMITTER
3: COLLECTOR



1
2
3
4
5
6
7
8
9
10
11

MAS2 CIRCUIT DIAGRAM 001 (IM8-40/IM8-32/IM8-24)

IM8-40/IM8-32/IM8-24



to MASJK-CN301
<Page 32: G-2>

to MAS1-CN101
<Page 22: O-11>

•1SS355 TE-17 (VT332900) DIODE
D101-109

1: ANODE
2: CATHODE

•2SC2412K (VV556400) TRANSISTOR
Q101, Q102

1: EMITTER
2: BASE
3: COLLECTOR

•2SA1037AK (VV556500) TRANSISTOR
Q103-107

1: BASE
2: EMITTER
3: COLLECTOR

to SUM-CN301
<Page 40: H-9>

to SUM-CN302
<Page 40: H-10>

to SUM-CN303
<Page 40: H-11>

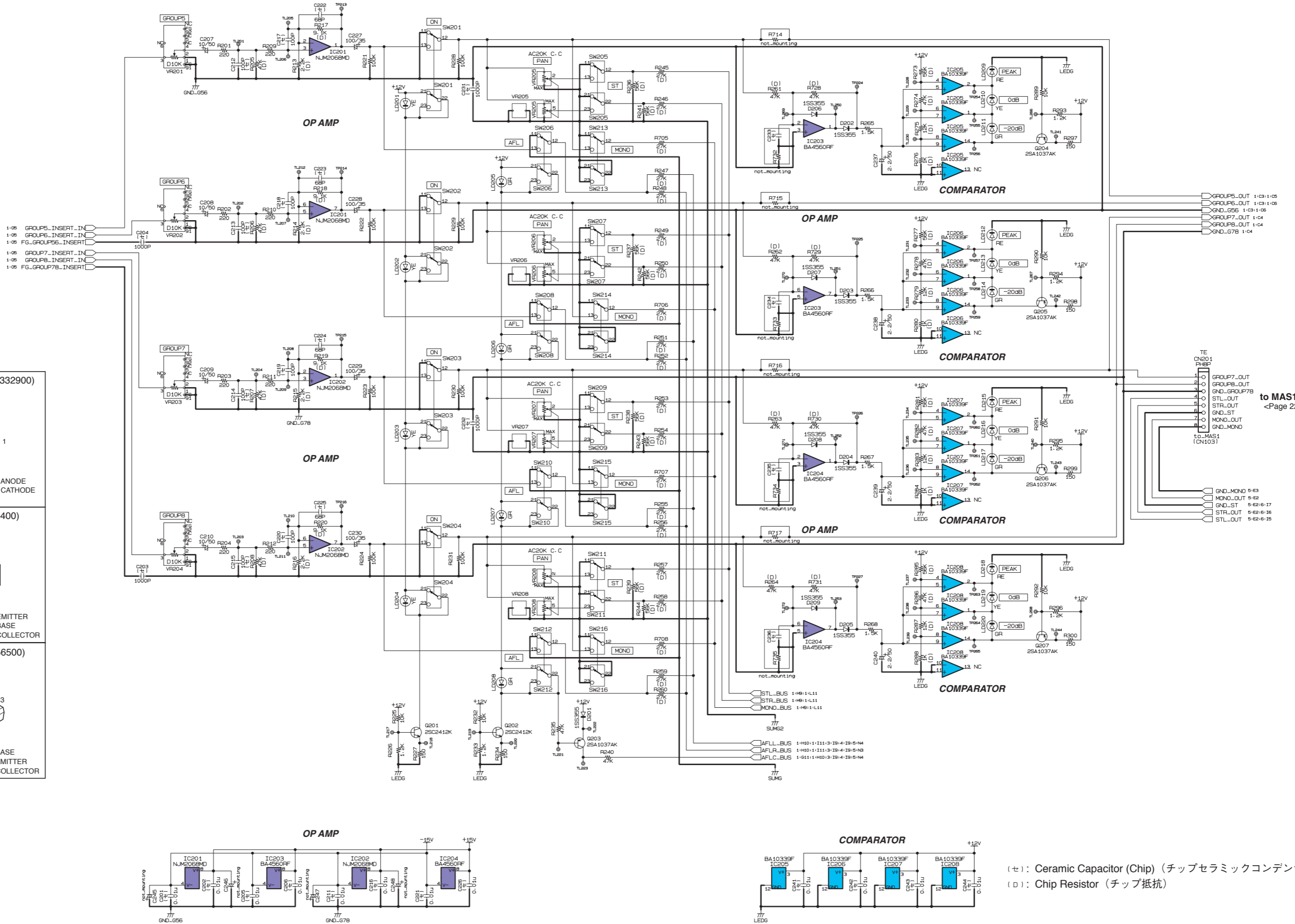
to SUM-CN304
<Page 40: F-9>

to SUM-CN305
<Page 40: F-10>

(ε): Ceramic Capacitor (Chip) (チップセラミックコンデンサー)
(◇): Chip Resistor (チップ抵抗)

MAS2 CIRCUIT DIAGRAM 002 (IM8-40/IM8-32/IM8-24)

IM8-40/IM8-32/IM8-24



1SS355 TE-17 (VT332900) DIODE D201-209

1: ANODE
2: CATHODE

2SC2412K (VV556400) TRANSISTOR Q201, Q202

1: EMITTER
2: BASE
3: COLLECTOR

2SA1037AK (VV556500) TRANSISTOR Q203-207

1: BASE
2: EMITTER
3: COLLECTOR

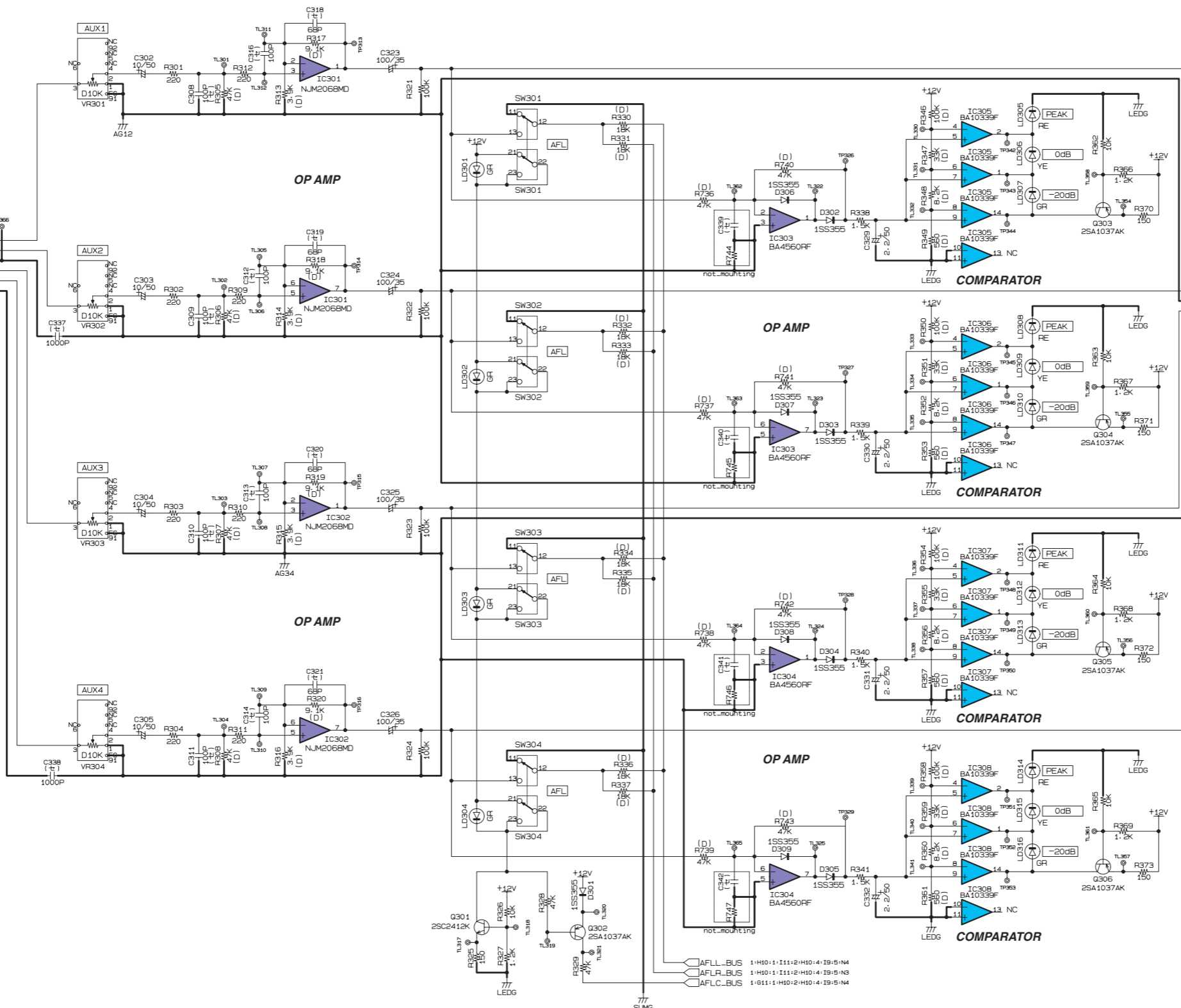


MAS2 CIRCUIT DIAGRAM 003 (IM8-40/IM8-32/IM8-24)

IM8-40/IM8-32/IM8-24

to MASJK-CN204
<Page 32: B-5>

to SUM-CN411
<Page 42: O-9>

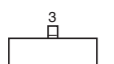


•1SS355 TE-17 (VT332900)
DIODE
D301-309



1: ANODE
2: CATHODE

•2SC2412K (VV556400)
TRANSISTOR
Q301

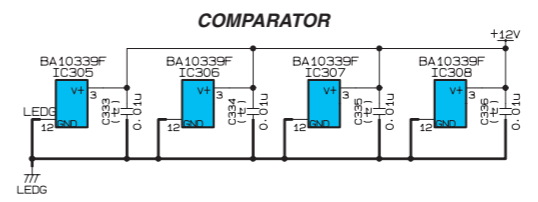
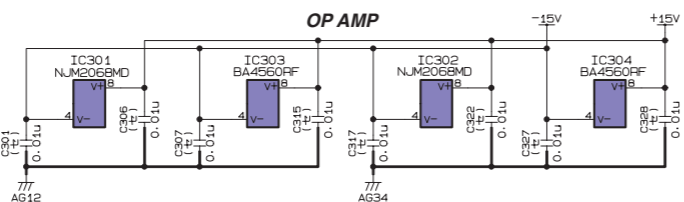


1: EMITTER
2: BASE
3: COLLECTOR

•2SA1037AK (VV556500)
TRANSISTOR
Q302-306



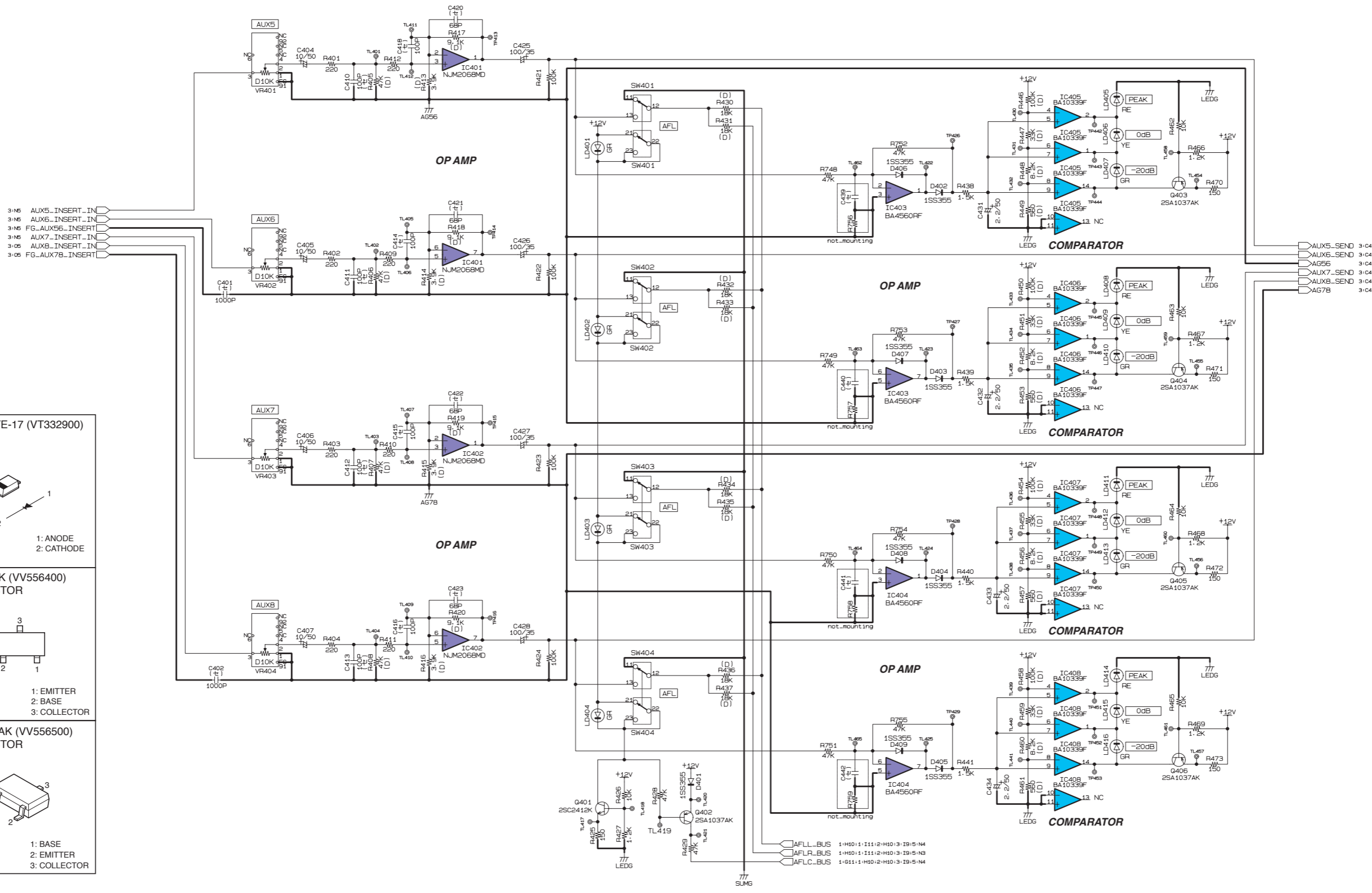
1: BASE
2: EMITTER
3: COLLECTOR



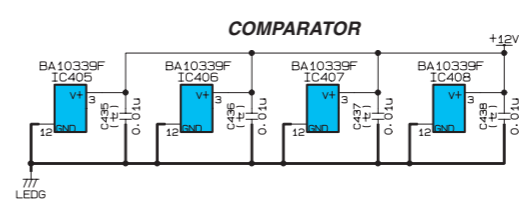
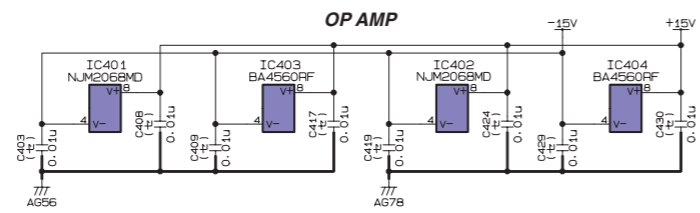
(セ): Ceramic Capacitor (Chip) (チップセラミックコンデンサー)
(ロ): Chip Resistor (チップ抵抗)

MAS2 CIRCUIT DIAGRAM 004 (IM8-40/IM8-32/IM8-24)

IM8-40/IM8-32/IM8-24



- 1SS355 TE-17 (VT332900) DIODE D401-409
 - 2SC2412K (VV556400) TRANSISTOR Q401
 - 2SA1037AK (VV556500) TRANSISTOR Q402-406
-
- 1: ANODE
2: CATHODE
- 1: EMITTER
2: BASE
3: COLLECTOR
- 1: BASE
2: EMITTER
3: COLLECTOR

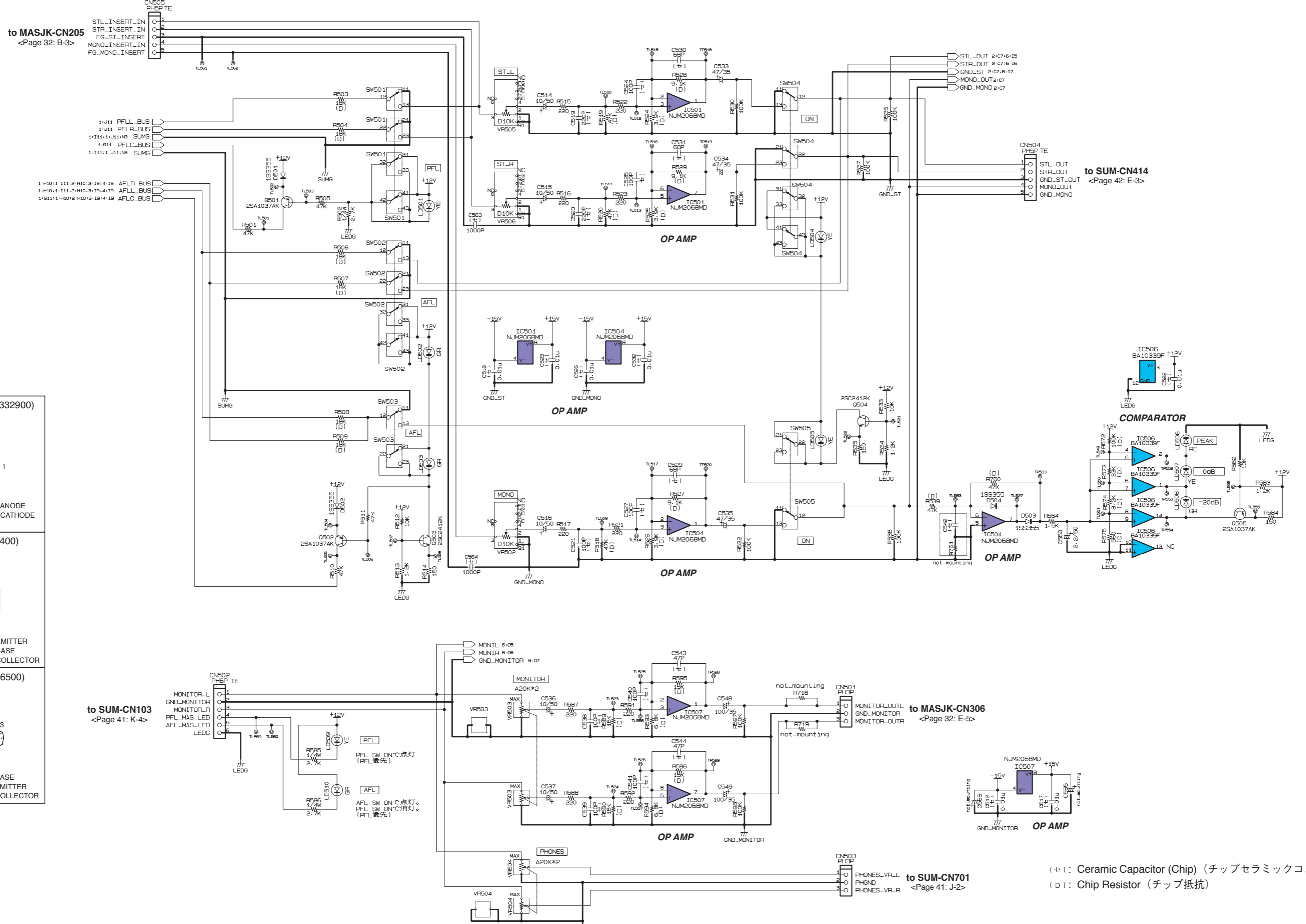


(セ): Ceramic Capacitor (チップセラミックコンデンサー)
(ロ): Chip Resistor (チップ抵抗)

1
2
3
4
5
6
7
8
9
10
11

MAS2 CIRCUIT DIAGRAM 005 (IM8-40/IM8-32/IM8-24)

IM8-40/IM8-32/IM8-24



•1SS355 TE-17 (VT332900) DIODE D501-504

1: ANODE
2: CATHODE

•2SC2412K (VV556400) TRANSISTOR Q503, Q504

1: EMITTER
2: BASE
3: COLLECTOR

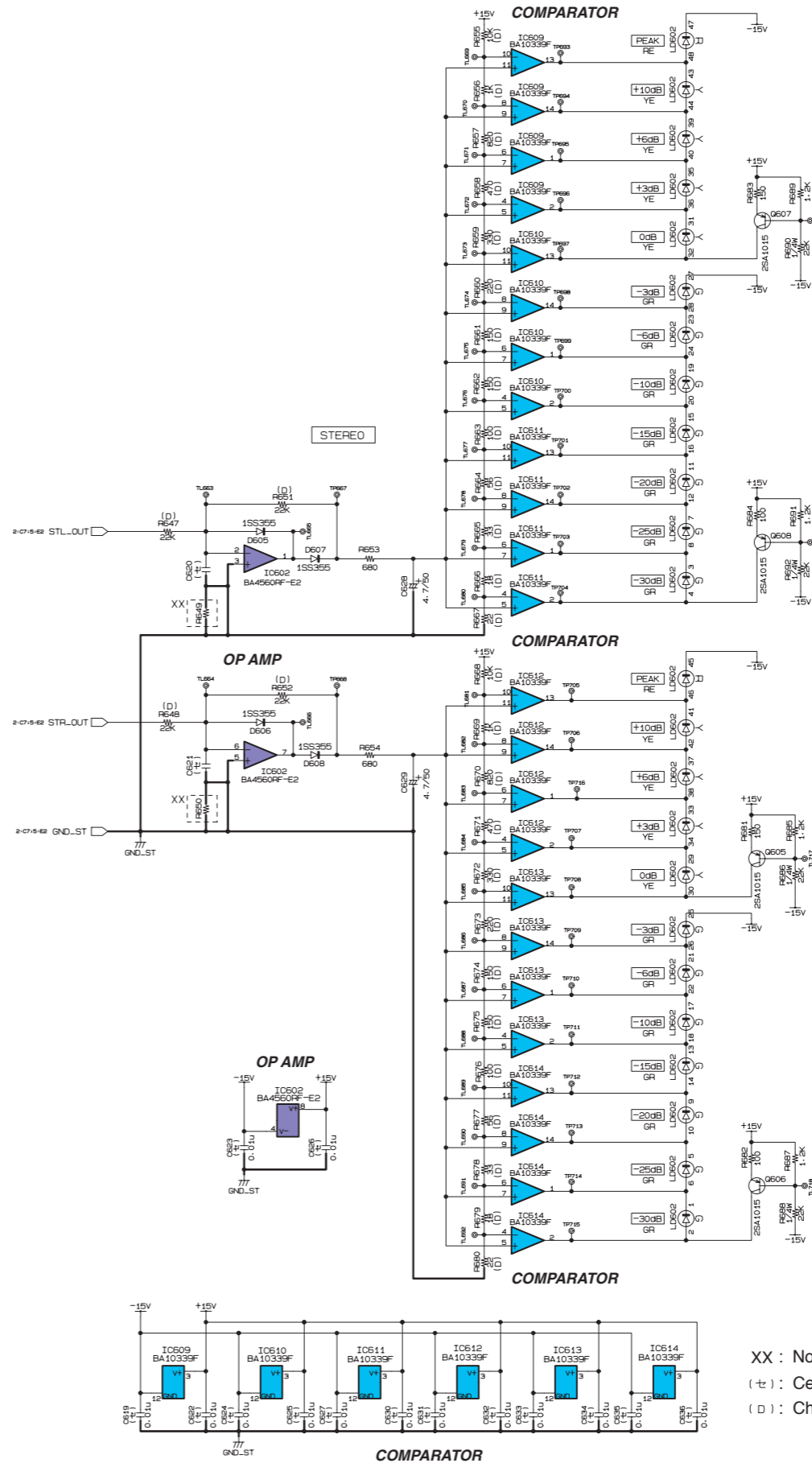
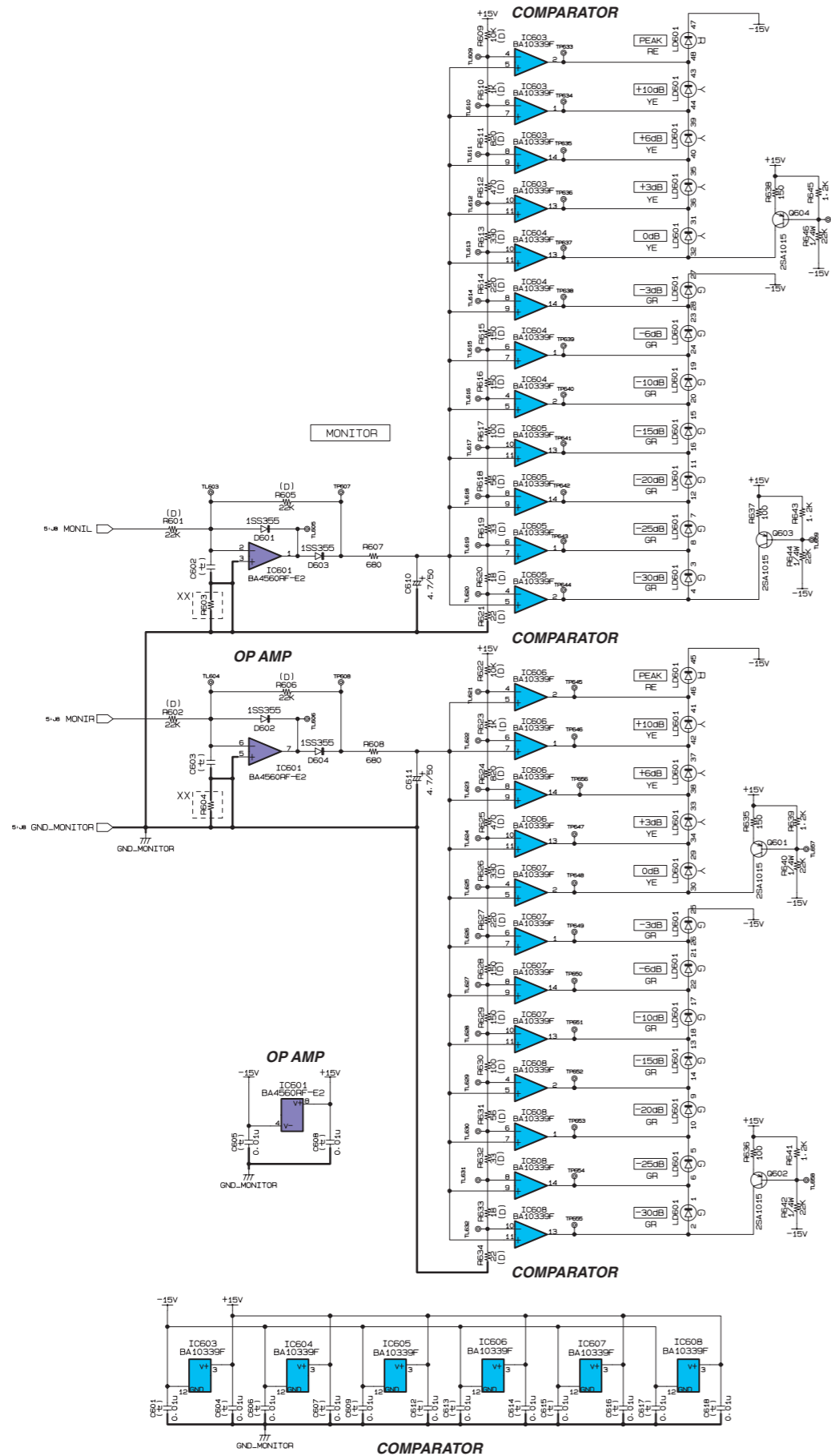
•2SA1037AK (VV556500) TRANSISTOR Q501, Q502, Q505

1: BASE
2: EMITTER
3: COLLECTOR

(C): Ceramic Capacitor (Chip) (チップセラミックコンデンサー)
(R): Chip Resistor (チップ抵抗)

MAS2 CIRCUIT DIAGRAM 006 (IM8-40/IM8-32/IM8-24)

IM8-40/IM8-32/IM8-24



- 1SS355 TE-17 (VT332900) DIODE D601-608

1: ANODE
2: CATHODE
- 2SA1015 (IA101590) TRANSISTOR Q601-608

1: EMITTER
2: COLLECTOR
3: BASE
- KTA1266 (WB228700) TRANSISTOR Q601-608

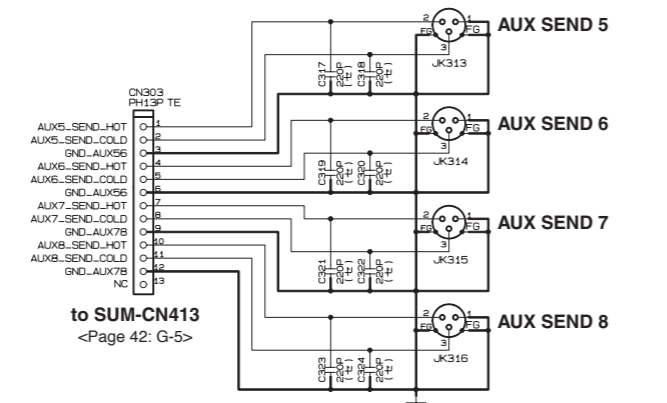
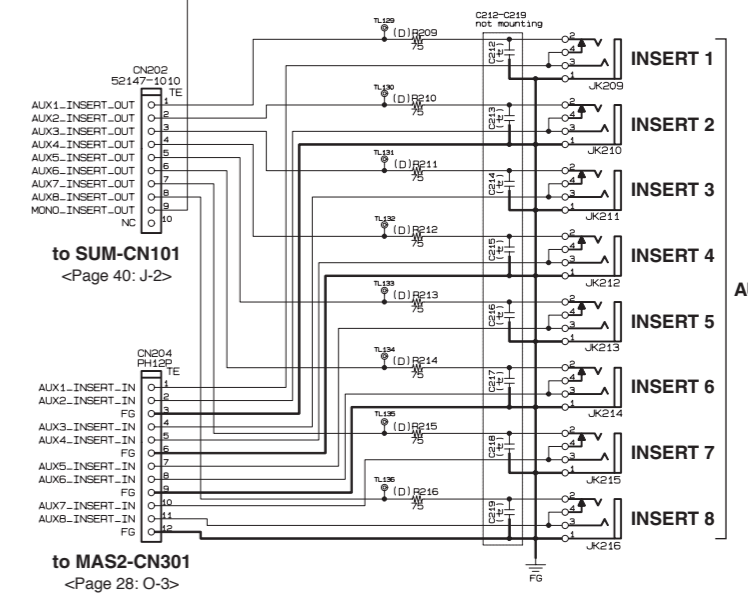
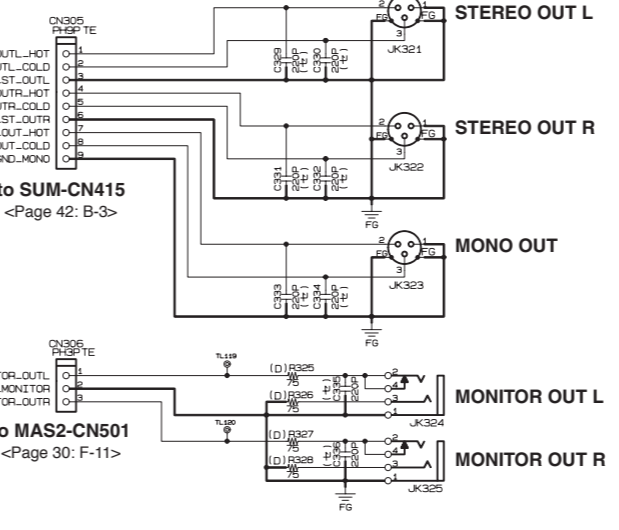
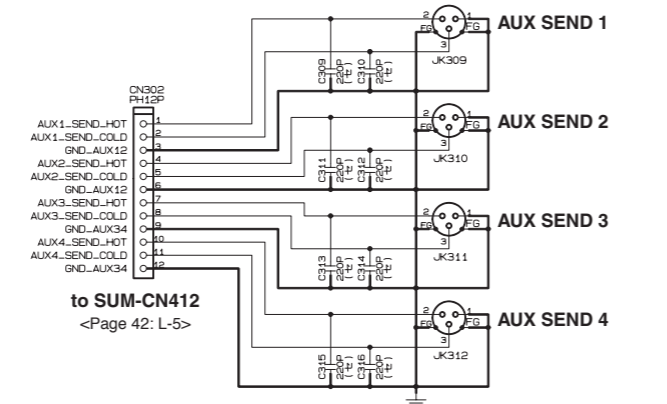
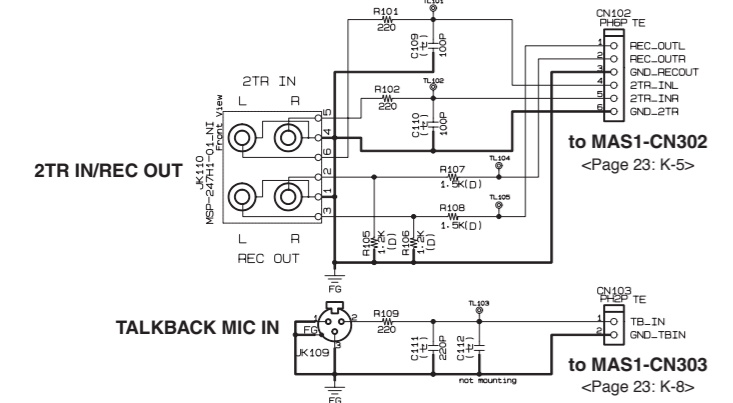
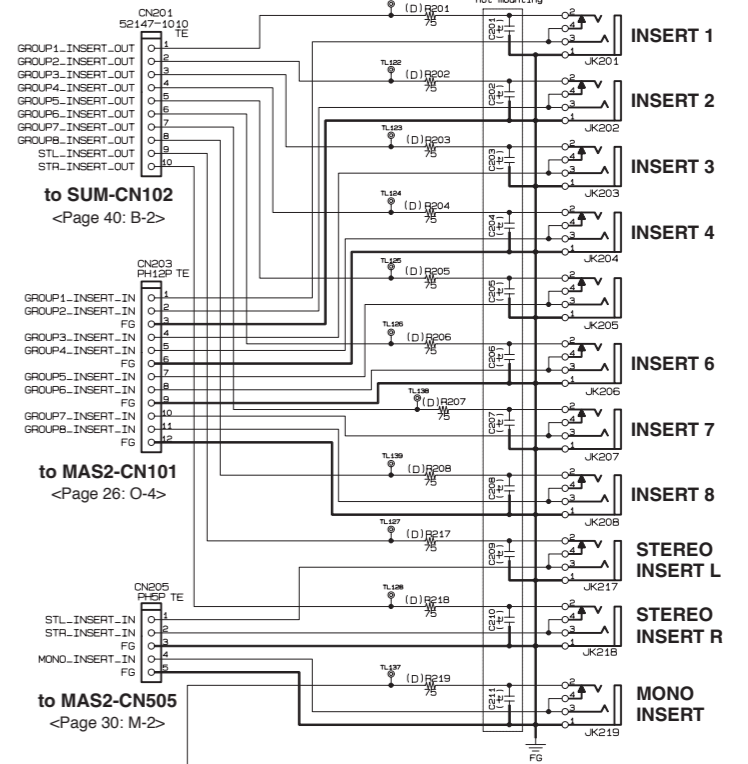
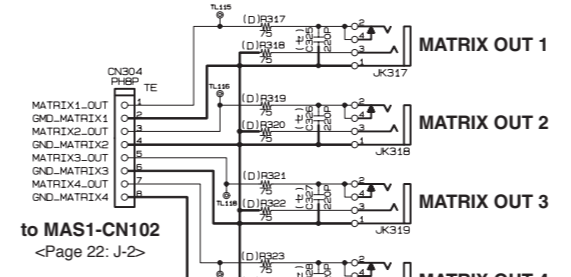
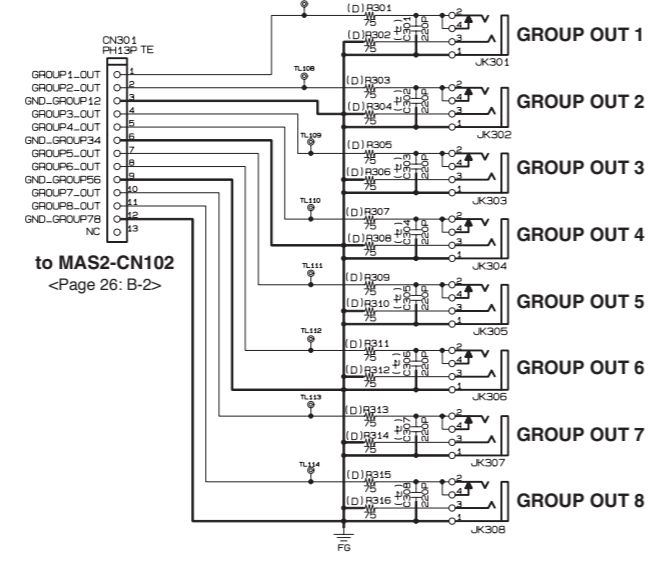
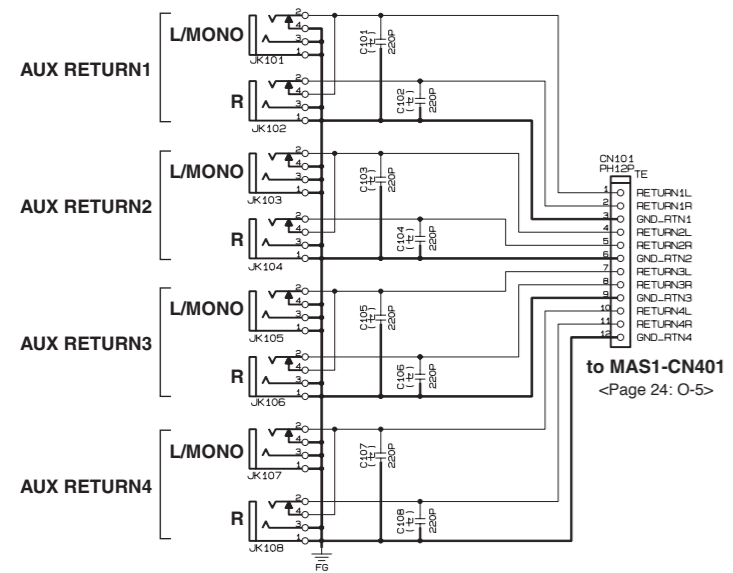
1: EMITTER
2: COLLECTOR
3: BASE

XX : Not installed (未実装)
 (セ) : Ceramic Capacitor (Chip) (チップセラミックコンデンサー)
 (□) : Chip Resistor (チップ抵抗)

1
2
3
4
5
6
7
8
9
10
11
12

MASJK CIRCUIT DIAGRAM (IM8-40/IM8-32/IM8-24)

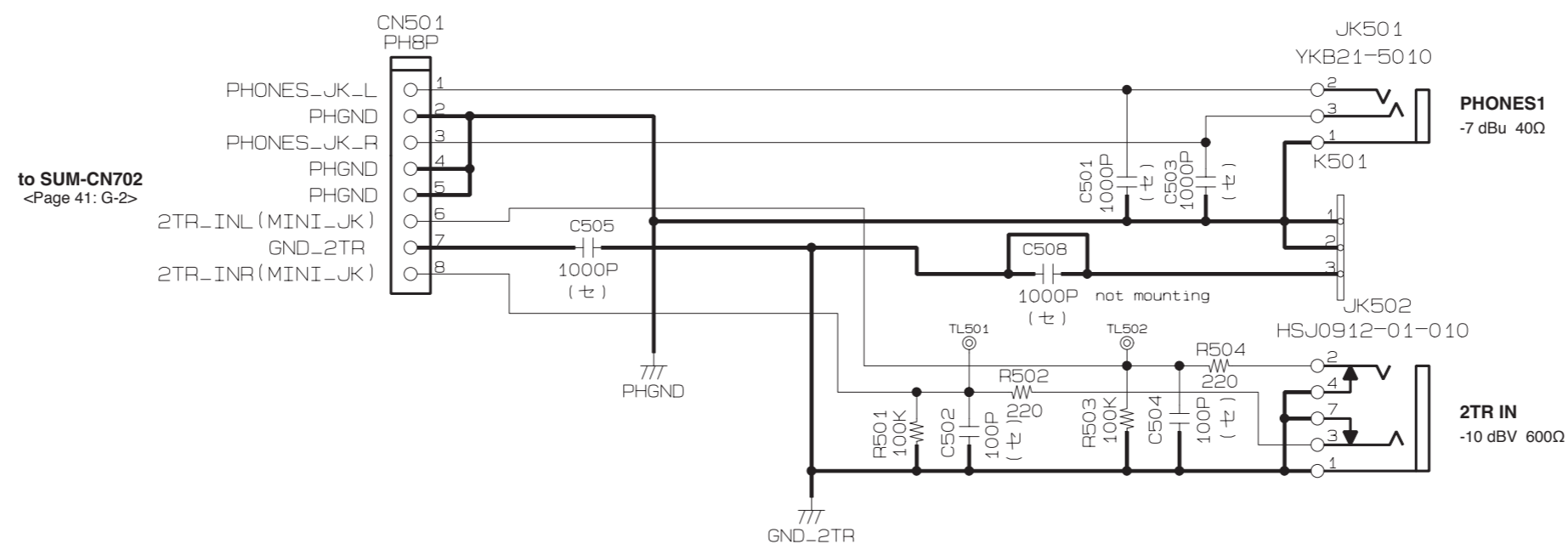
IM8-40/IM8-32/IM8-24



(C): Ceramic Capacitor (Chip) (チップセラミックコンデンサー)
(D): Chip Resistor (チップ抵抗)

PHONES CIRCUIT DIAGRAM (IM8-40/IM8-32/IM8-24)

IM8-40/IM8-32/IM8-24



■ ST1 CIRCUIT DIAGRAM (IM8-40/IM8-32/IM8-24)

IM8-40/IM8-32/IM8-24



to STJK-CN101
<Page 39: E-3>

- (セ) : Ceramic Capacitor (Chip) (チップセラミックコンデンサー)
- (マ) : Polyester Film Capacitor (マイラーコンデンサー)
- (D) : Chip Resistor (チップ抵抗)

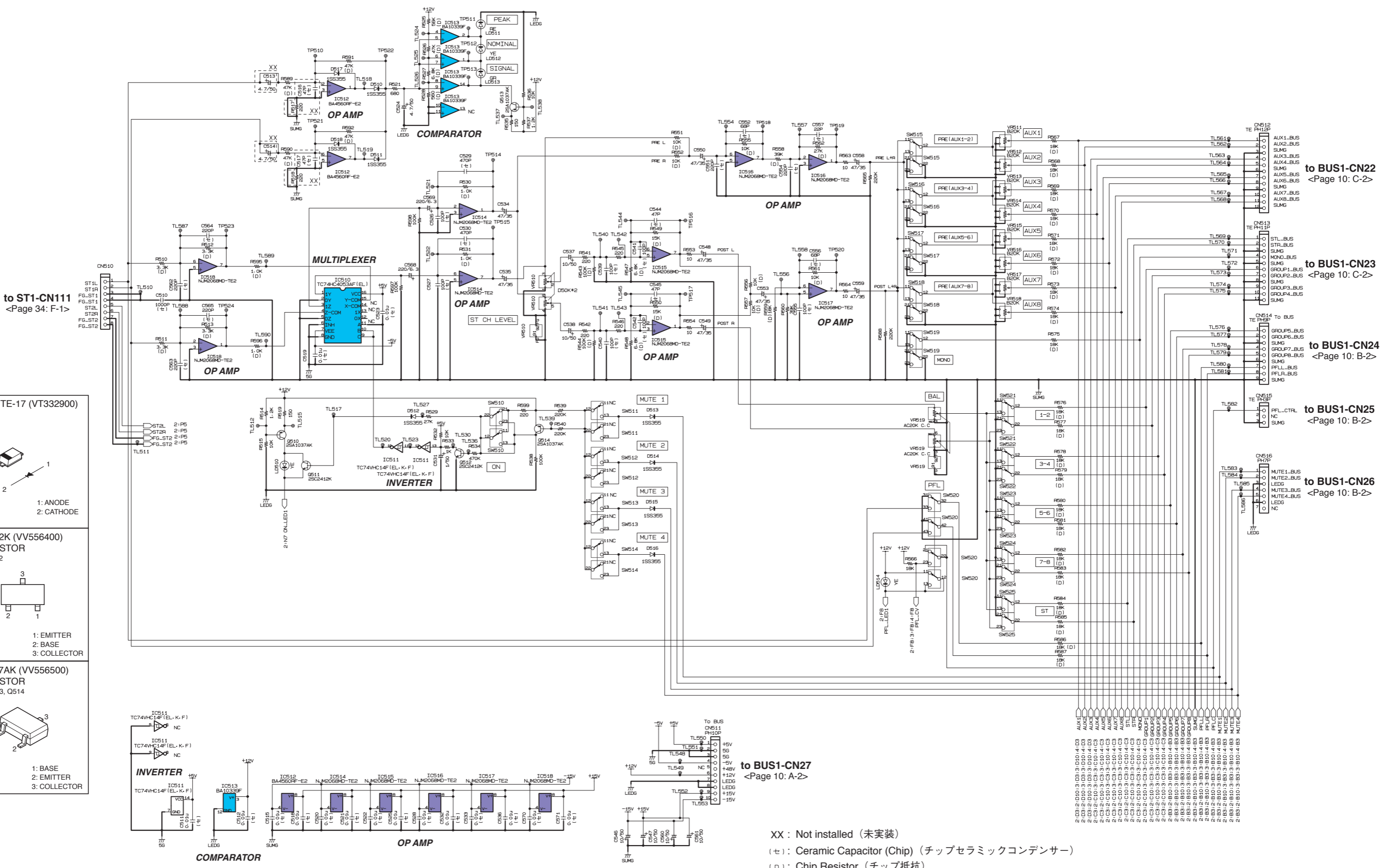
to STJK-CN301
<Page 39: A-3>

■ ST1 CIRCUIT DIAGRAM (IM8-40/IM8-32/IM8-24)

ST2 CIRCUIT DIAGRAM 001 (IM8-40/IM8-32/IM8-24)

IM8-40/IM8-32/IM8-24

1
2
3
4
5
6
7
8
9
10
11
12



•1SS355 TE-17 (VT332900) DIODE D510-518

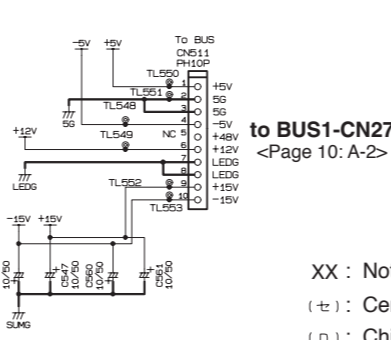
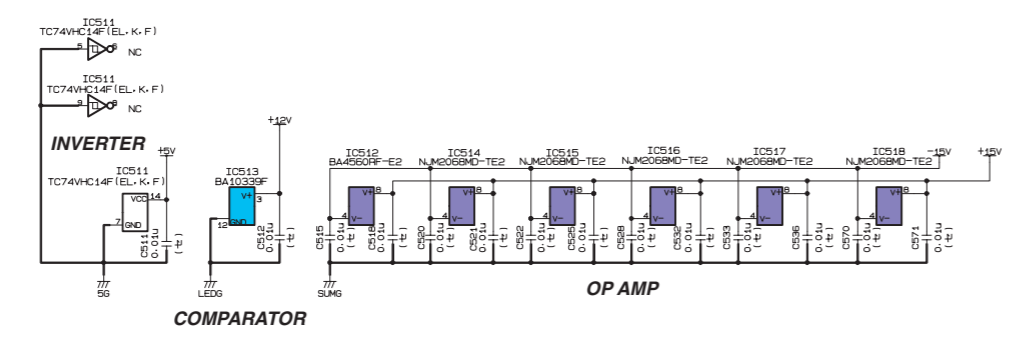
1: ANODE
2: CATHODE

•2SC2412K (VV556400) TRANSISTOR Q511, Q512

1: EMITTER
2: BASE
3: COLLECTOR

•2SA1037AK (VV556500) TRANSISTOR Q510, Q513, Q514

1: BASE
2: EMITTER
3: COLLECTOR

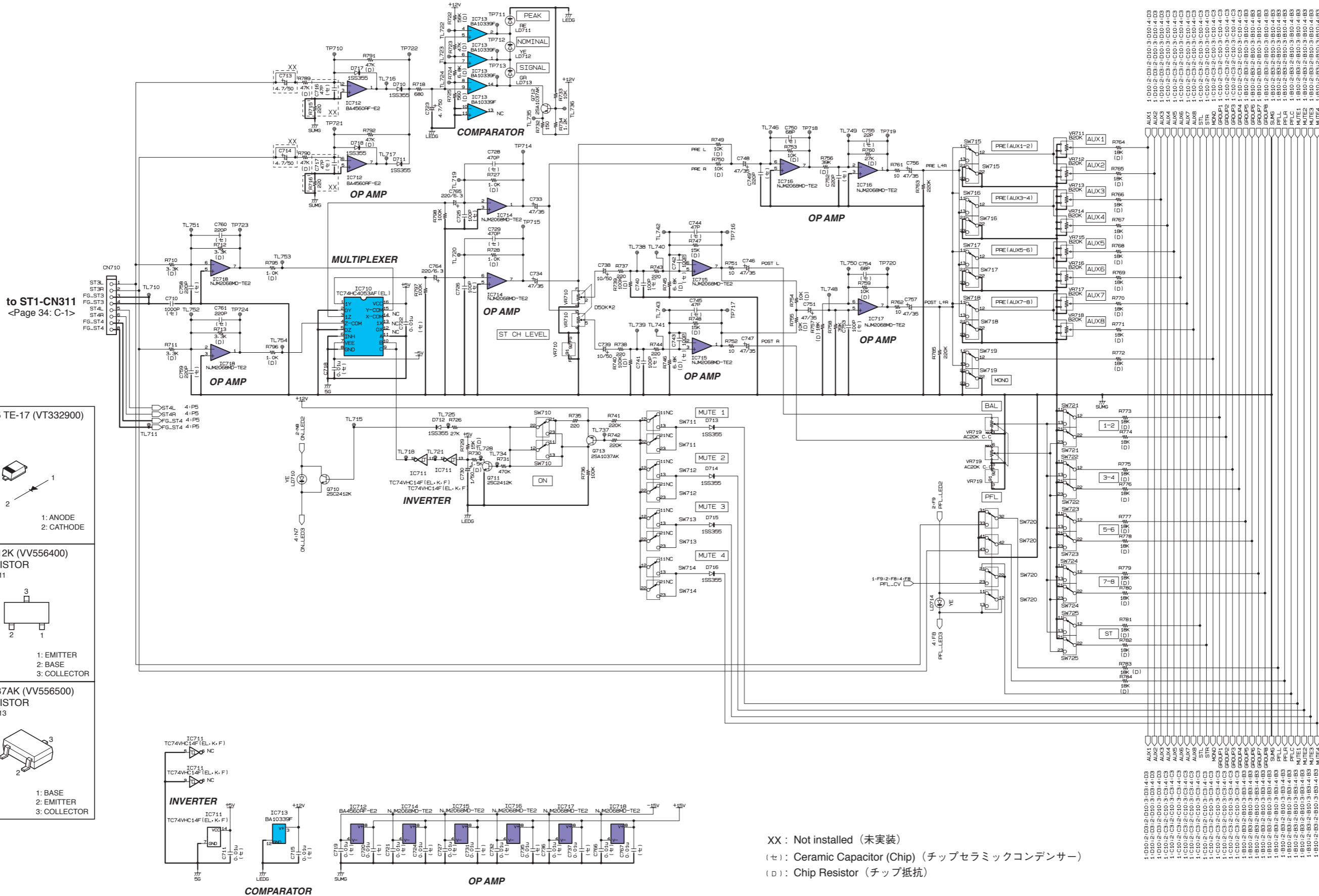


XX : Not installed (未実装)
(セ) : Ceramic Capacitor (Chip) (チップセラミックコンデンサー)
(D) : Chip Resistor (チップ抵抗)

to BUS1-CN22 <Page 10: C-2>
to BUS1-CN23 <Page 10: C-2>
to BUS1-CN24 <Page 10: B-2>
to BUS1-CN25 <Page 10: B-2>
to BUS1-CN26 <Page 10: B-2>

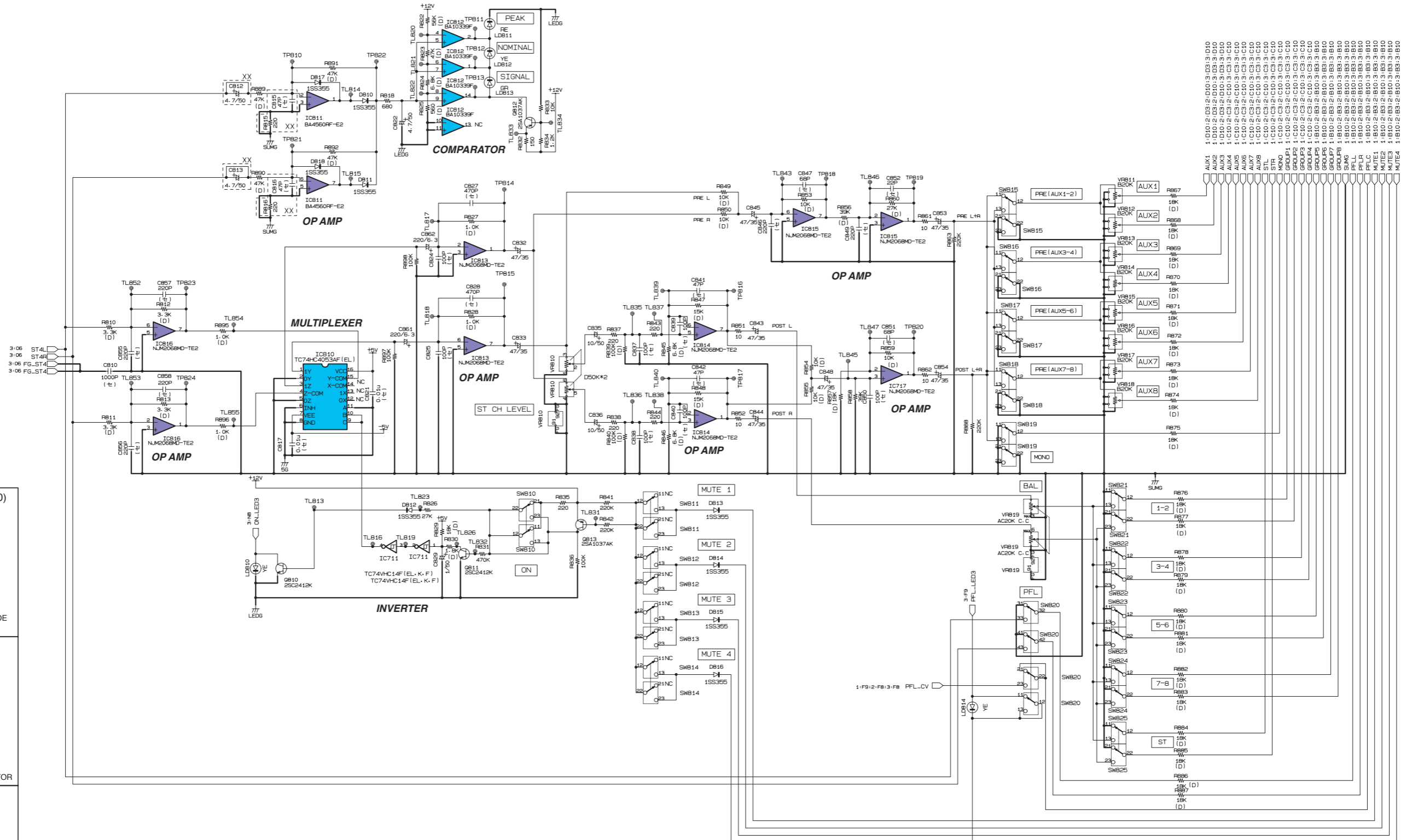
ST2 CIRCUIT DIAGRAM 003 (IM8-40/IM8-32/IM8-24)

IM8-40/IM8-32/IM8-24



ST2 CIRCUIT DIAGRAM 004 (IM8-40/IM8-32/IM8-24)

IM8-40/IM8-32/IM8-24



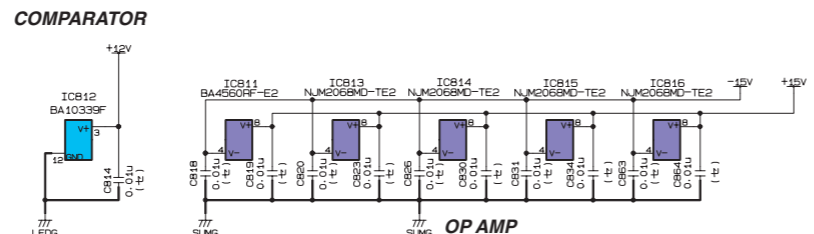
Pinout table for the device:

1	D10:2	D3:2	D10:3	D3:3	D10	
2	AUX2	1-D10:2	D3:2	D10:3	D3:3	D10
3	AUX4	1-C10:2	C3:2	C10:3	C3:3	C10
4	AUX6	1-C10:2	C3:2	C10:3	C3:3	C10
5	AUX7	1-C10:2	C3:2	C10:3	C3:3	C10
6	AUX8	1-C10:2	C3:2	C10:3	C3:3	C10
7	STL	1-C10:2	C3:2	C10:3	C3:3	C10
8	MONO	1-C10:2	C3:2	C10:3	C3:3	C10
9	GROUP1	1-C10:2	C3:2	C10:3	C3:3	C10
10	GROUP2	1-C10:2	C3:2	C10:3	C3:3	C10
11	GROUP3	1-C10:2	C3:2	C10:3	C3:3	C10
12	GROUP4	1-C10:2	C3:2	C10:3	C3:3	C10
13	GROUP5	1-B10:2	B3:2	B10:3	B3:3	B10
14	GROUP6	1-B10:2	B3:2	B10:3	B3:3	B10
15	GROUP7	1-B10:2	B3:2	B10:3	B3:3	B10
16	GROUP8	1-B10:2	B3:2	B10:3	B3:3	B10
17	PFL	1-B10:2	B3:2	B10:3	B3:3	B10
18	PFL	1-B10:2	B3:2	B10:3	B3:3	B10
19	MUTE1	1-B10:2	B3:2	B10:3	B3:3	B10
20	MUTE2	1-B10:2	B3:2	B10:3	B3:3	B10
21	MUTE3	1-B10:2	B3:2	B10:3	B3:3	B10
22	MUTE4	1-B10:2	B3:2	B10:3	B3:3	B10

•1SS355 TE-17 (VT332900) DIODE
D810-D818

•2SC2412K (VV556400) TRANSISTOR
Q810, Q811, Q814

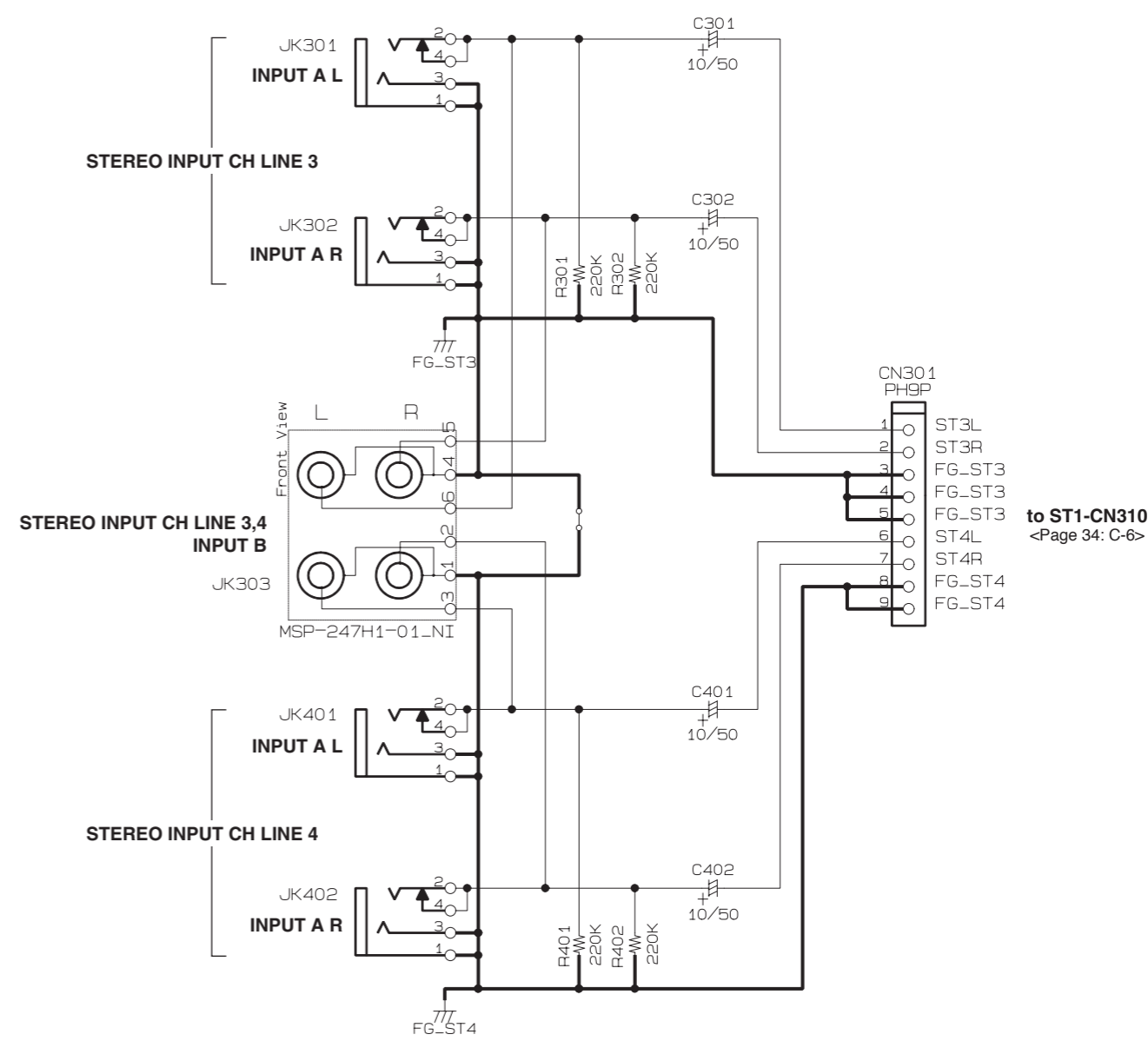
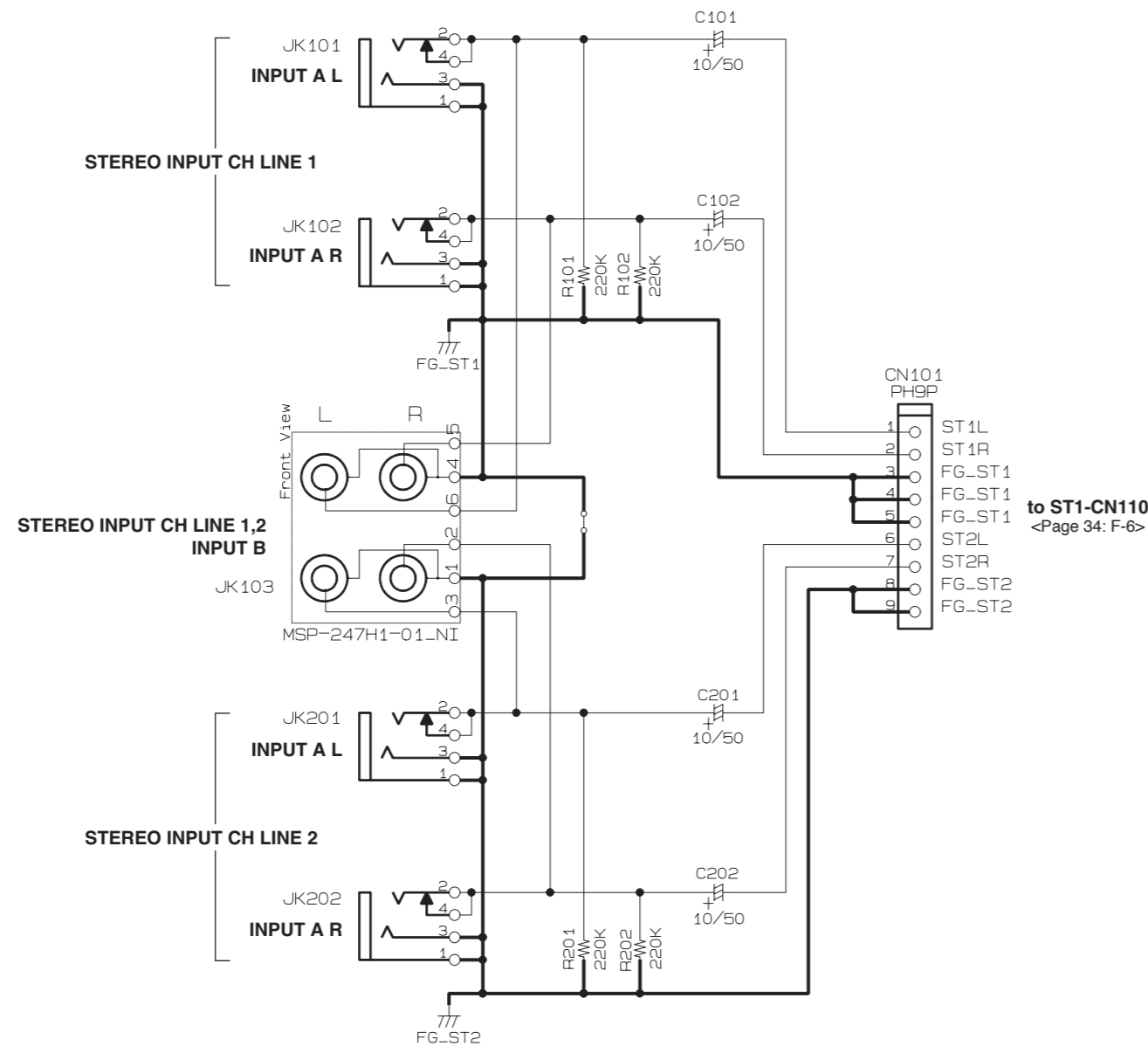
•2SA1037AK (VV556500) TRANSISTOR
Q812, Q813



XX : Not installed (未実装)
 (C) : Ceramic Capacitor (Chip) (チップセラミックコンデンサー)
 (R) : Chip Resistor (チップ抵抗)

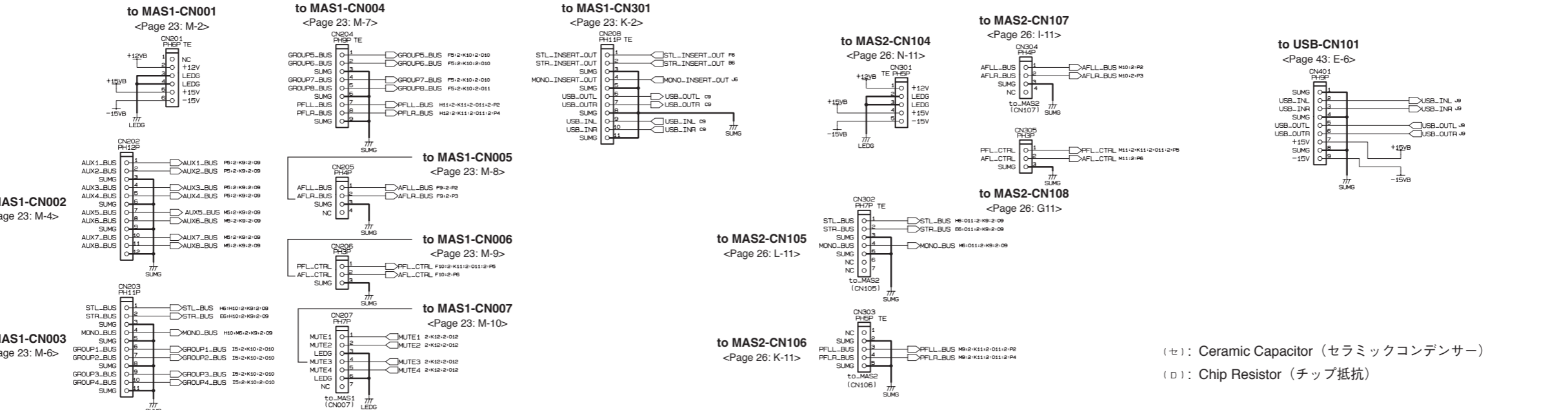
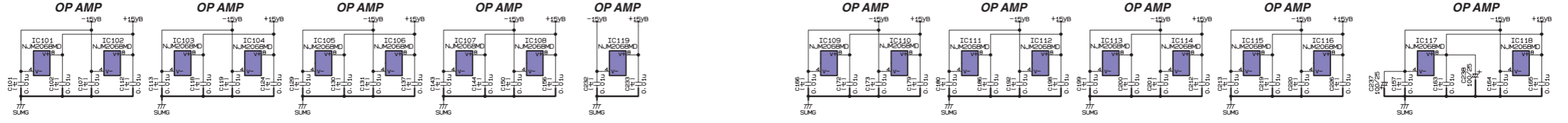
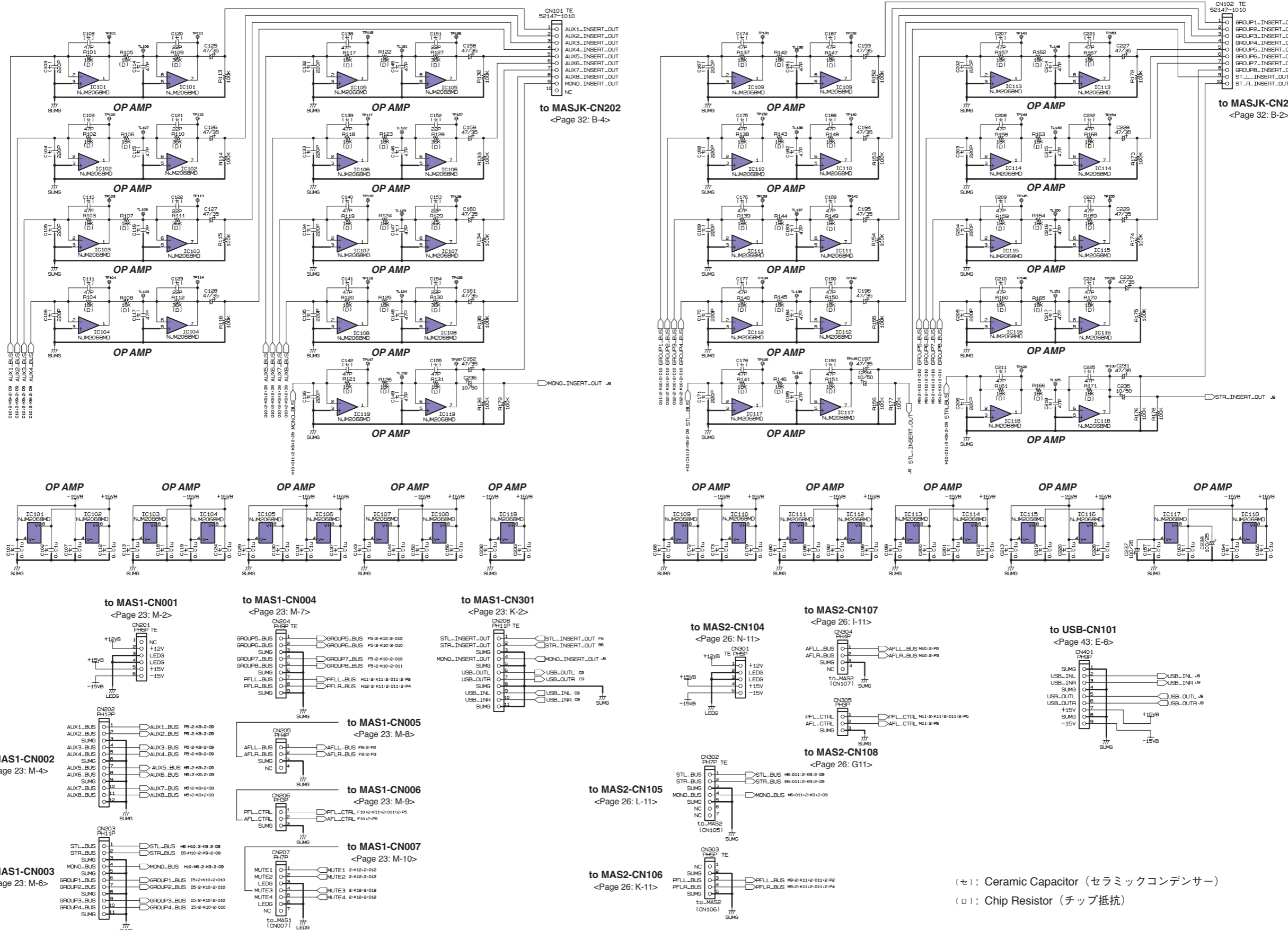
STJK CIRCUIT DIAGRAM (IM8-40/IM8-32/IM8-24)

IM8-40/IM8-32/IM8-24



SUM CIRCUIT DIAGRAM 001 (IM8-40/IM8-32/IM8-24)

IM8-40/IM8-32/IM8-24

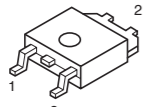


(セ) : Ceramic Capacitor (セラミックコンデンサー)
 (D) : Chip Resistor (チップ抵抗)

SUM CIRCUIT DIAGRAM 002 (IM8-40/IM8-32/IM8-24)

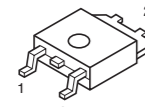
IM8-40/IM8-32/IM8-24

•NJM78M05DL1A (XS534A00)
REGULATOR +5V
IC801



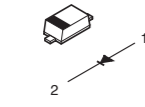
1: INPUT
2: GND
3: OUTPUT

•NJM79M05DL1A (X4822A00)
REGULATOR -5V
IC802



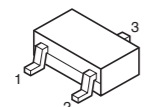
1: COMMON
2: INPUT
3: OUTPUT

•1SS355 TE-17 (VT332900)
DIODE
D301-303



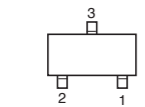
1: ANODE
2: CATHODE

•2SC3326 (VD303700)
TRANSISTOR
Q301, Q302

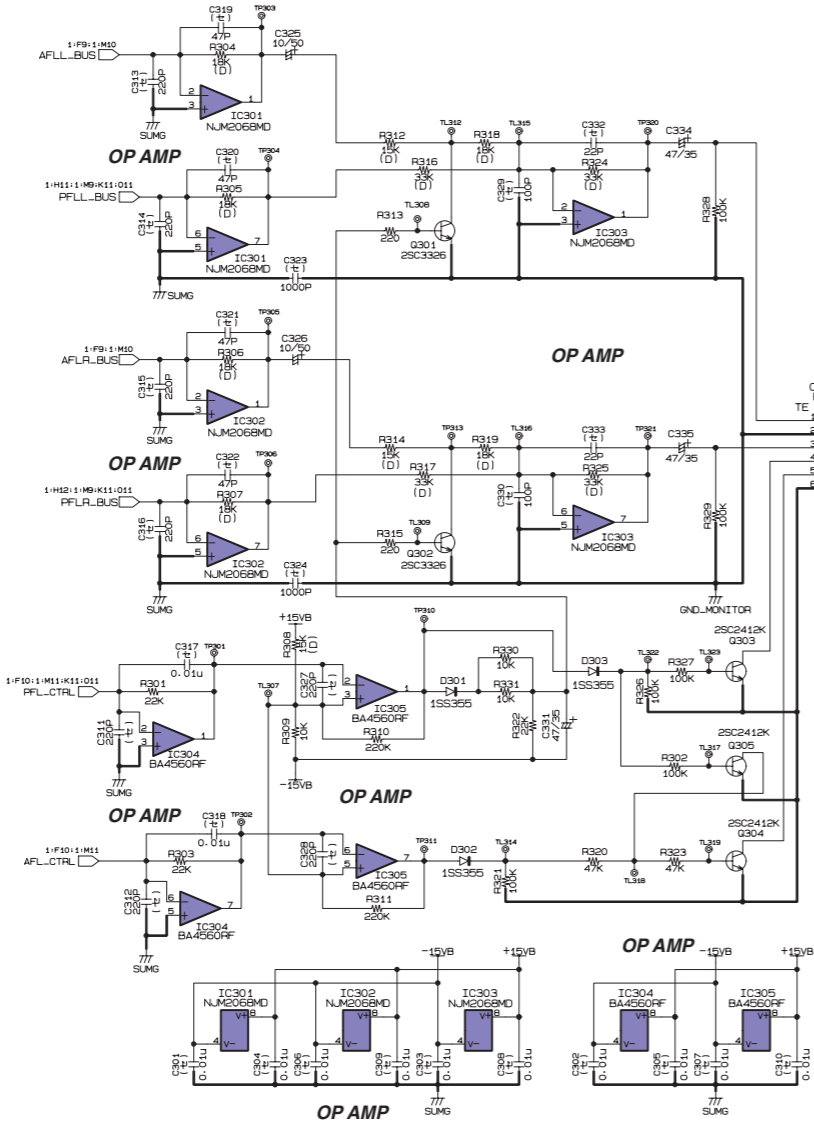


1: BASE
2: EMITTER
3: COLLECTOR

•2SC2412K (VV556400)
TRANSISTOR
Q303-305



1: EMITTER
2: BASE
3: COLLECTOR



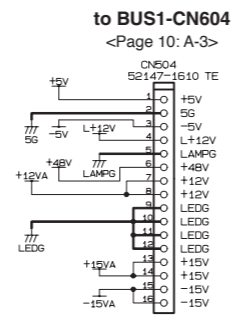
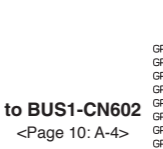
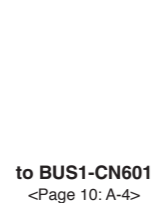
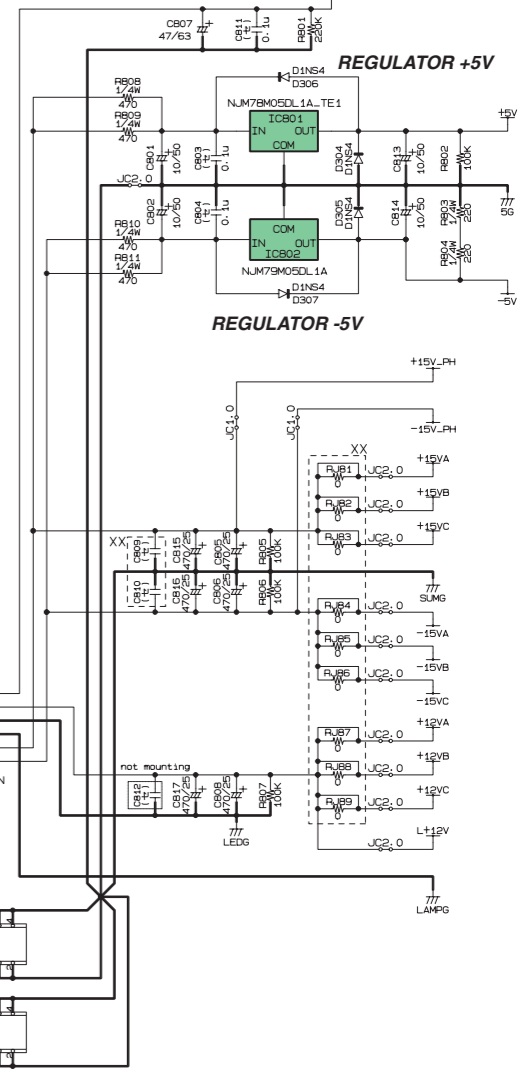
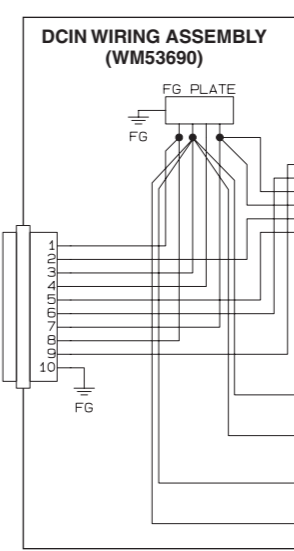
to MAS2-CN503
<Page 30: F-11>

to MAS2-CN502
<Page 30: M-9>

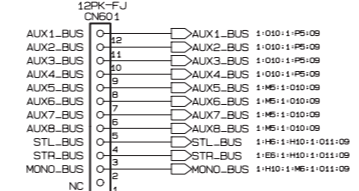
to PHONES-CN501
<Page 33: F-3>

to MAS1-CN304
<Page 23: K-3>

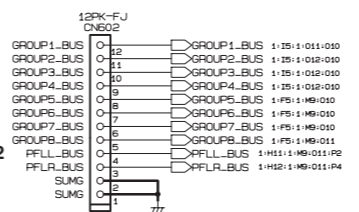
DC POWER INPUT



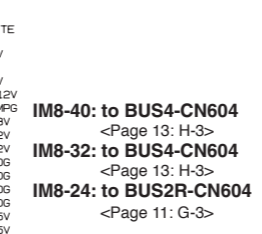
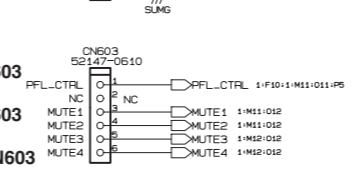
IM8-40: to BUS4-CN601 <Page 13: H-4>
IM8-32: to BUS4-CN601 <Page 13: H-4>
IM8-24: to BUS2R-CN601 <Page 11: G-4>



IM8-40: to BUS4-CN602
<Page 13: H-4>
IM8-32: to BUS4-CN602
<Page 13: H-4>
IM8-24: to BUS2R-CN602
<Page 11: G-5>



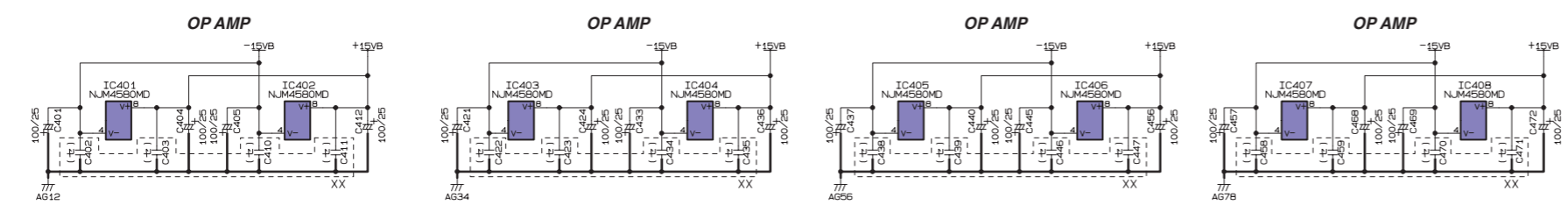
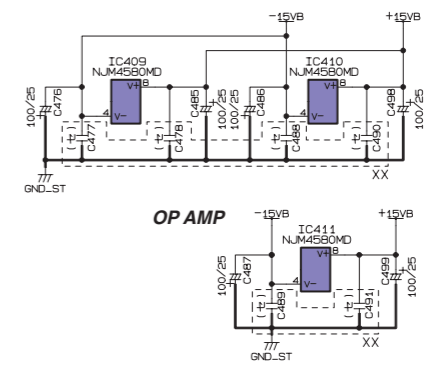
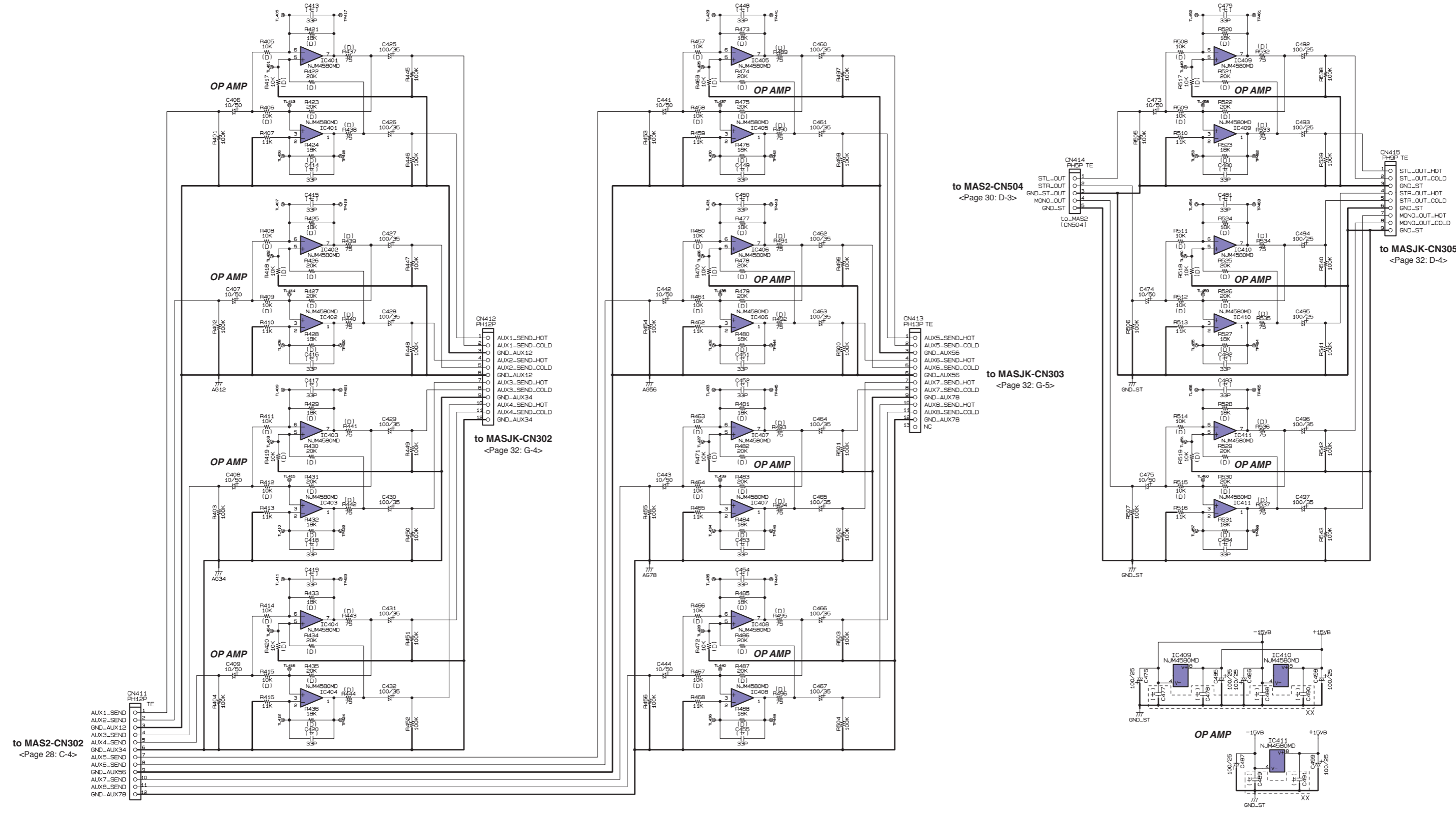
IM8-40: to BUS4-CN603
<Page 13: H-5>
IM8-32: to BUS4-CN603
<Page 13: H-5>
IM8-24: to BUS2R-CN603
<Page 11: G-5>



XX : Not installed (未実装)
(セ) : Ceramic Capacitor (セラミックコンデンサー)
(D) : Chip Resistor (チップ抵抗)
(フ) : Flame Proof C. Resistor (不燃化カーボン抵抗)

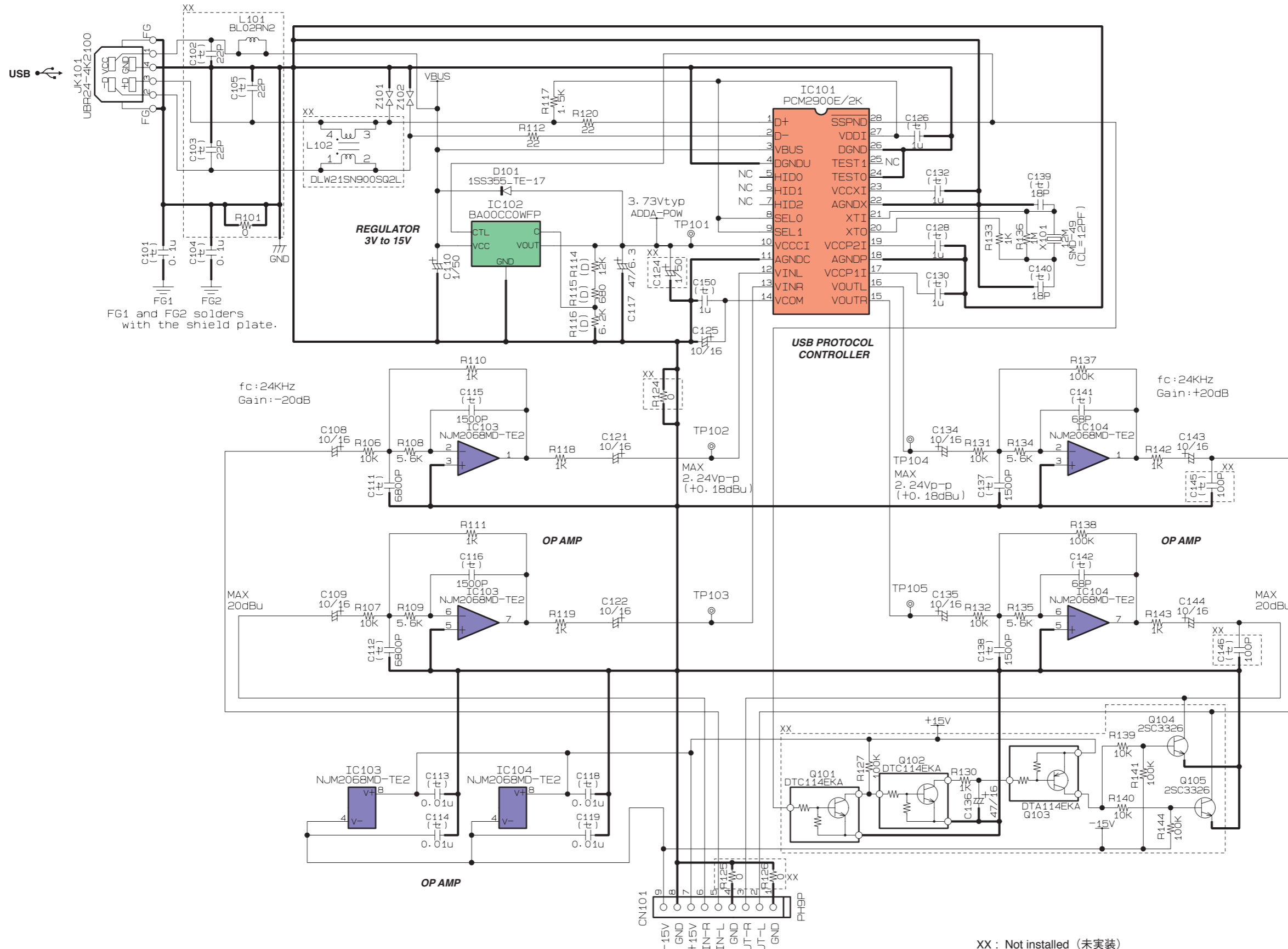
SUM CIRCUIT DIAGRAM 003 (IM8-40/IM8-32/IM8-24)

IM8-40/IM8-32/IM8-24



USB CIRCUIT DIAGRAM (IM8-40/IM8-32/IM8-24)

IM8-40/IM8-32/IM8-24



•BA00CC0WFP-E2 (X7256A00)
REGULATOR 3V to 15V
IC102

1: INPUT
2: NC
3: GND
4: OUTPUT1
5: OUTPUT2
6: GND (Fin)

•1SS355 TE-17 (VT332900)
DIODE
D101

1: ANODE
2: CATHODE

XX : Not installed (未実装)
(セラ) : Ceramic Capacitor (セラミックコンデンサー)

to SUM-CN401
<Page 40: D-9>

POWER SUPPLY PW8

SERVICE MANUAL



■ CONTENTS (目次)

SPECIFICATIONS (総合仕様)	3
DIMENSIONAL DIAGRAM (寸法図)	3
PANEL LAYOUT (パネルレイアウト)	4
CIRCUIT BOARD LAYOUT (ユニットレイアウト)	5
DISASSEMBLY PROCEDURE (分解手順)	6
IC BLOCK DIAGRAM (IC ブロック図)	10
CIRCUIT BOARDS (シート基板図)	10
PARTS LIST	
BLOCK DIAGRAM (ブロックダイアグラム)	
CIRCUIT DIAGRAM (回路図)	

IMPORTANT NOTICE

This manual has been provided for the use of authorized Yamaha Retailers and their service personnel. It has been assumed that basic service procedures inherent to the industry, and more specifically Yamaha Products, are already known and understood by the users, and have therefore not been restated.

WARNING : Failure to follow appropriate service and safety procedures when servicing this product may result in personal injury, destruction of expensive components and failure of the product to perform as specified. For these reasons, we advise all Yamaha product owners that all service required should be performed by an authorized Yamaha Retailer or the appointed service representative.

IMPORTANT : This presentation or sale of this manual to any individual or firm does not constitute authorization certification, recognition of any applicable technical capabilities, or establish a principal-agent relationship of any form.

The data provided is believed to be accurate and applicable to the unit(s) indicated on the cover. The research engineering, and service departments of Yamaha are continually striving to improve Yamaha products. Modifications are, therefore, inevitable and changes in specification are subject to change without notice or obligation to retrofit. Should any discrepancy appear to exist, please contact the distributor's Service Division.

WARNING : Static discharges can destroy expensive components. Discharge any static electricity your body may have accumulated by grounding yourself to the ground bus in the unit (heavy gauge black wires connect to this bus.)

IMPORTANT : Turn the unit OFF during disassembly and parts replacement. Recheck all work before you apply power to the unit.

WARNING: This product contains chemicals known to the State of California to cause cancer, or birth defects or other reproductive harm. DO NOT PLACE SOLDER, ELECTRICAL/ELECTRONIC OR PLASTIC COMPONENTS IN YOUR MOUTH FOR ANY REASON WHAT SO EVER! Avoid prolonged, unprotected contact between solder and your skin! When soldering, do not inhale solder fumes or expose eyes to solder/flux vapor!


If you come in contact with solder or components located inside the enclosure of this product, wash your hands before handling food.

IMPORTANT NOTICE FOR THE UNITED KINGDOM Connecting the Plug and Cord

WARNING: THIS APPARATUS MUST BE EARTHED
IMPORTANT. The wires in this mains lead are coloured in accordance with the following code:

GREEN-AND-YELLOW : EARTH
BLUE : NEUTRAL
BROWN : LIVE

As the colours of the wires in the mains lead of this apparatus may not correspond with the coloured markings identifying the terminals in your plug proceed as follows:


The wire which is coloured GREEN-and-YELLOW must be connected to the terminal in the plug which is marked by the letter E or by the safety earth symbol  or colored GREEN or GREEN-and-YELLOW.

The wire which is coloured BLUE must be connected to the terminal which is marked with the letter N or coloured BLACK.

The wire which is coloured BROWN must be connected to the terminal which is marked with the letter L or coloured RED.

• This applies only to products distributed by Yamaha Music U.K. Ltd. (3 wires)

WARNING

Components having special characteristics are marked  and must be replaced with parts having specification equal to those originally installed.



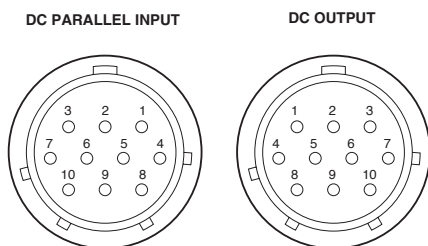
印の部品は、安全を維持するために重要な部品です。交換する場合は、安全のために必ず指定の部品をご使用ください。

SPECIFICATIONS (総合仕様)

General Specifications

Secondary Voltage	+15V	Green LED: On (+15 V), Off (less than +10 V or more than +21 V)
	-15V	Green LED: On (-15 V), Off (less than -21 V or more than -10 V)
	+12V	Green LED: On (+12 V), Off (less than +7.6 V or more than +18 V)
	+48V (Phantom Voltage)	Green LED: On (+48 V), Off (less than +32 V)
Power Consumption	265 W (IM8-40), 230 W (IM8-32), 200 W (IM8-24)	
Dimensions	Height: 100.5 mm, Depth: 412 mm, Width: 480 mm	
Net Weight	11 kg	

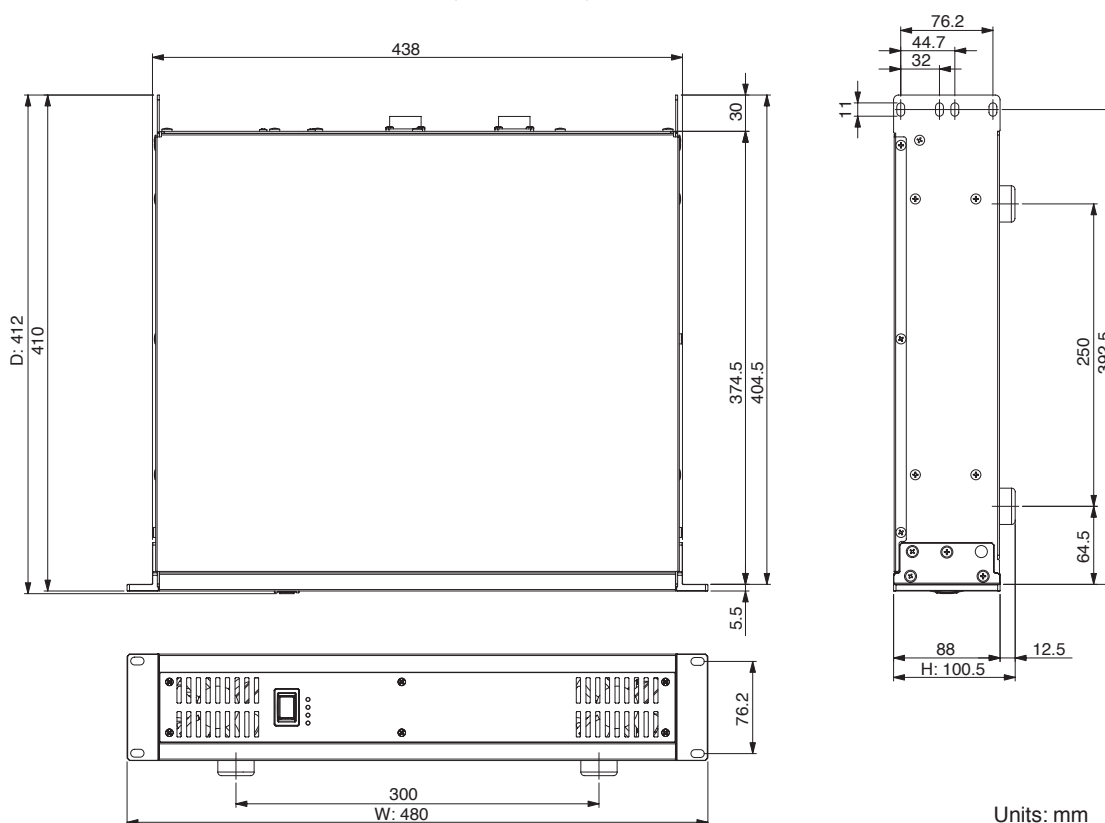
Power Connector Pin Diagram



Power Supply Cable Pin Assignments

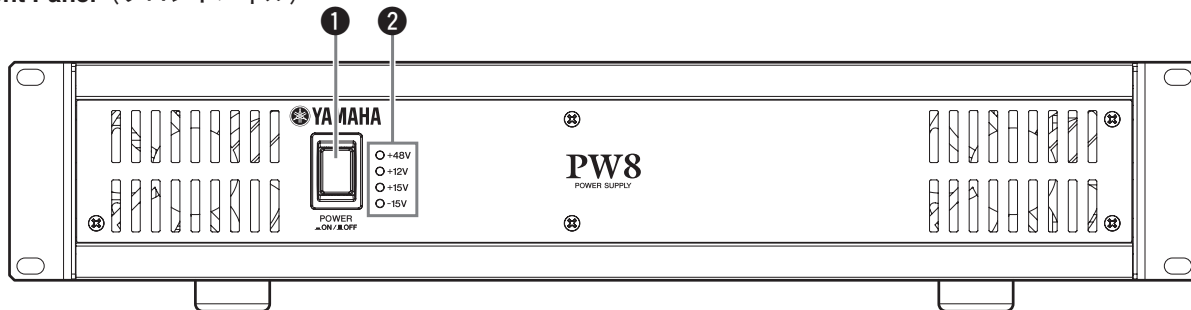
No.	Function
1	Power supply remote
2	+15 V
3	±15 V GND
4	+48 V GND
5	-15 V
6	+12 V
7	+12 V GND/power supply remote
8	Power supply remote
9	+48 V
10	FRAME GND

DIMENSIONAL DIAGRAM (寸法図)



PANEL LAYOUT (パネルレイアウト)

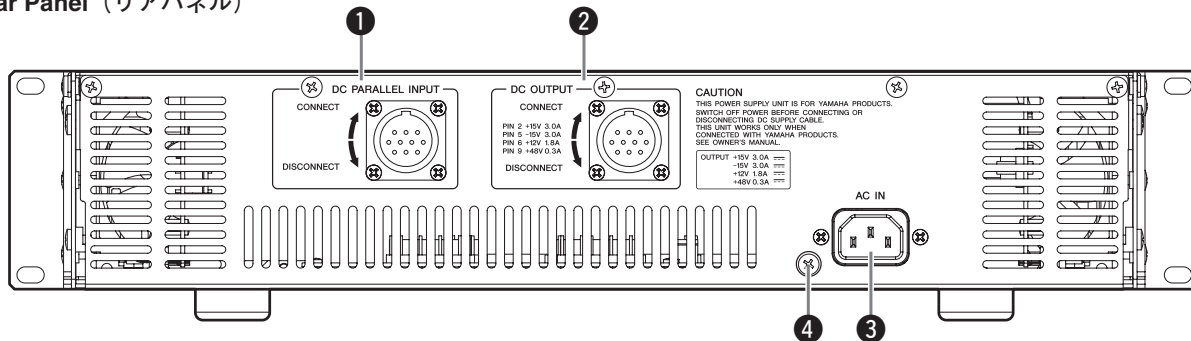
Front Panel (フロントパネル)



- ① POWER Switch
- ② Operation Monitor
(+48V, +12V, +15V, -15V)

- ① POWER スイッチ
- ② オペレーションモニター
(+48V、+12V、+15V、-15V)

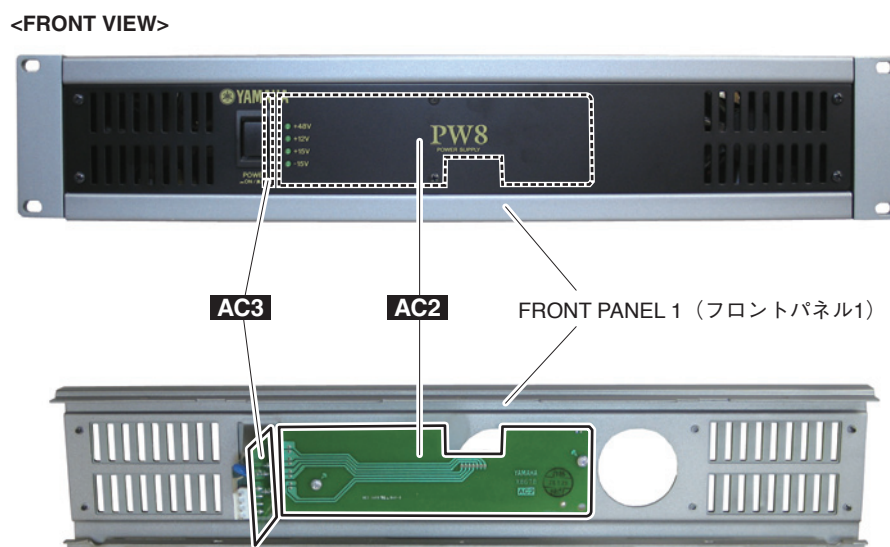
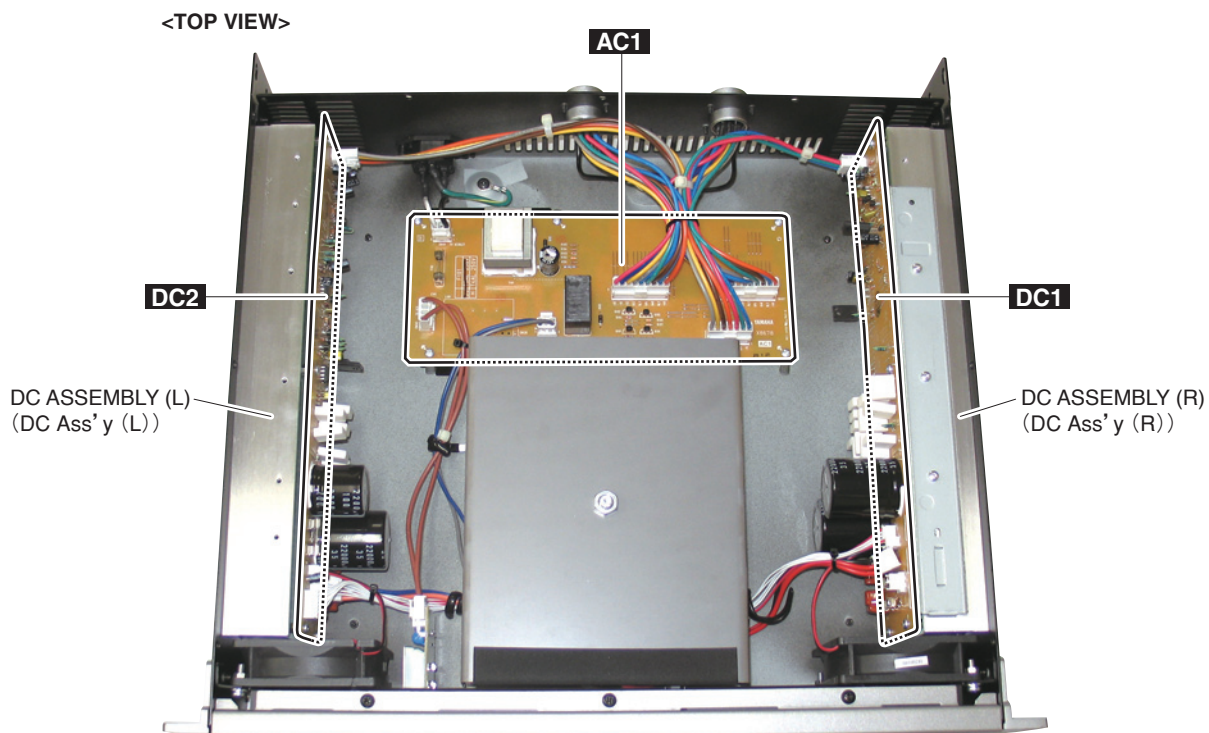
Rear Panel (リアパネル)



- ① DC PARALLEL INPUT Connector
- ② DC OUTPUT Connector
- ③ AC IN Connector
- ④ Ground Screw Terminal

- ① DC PARALLEL INPUT 端子
- ② DC OUTPUT 端子
- ③ AC IN 端子
- ④ アース用ネジ

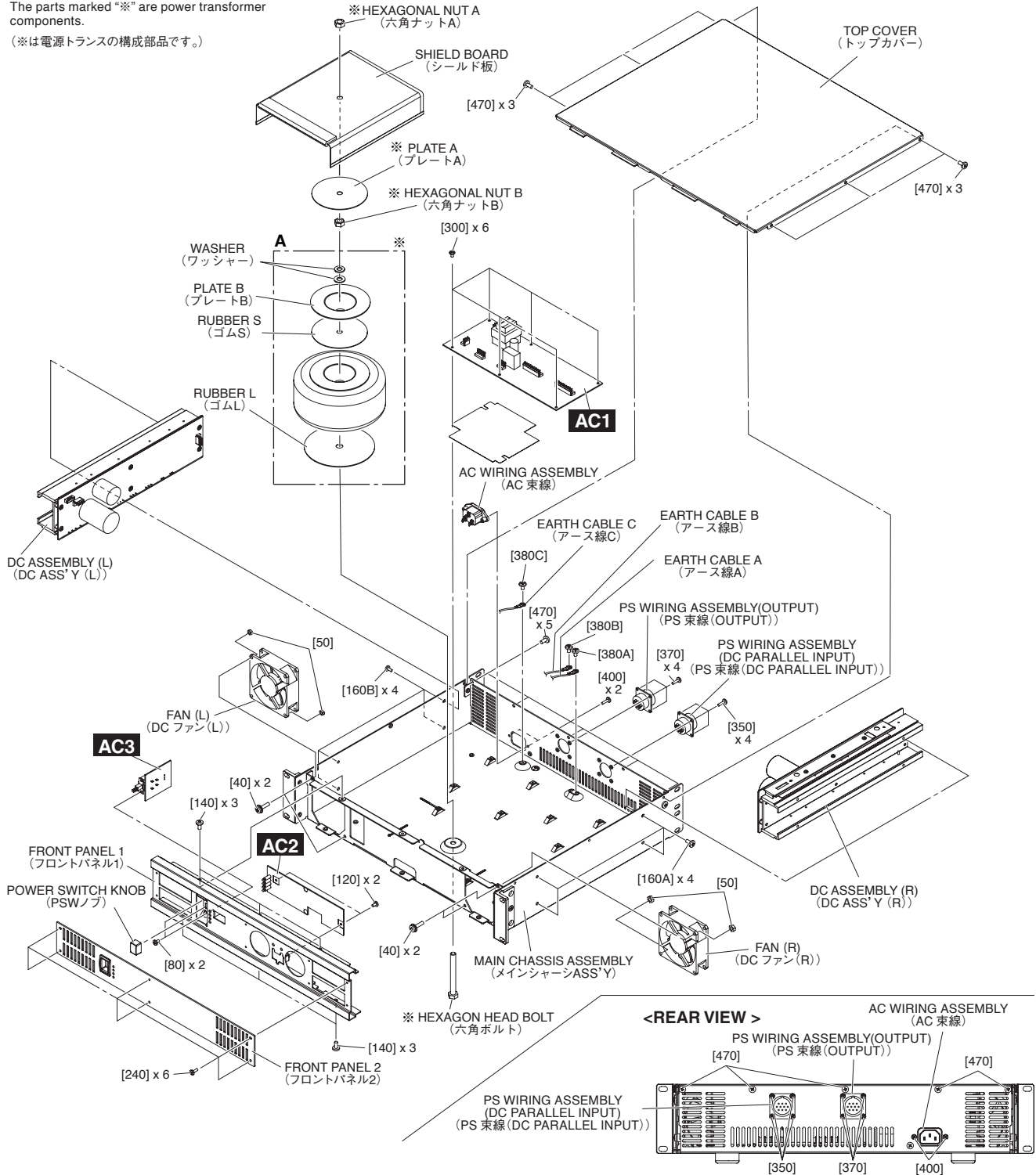
■ CIRCUIT BOARD LAYOUT (ユニットレイアウト)



DISASSEMBLY PROCEDURE (分解手順)

The parts marked "※" are power transformer components.

(※は電源トランスの構成部品です。)



- [40]: BIND HEAD SCREW (小ネジ+BIND) 4.0X16 MFZN2W3 SP (WE98400R)
- [50]: HEXAGONAL NUT (ナット 六角) M4 #1 (WG169200)
- [80]: BIND HEAD TAPPING SCREW-S (Sタイト+BIND) 3.0X5 MFZN2W3 (WE98020R)
- [120]: BIND HEAD TAPPING SCREW-S (Sタイト+BIND) 3.0X5 MFZN2W3 (WE98020R)
- [140]: BIND HEAD TAPPING SCREW-B (Bタイト+BIND) 4.0X8 MFZN2B3 (WE962000)
- [160]: BIND HEAD TAPPING SCREW-B (Bタイト+BIND) 4.0X8 MFZN2B3 (WE962000)
- [240]: BIND HEAD TAPPING SCREW-S (Sタイト+BIND) 3.0X8 MFZN2B3 (WF25750R)
- [300]: BIND HEAD TAPPING SCREW-S (Sタイト+BIND) 3.0X5 MFZN2W3 (WE98020R)
- [350]: BIND HEAD TAPPING SCREW-B (Bタイト+BIND) 3.0X10 MFZN2B3 (WE972200)
- [370]: BIND HEAD TAPPING SCREW-B (Bタイト+BIND) 3.0X10 MFZN2B3 (WE972200)
- [380]: BIND HEAD TAPPING SCREW-S (Sタイト+BIND) 4.0X6 MFZN2B3 (WE974300)
- [400]: BIND HEAD TAPPING SCREW-B (Bタイト+BIND) 3.0X10 MFZN2B3 (WE972200)
- [470]: BIND HEAD TAPPING SCREW-B (Bタイト+BIND) 4.0X8 MFZN2B3 (WE962000)

Fig. 1 (図1)

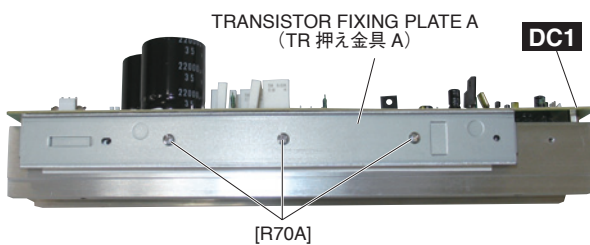
1. **Top Cover (Time required: About 2 minutes)**
Remove the eleven (11) screws marked [470]. The top cover can then be removed. (Fig. 1)
2. **Power Transformer (Time required: About 3 minutes)**
 - 2-1 Remove the top cover. (See procedure 1.)
 - 2-2 Remove the hexagonal nut A. The shield board and plate A can then be removed. (Fig. 1)
 - 2-3 Remove the hexagonal nut B and remove the hexagon bolt from the bottom side of the main chassis assembly. The parts marked "A" can then be removed. (Fig. 1)
3. **DC Assembly**
 - 3-1 Remove the top cover. (See procedure 1.)
 - 3-2 **DC1 Circuit Board (Time required: About 5 minutes)**
 - 3-2-1 Remove the four (4) screws marked [160A]. The DC assembly (R) can then be removed. (Fig. 1)
 - 3-2-2 Remove the three (3) screws marked [R70A]. The transistor fixing plate A can then be removed. (Photo 1)
 - 3-2-3 Remove the four (4) screws marked [R70B]. The transistor fixing plate B can then be removed. (Photo 2)
 - 3-2-4 Remove the six (6) screws marked [R40] and the screw marked [R70C]. The DC1 circuit board can then be removed. (Photo 2, Photo 3)

* **The diode stack and transistor of the DC1 circuit board are in close contact with the insulation sheet. (Photo 4, Photo 5)**

1. **トップカバー (所要時間: 約 2 分)**
[470] のネジ 11 本を外し、トップカバーを外します。(図 1)
2. **電源トランス (所要時間: 約 3 分)**
 - 2-1 トップカバーを外します。(1 項参照)
 - 2-2 六角ナット A を外し、シールド板とプレート A を外します。(図 1)
 - 2-3 六角ナット B と、メインシャーシ Ass'y の底面側から六角ボルトを外し、図 1 の A の部分を外します。(図 1)
3. **DC 電源セット**
 - 3-1 トップカバーを外します。(1 項参照)
 - 3-2 **DC1 シート (所要時間: 約 5 分)**
 - 3-2-1 [160A] のネジ 4 本を外し、DC Ass'y R を外します。(図 1)
 - 3-2-2 [R70A] のネジ 3 本を外し、TR 押え金具 A を外します。(写真 1)
 - 3-2-3 [R70B] のネジ 4 本を外し、TR 押え金具 B を外します。(写真 2)
 - 3-2-4 [R40] のネジ 6 本と [R70C] のネジ 1 本を外し、DC1 シートを外します。(写真 2、写真 3)

※ DC1 シートのダイオードスタックおよびトランジスタは放熱シートに密着しています。(写真 4、写真 5)

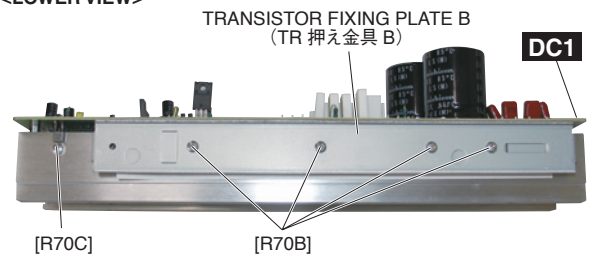
• DC ASSEMBLY (R)(DC ASS'Y (R))
<TOP VIEW>



[R70A]: BIND HEAD SCREW (小ネジ+B I N D)
3.0X10 MFZN2W3 (WE95290R)

Photo 1 (写真1)

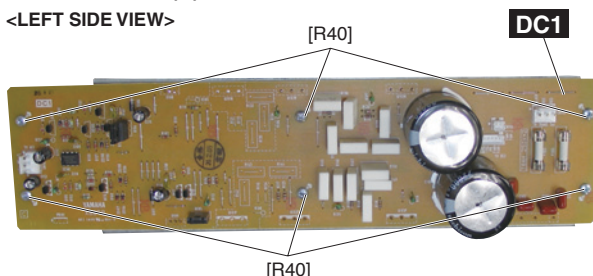
• DC ASSEMBLY (R)(DC ASS'Y (R))
<LOWER VIEW>



[R70]: BIND HEAD SCREW (小ネジ+B I N D)
3.0X10 MFZN2W3 (WE95290R)

Photo 2 (写真2)

• DC ASSEMBLY (R)(DC ASS'Y (R))
<LEFT SIDE VIEW>



[R40]: BIND HEAD SCREW (小ネジ+B I N D)
3.0X6 MFZN2W3 (WE774000)

Photo 3 (写真3)

• DC ASSEMBLY (R)(DC ASS'Y (R))
<TOP VIEW>

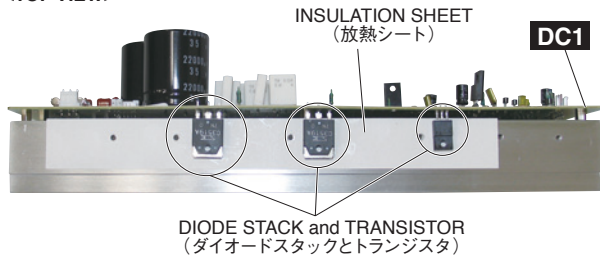


Photo 4 (写真4)

• DC ASSEMBLY (R)(DC ASS'Y (R))
<LOWER VIEW>

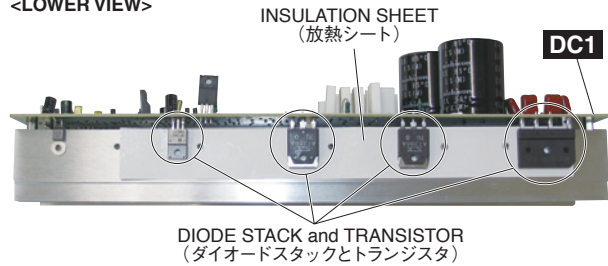


Photo 5 (写真5)

3-3 DC2 Circuit Board

(Time required: About 5 minutes)

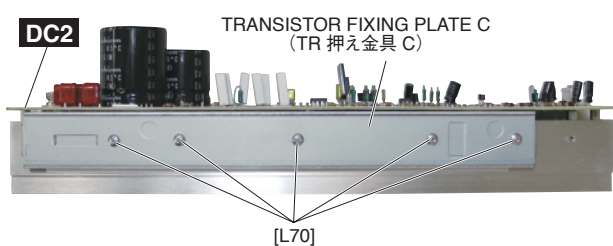
- 3-3-1 Remove the four (4) screws marked [160B]. The DC assembly (L) can then be removed. (Fig. 1)
- 3-3-2 Remove the five (5) screws marked [L70]. The transistor fixing plate C can then be removed. (Photo 6)
- 3-3-3 Remove the six (6) screws marked [L40]. The DC2 circuit board can then be removed. (Photo 7)

* **The diode stack and transistor of the DC2 circuit board are in close contact with the insulation sheet. (Photo 8)**

3-3 DC2 シート (所要時間: 約 5 分)

- 3-3-1 [160B] のネジ 4 本を外し、DC Ass'y L を外します。(図 1)
 - 3-3-2 [L70] のネジ 5 本を外し、TR 押え金具 C を外します。(写真 6)
 - 3-3-3 [L40] のネジ 6 本を外し、DC2 シートを外します。(写真 7)
- ※ DC2 シートのダイオードスタックおよびトランジスタは放熱シートに密着しています。(写真 8)

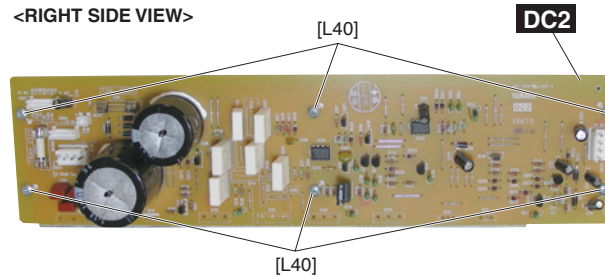
• DC ASSEMBLY (L)(DC ASS'Y (L))
<LOWER VIEW>



[L70]: BIND HEAD SCREW (小ネジ+B I N D)
3.0X10 MFZN2W3 (WE95290R)

Photo 6 (写真6)

• DC ASSEMBLY (L)(DC ASS'Y (L))
<RIGHT SIDE VIEW>



[L40]: BIND HEAD SCREW (小ネジ+B I N D)
3.0X6 MFZN2W3 (WE774000)

Photo7 (写真7)

• DC ASSEMBLY (L)(DC ASS'Y (L))
<LOWER VIEW>

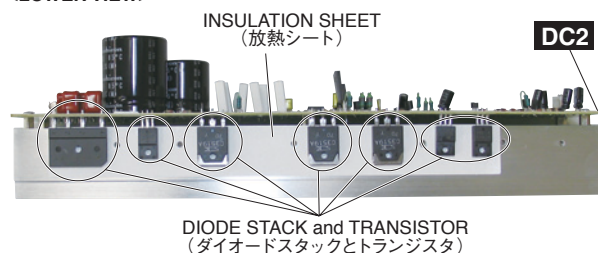


Photo 8 (写真8)

4. AC1 Circuit Board

(Time required: About 3 minutes)

- 4-1 Remove the top cover. (See procedure 1.)
- 4-2 Remove the six (6) screws marked [300]. The AC1 circuit board can then be removed. (Fig. 1)

5. PS Wiring Assembly

- 5-1 Remove the top cover. (See procedure 1.)
- 5-2 **DC PARALLEL INPUT**
(Time required: About 3 minutes)
 - 5-2-1 Remove the screw marked [380A]. The earth cable A can then be removed. (Fig. 1)
 - 5-2-2 Remove the four (4) screws marked [350]. The DC wiring assembly (DC PARALLEL INPUT) can then be removed. (Fig. 1)
- 5-3 **DC OUTPUT (Time required: About 3 minutes)**
 - 5-3-1 Remove the screw marked [380B]. The earth cable B can then be removed. (Fig. 1)
 - 5-3-2 Remove the four (4) screws marked [370]. The DC wiring assembly (OUTPUT) can then be removed. (Fig. 1)

6. AC Wiring Assembly

(Time required: About 3 minutes)

- 6-1 Remove the top cover. (See procedure 1.)
- 6-2 Remove the screw marked [380C]. The earth cable C can then be removed. (Fig. 1)
- 6-3 Remove the two (2) screws marked [400]. The AC wiring assembly can then be removed. (Fig. 1)

7. AC3 Circuit Board

(Time required: About 4 minutes)

- 7-1 Remove the top cover. (See procedure 1.)
- 7-2 Remove the six (6) screws marked [240]. The front panel 2 can then be removed. (Fig. 1)
- 7-3 Remove the power switch knob from the AC3 circuit board. (Fig. 1)
- 7-4 Remove the two (2) screws marked [80]. The AC3 circuit board can then be removed. (Fig. 1)

8. AC2 Circuit Board

(Time required: About 4 minutes)

- 8-1 Remove the top cover. (See procedure 1.)
- 8-2 Remove the six (6) screws marked [140]. The front panel 1 can then be removed. (Fig. 1)
- 8-3 Remove the two (2) screws marked [120]. The AC2 circuit board can then be removed. (Fig. 1)

9. Fan (L,R) (Time required: About 5 minutes)

- 9-1 Remove the top cover. (See procedure 1.)
- 9-2 Remove the six (6) screws marked [140]. The front panel 1 can then be removed. (Fig. 1)
- 9-3 Remove the two (2) screws marked [40] and two (2) hexagonal nuts marked [50]. The fan (L) can then be removed. (Fig. 1)

* **The fan (R) can be removed in the same way.**

4. AC1 シート (所要時間: 約 3 分)

- 4-1 トップカバーを外します。(1 項参照)
- 4-2 [300] のネジ 6 本を外し、AC1 シートを外します。(図 1)

5. PS 束線

- 5-1 トップカバーを外します。(1 項参照)
- 5-2 **DC PARALLEL INPUT (所要時間: 約 3 分)**
 - 5-2-1 [380A] のネジ 1 本を外し、アース線 A を外します。(図 1)
 - 5-2-2 [350] のネジ 4 本を外し、DC 束線 (DC PARALLEL INPUT) を外します。(図 1)
- 5-3 **DC OUTPUT (所要時間: 約 3 分)**
 - 5-3-1 [380B] のネジ 1 本を外し、アース線 B を外します。(図 1)
 - 5-3-2 [370] のネジ 4 本を外し、DC 束線 (OUTPUT) を外します。(図 1)

6. AC 束線 (所要時間: 約 3 分)

- 6-1 トップカバーを外します。(1 項参照)
- 6-2 [380C] のネジ 1 本を外し、アース線 C を外します。(図 1)
- 6-3 [400] のネジ 2 本を外し、AC 束線を外します。(図 1)

7. AC3 シート (所要時間: 約 4 分)

- 7-1 トップカバーを外します。(1 項参照)
- 7-2 [240] のネジ 6 本を外し、フロントパネル 2 を外します。(図 1)
- 7-3 PSW ノブを AC3 シートから外します。(図 1)
- 7-4 [80] のネジ 2 本を外し、AC3 シートを外します。(図 1)

8. AC2 シート (所要時間: 約 4 分)

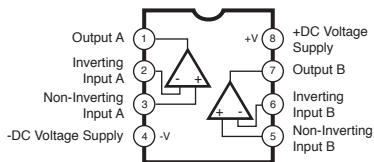
- 8-1 トップカバーを外します。(1 項参照)
- 8-2 [140] のネジ 6 本を外し、フロントパネル 1 を外します。(図 1)
- 8-3 [120] のネジ 2 本を外し、AC2 シートを外します。(図 1)

9. DC ファン (L・R) (所要時間: 約 5 分)

- 9-1 トップカバーを外します。(1 項参照)
 - 9-2 [140] のネジ 6 本を外し、フロントパネル 1 を外します。(図 1)
 - 9-3 [40] のネジ 2 本と [50] の六角ナット 2 個を外し、DC ファン (L) を外します。(図 1)
- ※ DC ファン (R) も同じ手順で外せます。

■ IC BLOCK DIAGRAM (IC ブロック図)

- **μPC4570C** (XC520A00)
 DC1: IC101
 DC2: IC201, IC202
 Dual Operational Amplifier



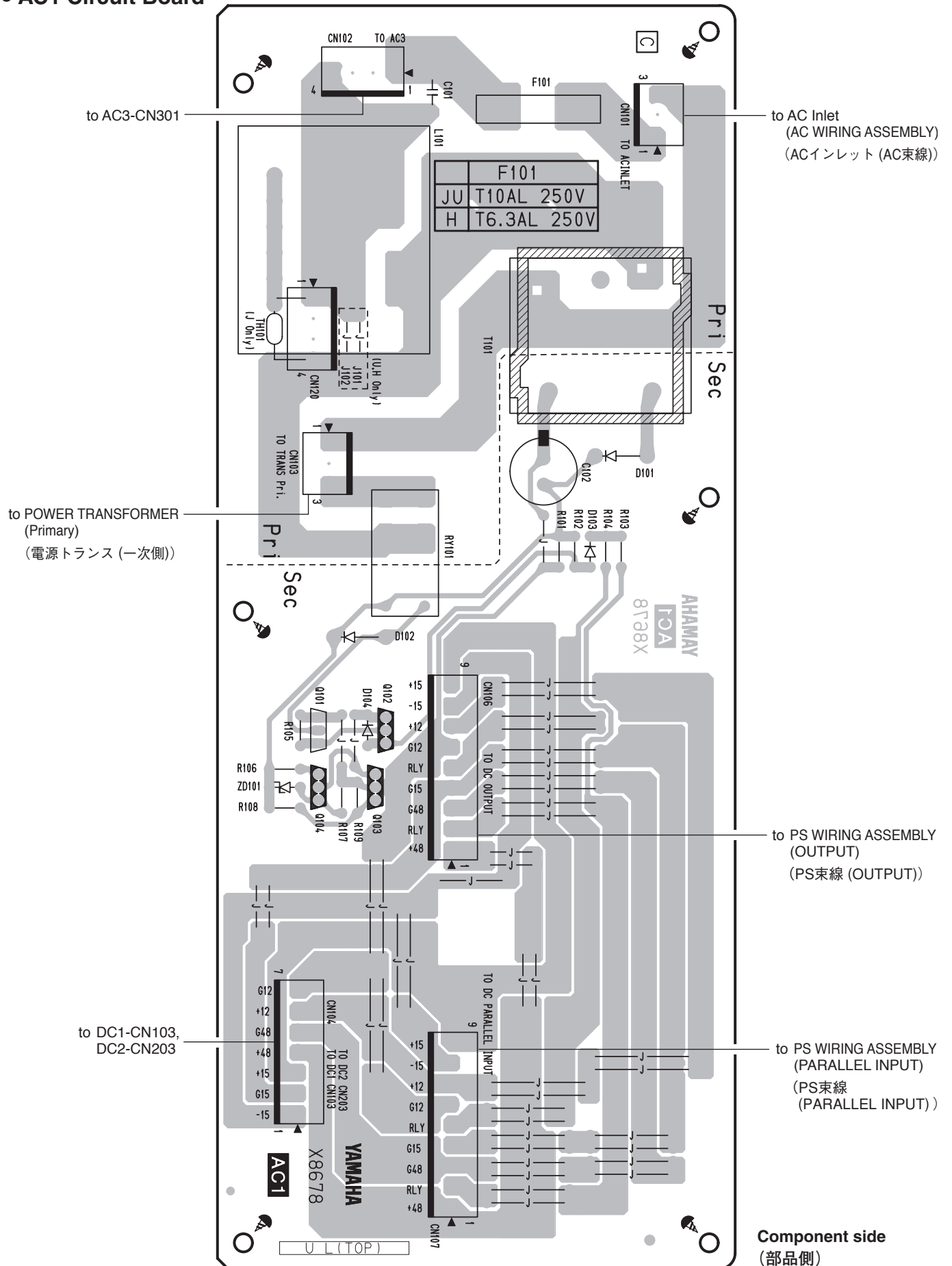
■ CIRCUIT BOARDS (シート基板図)

AC1 Circuit Board (X8678C0)	11
AC2 Circuit Board (X8678C0)	12
AC3 Circuit Board (X8678C0)	12
DC1 Circuit Board (X8679D0)	13
DC2 Circuit Board (X8679D0)	14

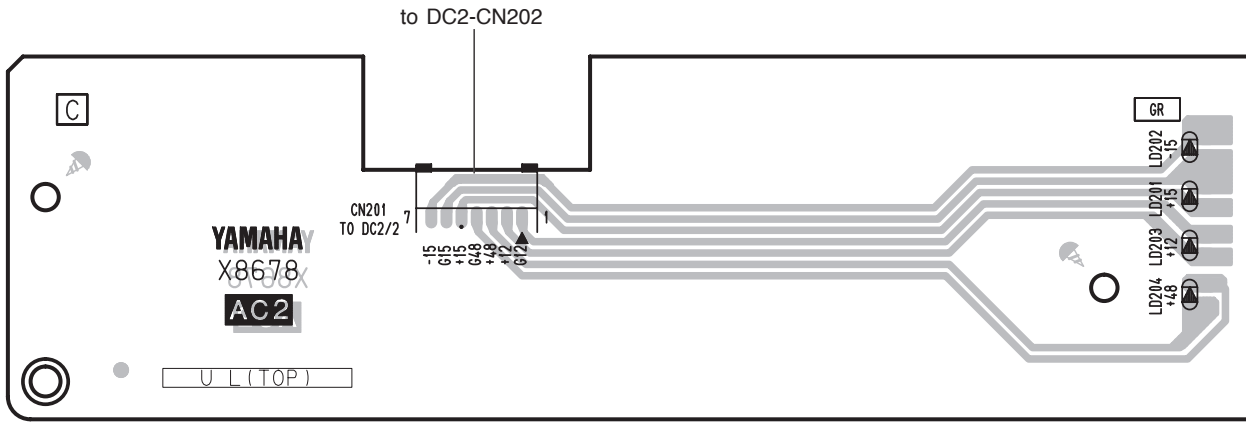
Note: See parts list for details of circuit board component parts.

注： シートの部品詳細はパーツリストをご参照ください。

● AC1 Circuit Board

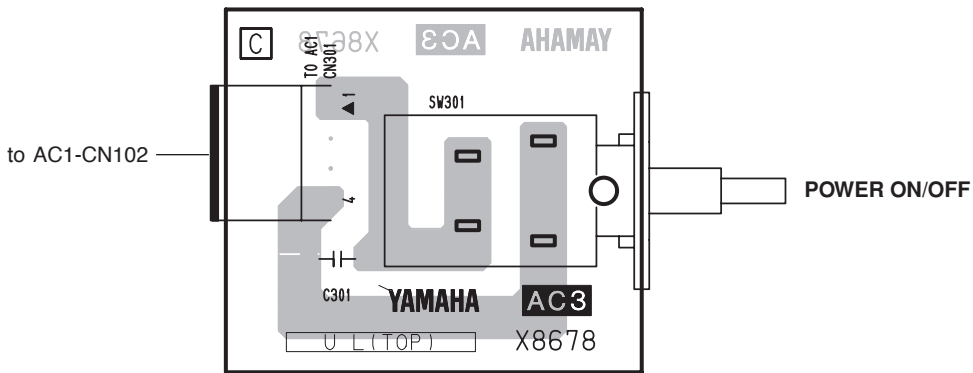


● AC2 Circuit Board



Component side (部品側)

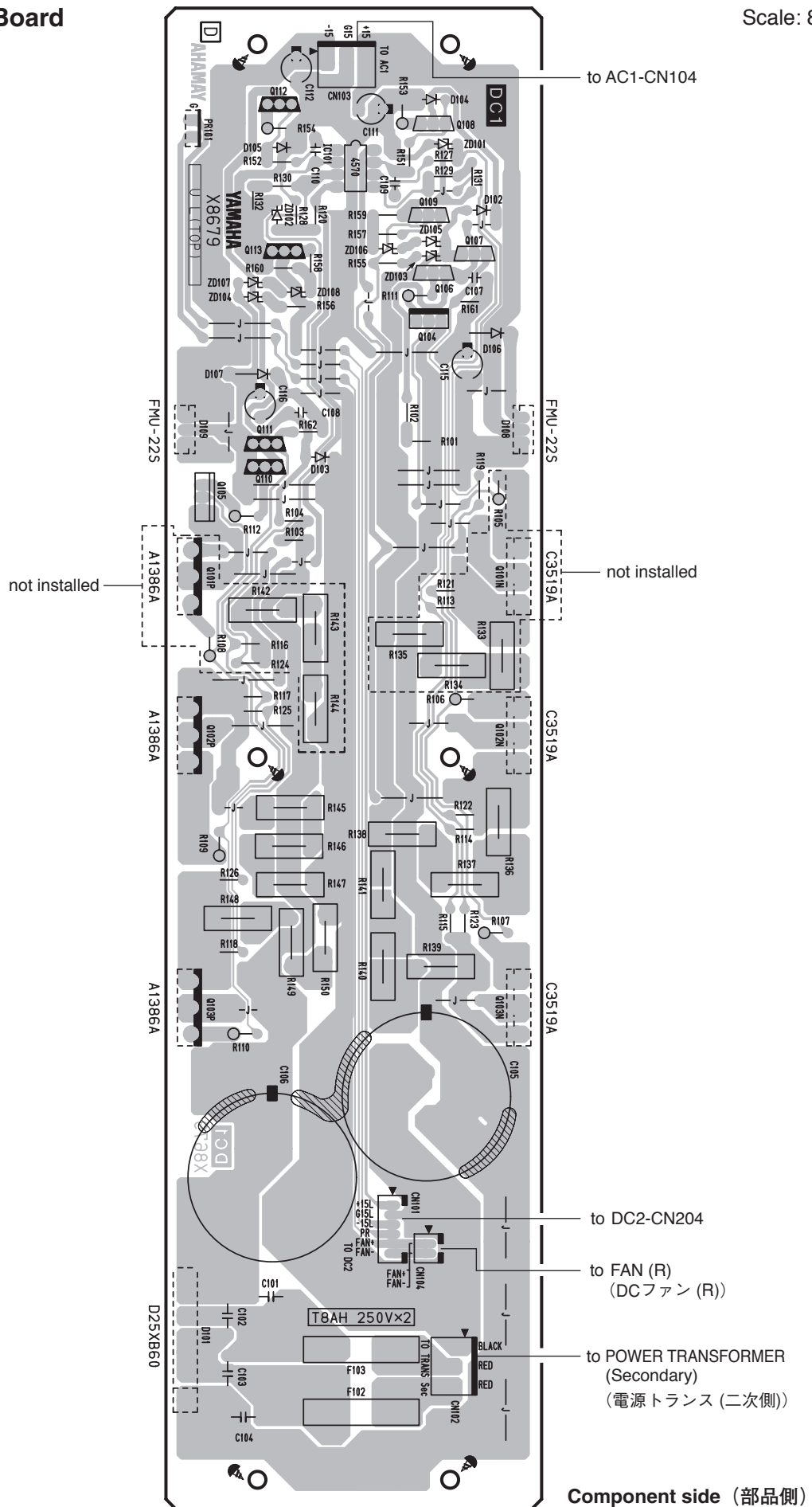
● AC3 Circuit Board



Component side (部品側)

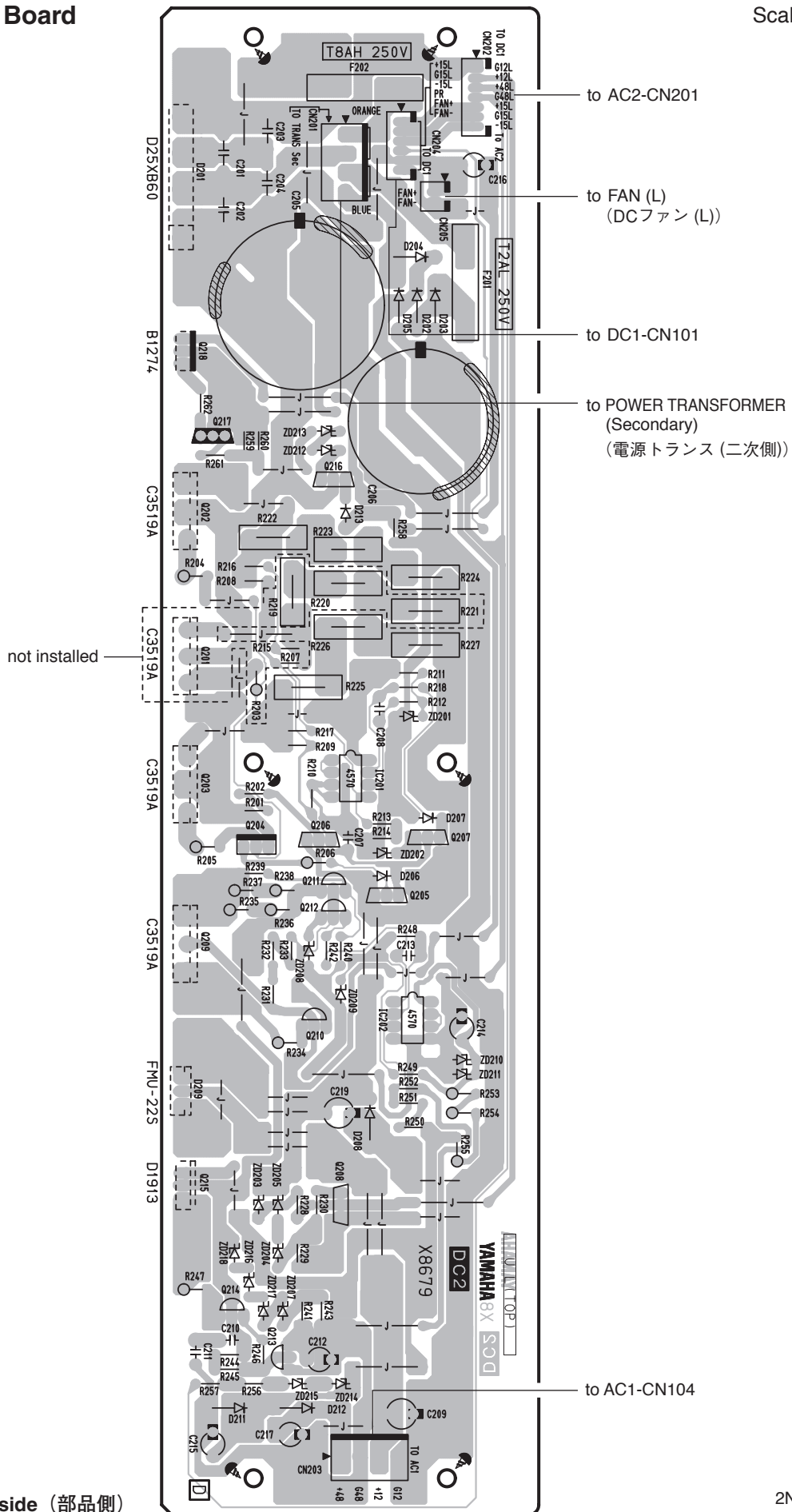
● DC1 Circuit Board

Scale: 80/100



● DC2 Circuit Board

Scale: 80/100



POWER SUPPLY

PW8

PARTS LIST


■ CONTENTS (目次)


OVERALL ASSEMBLY (総組立)	2
DC ASSEMBLY L (DC Ass'y L)	6
DC ASSEMBLY R (DC Ass'y R)	7
ELECTRICAL PARTS (電気部品)	8-12

Notes : DESTINATION ABBREVIATIONS

A : Australian model	M : South African model
B : British model	O : Chinese model
C : Canadian model	Q : South-east Asia model
D : German model	T : Taiwan model
E : European model	U : U.S.A. model
F : French model	V : General export model (110V)
H : North European model	W : General export model (220V)
I : Indonesian model	N,X : General export model
J : Japanese model	Y : Export model
K : Korean model	

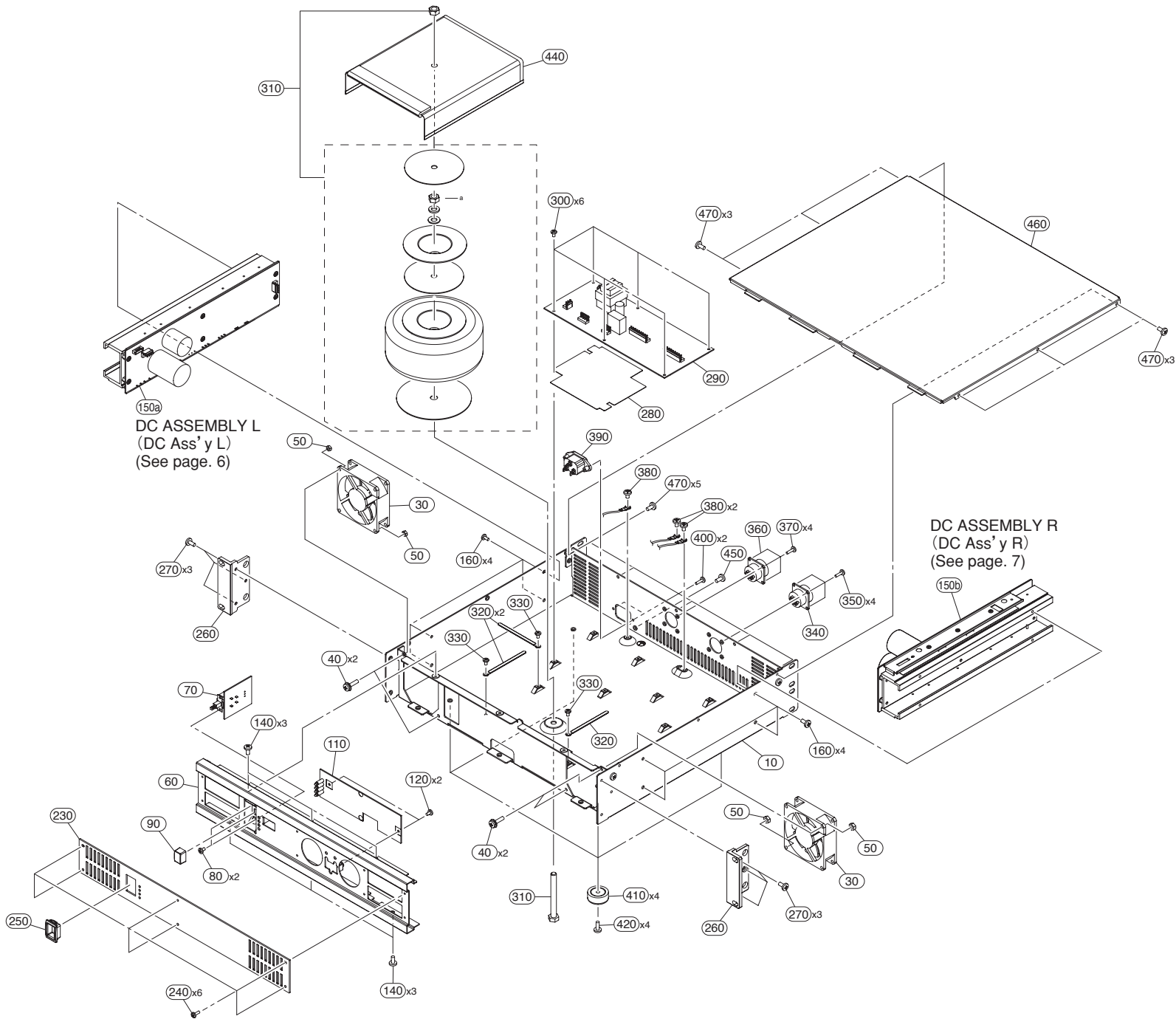
■ WARNING

Components having special characteristics are marked  and must be replaced with parts having specification equal to those originally installed.

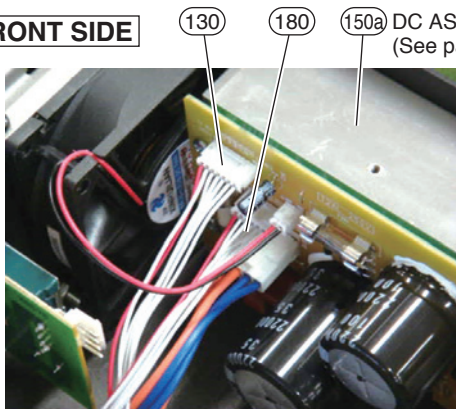
 印の部品は、安全を維持するために重要な部品です。交換する場合は、安全のために必ず指定の部品をご使用ください。

- The numbers "QTY" show quantities for each unit.
- The parts with "--" in "PART NO." are not available as spare parts.
- This mark "}" in the REMARKS column means these parts are interchangeable.
- The second letter of the shaded (■) part number is O, not zero.
- The second letter of the shaded (■) part number is I, not one.
- 部品価格ランクは、変更になることがあります。
- QTY 欄に記載されている数字は、各ユニット当たりの使用個数です。
- PART NO. が "--" の部品は、サービス用部品として準備されておりません。
- REMARKS 欄の「}」マークの部品は、併用部品です。
- 網掛けの付いた PART NO. の 2 番目の文字は「ゼロ」ではなく、「オー」です。
- 網掛けの付いた PART NO. の 2 番目の文字は「イチ」ではなく、「アイ」です。

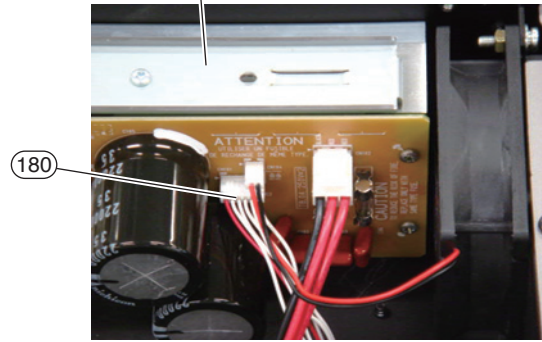
OVERALL ASSEMBLY (総組立)



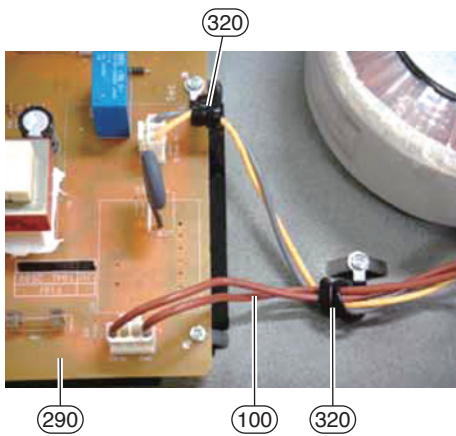
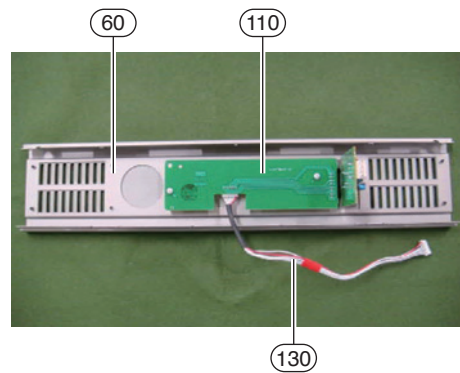
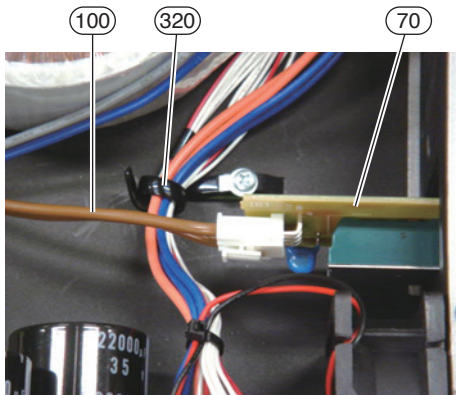
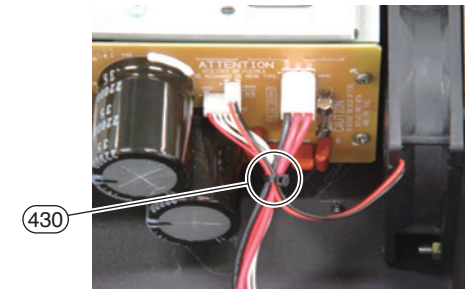
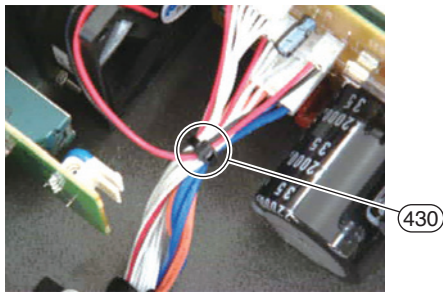
FRONT SIDE



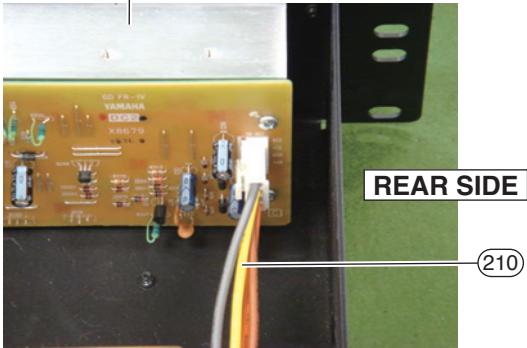
150b DC ASSEMBLY R (DC Ass'y R)
(See page. 7)



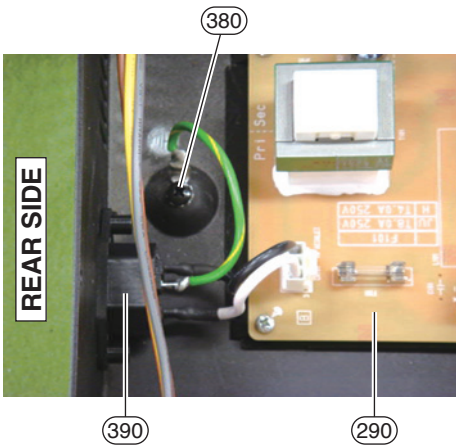
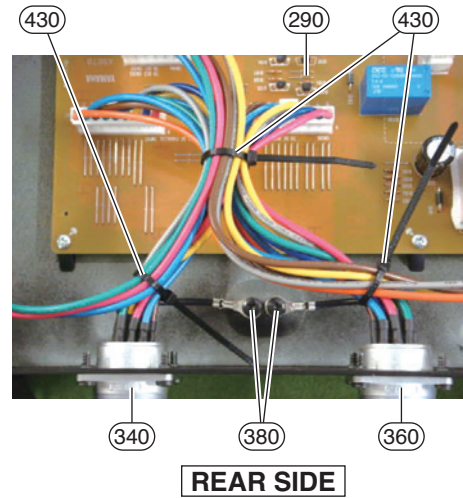
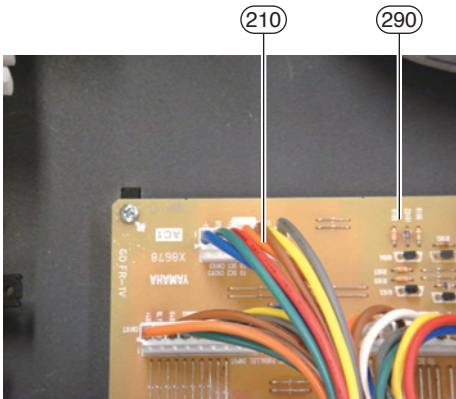
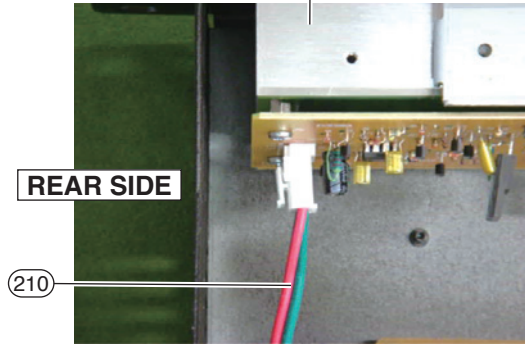
FRONT SIDE



(150a) DC ASSEMBLY L (DC Ass'y L)
(See page. 6)



(150b) DC ASSEMBLY R (DC Ass'y R)
(See page. 7)

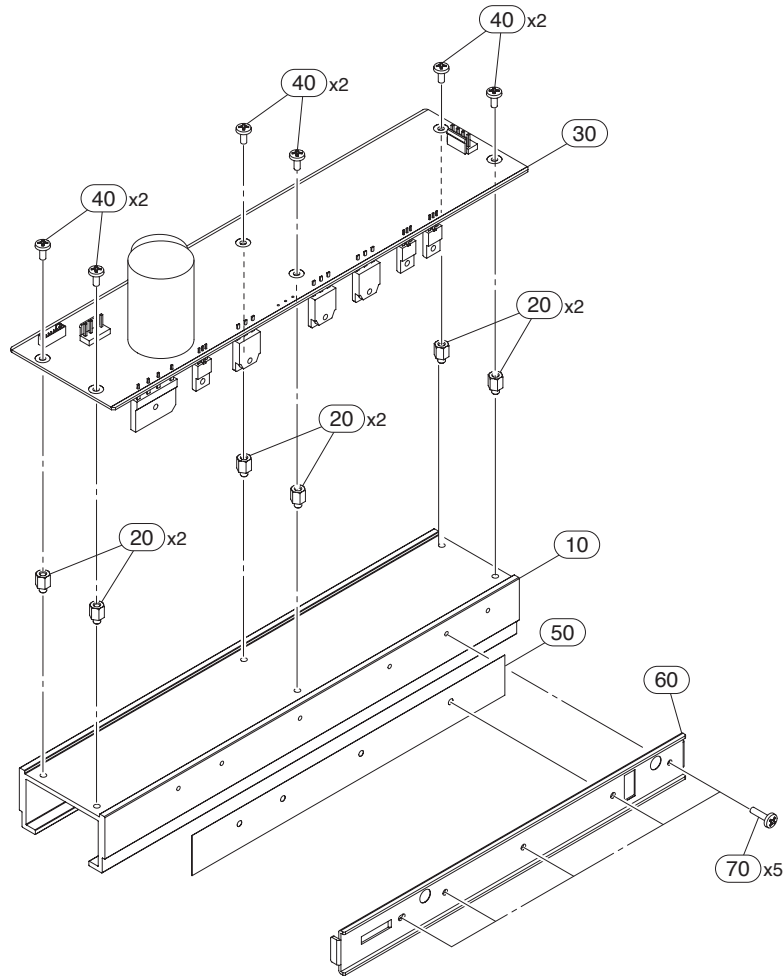


REF NO.	PART NO.	DESCRIPTION	部 品 名	REMARKS	QTY	RANK
	--	OVERALL ASSEMBLY	総組立	PW8		
	--	OVERALL ASSEMBLY	J 総組立	(WM15230)		
	--	OVERALL ASSEMBLY	U 総組立	(WM15240)		
	--	OVERALL ASSEMBLY	H/K/C 総組立	H,B,O (WM15250)		
	--	OVERALL ASSEMBLY	A 総組立	A (WM15260)		
* 10	WP415800	MAIN CHASSIS ASSEMBLY	メインシャーシ Ass'y			
30	WA968500	FAN	DC ファン		2	06
40	WE98400R	BIND HEAD SCREW	小ネジ + BIND		4	01
50	WG169200	HEXAGONAL NUT	ナット 六角		4	
60	--	FRONT PANEL 1	フロントパネル 1 塗装	(WM15060)		
* 70	WM185500	CIRCUIT BOARD	AC3	J AC3シート		
* 70	WM185800	CIRCUIT BOARD	AC3	U AC3シート		
* 70	WM186100	CIRCUIT BOARD	AC3	H,B,O,A AC3シート		
80	WE98020R	BIND HEAD TAPPING SCREW-S	3.0X5 MFZN2W3	Sタイト + BIND	2	
90	WD34560R	POWER SWITCH KNOB	BLACK	P S W ノブ		01
100	--	WIRING ASSEMBLY	PSW	P S W 束線		(WK72830)
* 110	WM185400	CIRCUIT BOARD	AC2	J AC2シート		
* 110	WM185700	CIRCUIT BOARD	AC2	U AC2シート		
* 110	WM186000	CIRCUIT BOARD	AC2	H,B,O,A AC2シート		
120	WE98020R	BIND HEAD TAPPING SCREW-S	3.0X5 MFZN2W3	Sタイト + BIND	2	
130	--	WIRING ASSEMBLY	PH-PH 7P-240L	束線 PH-PH		(WM31480)
140	WE962000	BIND HEAD TAPPING SCREW-B	4.0X8 MFZN2B3	Bタイト + BIND	6	01
150	--	DC POWER SET	DC電源セット			(WM22430)
150a	WM163500	DC ASSEMBLY L	DC Ass'y L			
150b	WM163600	DC ASSEMBLY R	DC Ass'y R			
160	WE962000	BIND HEAD TAPPING SCREW-B	4.0X8 MFZN2B3	Bタイト + BIND	8	01
180	--	WIRING ASSEMBLY	PH-PH 6P-400L	束線 PH-PH		(WM31470)
210	--	WIRING ASSEMBLY	DC	DC 束線		(WK72810)
230	WM150800	FRONT PANEL 2		フロントパネル 2 印刷		
240	WF25750R	BIND HEAD TAPPING SCREW-S	3.0X8 MFZN2B3	Sタイト + BIND	6	01
250	WD34570R	POWER SWITCH ESCUTCHEON		P S W エスカッション		01
260	WD49210R	RACK ANGLE BRACKET		ラックアングル 塗装	2	05
270	WE962000	BIND HEAD TAPPING SCREW-B	4.0X8 MFZN2B3	Bタイト + BIND	6	01
280	--	INSULATION SHEET		絶縁シート		(WM79650)
* 290	WM185300	CIRCUIT BOARD	AC1	J AC1シート		
* 290	WM185600	CIRCUIT BOARD	AC1	U AC1シート		
* 290	WM185900	CIRCUIT BOARD	AC1	H,B,O,A AC1シート		
300	WE98020R	BIND HEAD TAPPING SCREW-S	3.0X5 MFZN2W3	Sタイト + BIND	6	
* 310	X8970A00	POWER TRANSFORMER		トランス		J
* 310	X8971A00	POWER TRANSFORMER		トランス		U
* 310	X8972A00	POWER TRANSFORMER		トランス		H,B,O
* 310	X8973A00	POWER TRANSFORMER		トランス		A
320	CB81751R	CORD CLAMP	S-14B-E,S-14	束線止め	4	03
330	WE98020R	BIND HEAD TAPPING SCREW-S	3.0X5 MFZN2W3	Sタイト + BIND	3	
340	--	WIRING ASSEMBLY	PS	P S 束線		DC PARALLEL INPUT (WK72060)
350	WE972200	BIND HEAD TAPPING SCREW-B	3.0X10 MFZN2B3	Bタイト + BIND	4	01
360	--	WIRING ASSEMBLY	PS	P S 束線		DC OUTPUT (WK72030)
370	WE972200	BIND HEAD TAPPING SCREW-B	3.0X10 MFZN2B3	Bタイト + BIND	4	01
380	WE974300	BIND HEAD TAPPING SCREW-S	4.0X6 MFZN2B3	Sタイト + BIND	3	01
390	--	WIRING ASSEMBLY	AC	A C 束線		AC IN (WM22420)
400	WE972200	BIND HEAD TAPPING SCREW-B	3.0X10 MFZN2B3	Bタイト + BIND	2	01
410	CB806590	LEG		アンブレッグ	4	03
420	WE97230R	BIND HEAD TAPPING SCREW-B	4.0X10 MFZN2B3	Bタイト + BIND	4	01
430	CB06925R	BINDING TIE	BK-1	インシュロックタイ	5	01
440	--	SHIELD BOARD		シールド板		(WN55970)
450	WE974300	BIND HEAD TAPPING SCREW-S	4.0X6 MFZN2B3	Sタイト + BIND		01
460	WD49230R	TOP COVER		トップカバー 塗装		08
470	WE962000	BIND HEAD TAPPING SCREW-B	4.0X8 MFZN2B3	Bタイト + BIND	11	01
		ACCESSORIES		付属品		
* 480	VT119800	AC CORD	J 7A 125V 3P 2.5m	電源コード		06
* 490	WC249500	AC CORD	U 3SHIN 10A	電源コード		05
* 500	WE66730R	AC CORD	BS	電源コード		09
* 510	WC901301	POWER SUPPLY CORD	CHN 3 2.5m	電源コードセット		O
* 520	WC24960R	AC CORD	H05VV-FX3 0.7 10A	電源コード		H,A

*: New Parts

RANK: Japan only

DC ASSEMBLY L (DC Ass'y L)

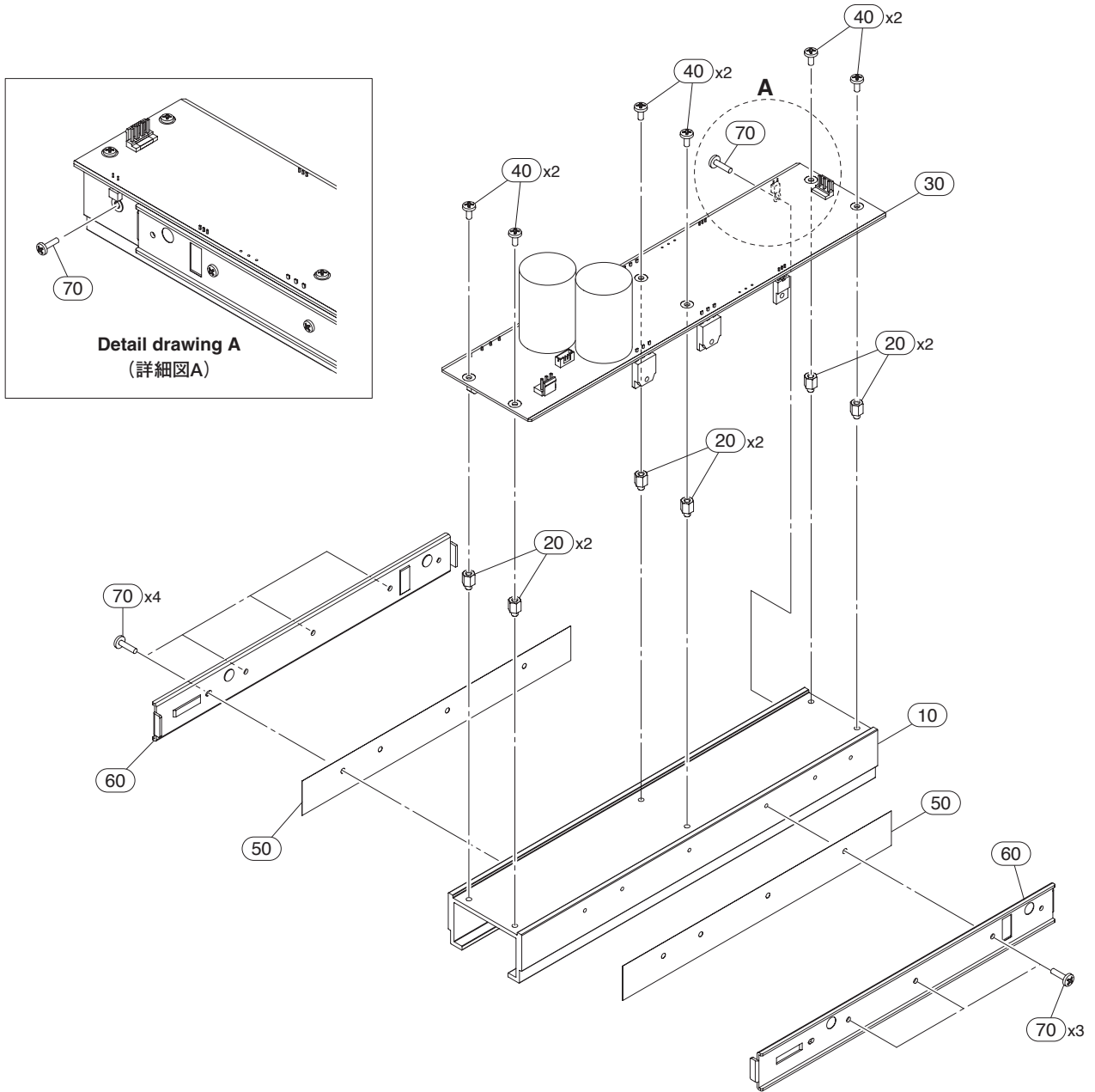


REF NO.	PART NO.	DESCRIPTION		部 品 名	REMARKS	QTY	RANK
*	WM163500	DC ASSEMBLY L		D C A s s ' y L	PW8		
10	--	DC ASSEMBLY L		D C A s s ' y L			
20	VD80740R	HEAT SINK	H=7.5 B=5.5	ヒ ー ト シ ン ク	(WM02310)	6	01
30	--	SUPPORT	DC2 J	支 柱	(WM18630)		
40	WE774000	CIRCUIT BOARD		D C 2 シ ー ト			
40	WE774000	BIND HEAD SCREW	3.0X6 MFZN2W3	小 ネ ジ + B I N D		6	01
50	V4641300	INSULATION SHEET		放 熱 シ ー ト			06
* 60	WM151100	TRANSISTOR FIXING PLATE		T R 押 え 金 具			
70	WE95290R	BIND HEAD SCREW	3.0X10 MFZN2W3	小 ネ ジ + B I N D		5	01

*: New Parts

RANK: Japan only

DC ASSEMBLY R (DC Ass'y R)



REF NO.	PART NO.	DESCRIPTION		部 品 名	REMARKS	QTY	RANK
*		DC ASSEMBLY R		D C A s s ' y R	PW8		
	10	DC ASSEMBLY R		D C A s s ' y R			
	20	HEAT SINK	H=7.5 B=5.5	ヒ ー ト シ ン ク	(WM02310)	6	01
	30	SUPPORT	DC1 J	支 柱	(WM18620)		
	40	CIRCUIT BOARD		D C 1 シ ー ト			
	40	BIND HEAD SCREW	3.0X6 MFZN2W3	小 ネ ジ + B I N D		6	01
	50	INSULATION SHEET		放 熱 シ ー ト		2	06
*	60	TRANSISTOR FIXING PLATE		T R 押 え 金 具		2	
	70	BIND HEAD SCREW	3.0X10 MFZN2W3	小 ネ ジ + B I N D		8	01

*: New Parts

RANK: Japan only

ELECTRICAL PARTS (電気部品)

AC1/AC2/AC3 and DC1/DC2

REF NO.	PART NO.	DESCRIPTION	部 品 名	REMARKS	QTY	RANK
		ELECTRICAL PARTS	電 気 部 品	PW8		
*	WM185300	CIRCUIT BOARD	AC1	A C 1 シ ー ト J (WJ98670)(X8678C0)		
*	WM185600	CIRCUIT BOARD	AC1	A C 1 シ ー ト U (WK64510)(X8678C0)		
*	WM185900	CIRCUIT BOARD	AC1	A C 1 シ ー ト H,B,O,A (WK645600)(X8678C0)		
*	WM185400	CIRCUIT BOARD	AC2	A C 2 シ ー ト J (WJ98670)(X8678C0)		
*	WM185700	CIRCUIT BOARD	AC2	A C 2 シ ー ト U (WK64510)(X8678C0)		
*	WM186000	CIRCUIT BOARD	AC2	A C 2 シ ー ト H,B,O,A (WK645600)(X8678C0)		
*	WM185500	CIRCUIT BOARD	AC3	A C 3 シ ー ト J (WJ98670)(X8678C0)		
*	WM185800	CIRCUIT BOARD	AC3	A C 3 シ ー ト U (WK64510)(X8678C0)		
*	WM186100	CIRCUIT BOARD	AC3	A C 3 シ ー ト H,B,O,A (WK645600)(X8678C0)		
	--	CIRCUIT BOARD	DC1 J	D C 1 シ ー ト (WJ98680,WM18620)(X8679D0)		
	--	CIRCUIT BOARD	DC2 J	D C 2 シ ー ト (WJ98680,WM18630)(X8679D0)		
*	WM185300	CIRCUIT BOARD	AC1	A C 1 シ ー ト J (WJ98670)(X8678C0)		
*	WM185600	CIRCUIT BOARD	AC1	A C 1 シ ー ト U (WK64510)(X8678C0)		
*	WM185900	CIRCUIT BOARD	AC1	A C 1 シ ー ト H,B,O,A (WK645600)(X8678C0)		
*	WM185400	CIRCUIT BOARD	AC2	A C 2 シ ー ト J (WJ98670)(X8678C0)		
*	WM185700	CIRCUIT BOARD	AC2	A C 2 シ ー ト U (WK64510)(X8678C0)		
*	WM186000	CIRCUIT BOARD	AC2	A C 2 シ ー ト H,B,O,A (WK645600)(X8678C0)		
*	WM185500	CIRCUIT BOARD	AC3	A C 3 シ ー ト J (WJ98670)(X8678C0)		
*	WM185800	CIRCUIT BOARD	AC3	A C 3 シ ー ト U (WK64510)(X8678C0)		
*	WM186100	CIRCUIT BOARD	AC3	A C 3 シ ー ト H,B,O,A (WK645600)(X8678C0)		
	--	JUMPER WIRE	0.55 TIN	ジ ャ ン パ ー 線 (VA07890)	42	
	WC050700	FUSE HOLDER	CLIP EYF52BCY	ヒ ュ ー ズ ク リ ッ プ	2	
	WD49480R	LED SPACER	BLACK	ス ペ ー サ L E D	4	
△*	C102	UR859100	ELECTROLYTIC CAPACITOR.	1000 35.0V RX TP	ケ ミ コ ン	
	C301	WC713800	CAPACITOR	1000P 400V J.U.C.S	規 格 認 定 コ ン	
	CN101	LB93203R	CONNECTOR BASE POST, TOP	VH 3P TE	ベ ー ス ポ ス ト	01
	CN102	LB93204R	CONNECTOR BASE POST, TOP	VH 4P TE	ベ ー ス ポ ス ト	01
	CN103	LB93203R	CONNECTOR BASE POST, TOP	VH 3P TE	ベ ー ス ポ ス ト	01
	CN104	LB932070	CONNECTOR BASE POST, TOP	VH 7P TE	ベ ー ス ポ ス ト	
	CN106	LB932090	CONNECTOR BASE POST, TOP	VH 9P TE	ベ ー ス ポ ス ト	01
	CN107	LB932090	CONNECTOR BASE POST, TOP	VH 9P TE	ベ ー ス ポ ス ト	01
	CN201	VB858600	CONNECTOR BASE POST, SIDE	PH 7P SE	ベ ー ス ポ ス ト	
	CN301	LB933040	CONNECTOR BASE POST, SIDE	VH 4P SE	ベ ー ス ポ ス ト	
	D101	WD54390R	DIODE	1N4004 A0 TE-52	ダ イ オ ー ド	01
	D101	WP548300	DIODE	1N4004-F TE-52	ダ イ オ ー ド	
	D102	WD54390R	DIODE	1N4004 A0 TE-52	ダ イ オ ー ド	01
	D102	WP548300	DIODE	1N4004-F TE-52	ダ イ オ ー ド	
	D103	VB941200	DIODE	1SS133,1SS176 TE	ダ イ オ ー ド	
	D104	VB941200	DIODE	1SS133,1SS176 TE	ダ イ オ ー ド	
△	F101	VK901600	FUSE	TL 250V 10.00A S	ヒ ュ ー ズ 2 5 0 V	J,U
△	F101	KB001760	FUSE	TL 250V 6.30A S	ヒ ュ ー ズ 2 5 0 V	H,B,O,A
	GT	CH004730	TUBE (GLASS)	ESG-1D 2.0 BL	ガ ラ ス チ ュ ー ブ	J
	J101	--	JUMPER WIRE	0.55 TIN	ジ ャ ン パ ー 線	U,H,B,O,A (VA07890)
	J102	--	JUMPER WIRE	0.55 TIN	ジ ャ ン パ ー 線	U,H,B,O,A (VA07890)
	LD201	WA09750R	LED, GREEN	HFG203PJ-3-00 GREE	L E D	
	LD202	WA09750R	LED, GREEN	HFG203PJ-3-00 GREE	L E D	
	LD203	WA09750R	LED, GREEN	HFG203PJ-3-00 GREE	L E D	
	LD204	WA09750R	LED, GREEN	HFG203PJ-3-00 GREE	L E D	
	Q101	V2797700	TRANSISTOR	2SC5395-T112-E/F	ト ラ ン ジ ス タ 2 S C	01
	Q102	WK608600	TRANSISTOR	ISA1993AS1-T112-E/	ト ラ ン ジ ス タ	
	-104	WK608600	TRANSISTOR	ISA1993AS1-T112-E/	ト ラ ン ジ ス タ	
	R101	HF75710R	CARBON RESISTOR 1/4W	10.0K 1/4 J AX TP	カ ー ボ ン 抵 抗	01
	R102	HF75733R	CARBON RESISTOR 1/4W	33.0K 1/4 J AX TP	カ ー ボ ン 抵 抗	01
	R103	HF75747R	CARBON RESISTOR 1/4W	47.0K 1/4 J AX TP	カ ー ボ ン 抵 抗	01
	R104	HF75747R	CARBON RESISTOR 1/4W	47.0K 1/4 J AX TP	カ ー ボ ン 抵 抗	01
	R105	HF75710R	CARBON RESISTOR 1/4W	10.0K 1/4 J AX TP	カ ー ボ ン 抵 抗	01
	R106	HF756470	CARBON RESISTOR 1/4W	4.7K 1/4 J AX TP	カ ー ボ ン 抵 抗	01
	R107	HF75733R	CARBON RESISTOR 1/4W	33.0K 1/4 J AX TP	カ ー ボ ン 抵 抗	01
	-109	HF75733R	CARBON RESISTOR 1/4W	33.0K 1/4 J AX TP	カ ー ボ ン 抵 抗	01
△	RY101	VZ00360R	RELAY	24V OSZ-SS-124DM8	リ レ ー 2 4 V	07
△	SW301	WE24830R	PUSH SWITCH	SY17-4-2(U1D1)/T U	プ ッ シ ュ S W	POWER ON/OFF
△*	T101	X9423B00	POWER TRANSFORMER	DEN AN HOU A	電 源 ト ラ ン ス	J
△*	T101	X9424B00	POWER TRANSFORMER	UL CSA A	電 源 ト ラ ン ス	U
△*	T101	X9425B00	POWER TRANSFORMER	CE A	電 源 ト ラ ン ス	H,B,O,A
	TH101	WP914300	THERMISTOR	3D2-22LD 3ohm	サ ー ミ ス タ	J
	ZD101	VQ313000	ZENER DIODE	MTZ J 5.6B 5.6V TE	ツ ェ ナ ー ダ イ オ ー ド	01
	--	CIRCUIT BOARD	DC1 J	D C 1 シ ー ト (WJ98680,WM18620)(X8679D0)		

*: New Parts

RANK: Japan only

DC1/DC2

REF NO.	PART NO.	DESCRIPTION	部 品 名	REMARKS	QTY	RANK
	--	CIRCUIT BOARD	DC2 J	D C 2 シ ー ト	(WJ98680,WM18630)(X8679D0)	
	--	JUMPER WIRE	0.55 TIN	ジ ャ ン パ ー 線	(VA07890)	68
	WC050700	FUSE HOLDER	CLIP EYF52BCY	ヒ ュ ー ズ ク リ ッ プ		8
* C101	WK624600	POLYESTER FILM CAPACITOR	0.3300 250V K ST	マ イ ラ ー コ ン		
* -104	WK624600	POLYESTER FILM CAPACITOR	0.3300 250V K ST	マ イ ラ ー コ ン		
* C105	WM061800	ELECTROLYTIC CAPASITOR	22000 35V SNAP-IN	ケ ミ コ ン		
* C106	WM061800	ELECTROLYTIC CAPASITOR	22000 35V SNAP-IN	ケ ミ コ ン		
C107	UA354470	POLYESTER FILM CAPACITOR	0.0470 50V J RX TP	マ イ ラ ー コ ン		
C107	UA654470	POLYESTER FILM CAPACITOR	0.0470 50V J RX TP	マ イ ラ ー コ ン		
C108	UA354470	POLYESTER FILM CAPACITOR	0.0470 50V J RX TP	マ イ ラ ー コ ン		
C108	UA654470	POLYESTER FILM CAPACITOR	0.0470 50V J RX TP	マ イ ラ ー コ ン		
C109	UA353220	POLYESTER FILM CAPACITOR	2200P 50V J RX TP	マ イ ラ ー コ ン		
C109	UA653220	POLYESTER FILM CAPACITOR	2200P 50V J RX TP	マ イ ラ ー コ ン		
C110	UA353220	POLYESTER FILM CAPACITOR	2200P 50V J RX TP	マ イ ラ ー コ ン		
C110	UA653220	POLYESTER FILM CAPACITOR	2200P 50V J RX TP	マ イ ラ ー コ ン		
C111	UR877470	ELECTROLYTIC CAPACITOR	47.00 63.0V RX TP	ケ ミ コ ン		
C112	UR877470	ELECTROLYTIC CAPACITOR	47.00 63.0V RX TP	ケ ミ コ ン		
C115	UR877470	ELECTROLYTIC CAPACITOR	47.00 63.0V RX TP	ケ ミ コ ン		
C116	UR877470	ELECTROLYTIC CAPACITOR	47.00 63.0V RX TP	ケ ミ コ ン		
* C201	WK624600	POLYESTER FILM CAPACITOR	0.3300 250V K ST	マ イ ラ ー コ ン		
* -204	WK624600	POLYESTER FILM CAPACITOR	0.3300 250V K ST	マ イ ラ ー コ ン		
* C205	WM061800	ELECTROLYTIC CAPASITOR	22000 35V SNAP-IN	ケ ミ コ ン		
* C206	WM062000	ELECTROLYTIC CAPASITOR	2200 100V SNAP-IN	ケ ミ コ ン		
C207	UA354470	POLYESTER FILM CAPACITOR	0.0470 50V J RX TP	マ イ ラ ー コ ン		
C207	UA654470	POLYESTER FILM CAPACITOR	0.0470 50V J RX TP	マ イ ラ ー コ ン		
C208	UA353220	POLYESTER FILM CAPACITOR	2200P 50V J RX TP	マ イ ラ ー コ ン		
C208	UA653220	POLYESTER FILM CAPACITOR	2200P 50V J RX TP	マ イ ラ ー コ ン		
C209	UR877470	ELECTROLYTIC CAPACITOR	47.00 63.0V RX TP	ケ ミ コ ン		
C212	UR89647R	ELECTROLYTIC CAPACITOR	4.7 100.0V RX TP	ケ ミ コ ン		01
C213	UA353220	POLYESTER FILM CAPACITOR	2200P 50V J RX TP	マ イ ラ ー コ ン		
C213	UA653220	POLYESTER FILM CAPACITOR	2200P 50V J RX TP	マ イ ラ ー コ ン		
C214	UR89647R	ELECTROLYTIC CAPACITOR	4.7 100.0V RX TP	ケ ミ コ ン		01
-217	UR89647R	ELECTROLYTIC CAPACITOR	4.7 100.0V RX TP	ケ ミ コ ン		01
C219	UR877470	ELECTROLYTIC CAPACITOR	47.00 63.0V RX TP	ケ ミ コ ン		
CN101	VB390200	CONNECTOR BASE POST, TOP	PH 6P TE	ベ ー ス ポ ス ト		01
CN102	LB93203R	CONNECTOR BASE POST, TOP	VH 3P TE	ベ ー ス ポ ス ト		01
CN103	LB93203R	CONNECTOR BASE POST, TOP	VH 3P TE	ベ ー ス ポ ス ト		01
CN104	VB38980R	CONNECTOR BASE POST, TOP	PH 2P TE	ベ ー ス ポ ス ト		01
CN201	LB93204R	CONNECTOR BASE POST, TOP	VH 4P TE	ベ ー ス ポ ス ト		01
CN202	VB39030R	CONNECTOR BASE POST, TOP	PH 7P TE	ベ ー ス ポ ス ト		01
CN203	LB93204R	CONNECTOR BASE POST, TOP	VH 4P TE	ベ ー ス ポ ス ト		01
CN204	VB390200	CONNECTOR BASE POST, TOP	PH 6P TE	ベ ー ス ポ ス ト		01
CN205	VB38980R	CONNECTOR BASE POST, TOP	PH 2P TE	ベ ー ス ポ ス ト		01
D101	VR14990R	DIODE STACK	D25XB60 25.0A 600V	ダ イ オ ー ド ス タ ッ ク		06
D102	VB941200	DIODE	1SS133,1SS176 TE	ダ イ オ ー ド		
-105	VB941200	DIODE	1SS133,1SS176 TE	ダ イ オ ー ド		
D106	WD54390R	DIODE	1N4004 A0 TE-52	ダ イ オ ー ド		01
D106	WP548300	DIODE	1N4004-F TE-52	ダ イ オ ー ド		
D107	WD54390R	DIODE	1N4004 A0 TE-52	ダ イ オ ー ド		01
D107	WP548300	DIODE	1N4004-F TE-52	ダ イ オ ー ド		
D108	WD88620R	DIODE	FMU-22S 10.0A 200V	D i ス タ ッ ク		
D108	WE23870R	TWIN DIODE	RF1001T2D 10.0A 20	ツ イン ダ イ オ ー ド		03
D109	WD88620R	DIODE STACK	FMU-22S 10.0A 200V	D i ス タ ッ ク		
D109	WE23870R	TWIN DIODE	RF1001T2D 10.0A 20	ツ イン ダ イ オ ー ド		03
D201	VR14990R	DIODE STACK	D25XB60 25.0A 600V	ダ イ オ ー ド ス タ ッ ク		06
D202	WD54390R	DIODE	1N4004 A0 TE-52	ダ イ オ ー ド		01
-205	WD54390R	DIODE	1N4004 A0 TE-52	ダ イ オ ー ド		01
D202	WP548300	DIODE	1N4004-F TE-52	ダ イ オ ー ド		
-205	WP548300	DIODE	1N4004-F TE-52	ダ イ オ ー ド		
D206	VB941200	DIODE	1SS133,1SS176 TE	ダ イ オ ー ド		
D207	VB941200	DIODE	1SS133,1SS176 TE	ダ イ オ ー ド		
D208	WD54390R	DIODE	1N4004 A0 TE-52	ダ イ オ ー ド		01
D208	WP548300	DIODE	1N4004-F TE-52	ダ イ オ ー ド		
D209	WD88620R	DIODE STACK	FMU-22S 10.0A 200V	D i ス タ ッ ク		
D209	WE23870R	TWIN DIODE	RF1001T2D 10.0A 20	ツ イン ダ イ オ ー ド		03
D211	WD54390R	DIODE	1N4004 A0 TE-52	ダ イ オ ー ド		01
D211	WP548300	DIODE	1N4004-F TE-52	ダ イ オ ー ド		
D212	WD54390R	DIODE	1N4004 A0 TE-52	ダ イ オ ー ド		01
D212	WP548300	DIODE	1N4004-F TE-52	ダ イ オ ー ド		
D213	VB941200	DIODE	1SS133,1SS176 TE	ダ イ オ ー ド		

*: New Parts

RANK: Japan only

DC1/DC2

REF NO.	PART NO.	DESCRIPTION	部 品 名	REMARKS	QTY	RANK
△	F102	V574250R FUSE	TH 8.00A 250V	ヒューズ 2 5 0 V		01
△	F103	V574250R FUSE	TH 8.00A 250V	ヒューズ 2 5 0 V		01
△	F201	KB000750 MINIATURE FUSE	TL 2.00AT S	ヒューズ 2 5 0 V		
△	F202	V574250R FUSE	TH 8.00A 250V	ヒューズ 2 5 0 V		01
	IC101	XC520A00 IC	UPC4570C-A	I C	OP AMP	
	IC201	XC520A00 IC	UPC4570C-A	I C	OP AMP	
	IC202	XC520A00 IC	UPC4570C-A	I C	OP AMP	
	PR101	VM850400 POSITIVE THERMISTOR	PTFM04BG222Q2N34B0	ポ ジ ス タ		
	Q102N	V5611000 PAIR TRANSISTOR	2SA1386A/2SC3519A	ペアトランジスタ		05
	Q102P	V5611000 PAIR TRANSISTOR	2SA1386A/2SC3519A	ペアトランジスタ		05
	Q103N	V5611000 PAIR TRANSISTOR	2SA1386A/2SC3519A	ペアトランジスタ		05
	Q103P	V5611000 PAIR TRANSISTOR	2SA1386A/2SC3519A	ペアトランジスタ		05
	Q104	VC614000 TRANSISTOR	2SB1274 R,S ST	トランジスタ 2 S B		
	Q105	VC407900 TRANSISTOR	2SD1913 R,S ST	トランジスタ 2 S D		
	Q106	V2797700 TRANSISTOR	2SC5395-T112-E/F	トランジスタ 2 S C		01
	-109	V2797700 TRANSISTOR	2SC5395-T112-E/F	トランジスタ 2 S C		01
*	Q110	WK608600 TRANSISTOR	ISA1993AS1-T112-E/	トランジスタ		
*	-113	WK608600 TRANSISTOR	ISA1993AS1-T112-E/	トランジスタ		
*	Q202	WK608700 TRANSISTOR	2SC3519A O,P,Y ST	トランジスタ 2 S C		
*	Q203	WK608700 TRANSISTOR	2SC3519A O,P,Y ST	トランジスタ 2 S C		
	Q204	VC614000 TRANSISTOR	2SB1274 R,S ST	トランジスタ 2 S B		
	Q205	V2797700 TRANSISTOR	2SC5395-T112-E/F	トランジスタ 2 S C		01
	-208	V2797700 TRANSISTOR	2SC5395-T112-E/F	トランジスタ 2 S C		01
*	Q209	WK608700 TRANSISTOR	2SC3519A O,P,Y ST	トランジスタ 2 S C		
	Q210	IC224030 TRANSISTOR	2240 GR,BL TP	トランジスタ 2 S C		
	-214	IC224030 TRANSISTOR	2240 GR,BL TP	トランジスタ 2 S C		
	Q215	VC407900 TRANSISTOR	2SD1913 R,S ST	トランジスタ 2 S D		
	Q216	V2797700 TRANSISTOR	2SC5395-T112-E/F	トランジスタ 2 S C		01
*	Q217	WK608600 TRANSISTOR	ISA1993AS1-T112-E/	トランジスタ		
	Q218	VC614000 TRANSISTOR	2SB1274 R,S ST	トランジスタ 2 S B		
	R101	HF75610R CARBON RESISTOR 1/4W	1.0K 1/4 J AX TP	カーボン抵抗		01
	-104	HF75610R CARBON RESISTOR 1/4W	1.0K 1/4 J AX TP	カーボン抵抗		01
	R106	HV754100 FLAME PROOF C. RESISTOR	10.0 1/4 J RX TP	不燃化カーボン抵抗		
	R107	HV754100 FLAME PROOF C. RESISTOR	10.0 1/4 J RX TP	不燃化カーボン抵抗		
	R109	HV754100 FLAME PROOF C. RESISTOR	10.0 1/4 J RX TP	不燃化カーボン抵抗		
	R110	HV754100 FLAME PROOF C. RESISTOR	10.0 1/4 J RX TP	不燃化カーボン抵抗		
	R111	HV755100 FLAME PROOF C. RESISTOR	100.0 1/4 J RX TP	不燃化カーボン抵抗		
	R112	HV755100 FLAME PROOF C. RESISTOR	100.0 1/4 J RX TP	不燃化カーボン抵抗		
	R114	HF75568R CARBON RESISTOR 1/4W	680.0 1/4 J AX TP	カーボン抵抗		01
	R115	HF75568R CARBON RESISTOR 1/4W	680.0 1/4 J AX TP	カーボン抵抗		01
	R117	HF75568R CARBON RESISTOR 1/4W	680.0 1/4 J AX TP	カーボン抵抗		01
	R118	HF75568R CARBON RESISTOR 1/4W	680.0 1/4 J AX TP	カーボン抵抗		01
	R119	VC32720R METAL FILM RESISTOR 1/4W	2.2K 1/4 F YOKO52	金属被膜抵抗		01
	R120	VC32720R METAL FILM RESISTOR 1/4W	2.2K 1/4 F YOKO52	金属被膜抵抗		01
	R122	VC329600 METAL FILM RESISTOR 1/4W	22.0K 1/4 F YOKO52	金属被膜抵抗		01
	R123	VC329600 METAL FILM RESISTOR 1/4W	22.0K 1/4 F YOKO52	金属被膜抵抗		01
	R125	VC329600 METAL FILM RESISTOR 1/4W	22.0K 1/4 F YOKO52	金属被膜抵抗		01
	R126	VC329600 METAL FILM RESISTOR 1/4W	22.0K 1/4 F YOKO52	金属被膜抵抗		01
	R127	HF75622R CARBON RESISTOR 1/4W	2.2K 1/6 J AX TP	カーボン抵抗		01
	R128	HF75622R CARBON RESISTOR 1/4W	2.2K 1/6 J AX TP	カーボン抵抗		01
	R129	VC32800R METAL FILM RESISTOR 1/4W	4.7K 1/4 F YOKO52	金属被膜抵抗		01
	R130	VC32800R METAL FILM RESISTOR 1/4W	4.7K 1/4 F YOKO52	金属被膜抵抗		01
	R131	VC326500 METAL FILM RESISTOR 1/4W	1.0K 1/4 F YOKO52	金属被膜抵抗		01
	R132	VC326500 METAL FILM RESISTOR 1/4W	1.0K 1/4 F YOKO52	金属被膜抵抗		01
*	R136	WM948000 CEMENT RESISTOR 5W	0.10 5W K ST 10MM	セメント抵抗		
*	-141	WM948000 CEMENT RESISTOR 5W	0.10 5W K ST 10MM	セメント抵抗		
*	R145	WM948000 CEMENT RESISTOR 5W	0.10 5W K ST 10MM	セメント抵抗		
*	-150	WM948000 CEMENT RESISTOR 5W	0.10 5W K ST 10MM	セメント抵抗		
	R151	HF756470 CARBON RESISTOR 1/4W	4.7K 1/4 J AX TP	カーボン抵抗		01
	R152	HF756470 CARBON RESISTOR 1/4W	4.7K 1/4 J AX TP	カーボン抵抗		01
	R153	HV75422R FLAME PROOF C. RESISTOR	22.0 1/4 J RX TP	不燃化カーボン抵抗		01
	R154	HV75422R FLAME PROOF C. RESISTOR	22.0 1/4 J RX TP	不燃化カーボン抵抗		01
	R155	HF75568R CARBON RESISTOR 1/4W	680.0 1/4 J AX TP	カーボン抵抗		01
	R156	HF75568R CARBON RESISTOR 1/4W	680.0 1/4 J AX TP	カーボン抵抗		01
	R157	HF75633R CARBON RESISTOR 1/4W	3.3K 1/4 J AX TP	カーボン抵抗		01
	R158	HF75633R CARBON RESISTOR 1/4W	3.3K 1/4 J AX TP	カーボン抵抗		01
	R159	HF75710R CARBON RESISTOR 1/4W	10.0K 1/4 J AX TP	カーボン抵抗		01
	R160	HF75710R CARBON RESISTOR 1/4W	10.0K 1/4 J AX TP	カーボン抵抗		01
	R161	HF75810R CARBON RESISTOR 1/4W	100.0K 1/4 J AX TP	カーボン抵抗		01
	R162	HF75810R CARBON RESISTOR 1/4W	100.0K 1/4 J AX TP	カーボン抵抗		01

*: New Parts

RANK: Japan only

DC1/DC2

REF NO.	PART NO.	DESCRIPTION		部 品 名	REMARKS	QTY	RANK
R201	HF75610R	CARBON RESISTOR 1/4W	1.0K 1/4 J AX TP	カ ー ボ ン 抵 抗			01
R202	HF75610R	CARBON RESISTOR 1/4W	1.0K 1/4 J AX TP	カ ー ボ ン 抵 抗			01
R204	HV754100	FLAME PROOF C. RESISTOR	10.0 1/4 J RX TP	不 燃 化 カ ー ボ ン 抵 抗			
R205	HV754100	FLAME PROOF C. RESISTOR	10.0 1/4 J RX TP	不 燃 化 カ ー ボ ン 抵 抗			
R206	HV755100	FLAME PROOF C. RESISTOR	100.0 1/4 J RX TP	不 燃 化 カ ー ボ ン 抵 抗			
R208	HF75568R	CARBON RESISTOR 1/4W	680.0 1/4 J AX TP	カ ー ボ ン 抵 抗			01
R209	HF75568R	CARBON RESISTOR 1/4W	680.0 1/4 J AX TP	カ ー ボ ン 抵 抗			01
R210	HF75810R	CARBON RESISTOR 1/4W	100.0K 1/4 J AX TP	カ ー ボ ン 抵 抗			01
R211	VC327000	METAL FILM RESISTOR 1/4W	1.8K 1/4 F YOKO52	金 属 被 膜 抵 抗			
R212	HF75622R	CARBON RESISTOR 1/4W	2.2K 1/6 J AX TP	カ ー ボ ン 抵 抗			01
R213	VC32780R	METAL FILM RESISTOR 1/4W	3.9K 1/4 F YOKO52	金 属 被 膜 抵 抗			01
R214	VC32680R	METAL FILM RESISTOR 1/4W	1.5K 1/4 F YOKO52	金 属 被 膜 抵 抗			
R216	VC32920R	METAL FILM RESISTOR 1/4W	15.0K 1/4 F YOKO52	金 属 被 膜 抵 抗			01
R217	VC32920R	METAL FILM RESISTOR 1/4W	15.0K 1/4 F YOKO52	金 属 被 膜 抵 抗			01
R218	HF756470	CARBON RESISTOR 1/4W	4.7K 1/4 J AX TP	カ ー ボ ン 抵 抗			01
R222	WM948000	CEMENT RESISTOR 5W	0.10 5W K ST 10MM	セ メ ン ト 抵 抗			
-227	WM948000	CEMENT RESISTOR 5W	0.10 5W K ST 10MM	セ メ ン ト 抵 抗			
R228	HF75568R	CARBON RESISTOR 1/4W	680.0 1/4 J AX TP	カ ー ボ ン 抵 抗			01
R229	HF75710R	CARBON RESISTOR 1/4W	10.0K 1/4 J AX TP	カ ー ボ ン 抵 抗			01
R230	HF75633R	CARBON RESISTOR 1/4W	3.3K 1/4 J AX TP	カ ー ボ ン 抵 抗			01
R231	HF756180	CARBON RESISTOR 1/4W	1.8K 1/4 J AX TP	カ ー ボ ン 抵 抗			01
-233	HF756180	CARBON RESISTOR 1/4W	1.8K 1/4 J AX TP	カ ー ボ ン 抵 抗			01
R234	HV755100	FLAME PROOF C. RESISTOR	100.0 1/4 J RX TP	不 燃 化 カ ー ボ ン 抵 抗			
R235	HV753220	FLAME PROOF C. RESISTOR	2.2 1/4 J RX TP	不 燃 化 カ ー ボ ン 抵 抗			
-238	HV753220	FLAME PROOF C. RESISTOR	2.2 1/4 J RX TP	不 燃 化 カ ー ボ ン 抵 抗			
R239	HF75610R	CARBON RESISTOR 1/4W	1.0K 1/4 J AX TP	カ ー ボ ン 抵 抗			01
R240	HF75810R	CARBON RESISTOR 1/4W	100.0K 1/4 J AX TP	カ ー ボ ン 抵 抗			01
R241	HF75622R	CARBON RESISTOR 1/4W	2.2K 1/6 J AX TP	カ ー ボ ン 抵 抗			01
R242	HF756470	CARBON RESISTOR 1/4W	4.7K 1/4 J AX TP	カ ー ボ ン 抵 抗			01
R243	HF75710R	CARBON RESISTOR 1/4W	10.0K 1/4 J AX TP	カ ー ボ ン 抵 抗			01
R244	HF75656R	CARBON RESISTOR 1/4W	5.6K 1/4 J AX TP	カ ー ボ ン 抵 抗			01
R245	HF75656R	CARBON RESISTOR 1/4W	5.6K 1/4 J AX TP	カ ー ボ ン 抵 抗			01
R246	HF75622R	CARBON RESISTOR 1/4W	2.2K 1/6 J AX TP	カ ー ボ ン 抵 抗			01
R247	HV755100	FLAME PROOF C. RESISTOR	100.0 1/4 J RX TP	不 燃 化 カ ー ボ ン 抵 抗			
R248	HF75610R	CARBON RESISTOR 1/4W	1.0K 1/4 J AX TP	カ ー ボ ン 抵 抗			01
R249	HF75710R	CARBON RESISTOR 1/4W	10.0K 1/4 J AX TP	カ ー ボ ン 抵 抗			01
R250	VC32920R	METAL FILM RESISTOR 1/4W	15.0K 1/4 F YOKO52	金 属 被 膜 抵 抗			01
R251	VC32920R	METAL FILM RESISTOR 1/4W	15.0K 1/4 F YOKO52	金 属 被 膜 抵 抗			01
R252	VC32780R	METAL FILM RESISTOR 1/4W	3.9K 1/4 F YOKO52	金 属 被 膜 抵 抗			01
R253	HV756100	FLAME PROOF C. RESISTOR	1.0K 1/4 J RX TP	不 燃 化 カ ー ボ ン 抵 抗			
-255	HV756100	FLAME PROOF C. RESISTOR	1.0K 1/4 J RX TP	不 燃 化 カ ー ボ ン 抵 抗			
R256	HF75610R	CARBON RESISTOR 1/4W	1.0K 1/4 J AX TP	カ ー ボ ン 抵 抗			01
R257	HF75610R	CARBON RESISTOR 1/4W	1.0K 1/4 J AX TP	カ ー ボ ン 抵 抗			01
R258	VC32920R	METAL FILM RESISTOR 1/4W	15.0K 1/4 F YOKO52	金 属 被 膜 抵 抗			01
R259	HF75682R	CARBON RESISTOR 1/4W	8.2K 1/4 J AX TP	カ ー ボ ン 抵 抗			01
R260	HF75682R	CARBON RESISTOR 1/4W	8.2K 1/4 J AX TP	カ ー ボ ン 抵 抗			01
R261	HF75522R	CARBON RESISTOR 1/4W	220.0 1/4 J AX TP	カ ー ボ ン 抵 抗			01
R262	HF75522R	CARBON RESISTOR 1/4W	220.0 1/4 J AX TP	カ ー ボ ン 抵 抗			01
ZD101	VQ313000	ZENER DIODE	MTZ J 5.6B 5.6V TE	ツ ェ ナ ー ダイ オ ー ド			01
ZD102	VQ313000	ZENER DIODE	MTZ J 5.6B 5.6V TE	ツ ェ ナ ー ダイ オ ー ド			01
ZD103	VQ55450R	ZENER DIODE	MTZ J 8.2B 8.2V TE	ツ ェ ナ ー ダイ オ ー ド			01
ZD104	VQ55450R	ZENER DIODE	MTZ J 8.2B 8.2V TE	ツ ェ ナ ー ダイ オ ー ド			01
ZD105	VQ556000	ZENER DIODE	MTZ J 15B 15.0V TE	ツ ェ ナ ー ダイ オ ー ド			06
ZD106	VQ313000	ZENER DIODE	MTZ J 5.6B 5.6V TE	ツ ェ ナ ー ダイ オ ー ド			01
ZD107	VQ556000	ZENER DIODE	MTZ J 15B 15.0V TE	ツ ェ ナ ー ダイ オ ー ド			06
ZD108	VQ313000	ZENER DIODE	MTZ J 5.6B 5.6V TE	ツ ェ ナ ー ダイ オ ー ド			01
ZD201	VQ313000	ZENER DIODE	MTZ J 5.6B 5.6V TE	ツ ェ ナ ー ダイ オ ー ド			01
-204	VQ313000	ZENER DIODE	MTZ J 5.6B 5.6V TE	ツ ェ ナ ー ダイ オ ー ド			01
ZD205	VQ555500	ZENER DIODE	MTZ J 12B 12.0V TE	ツ ェ ナ ー ダイ オ ー ド			01
ZD207	VQ556000	ZENER DIODE	MTZ J 15B 15.0V TE	ツ ェ ナ ー ダイ オ ー ド			06
ZD208	VQ313000	ZENER DIODE	MTZ J 5.6B 5.6V TE	ツ ェ ナ ー ダイ オ ー ド			01
ZD209	VQ313000	ZENER DIODE	MTZ J 5.6B 5.6V TE	ツ ェ ナ ー ダイ オ ー ド			01
ZD210	VQ55750R	ZENER DIODE	MTZ J 24B 24.0V TE	ツ ェ ナ ー ダイ オ ー ド			01
ZD211	VQ55750R	ZENER DIODE	MTZ J 24B 24.0V TE	ツ ェ ナ ー ダイ オ ー ド			01
ZD212	VK573000	ZENER DIODE	MTZ J 4.7B 4.7V TE	ツ ェ ナ ー ダイ オ ー ド			01
ZD213	VQ313000	ZENER DIODE	MTZ J 5.6B 5.6V TE	ツ ェ ナ ー ダイ オ ー ド			01
ZD214	VQ556000	ZENER DIODE	MTZ J 15B 15.0V TE	ツ ェ ナ ー ダイ オ ー ド			06
-217	VQ556000	ZENER DIODE	MTZ J 15B 15.0V TE	ツ ェ ナ ー ダイ オ ー ド			06
ZD218	VQ555700	ZENER DIODE	MTZ J 13B 13.0V TE	ツ ェ ナ ー ダイ オ ー ド			

*: New Parts

RANK: Japan only

POWER SUPPLY PW8 CIRCUIT DIAGRAM


■ CONTENTS (目次)


BLOCK DIAGRAM (ブロックダイアグラム)	3
CIRCUIT DIAGRAM (回路図)	
AC1	4
AC2	4
AC3	4
DC1	5
DC2	6

Note: See parts list for details of circuit board component parts.

注： シートの部品詳細はパーツリストをご参照ください。

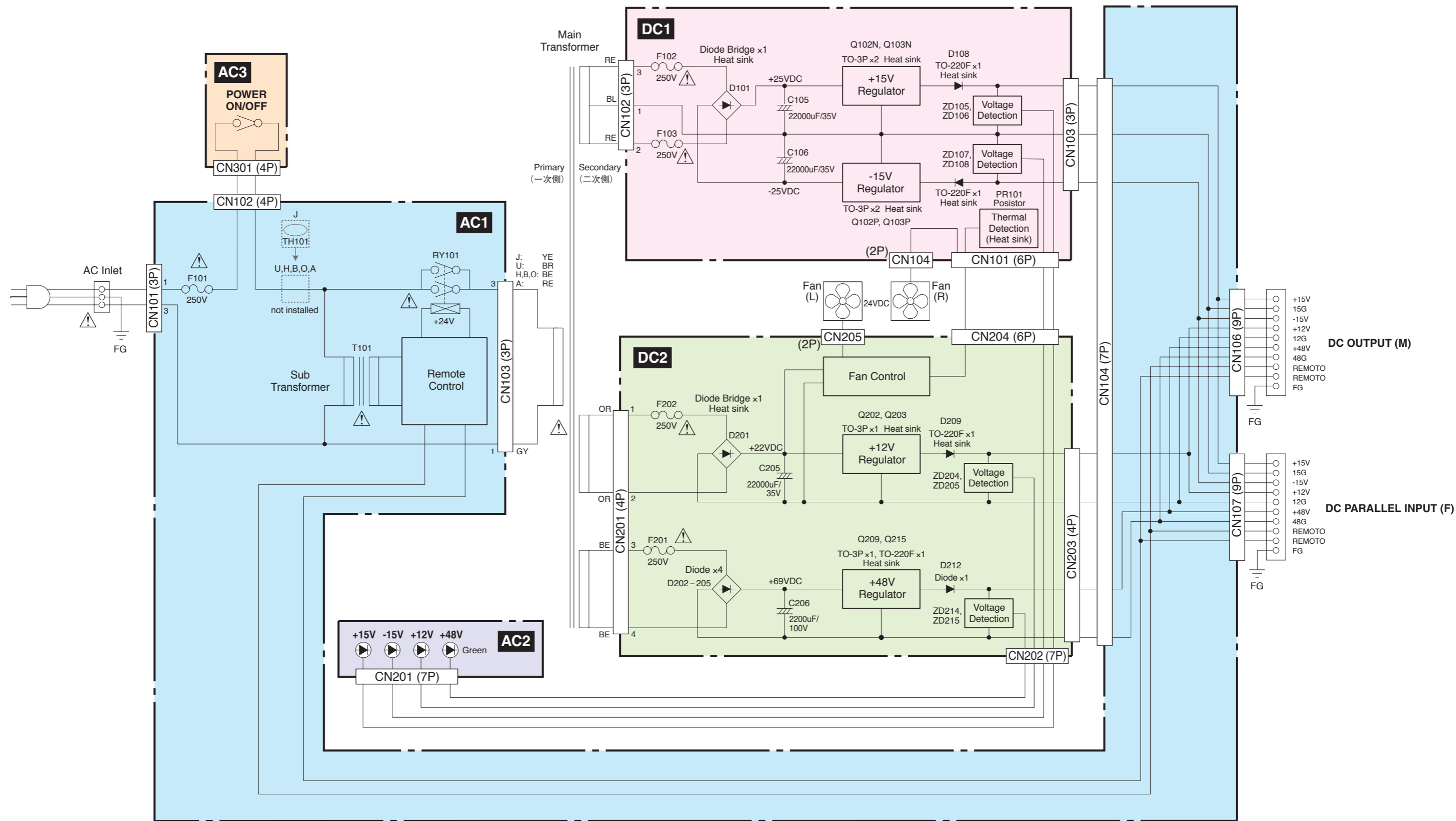
■ WARNING

Components having special characteristics are marked  and must be replaced with parts having specification equal to those originally installed.

 印の部品は、安全を維持するために重要な部品です。
交換する場合は、安全のために必ず指定の部品をご使用ください。

■ BLOCK DIAGRAM (PW8)

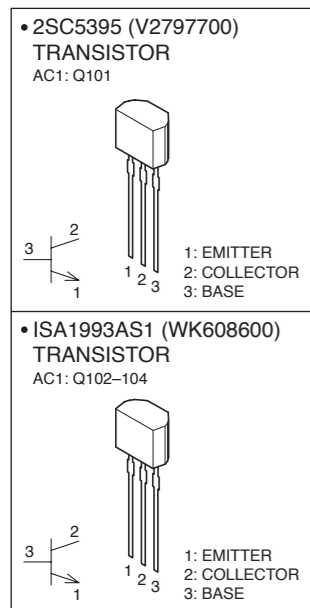
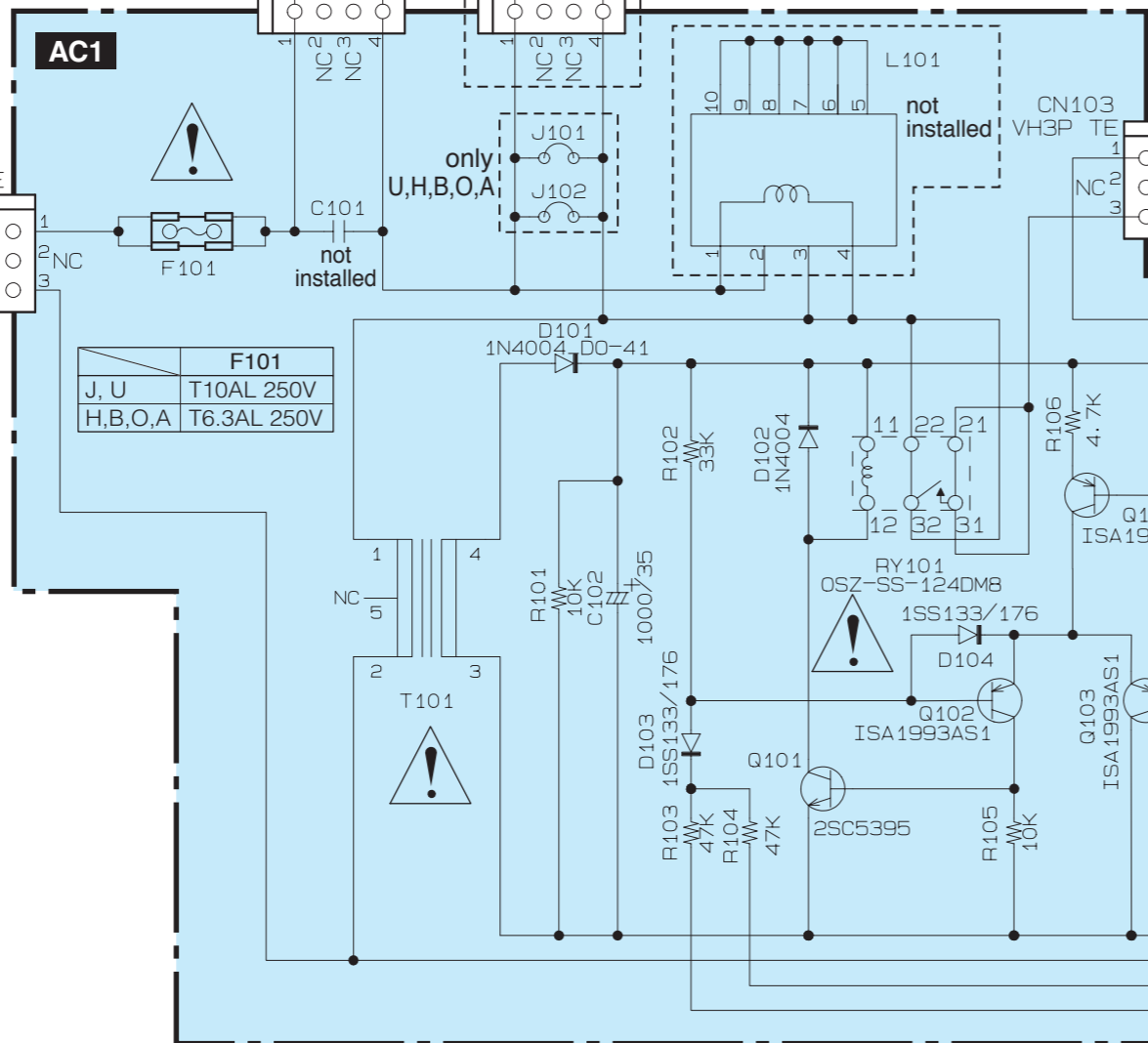
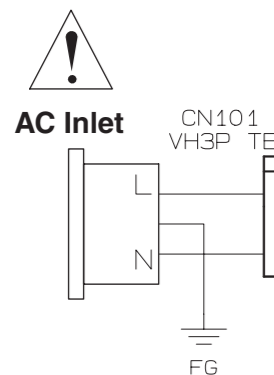
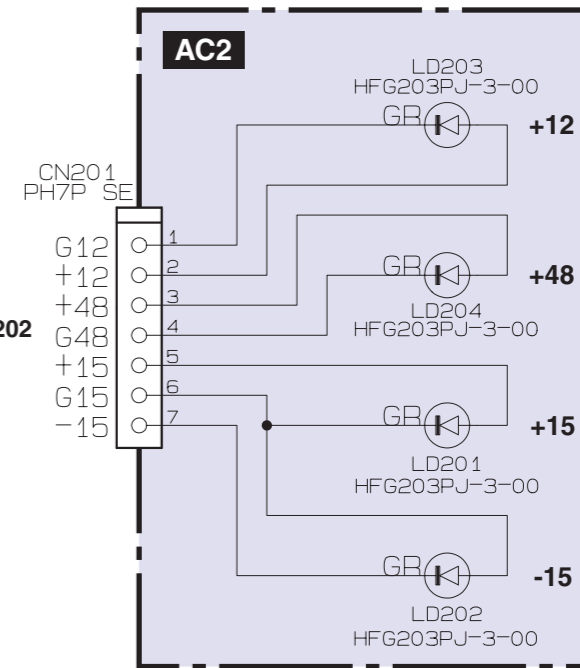
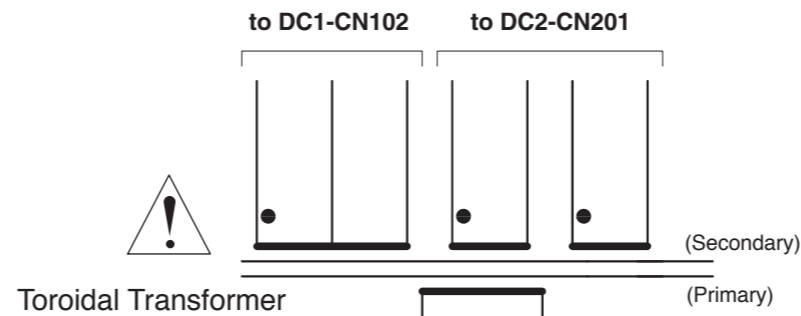
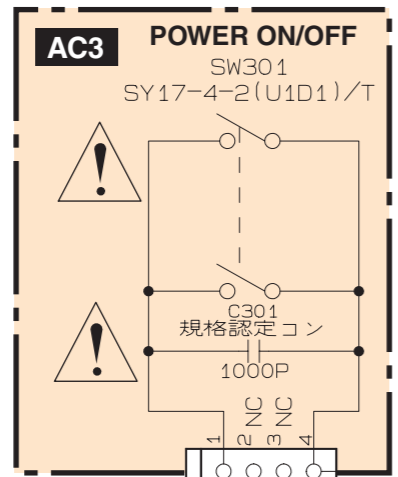
PW8



28CA1-2001032797-1 1

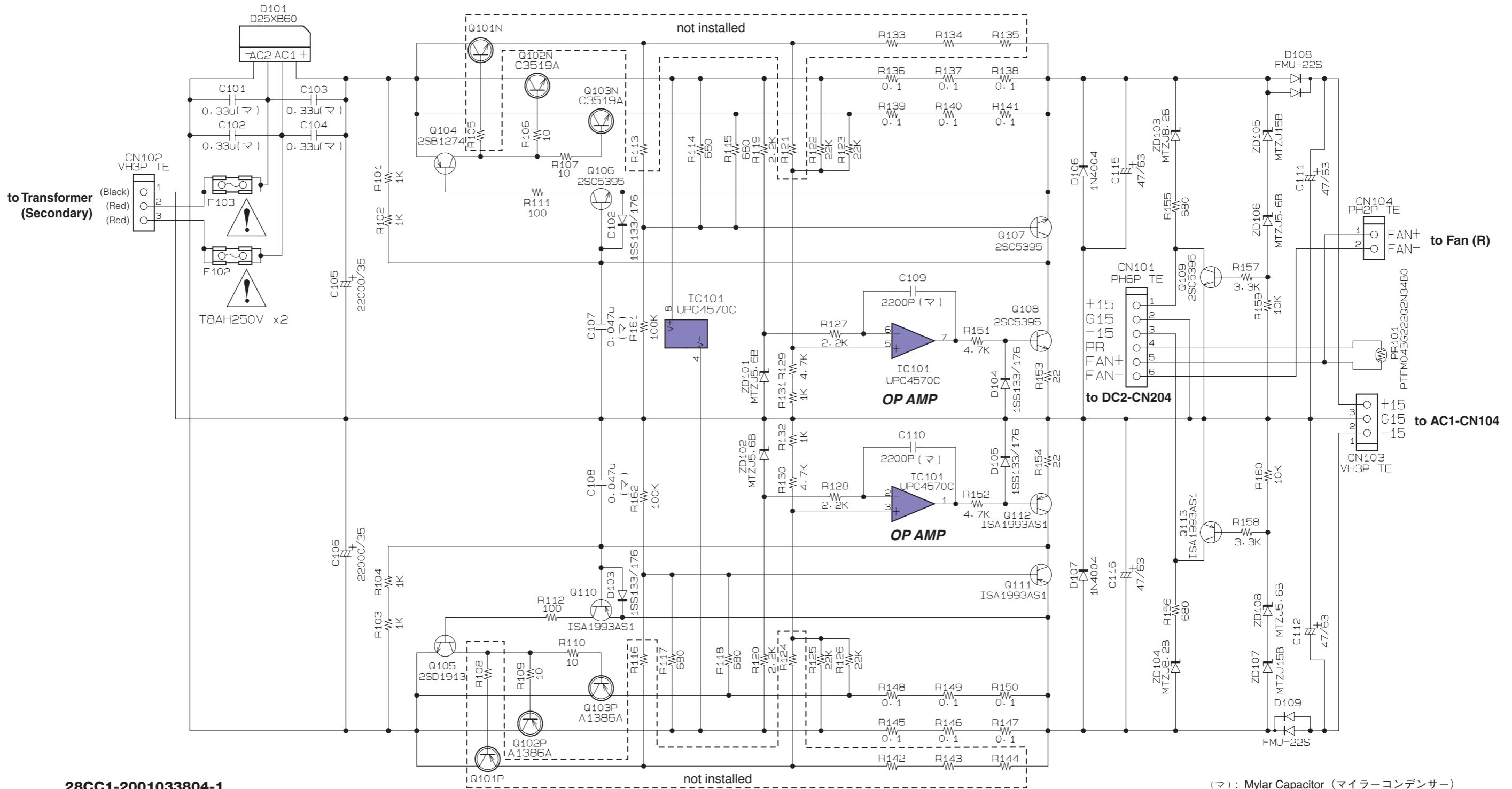
AC1, AC2, AC3 CIRCUIT DIAGRAM (PW8)

PW8



DC1 CIRCUIT DIAGRAM (PW8)

PW8



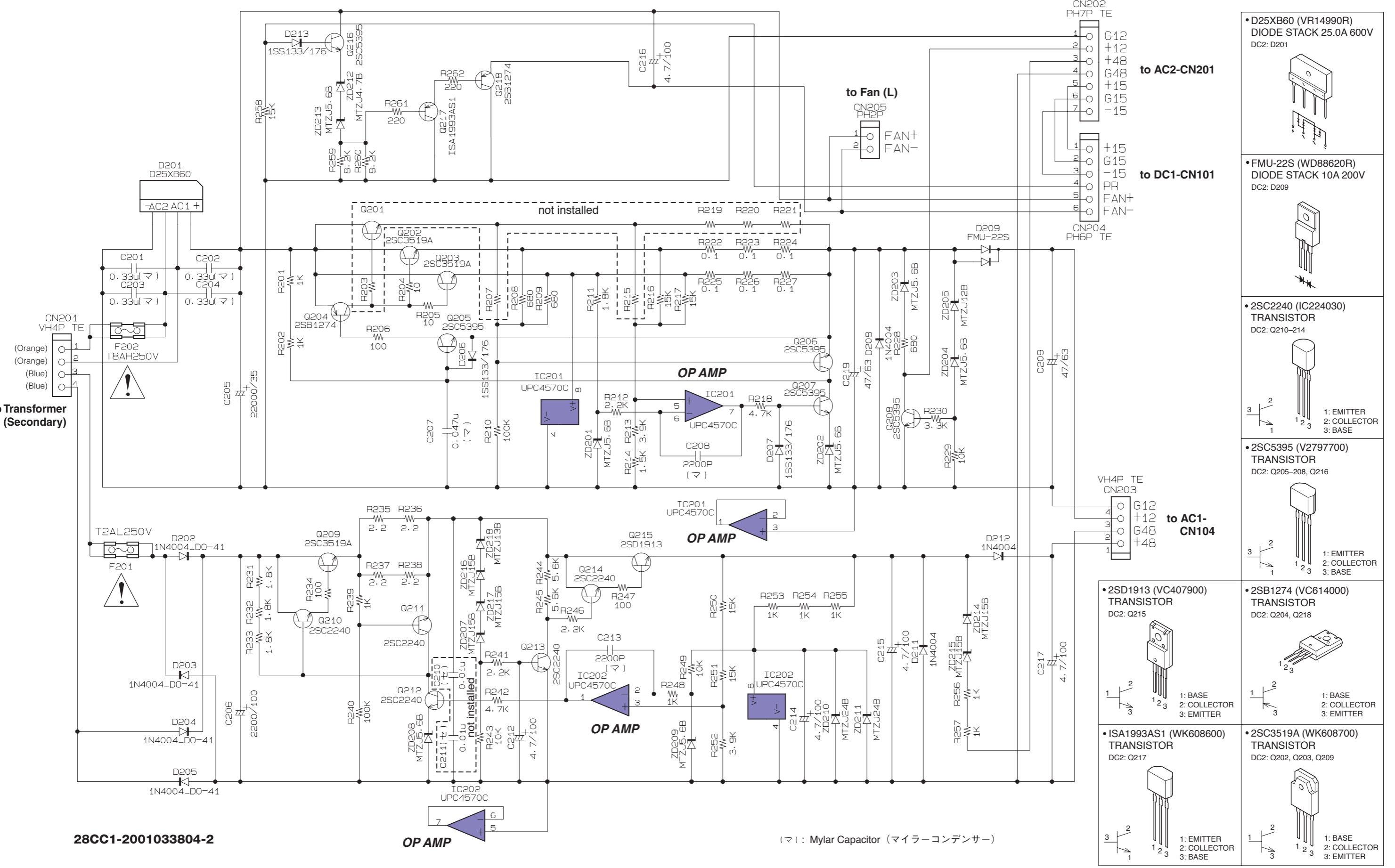
28CC1-2001033804-1

(マ) : Mylar Capacitor (マイラーコンデンサー)

<p>• D25XB60 (VR14990R) DIODE STACK 25.0A 600V DC1: D101</p>	<p>• FMU-22S (WD88620R) DIODE STACK 10A 200V DC1: D108, D109</p>	<p>• 2SC5395 (V2797700) TRANSISTOR DC1: Q106-109</p> <p>1: EMITTER 2: COLLECTOR 3: BASE</p>	<p>• 2SD1913 (VC407900) TRANSISTOR DC1: Q105</p> <p>1: BASE 2: COLLECTOR 3: EMITTER</p>	<p>• 2SB1274 (VC614000) TRANSISTOR DC1: Q104</p> <p>1: BASE 2: COLLECTOR 3: EMITTER</p>	<p>• ISA1993AS1 (WK608600) TRANSISTOR DC1: Q110-113</p> <p>1: EMITTER 2: COLLECTOR 3: BASE</p>	<p>• 2SA1386A/2SC3519A (V5611000) PAIR TRANSISTOR DC1: Q102N, Q102P, Q103N, Q103P</p> <p>1: BASE 2: COLLECTOR 3: EMITTER</p>
--	--	---	---	---	--	--

DC2 CIRCUIT DIAGRAM (PW8)

PW8



- D25XB60 (VR14990R) DIODE STACK 25.0A 600V
DC2: D201
- FMU-22S (WD88620R) DIODE STACK 10A 200V
DC2: D209
- 2SC2240 (IC224030) TRANSISTOR
DC2: Q210-214
- 2SC5395 (V2797700) TRANSISTOR
DC2: Q205-208, Q216
- 2SD1913 (VC407900) TRANSISTOR
DC2: Q215
- 2SB1274 (VC614000) TRANSISTOR
DC2: Q204, Q218
- ISA1993AS1 (WK608600) TRANSISTOR
DC2: Q217
- 2SC3519A (WK608700) TRANSISTOR
DC2: Q202, Q203, Q209

28CC1-2001033804-2

(マ) : Mylar Capacitor (マイラーコンデンサー)

POWER SUPPLY LINK CABLE

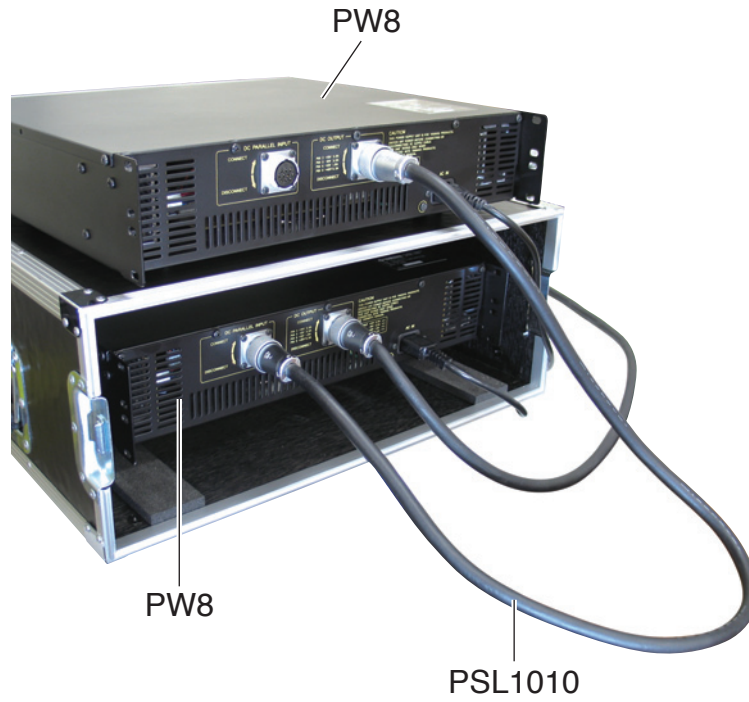
PSL1010

PARTS LIST

Notes : DESTINATION ABBREVIATIONS

A : Australian model	M : South African model
B : British model	O : Chinese model
C : Canadian model	Q : South-east Asia model
D : German model	T : Taiwan model
E : European model	U : U.S.A. model
F : French model	V : General export model (110V)
H : North European model	W : General export model (220V)
I : Indonesian model	N,X: General export model
J : Japanese model	Y : Export model
K : Korean model	

- The numbers "QTY" show quantities for each unit.
- The parts with "--" in "PART NO." are not available as spare parts.
- This mark "}" in the REMARKS column means these parts are interchangeable.
- The second letter of the shaded (■) part number is O, not zero.
- The second letter of the shaded (■) part number is I, not one.
- 部品価格ランクは、変更になることがあります。
- QTY 欄に記されている数字は、各ユニット当たりの使用個数です。
- PART NO. が "--" の部品は、サービス用部品として準備されておりません。
- REMARKS 欄の 「}」 マークの部品は、併用部品です。
- 網掛けの付いた PART NO. の 2 番目の文字は「ゼロ」ではなく、「オー」です。
- 網掛けの付いた PART NO. の 2 番目の文字は「イチ」ではなく、「アイ」です。



■ PARTS LIST (パーツリスト)

REF NO.	PART NO.	DESCRIPTION		部 品 名	REMARKS	QTY	RANK
* 20	-- WM500100	COMPLETE ASSEMBLY COMPLETE ASSEMBLY POWER SUPPLY CABLE	Y MH(S)	同 梱 品 セ ッ ト 同 梱 品 セ ッ ト 電 源 ケ ー ブ ル	PSL1010 (WM95160)		

*: New Parts

RANK: Japan only